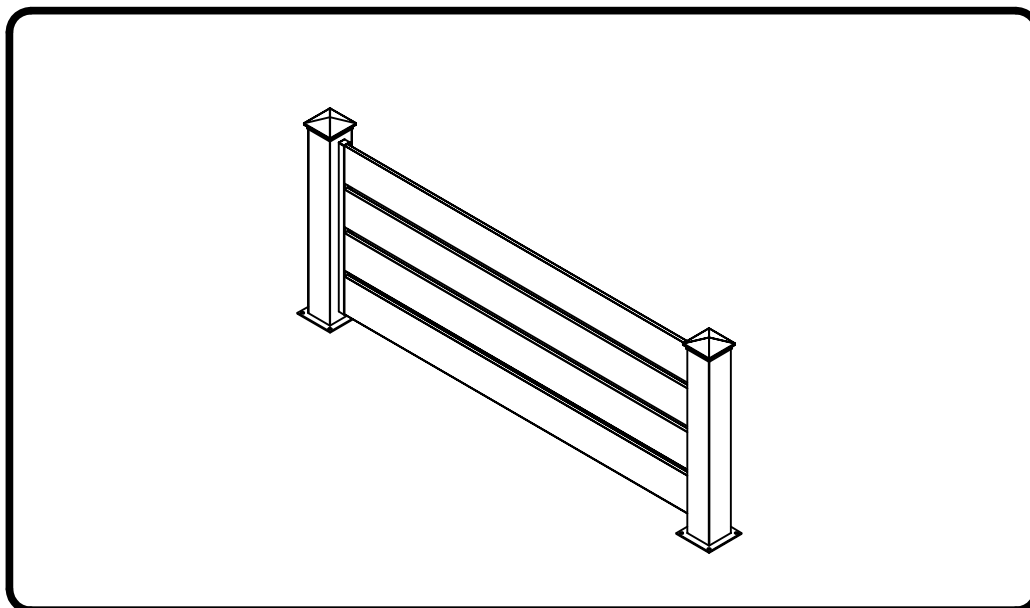


# CASANCOV

## CLOTURE VOGEL 190H90



2-3H



x2

STI-000079

[x1]

FR

EN

ES

DE

IT

NL

PL

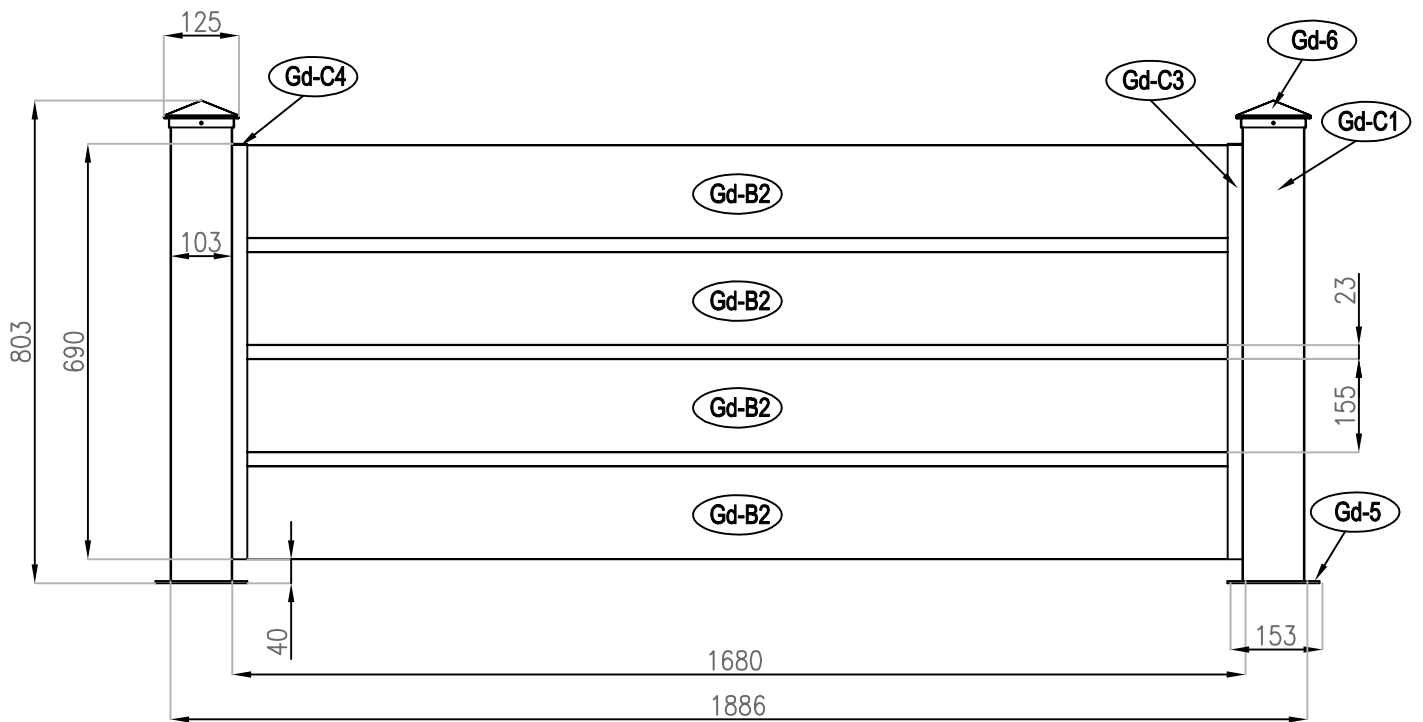
PT












FI




SE

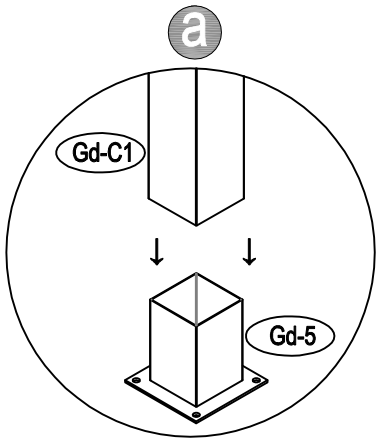
DK



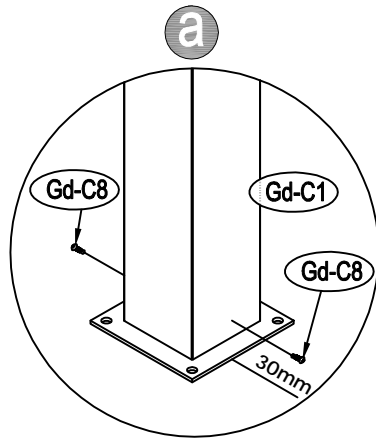


Gd-C1		769mm	x2	1/1
Gd-B2		1665mm	x4	1/1
Gd-C3		689mm	x2	1/1
Gd-C4		689mm	x2	1/1
Gd-8		23mm	x6	1/1
Gd-5		153X153mm	x2	1/1
Gd-6		125X125mm	x2	1/1
Gd-7		M10x60mm	x8	1/1
Gd-L		27x25mm	x1	1/1
Gd-R		27x25mm	x1	1/1
Gd-C8		ST5x16mm	x12	1/1
Gd-C9		ST4x13mm	x20	1/1
Gd-20			x8	1/1

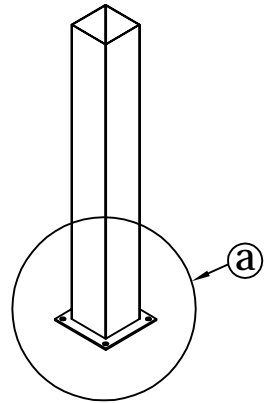
<b>1</b>	 Gd-C1 [x2]	 Gd-5 [x2]	 Gd-C8 [x4]	
----------	---	--	---	--




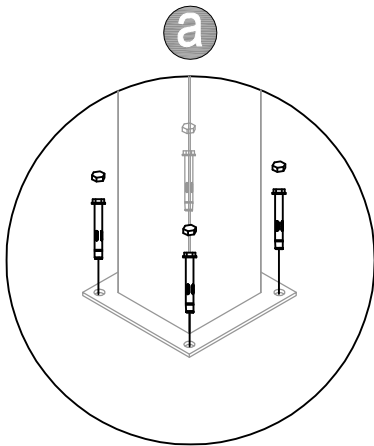
X2



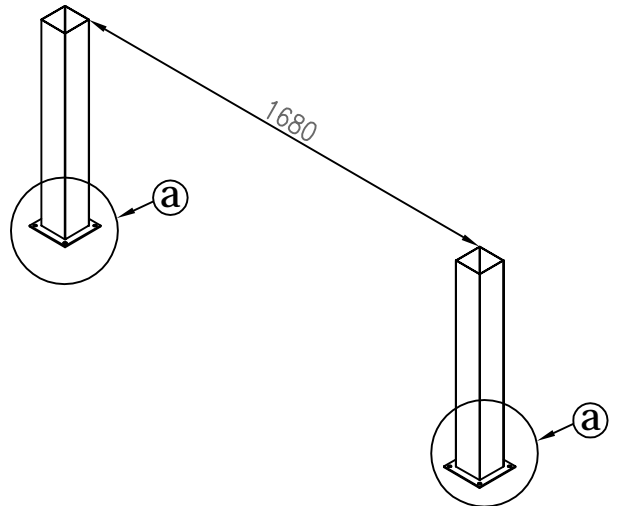
X2



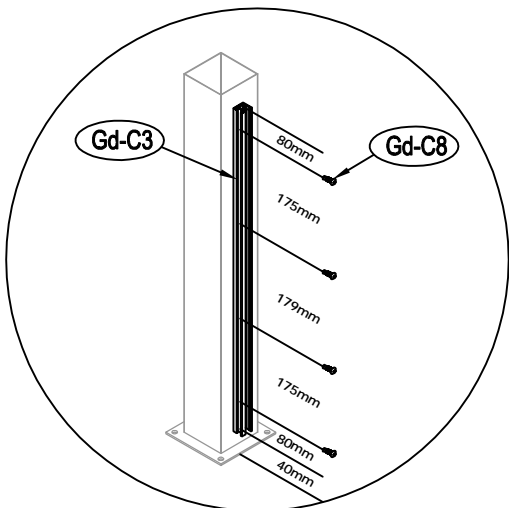
<b>2</b>	 Gd-7 [x8]	 Gd-20 [x8]		
----------	--	---	--	--



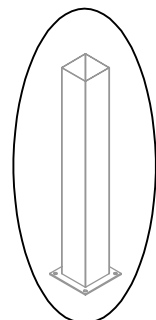
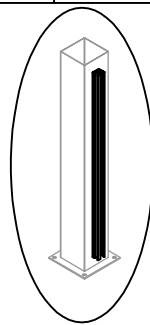
X2



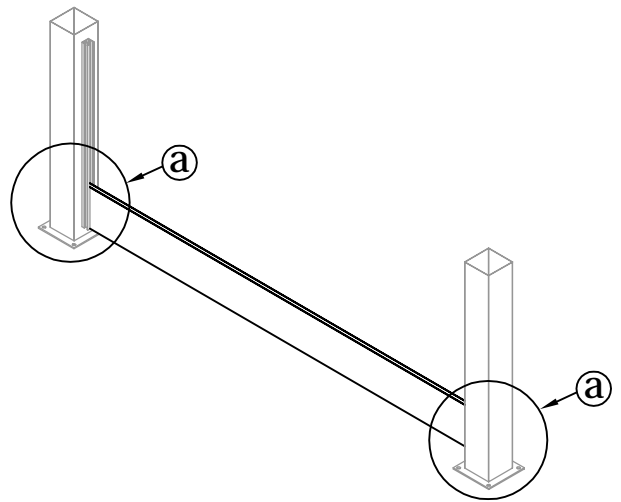
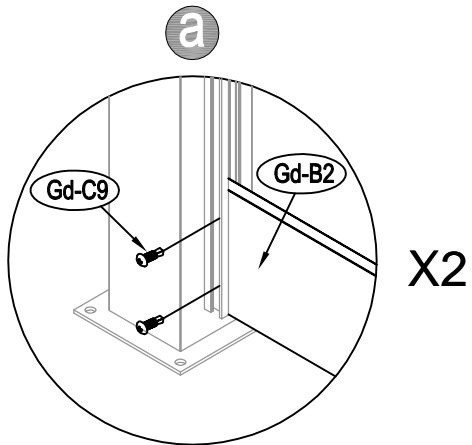
<b>3</b>	 Gd-C3 [x2]	 Gd-C8 [x8]		
----------	---	---	--	--



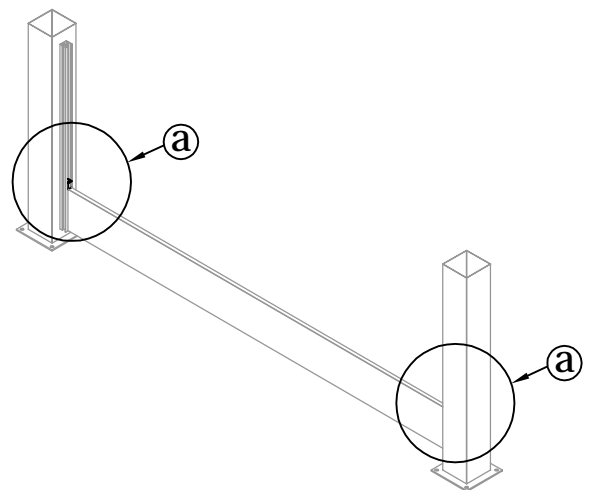
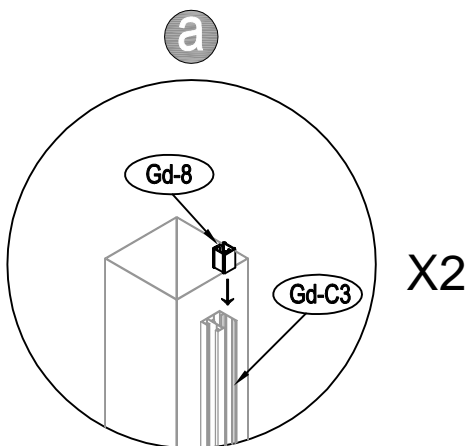
X2






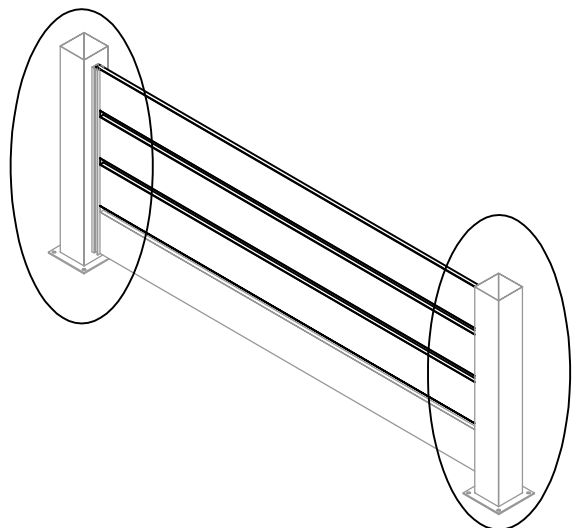
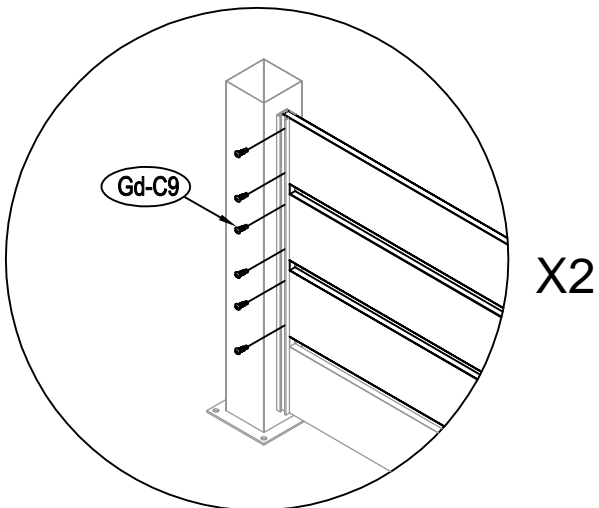
4	 Gd-B2 [x1]	 Gd-C9[x4]		
---	---	--	--	--



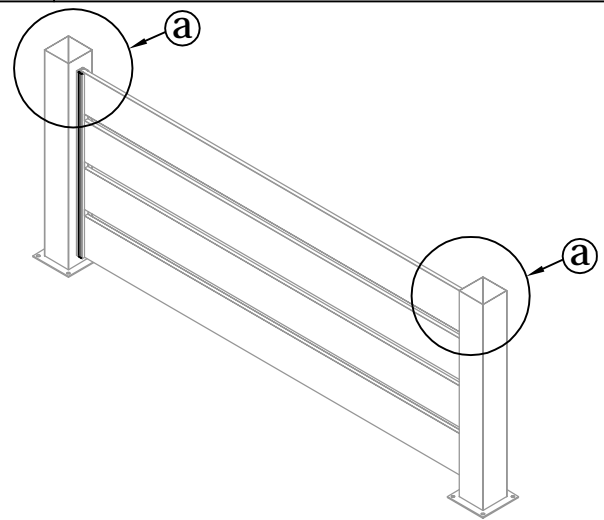
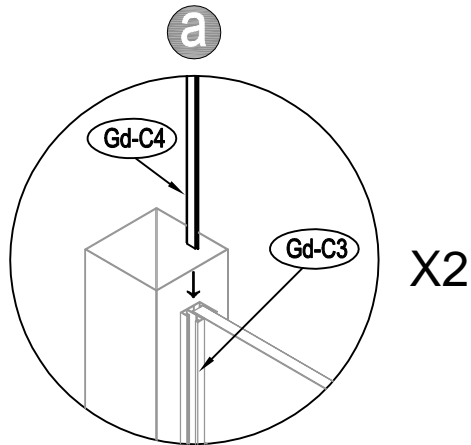
5	 Gd-8 [x2]			
---	--	--	--	--




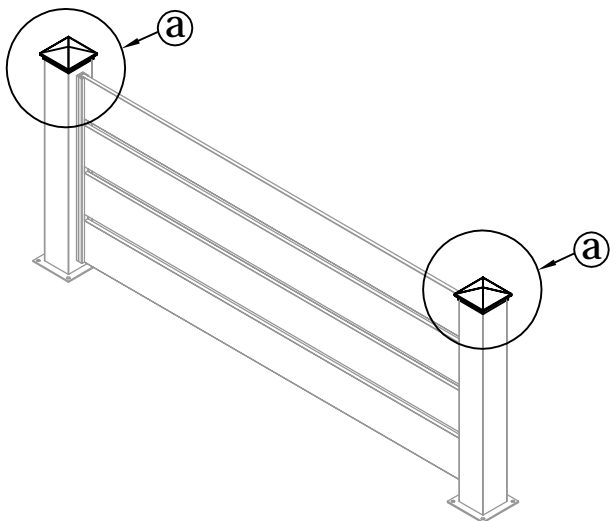
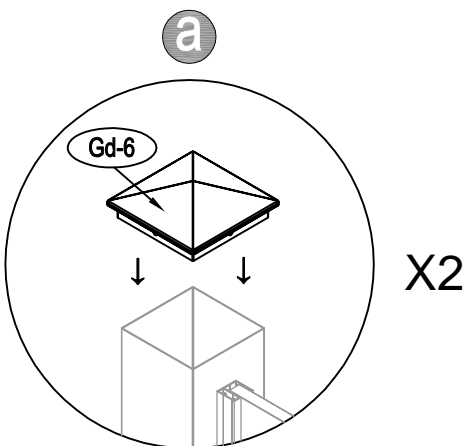
6	 Gd-B2 [x3]	 Gd-C9[x12]	 Gd-8 [x4]	
---	---	---	--	--




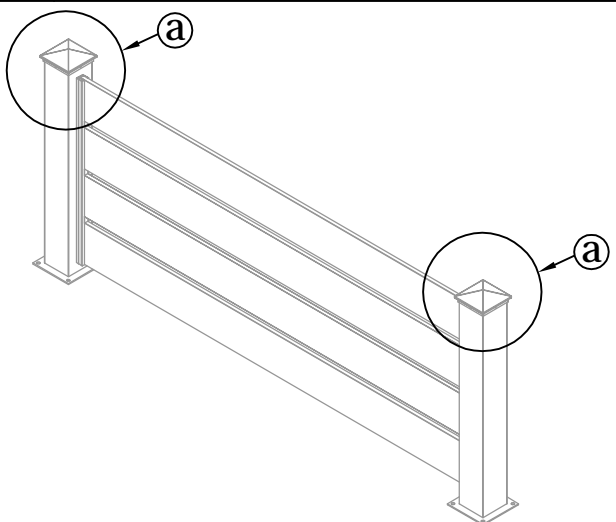
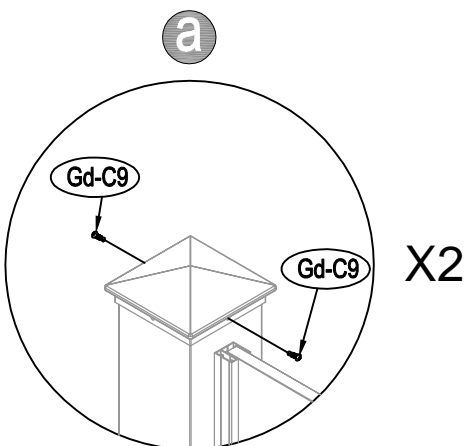
7	 Gd-C4 [x2]			
---	---	--	--	--



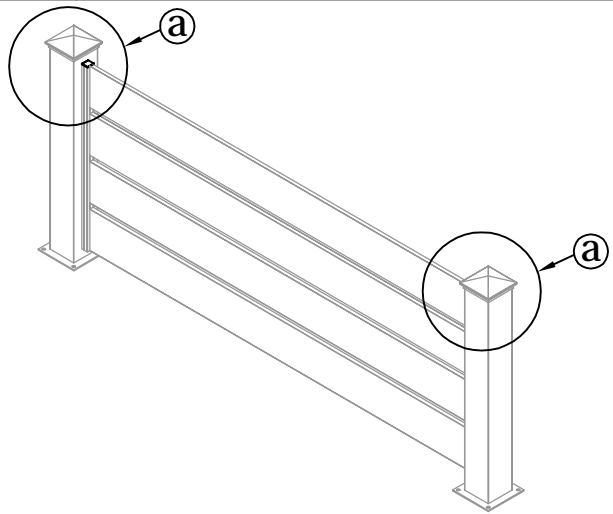
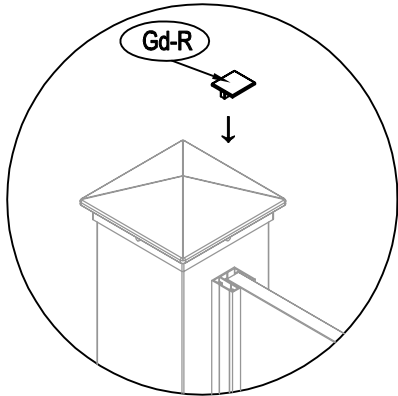
8	 Gd-6 [x2]			
---	--	--	--	--



9	 Gd-C9 [x4]			
---	---	--	--	--

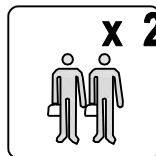
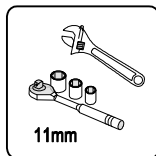
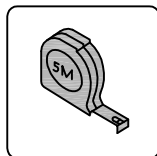
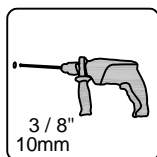
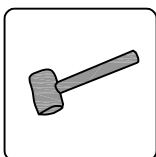
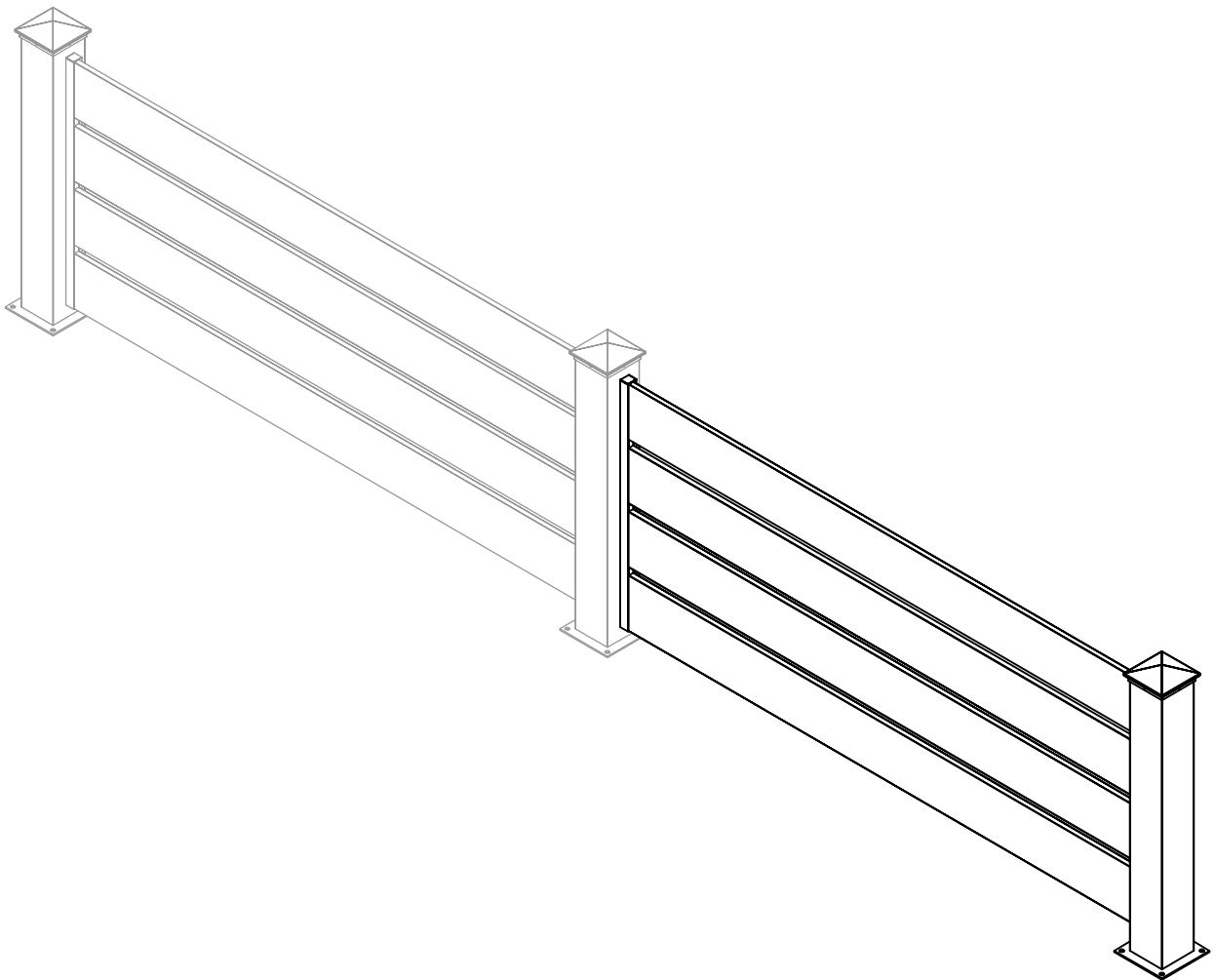





10	 Gd-L [x1]	 Gd-R [x1]		
----	--	--	--	--

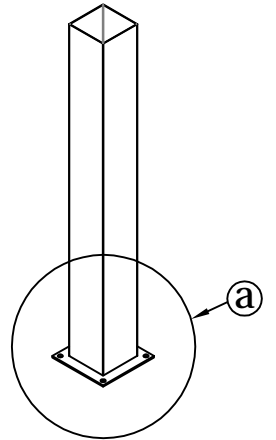
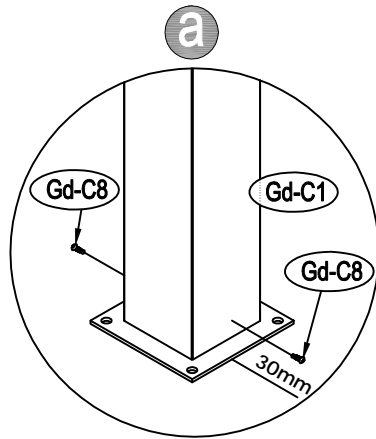
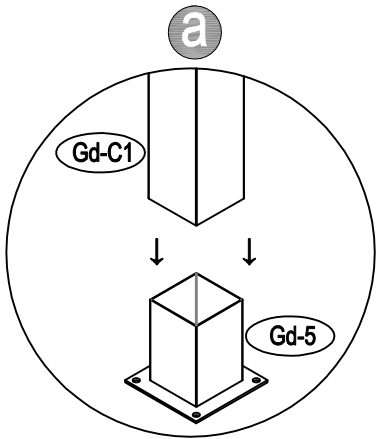


# CLOTURE VOGEL 190H90

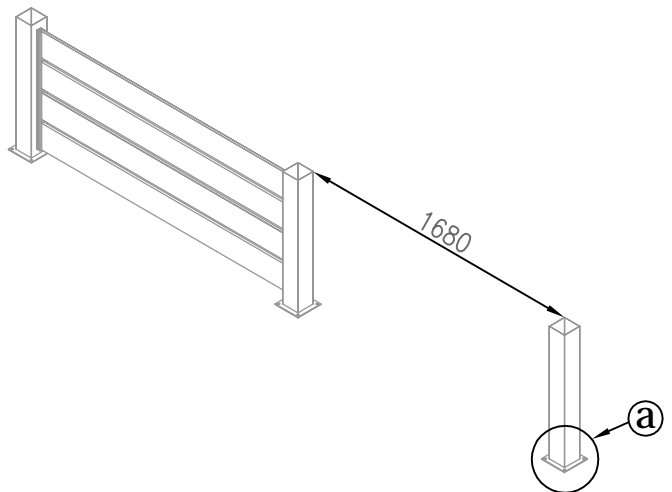
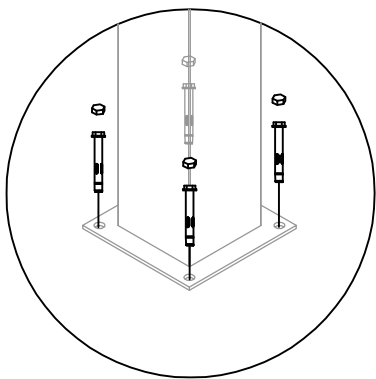
Multi-length / Multi-longueur / Mehrsprachig / Multi-longitud / Multi-comprimento /  
Multi-lunghezza / Multi-lengte / Wieloczęściowy

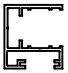



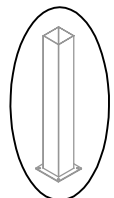
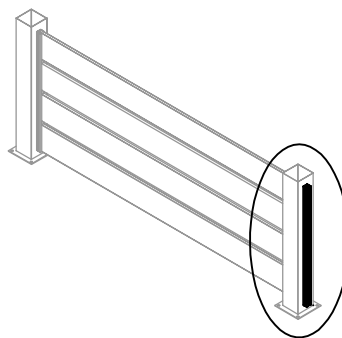
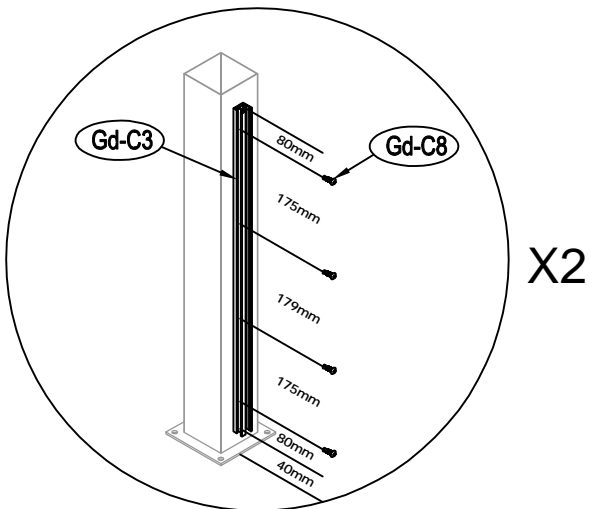
1	 Gd-C1 [x1]	 Gd-5 [x1]	 Gd-C8 [x2]	
---	---	--	---	--



2	 Gd-7 [x4]	 Gd-20 [x4]		
---	--	---	--	--

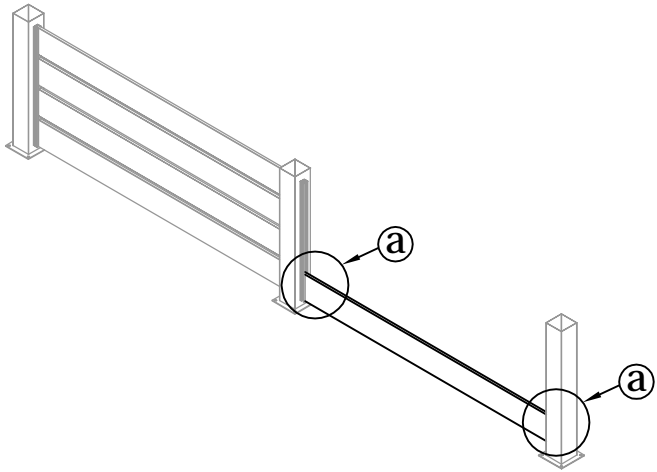
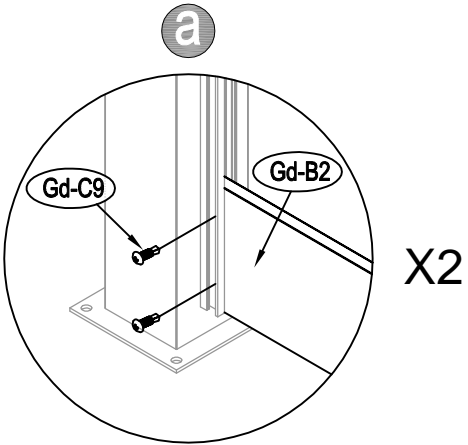


3	 Gd-C3 [x2]	 Gd-C8 [x8]		
---	---	---	--	--

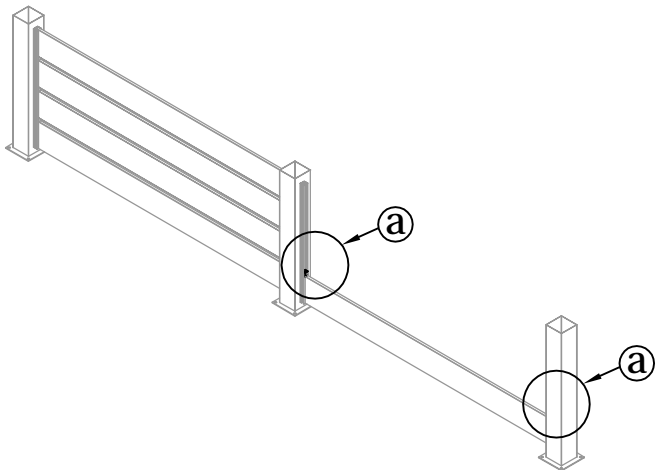
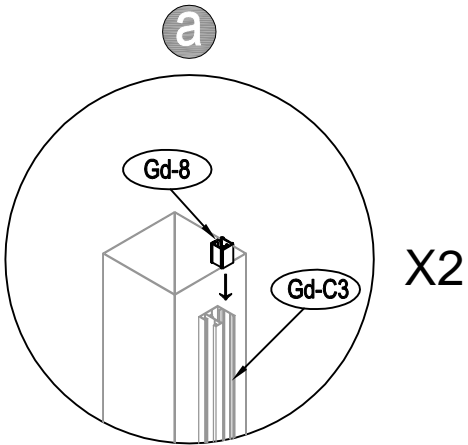







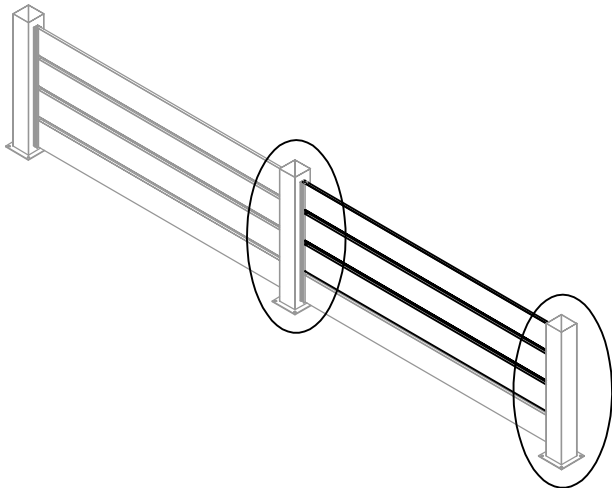
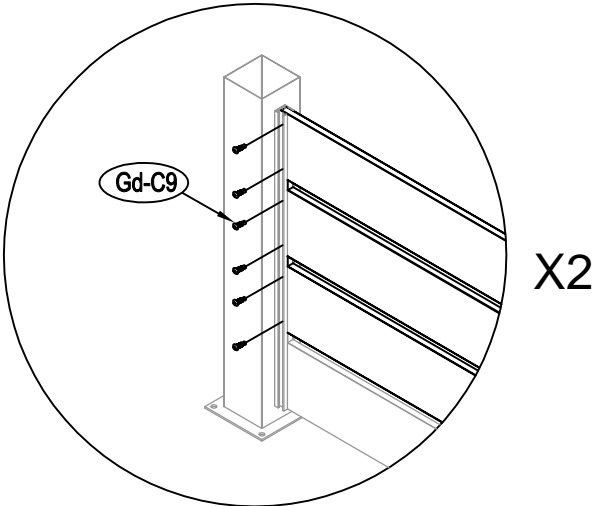
<b>4</b>	 Gd-B2 [x1]	 Gd-C9[x4]		
----------	---	--	--	--



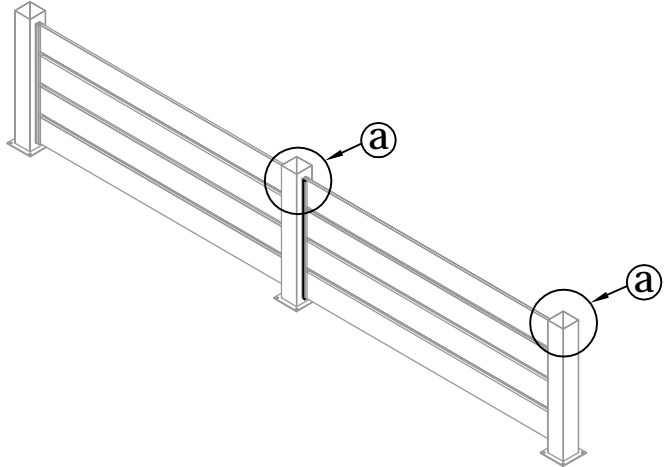
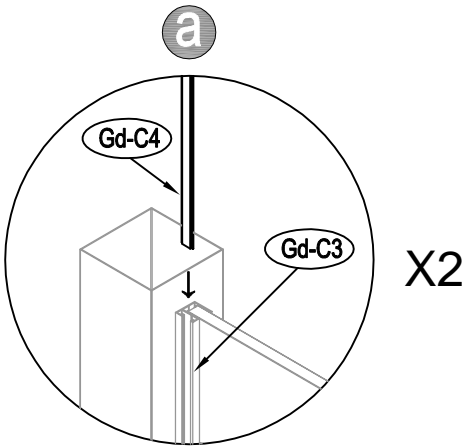
<b>5</b>	 Gd-8 [x2]			
----------	--	--	--	--



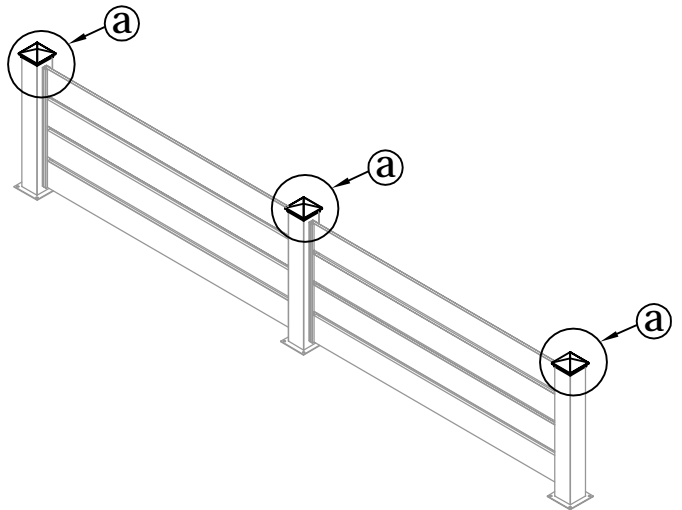
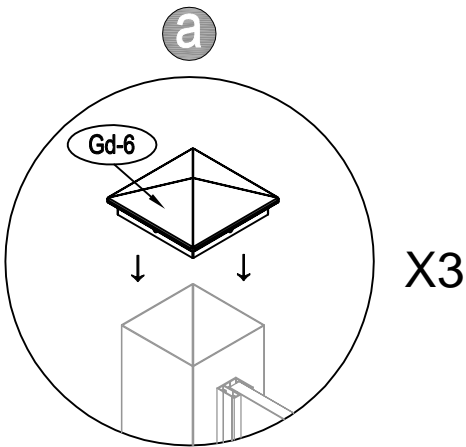
<b>6</b>	 Gd-B2 [x3]	 Gd-C9[x12]	 Gd-8 [x4]	
----------	---	---	--	--



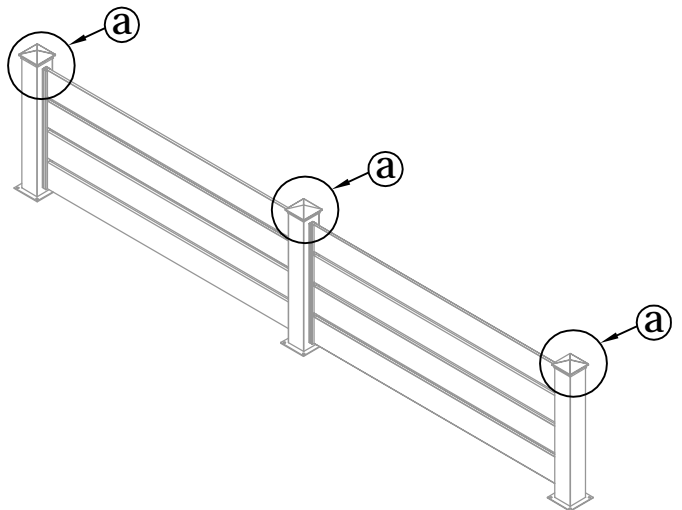
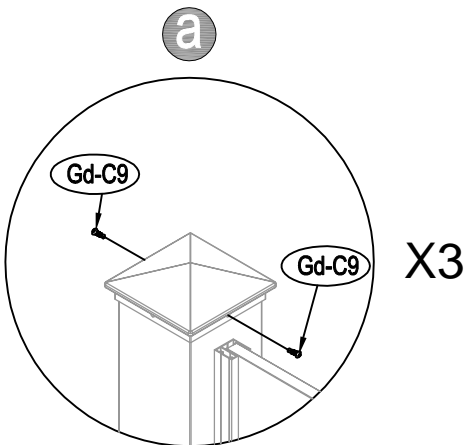
<b>7</b>				
	Gd-C4 [x2]			



<b>8</b>				
	Gd-6 [x3]			



<b>9</b>				
	Gd-C9 [x6]			



10	 Gd-L [x2]	 Gd-R [x2]		
----	--	--	--	--

