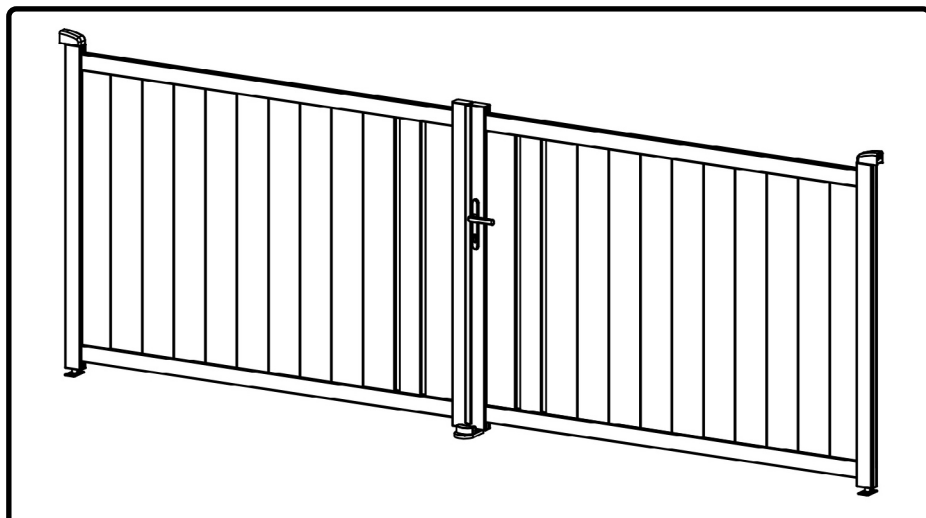


# CASANOVO

## GIONA 400B140



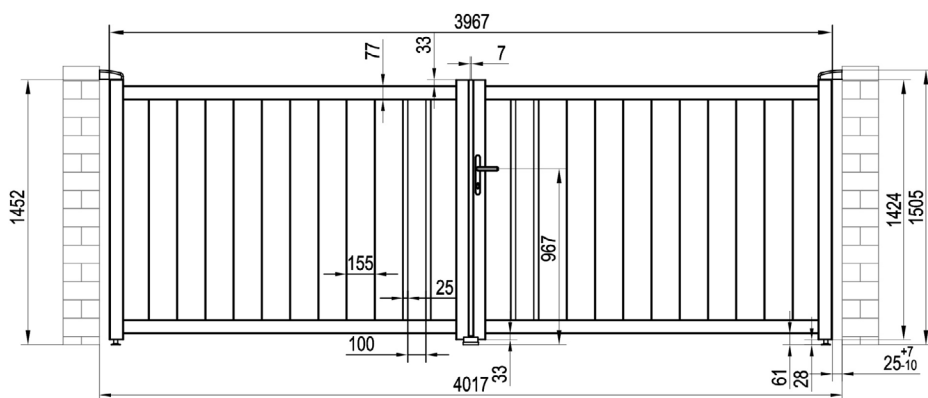
COM-001142 [x1]

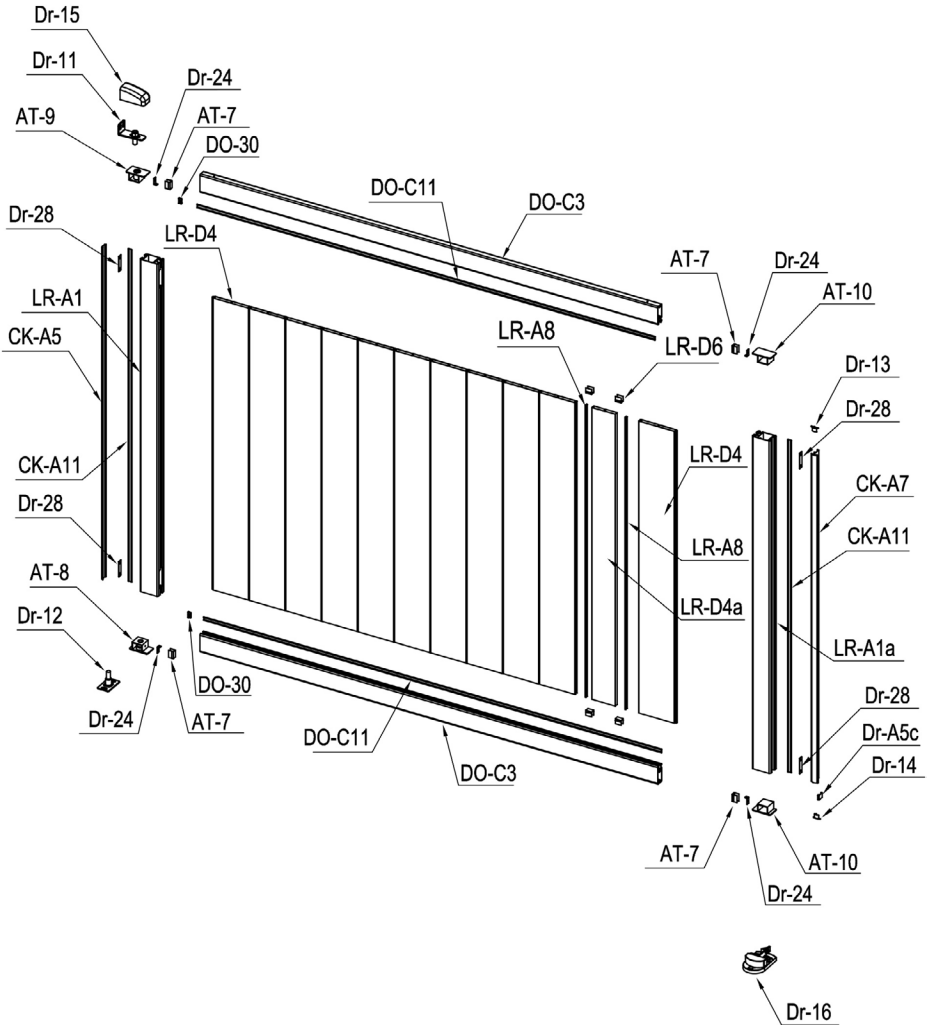
COM-001144 [x1]

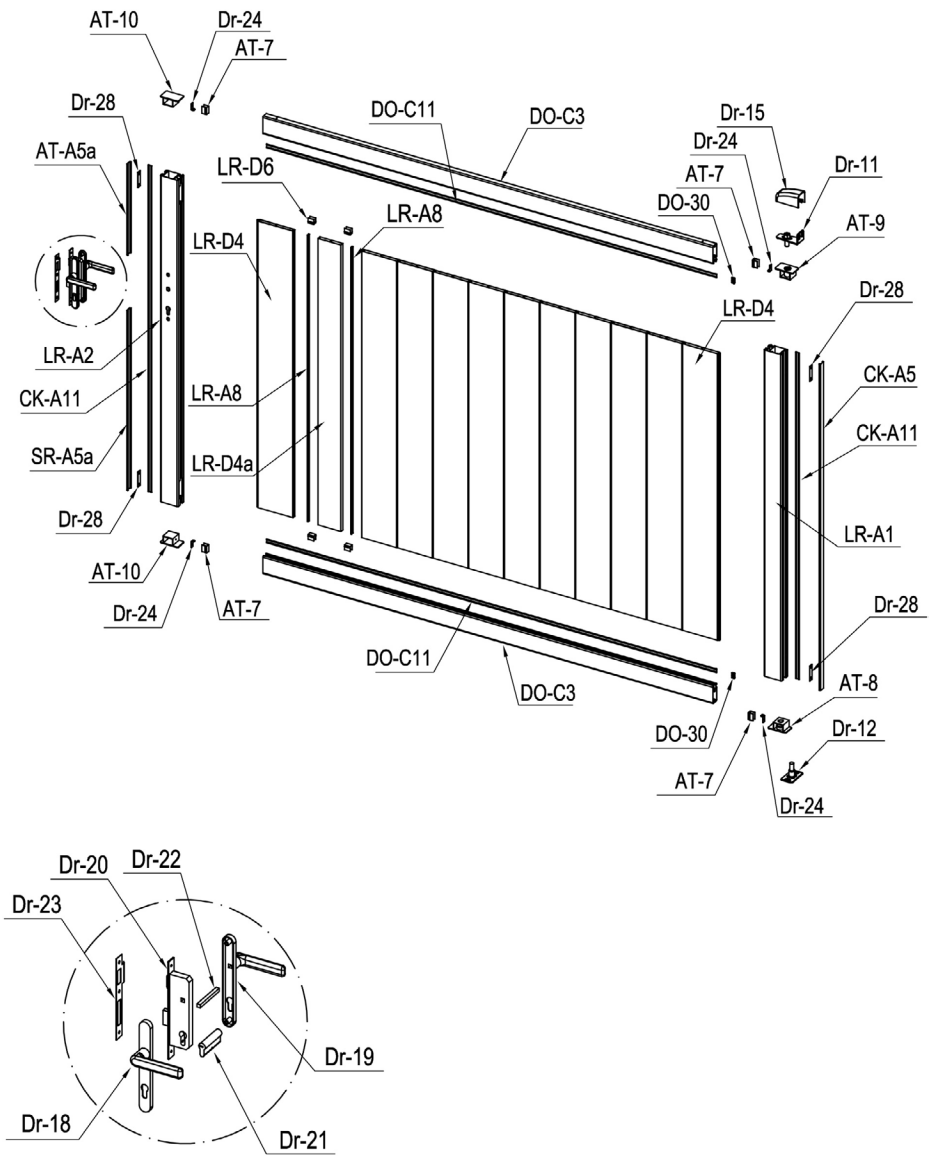
COM-001143 [x1]



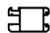





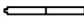




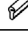



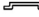













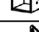


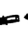


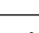




INSTRUCTION MANUAL / NOTICE DE MONTAGE / MONTAGEANLEITUNG / MANUAL DE MONTAJE / MANUAL DE MONTAGEM / MANUALE DI MONTAGGIO /  
MONTAGEHANDLEIDING / INSTRUKCJA MONTAŻU / KÄYTTÖOHJEET / BRUKSANVISNING / BRUGSANVISNING / INSTRUCȚIUNI DE ASAMBLARE /  
NAVODILA ZA SESTAVLJANJE / NÁVOD NA MONTÁŽ / ÖSSZESZERELÉSI ÚTMUTATÓ / NÁVOD K MONTÁŽI / UPUTE ZA INSTALACIJU /  
ΟΔΗΓΙΕΣ ΣΥΝΑΡΜΟΛΟΓΗΣΗΣ / SURINKIMO INSTRUKCIJOS / MONTĀŽAS INSTRUKCIJAS

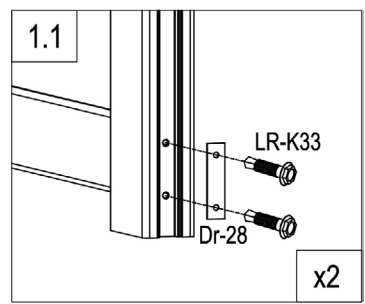
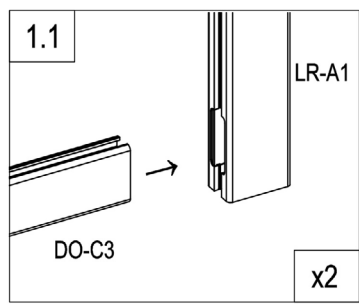
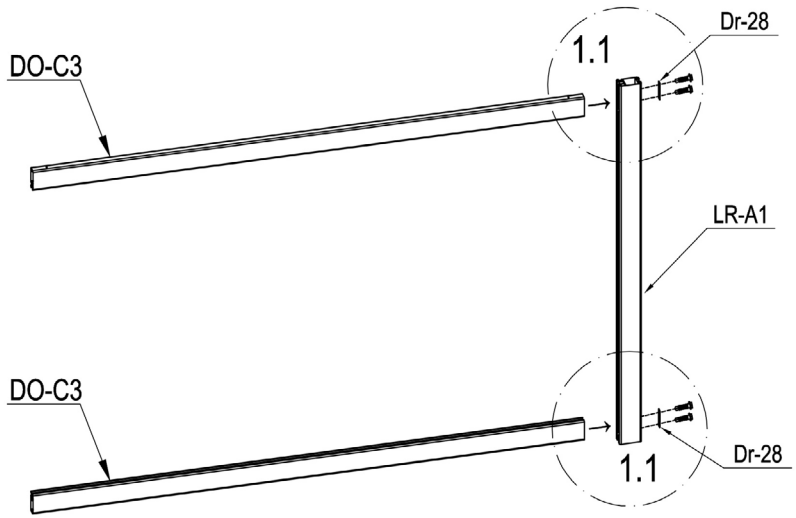



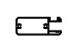




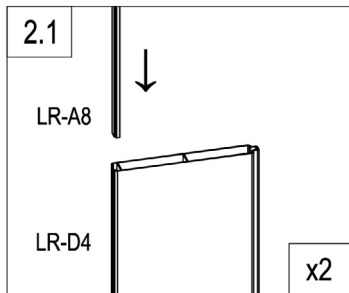
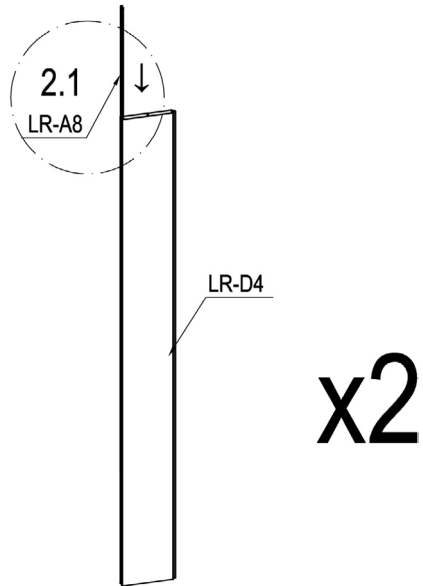



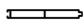
## PART LIST

IMAGE	NO.	L.(mm)	QTY	IMAGE	NO.	L.(mm)	QTY
	LR-A1	1418	2		Dr-17		2
	LR-A1a	1418	1		Dr-31		4
	LR-A2	1418	1		DO-30		4
	DO-C3	1957	4		Dr-18		1
	LR-D4	1245	22		Dr-19		1
	LR-D4a	1245	2		Dr-20		1
	CK-A5	1418	2		Dr-21		1
	AT-A5a	395.5	1		Dr-22		1
	SR-A5a	937	1		Dr-23		1
	Dr-A5c	19.5	1		Dr-25		1
	CK-A11	1418	4		Dr-25a		2
	DO-C11	1957	4		Dr-26		3
	AT-7	29.5	8		Dr-27		2
	LR-D6	25	8		Dr-24		8
	LR-A8	1245	4		Dr-28		8
	CK-A7	1398	1		LR-K30	ST4x10	8
	AT-8		2		LR-K31	ST4.2x13	56
	AT-9		2		LR-K32	M8x60	12
	AT-10		4		LR-K33	ST5.5x38	16
	Dr-11		2		LR-K34	ST6x40	3
	Dr-12		2		LR-K35	Ø6	3
	Dr-13		1		LR-K36	ST4.8x38	8
	Dr-14		1				
	Dr-15		2				
	Dr-16		1				

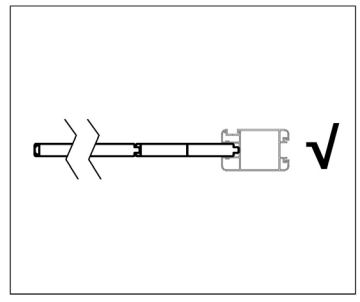
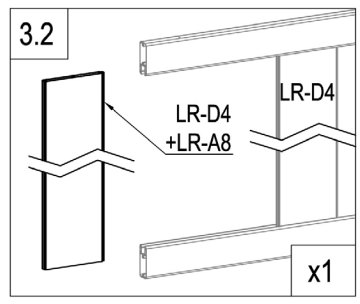
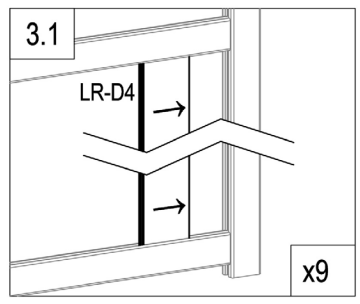
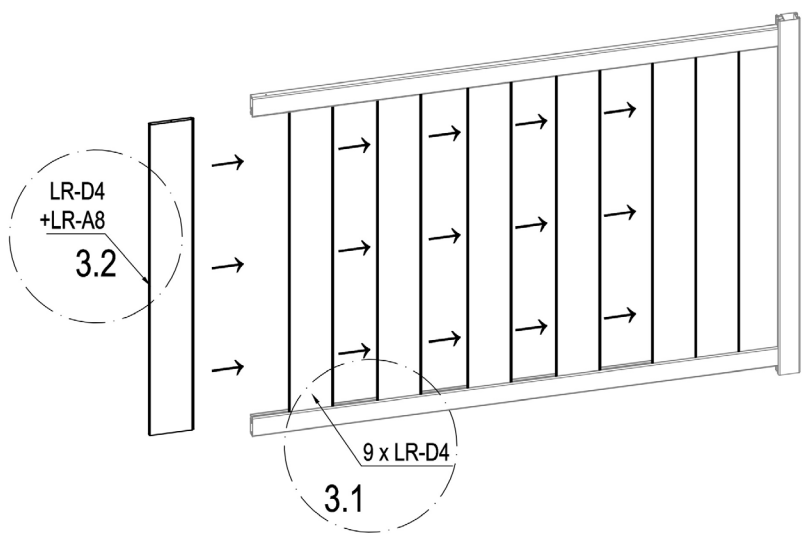


	LR-A1	1
	DO-C3	2
	Dr-28	2
	LR-K33	4



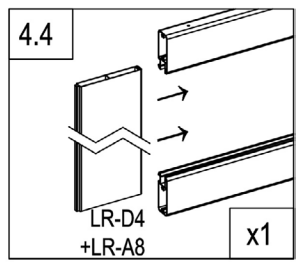
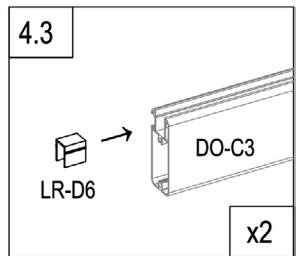
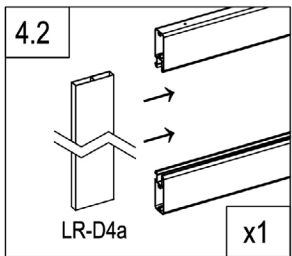
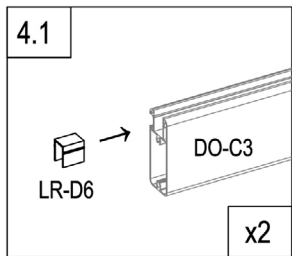
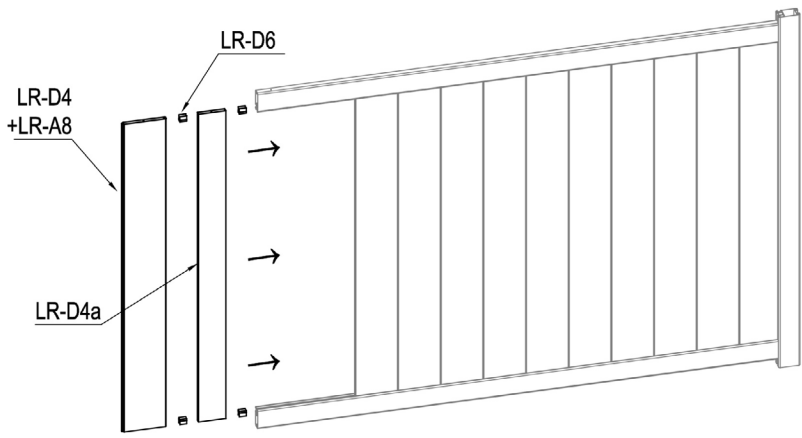
	LR-A8	2
	LR-D4	2



# CASANOVO

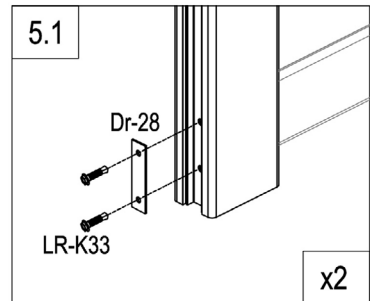
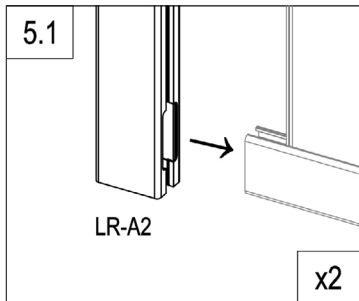
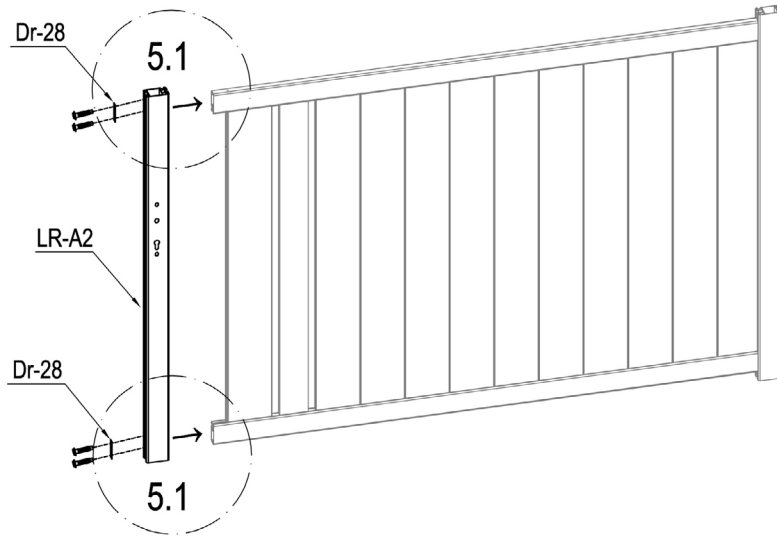


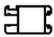


	LR-D4	9
---	-------	---

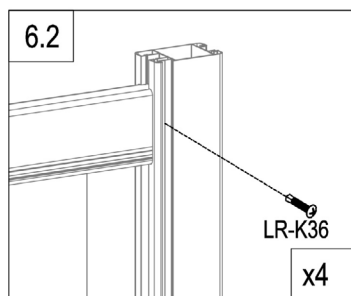
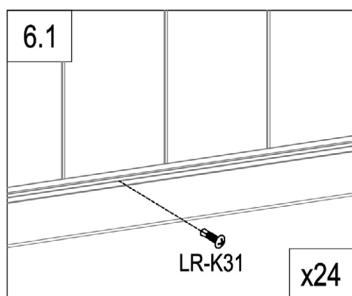
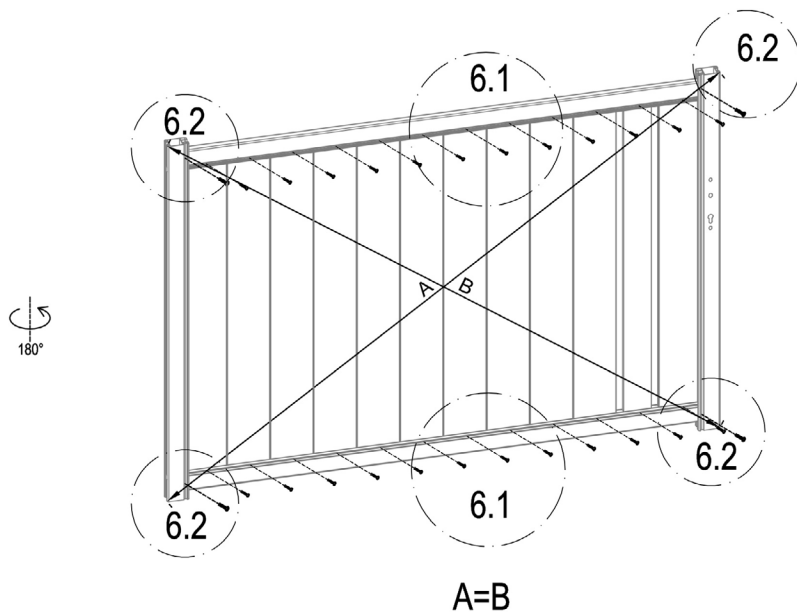






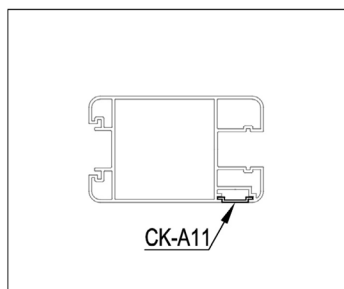
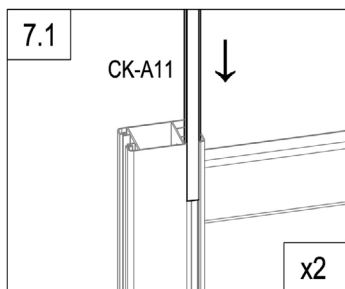
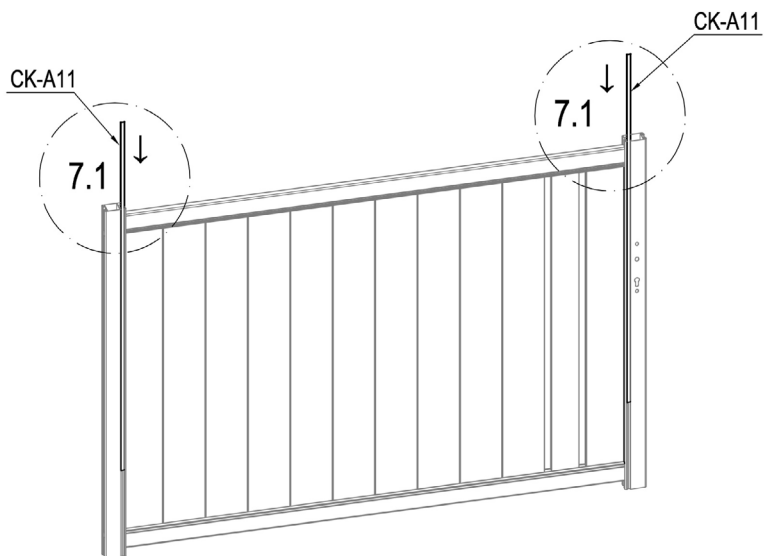
	LR-D4a	1
	LR-D6	4




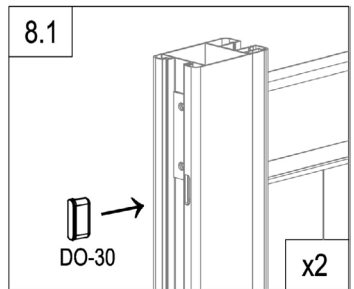
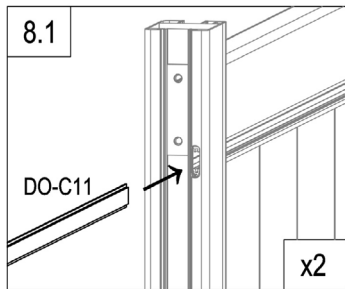
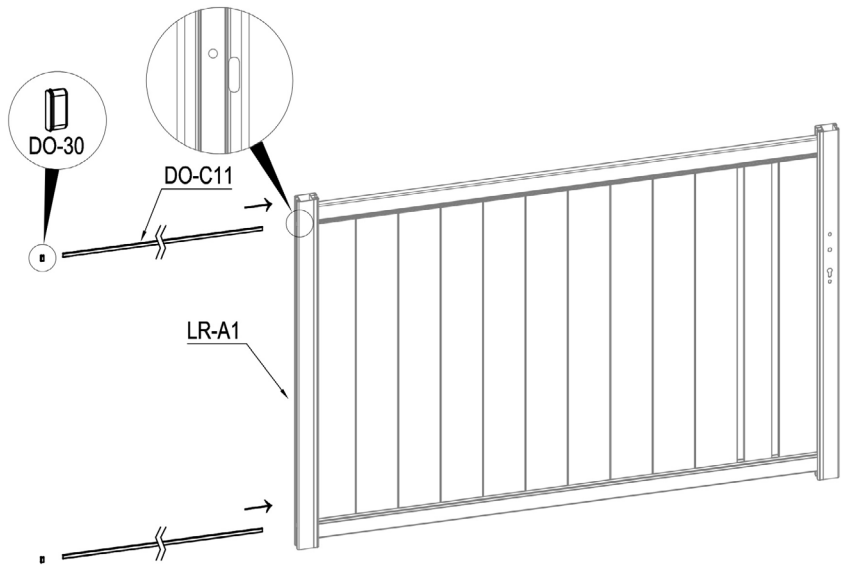
	LR-A2	1
	Dr-28	2
	LR-K33	4





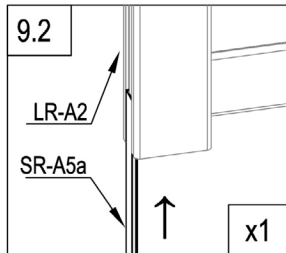
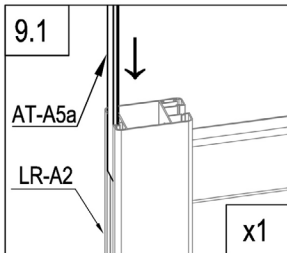
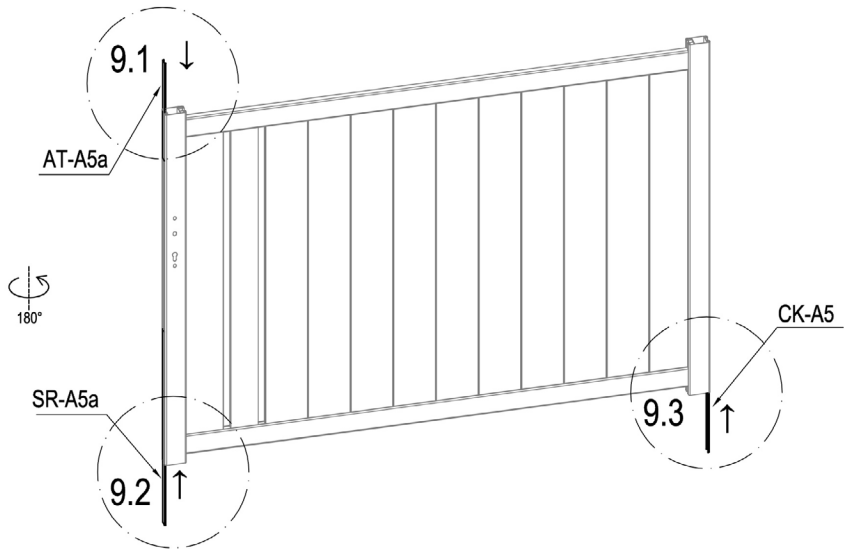
	LR-K31	24
	LR-K36	4




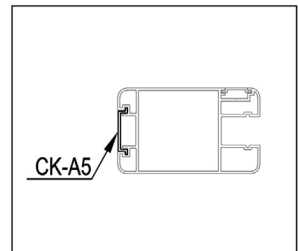
	CK-A11	2
---	--------	---

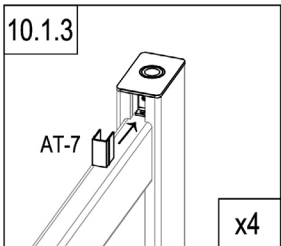
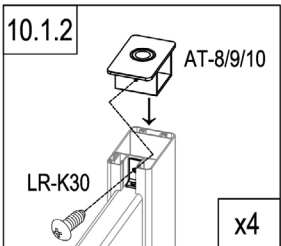
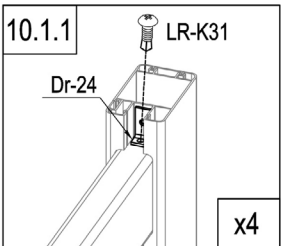
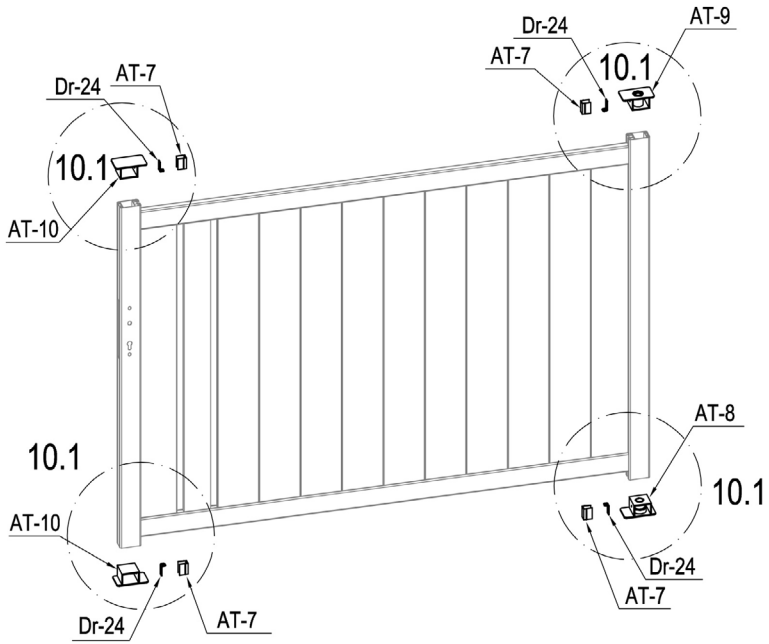


	DO-C11	2
	DO-30	2



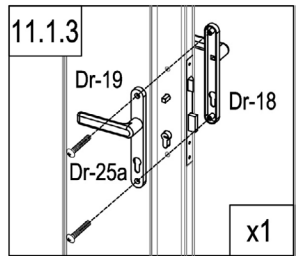
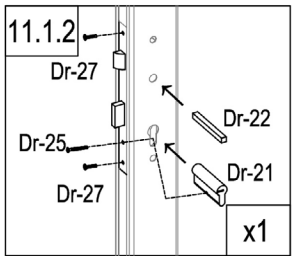
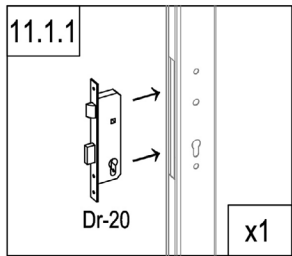
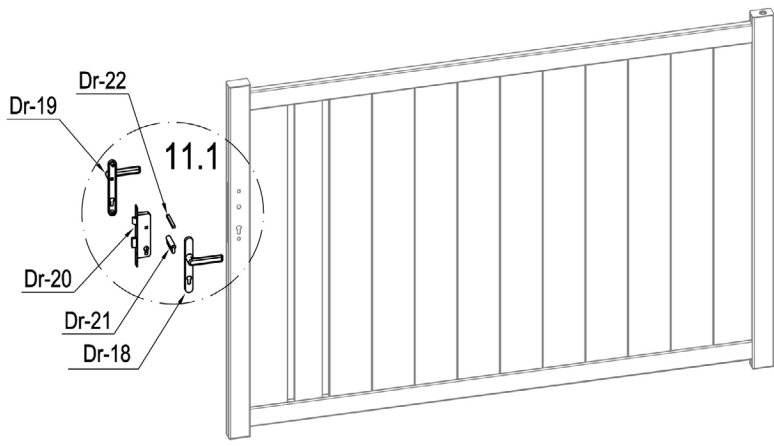
	CK-A5	1
	AT-A5a	1
	SR-A5a	1





	AT-8	1
	AT-9	1
	AT-10	2
	Dr-24	4

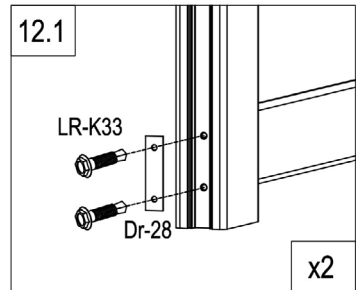
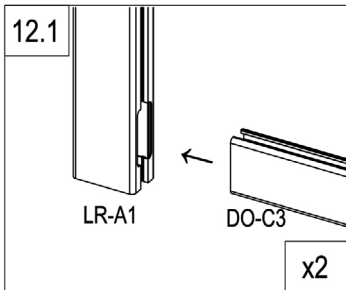
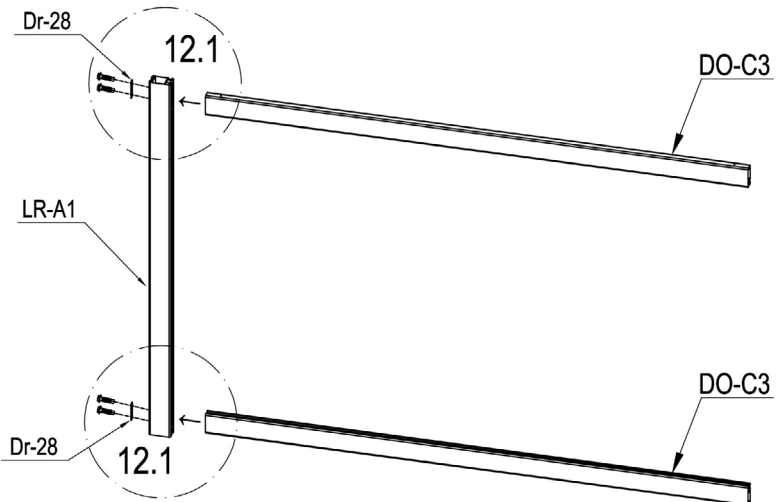
	AT-7	4
	LR-K30	4
	LR-K31	4

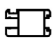
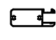




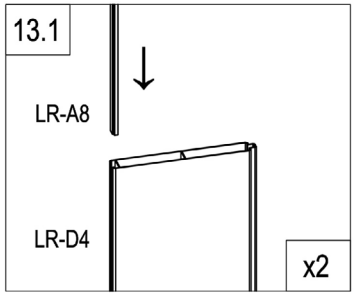
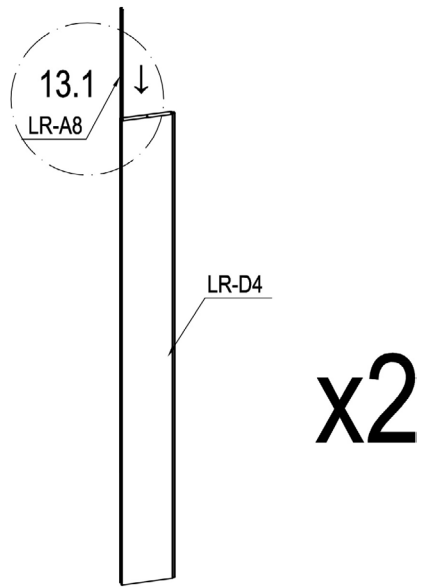
	Dr-20	1
	Dr-21	1
	Dr-22	1
	Dr-25	1


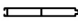
	Dr-18	1
	Dr-19	1
	Dr-25a	2
	Dr-27	2

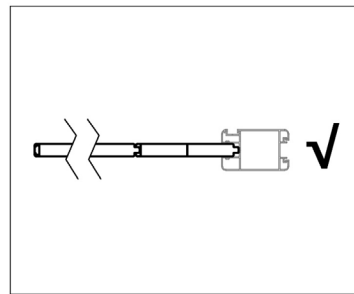
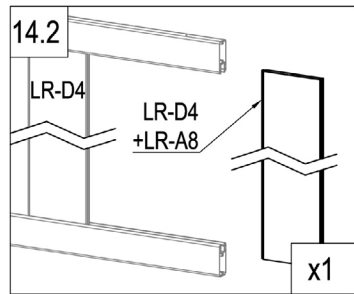
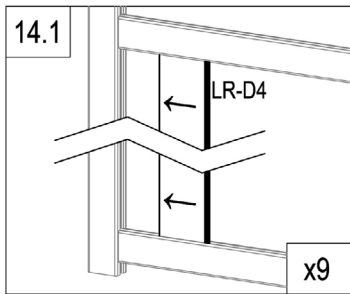
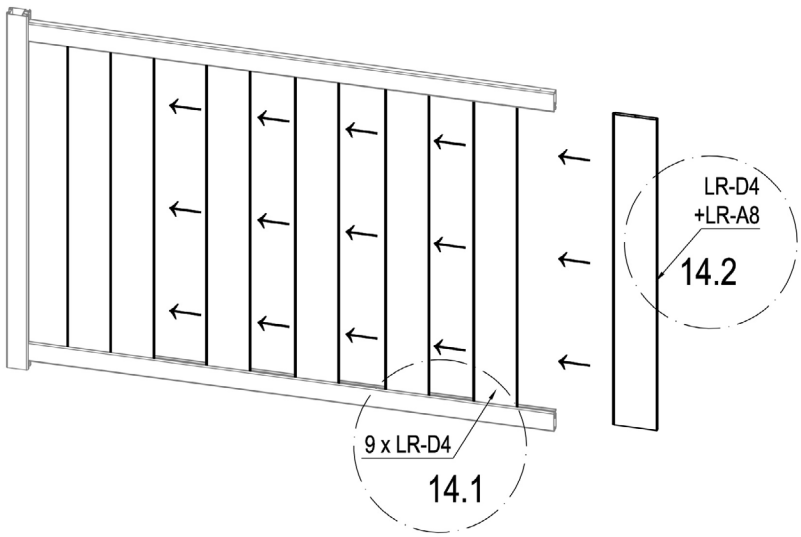


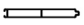


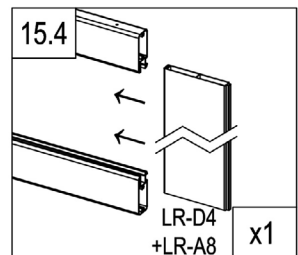
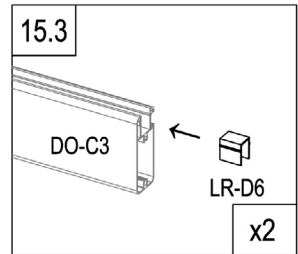
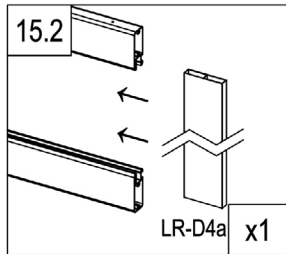
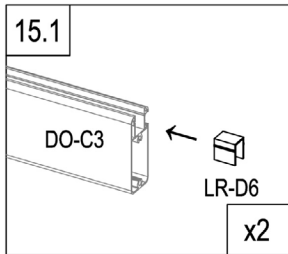
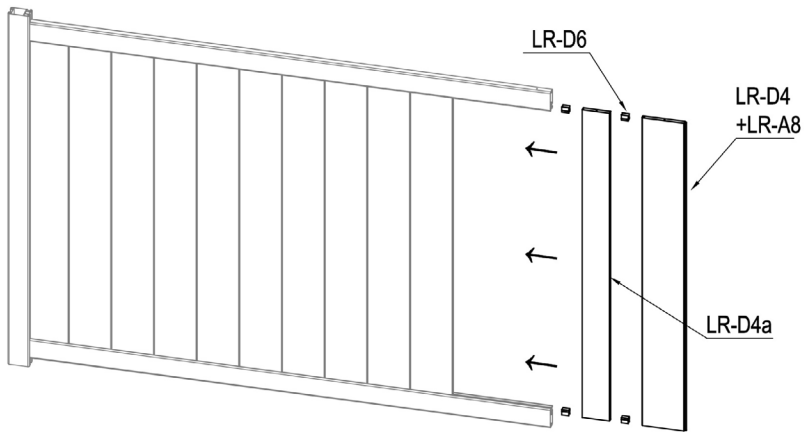
	LR-A1	1
	DO-C3	2
	Dr-28	2
	LR-K33	4

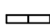



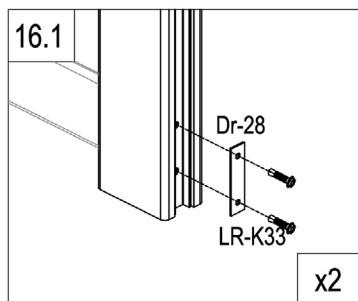
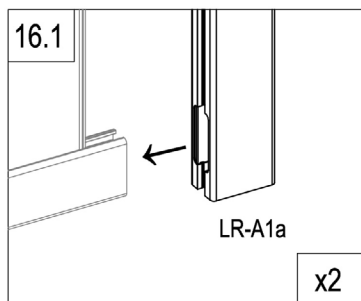
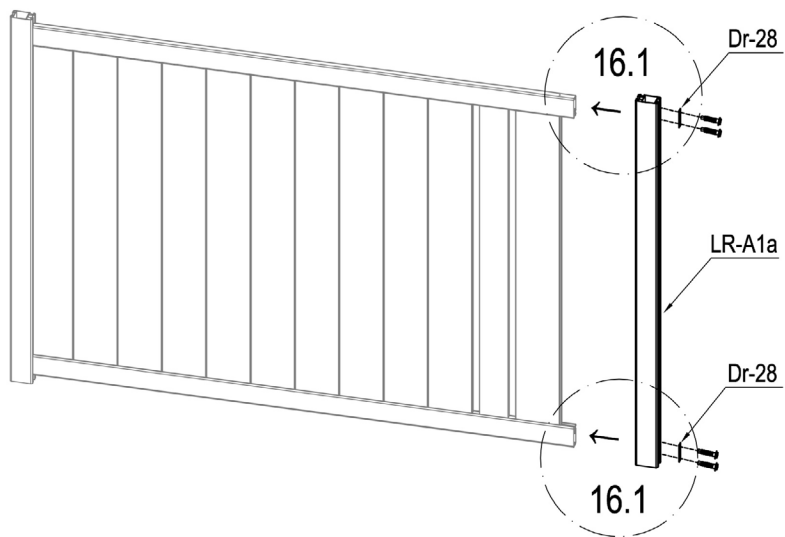
	LR-A8	2
	LR-D4	2

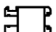




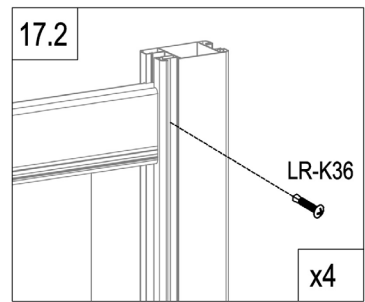
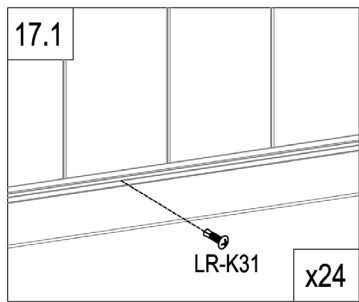
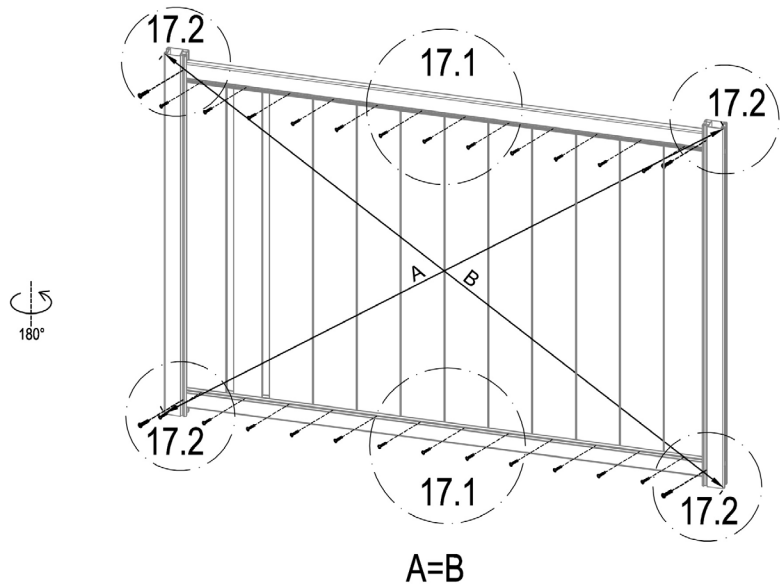
	LR-D4	9
---	-------	---





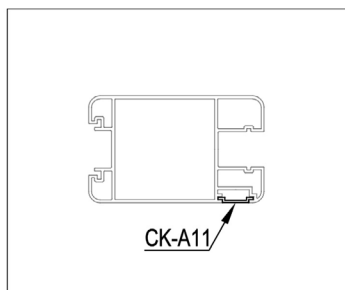
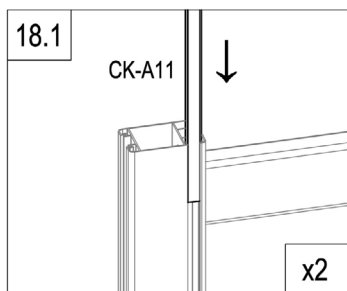
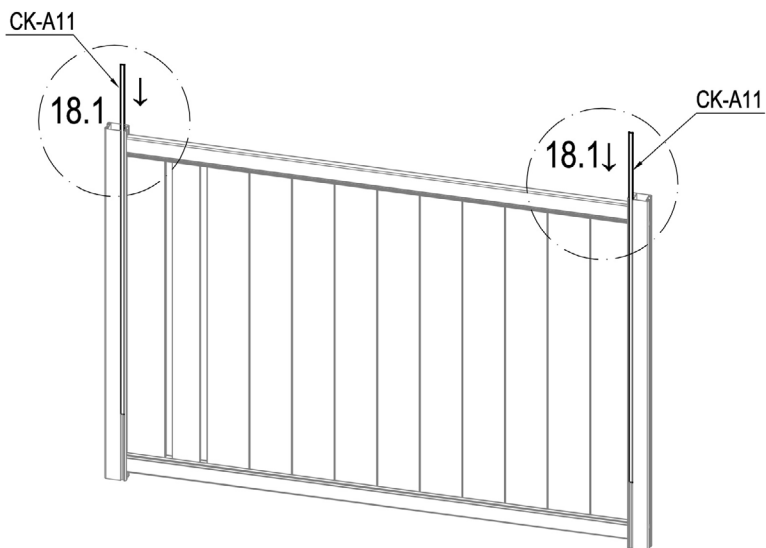
	LR-D4a	1
	LR-D6	4




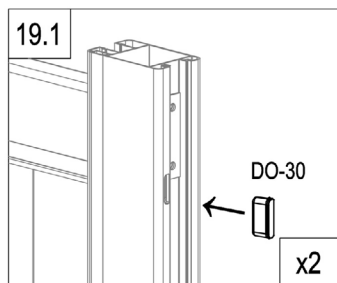
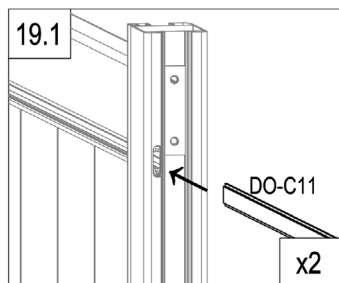
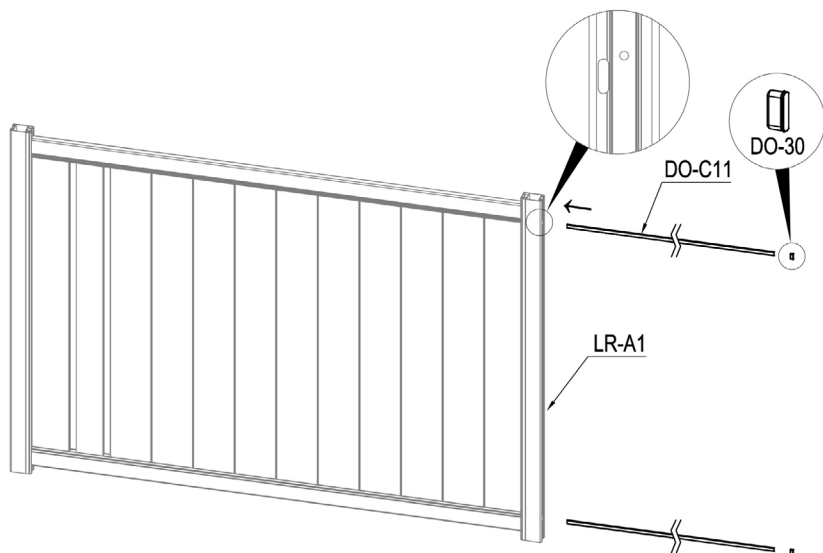
	LR-A1a	1
	Dr-28	2
	LR-K33	4





	LR-K31	24
	LR-K36	4

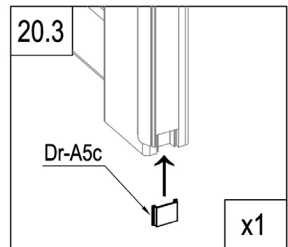
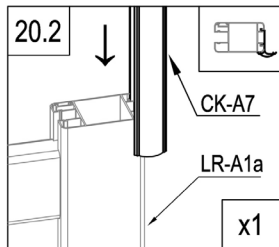
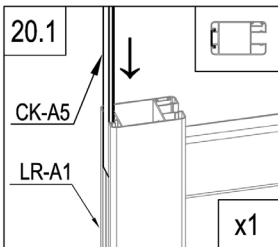
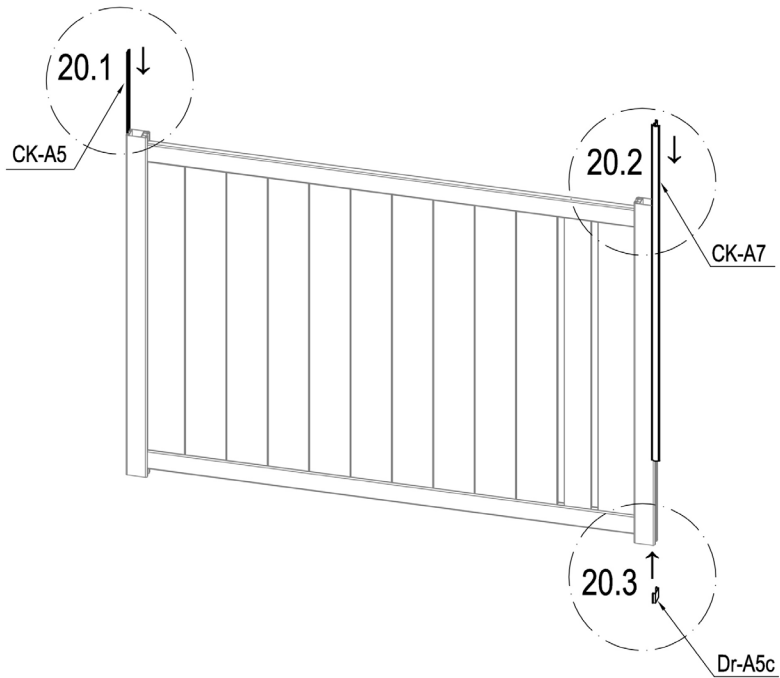




	CK-A11	2
---	--------	---

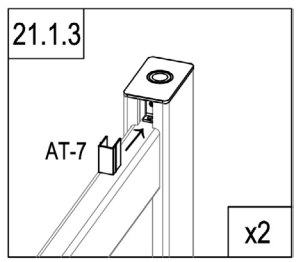
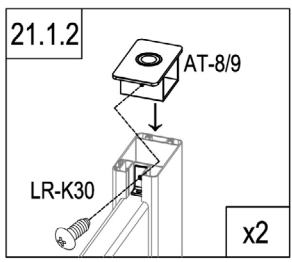
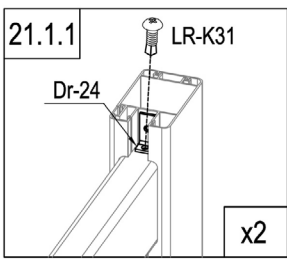
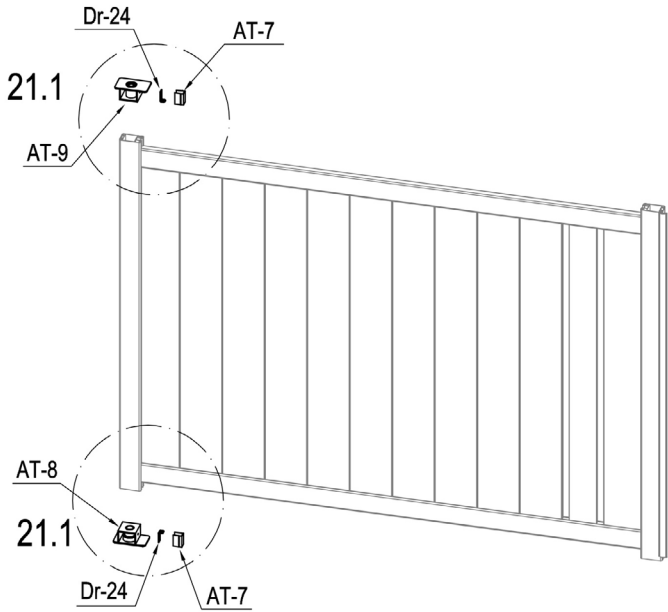


	DO-C11	2
	DO-30	2



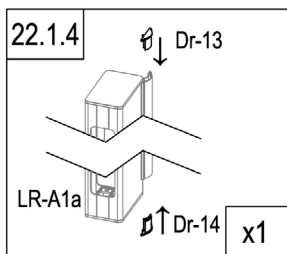
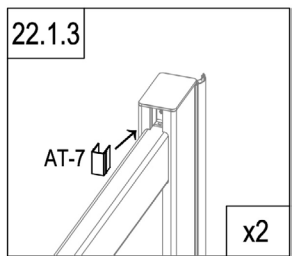
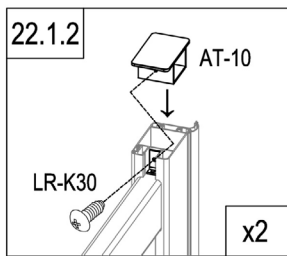
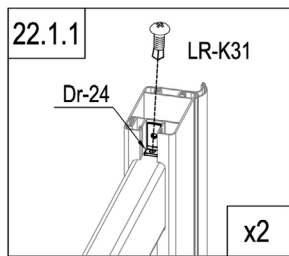
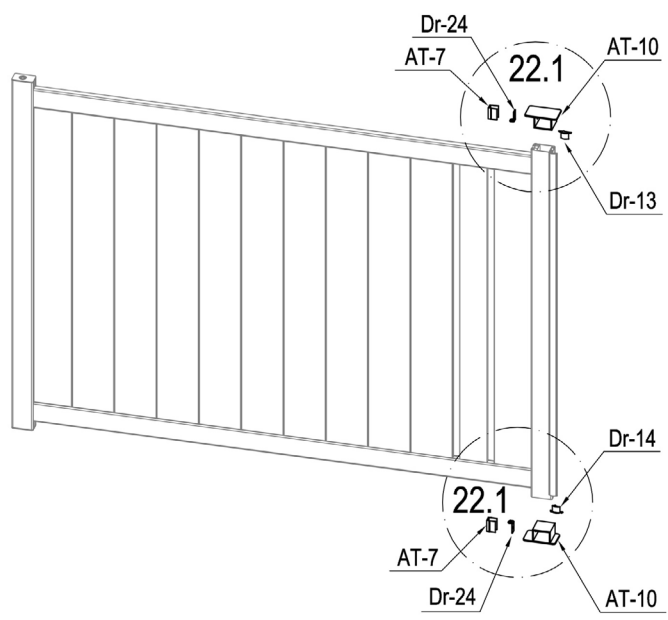


	CK-A5	1
	Dr-A5c	1
	CK-A7	1



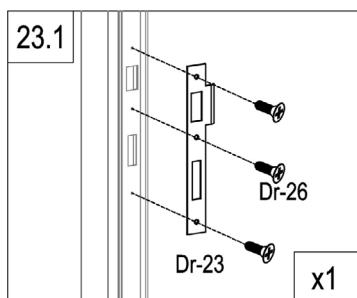
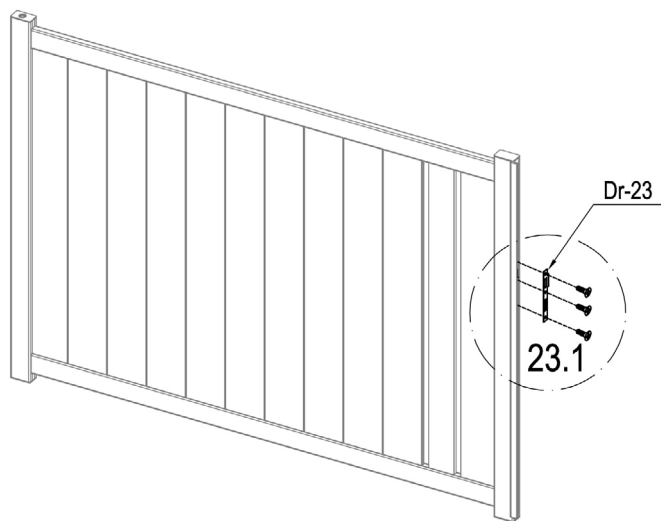
	AT-8	1
	AT-9	1
	Dr-24	2



	AT-7	2
	LR-K30	2
	LR-K31	2

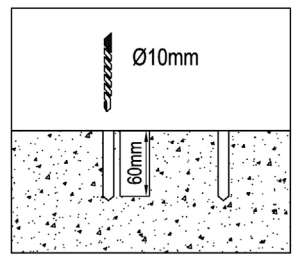
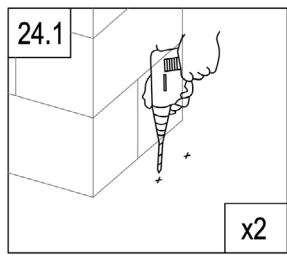
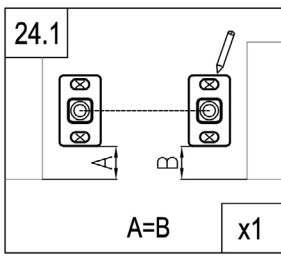
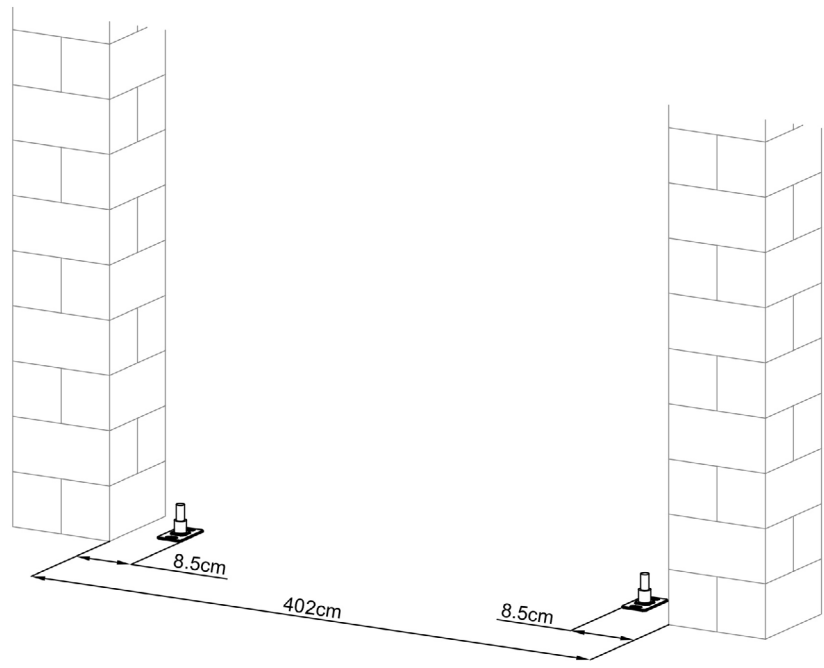


	AT-10	2
	Dr-24	2
	AT-7	2
	Dr-13	1

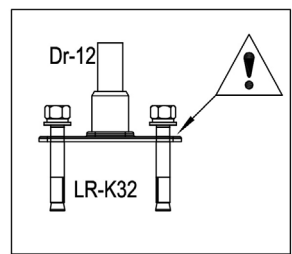
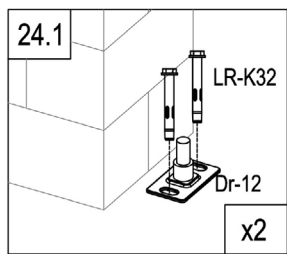
	Dr-14	1
	LR-K30	2
	LR-K31	2

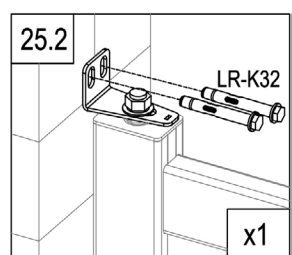
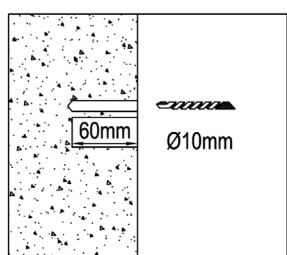
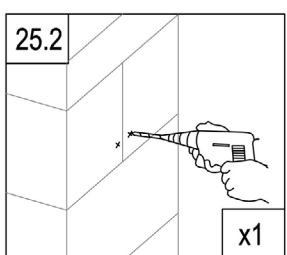
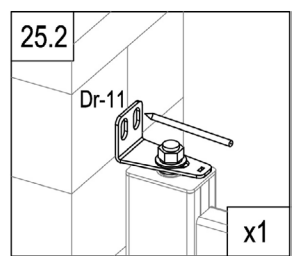
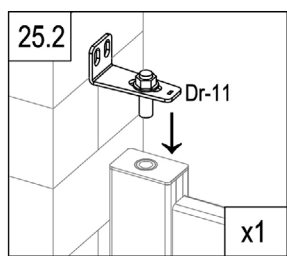
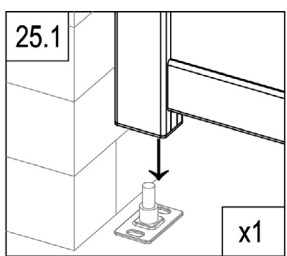
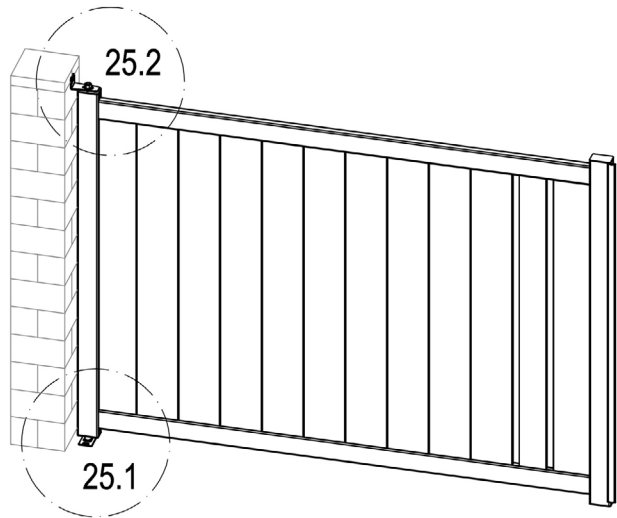




	Dr-23	1
	Dr-26	3

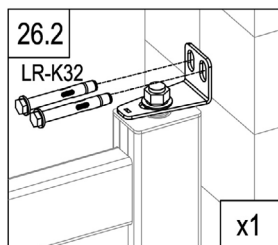
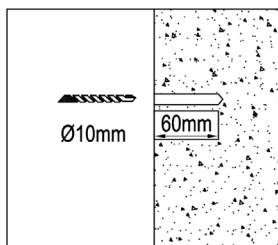
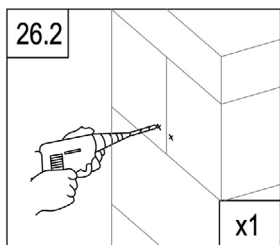
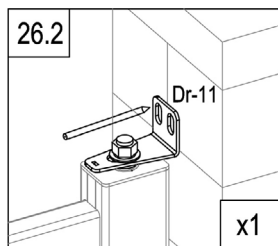
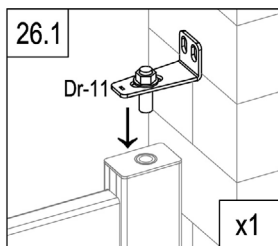
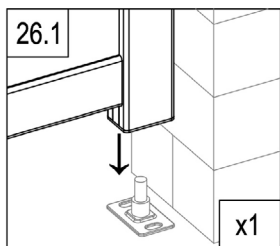
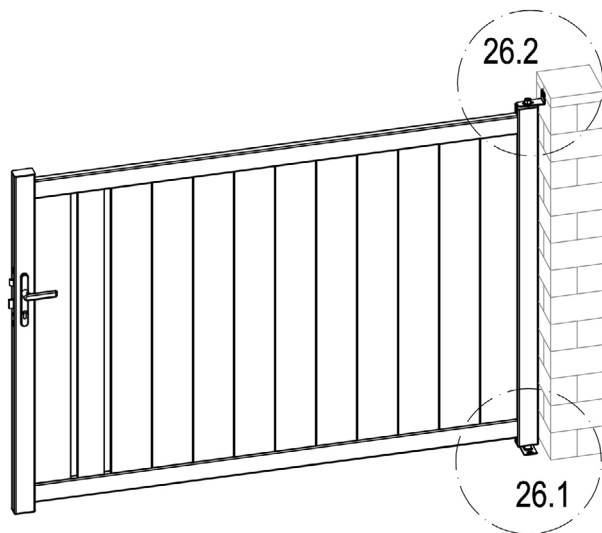




	Dr-12	2
	LR-K32	4

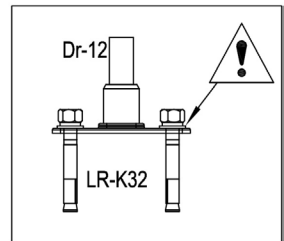
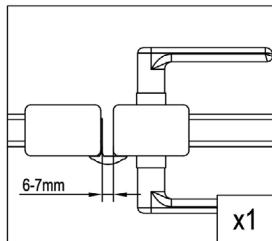
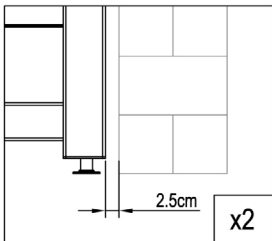
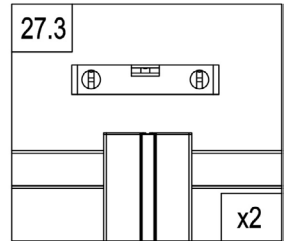
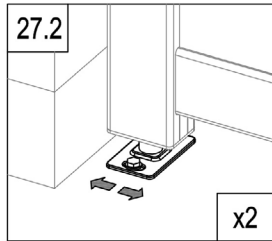
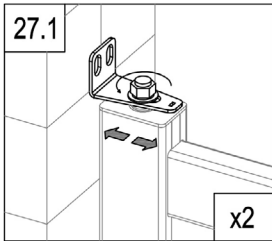
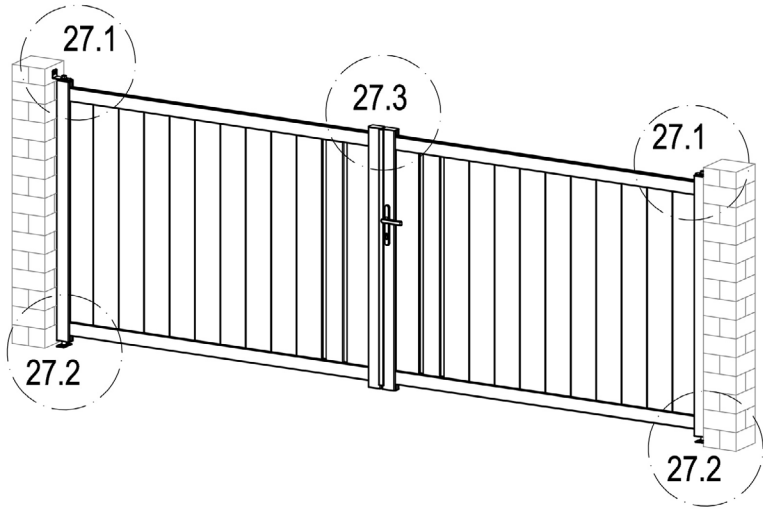
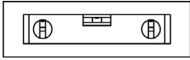




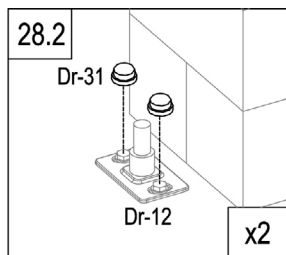
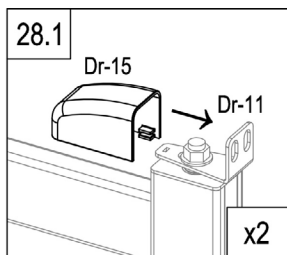
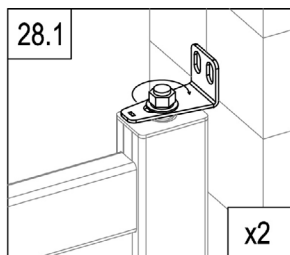
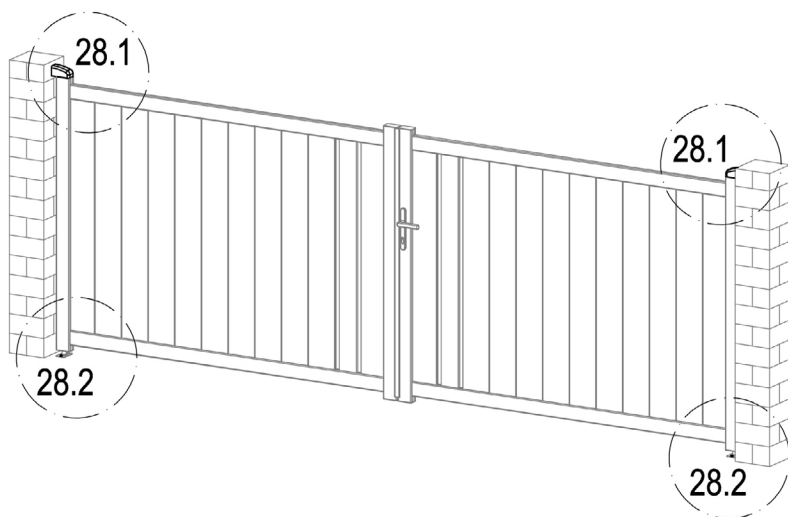
	Dr-11	1
	LR-K32	2





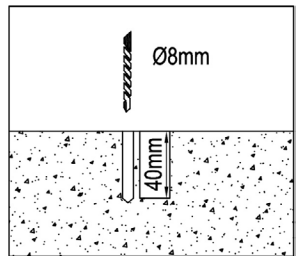
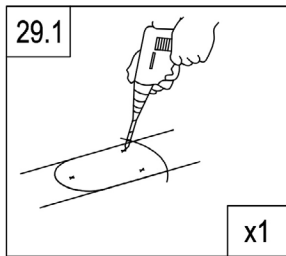
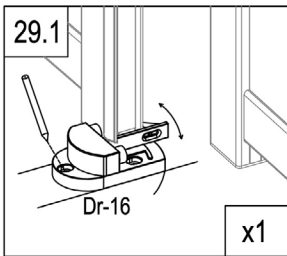
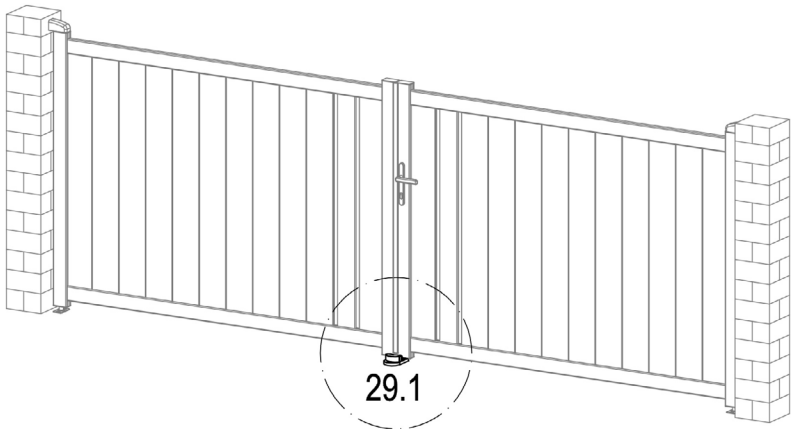
	Dr-11	1
	LR-K32	2


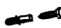



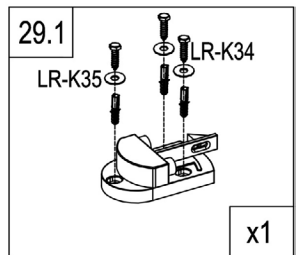


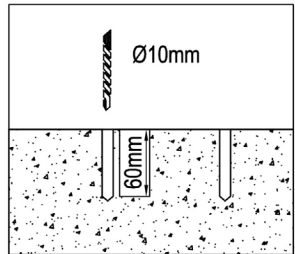
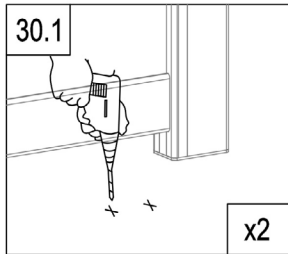
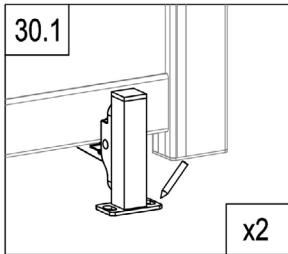
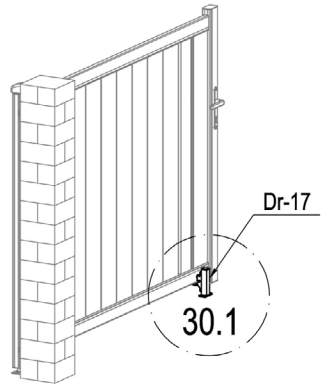
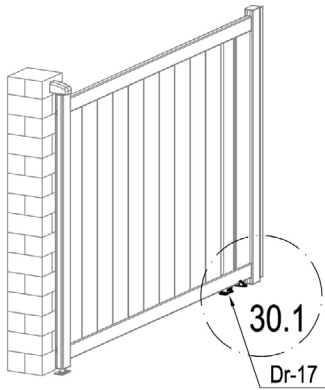




	Dr-15	2
	Dr-31	4



	Dr-16	1
	LR-K34	3
	LR-K35	3





	LR-K32	4
	Dr-17	2

