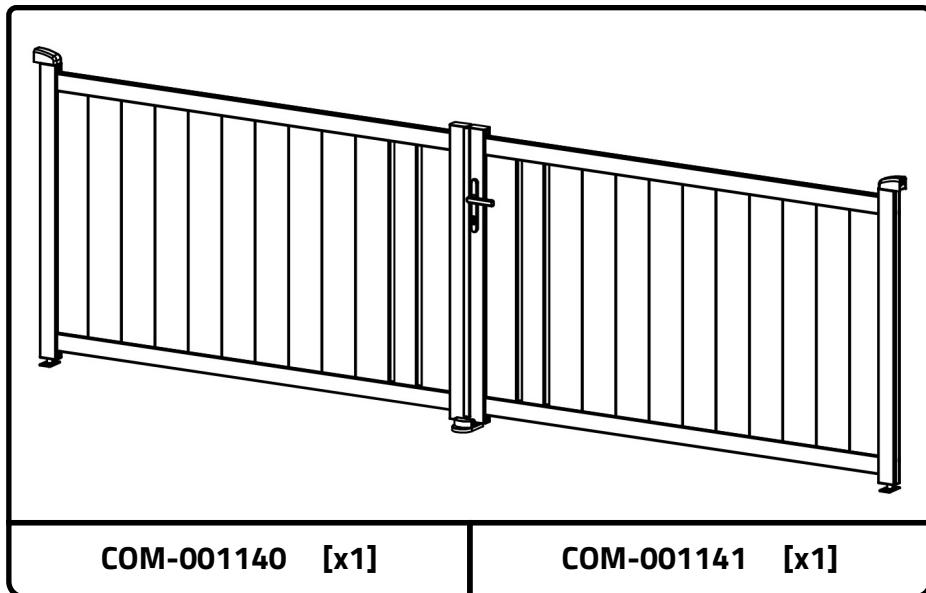
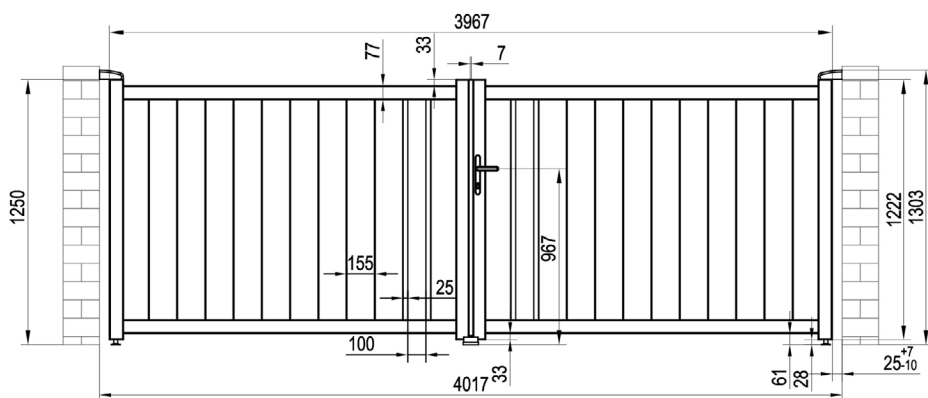


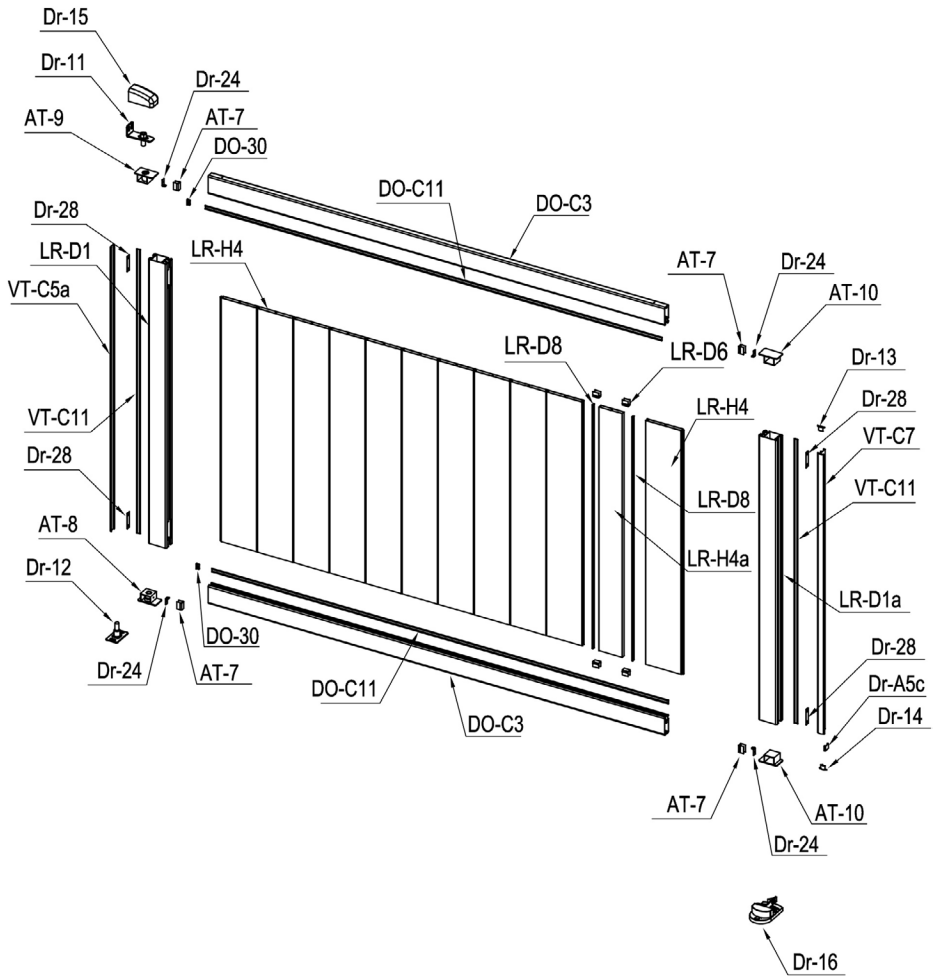
CASANOVO

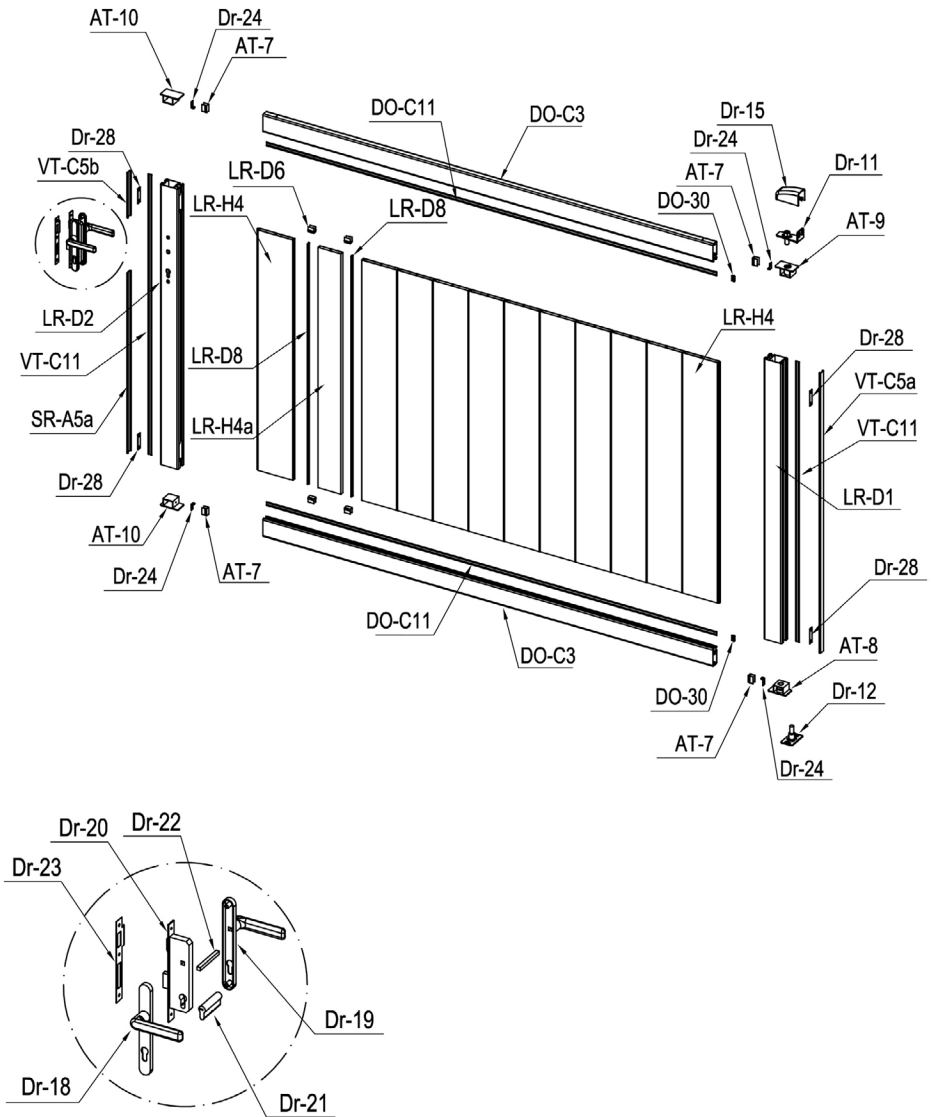
GIONA 400B120










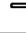















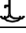




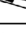





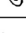





INSTRUCTION MANUAL / NOTICE DE MONTAGE / MONTAGEANLEITUNG / MANUAL DE MONTAJE / MANUAL DE MONTAGEM / MANUALE DI MONTAGGIO /
MONTAGEHANDLEIDING / INSTRUKCJA MONTAŻU / KÄYTTÖOHJEET / BRUKSANVISNING / BRUGSANVISNING / INSTRUCIUNI DE ASAMBLARE /
NAVODILA ZA SESTAVLJANJE / NÁVOD NA MONTÁŽ / ÖSSZESZERELÉSI ÚTMUTATÓ / NÁVOD K MONTÁŽI / UPUTE ZA INSTALACIJU /
ΟΔΗΓΙΕΣ ΣΥΝΑΡΜΟΛΟΓΗΣΗΣ / SURINKIMO INSTRUKCIJOS / MONTŽAS INSTRUKCIJAS

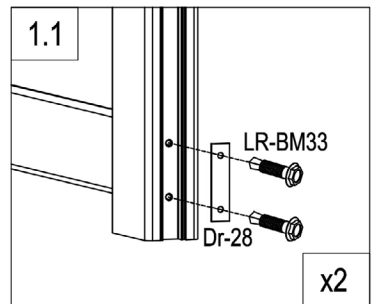
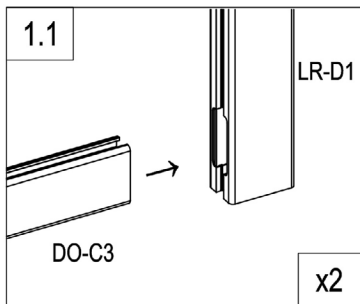
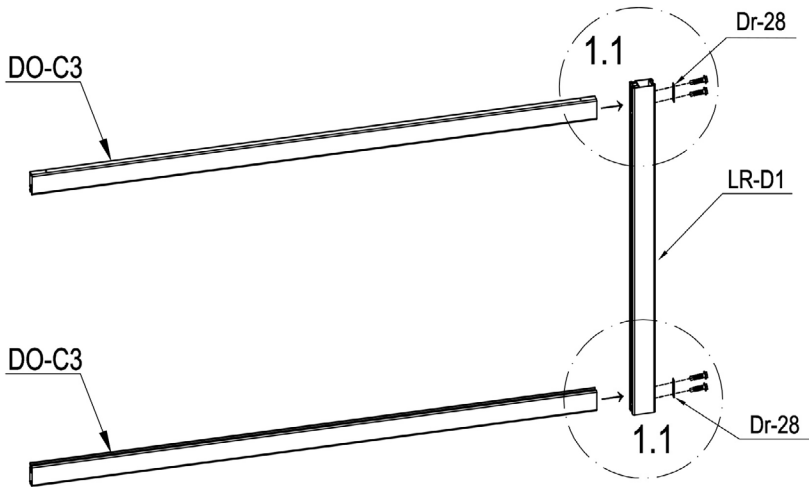


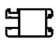





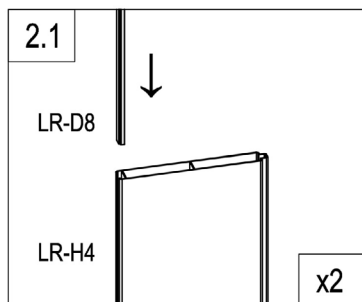
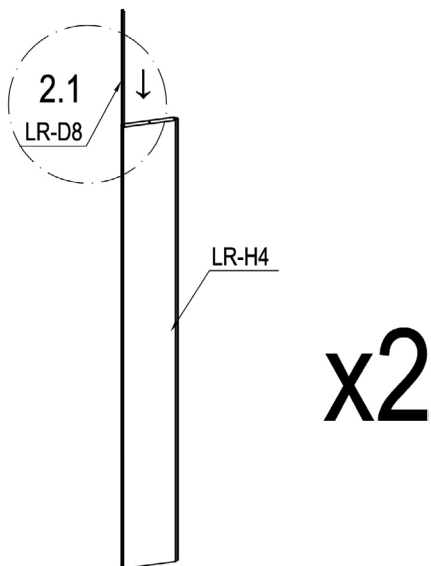



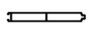
PART LIST

IMAGE	NO.	L.(mm)	QTY	IMAGE	NO.	L.(mm)	QTY
	LR-D1	1217	2		Dr-17		2
	LR-D1a	1217	1		Dr-31		4
	LR-D2	1217	1		DO-30		4
	DO-C3	1957	4		Dr-18		1
	LR-H4	1044	22		Dr-19		1
	LR-H4a	1044	2		Dr-20		1
	VT-C5a	1217	2		Dr-21		1
	VT-C5b	194.5	1		Dr-22		1
	SR-A5a	937	1		Dr-23		1
	Dr-A5c	19.5	1		Dr-25		1
	VT-C11	1217	4		Dr-25a		2
	DO-C11	1957	4		Dr-26		3
	AT-7	29.5	8		Dr-27		2
	LR-D6	25	8		Dr-24		8
	LR-D8	1044	4		Dr-28		8
	VT-C7	1197	1		LR-BM30	ST4x10	8
	AT-8		2		LR-BM31	ST4.2x13	56
	AT-9		2		LR-BM32	M8x60	12
	AT-10		4		LR-BM33	ST5.5x38	16
	Dr-11		2		LR-BM34	ST6x40	3
	Dr-12		2		LR-BM35	Ø6	3
	Dr-13		1		LR-BM36	ST4.8x38	8
	Dr-14		1				
	Dr-15		2				
	Dr-16		1				

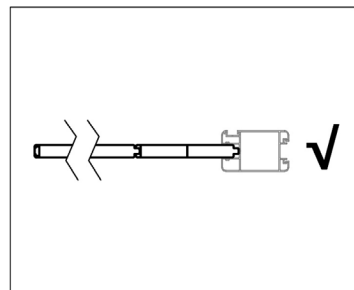
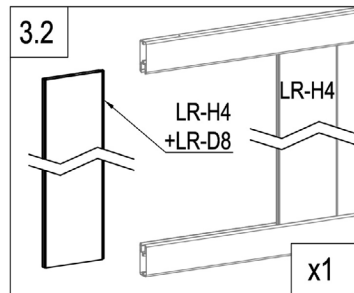
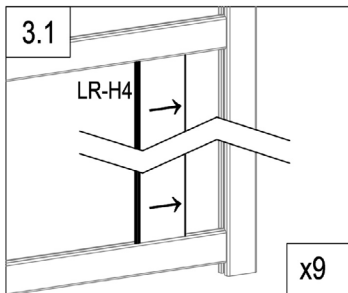
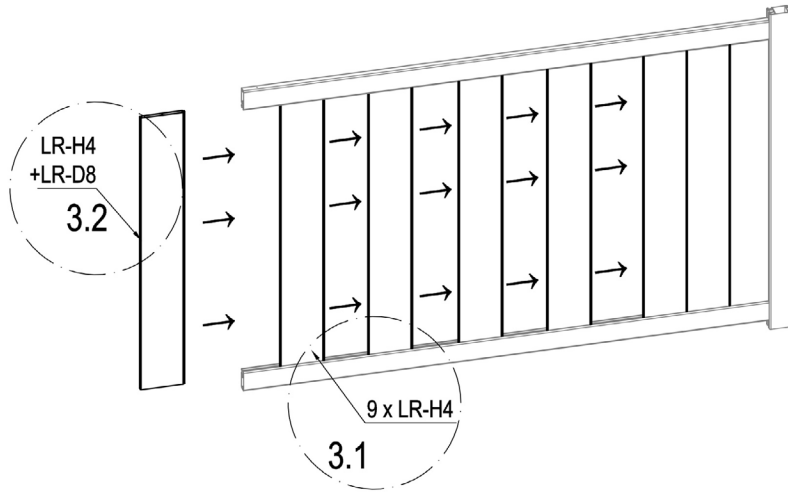


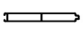
	LR-D1	1
	DO-C3	2
	Dr-28	2
	LR-BM33	4

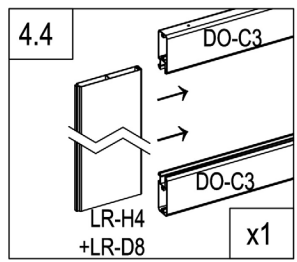
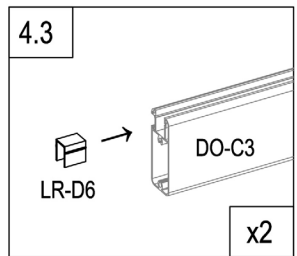
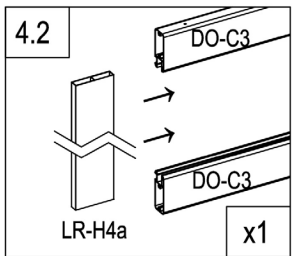
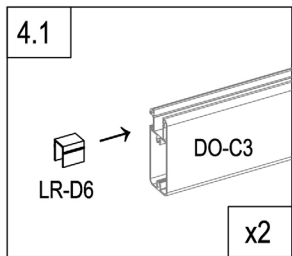
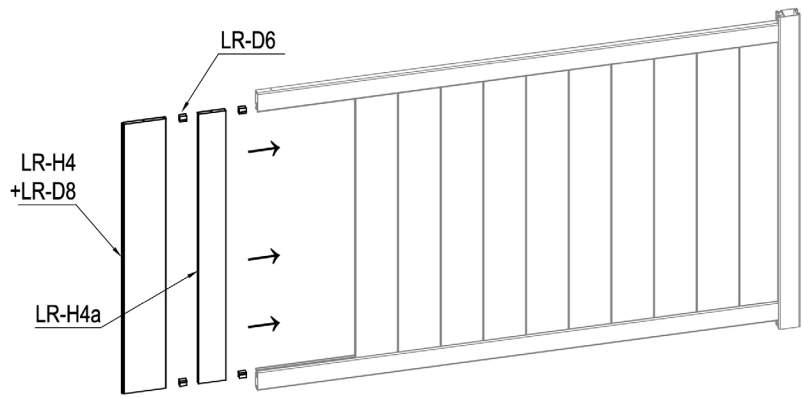




	LR-D8	2
	LR-H4	2

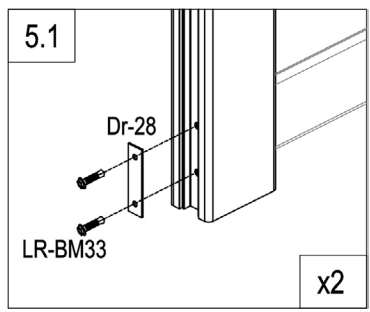
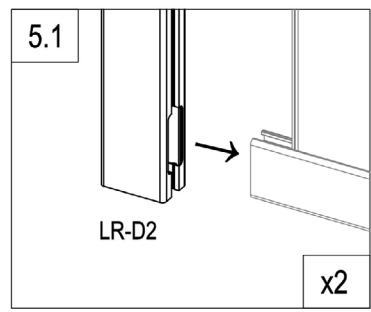
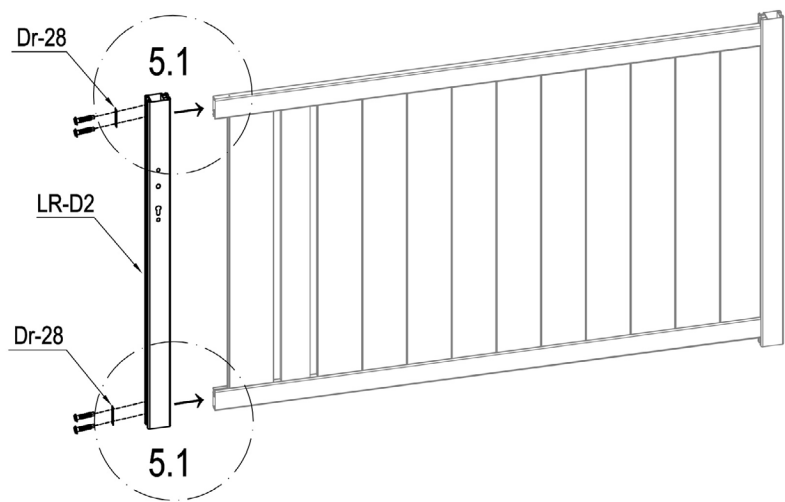
CASANOVO

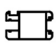




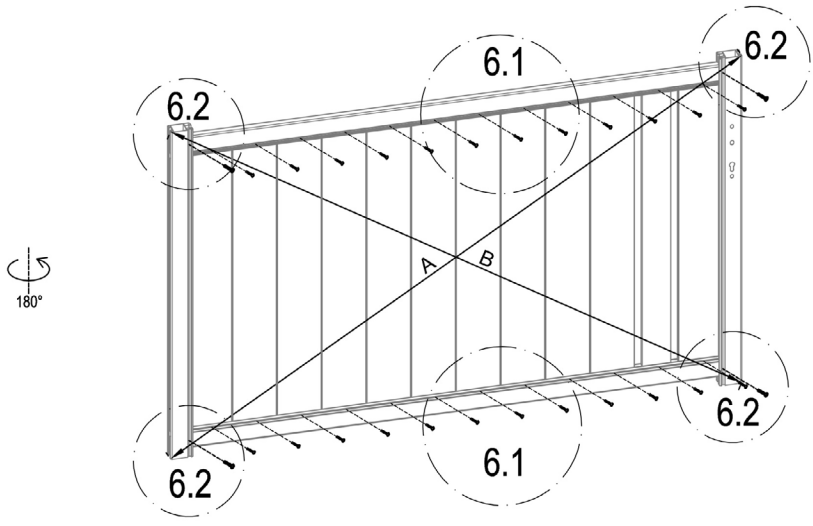
	LR-H4	9
-------------------------------------------------------------------------------------	-------	---



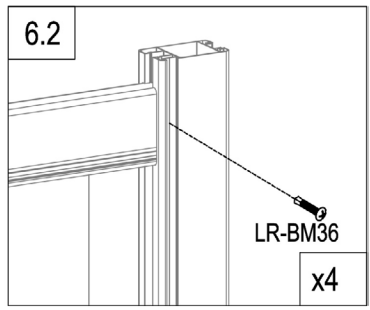
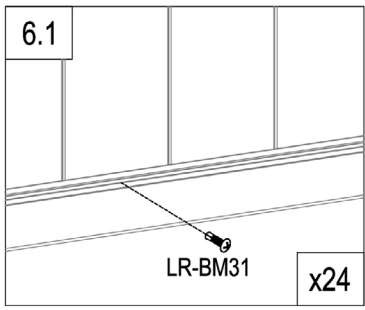
	LR-H4a	1
	LR-D6	4





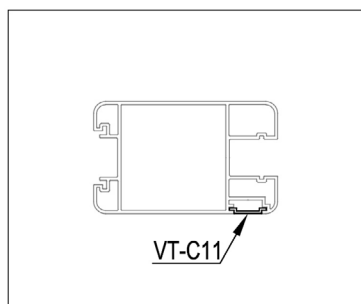
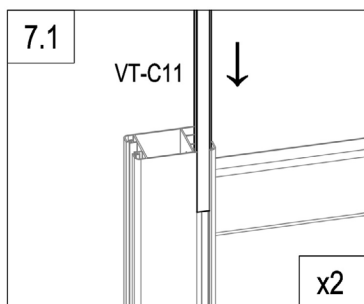
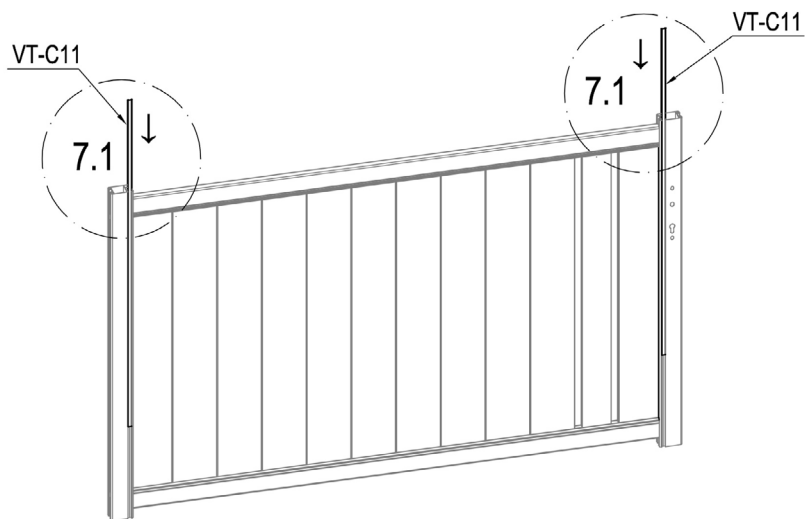
	LR-D2	1
	Dr-28	2
	LR-BM33	4




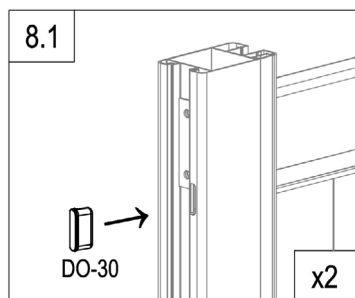
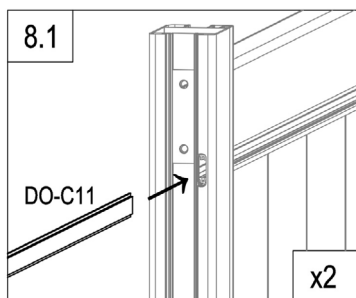
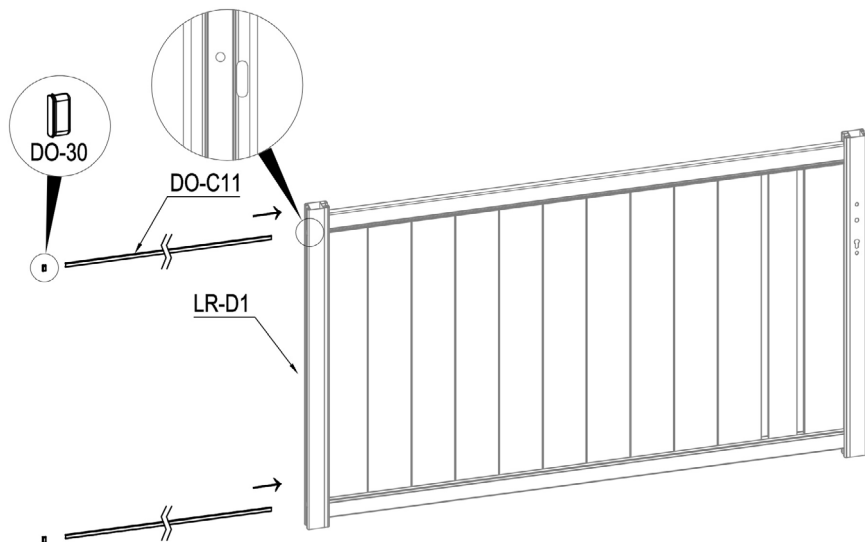
A=B





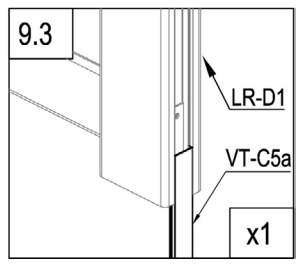
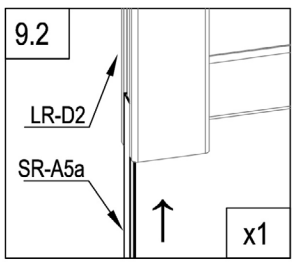
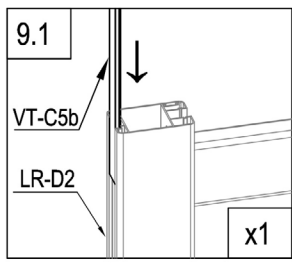
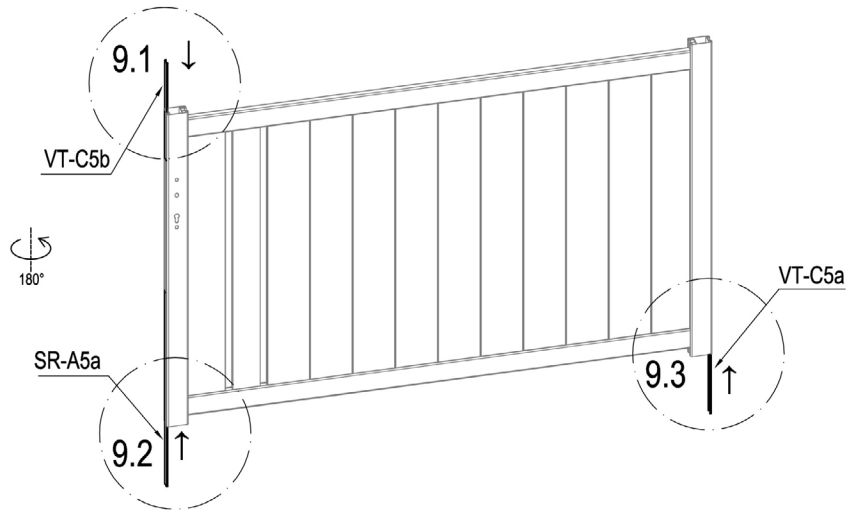
	LR-BM31	24
	LR-BM36	4



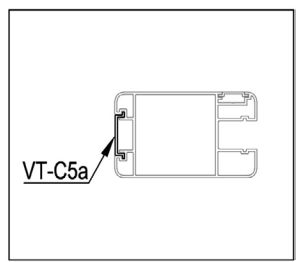
	VT-C11	2
-------------------------------------------------------------------------------------	--------	---

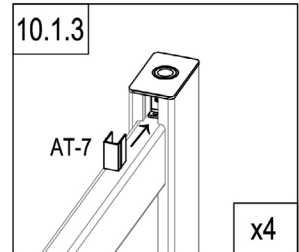
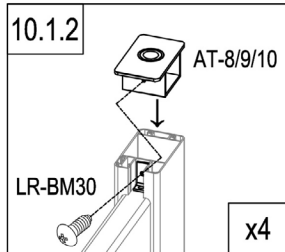
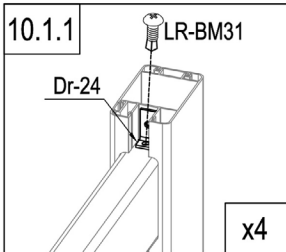
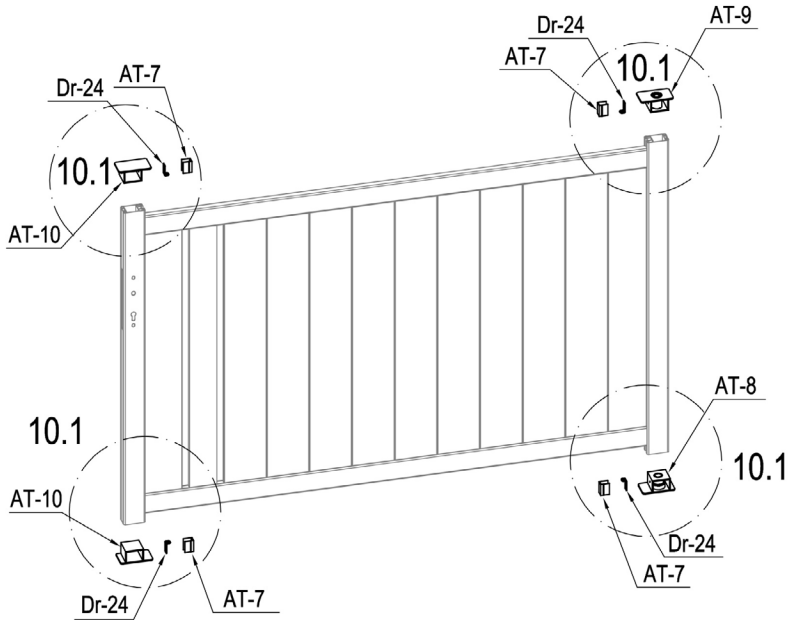


	DO-C11	2
	DO-30	2



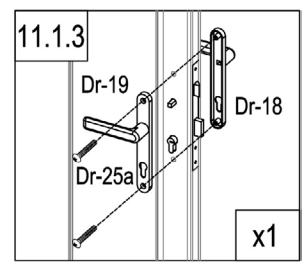
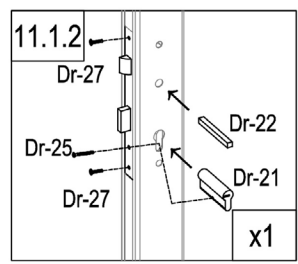
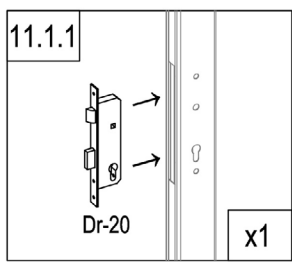
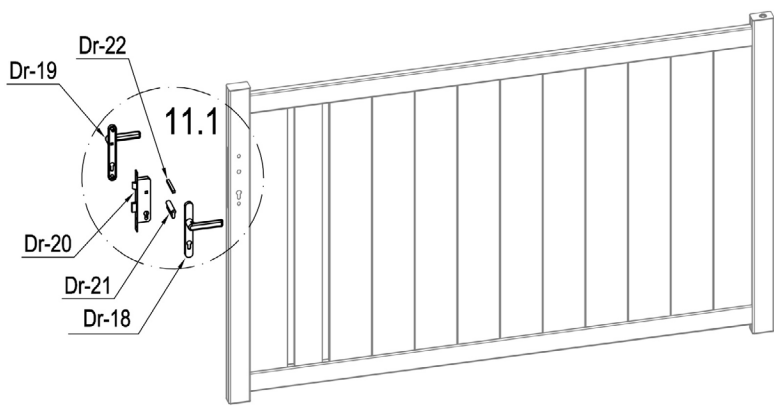
	VT-C5a	1
	VT-C5b	1
	SR-A5a	1





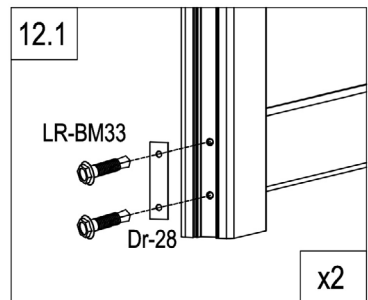
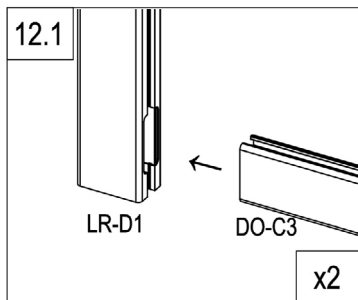
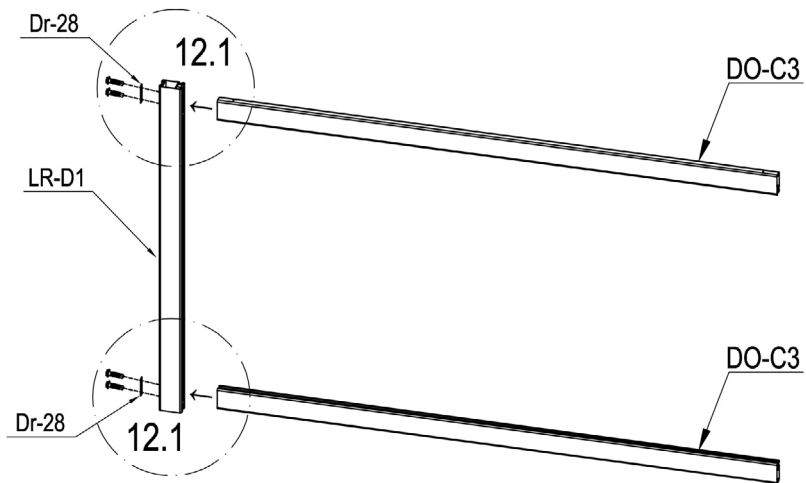
	AT-8	1
	AT-9	1
	AT-10	2
	Dr-24	4


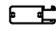


	AT-7	4
	LR-BM30	4
	LR-BM31	4

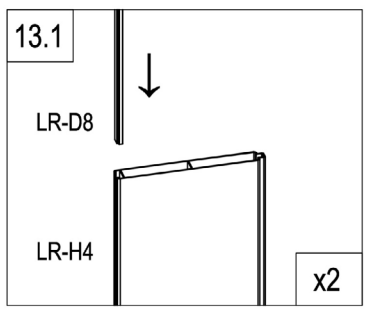
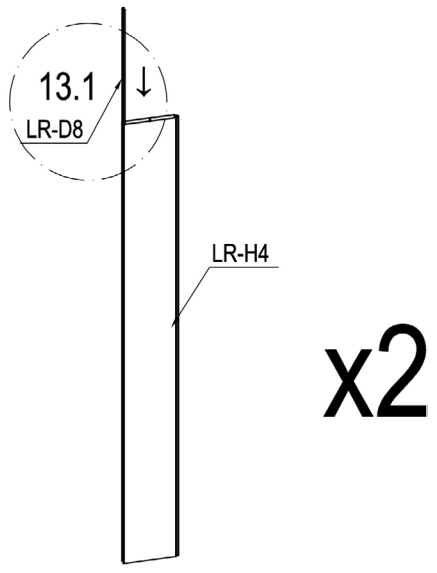



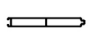
	Dr-20	1
	Dr-21	1
	Dr-22	1
	Dr-25	1

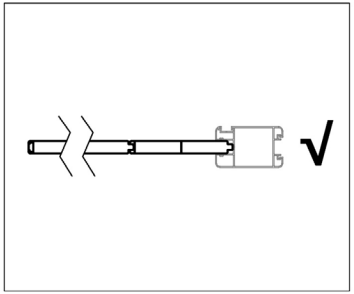
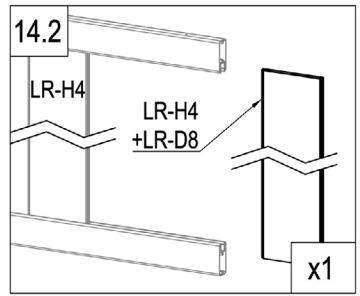
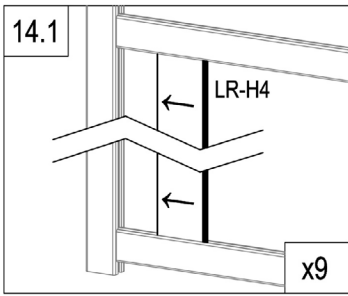
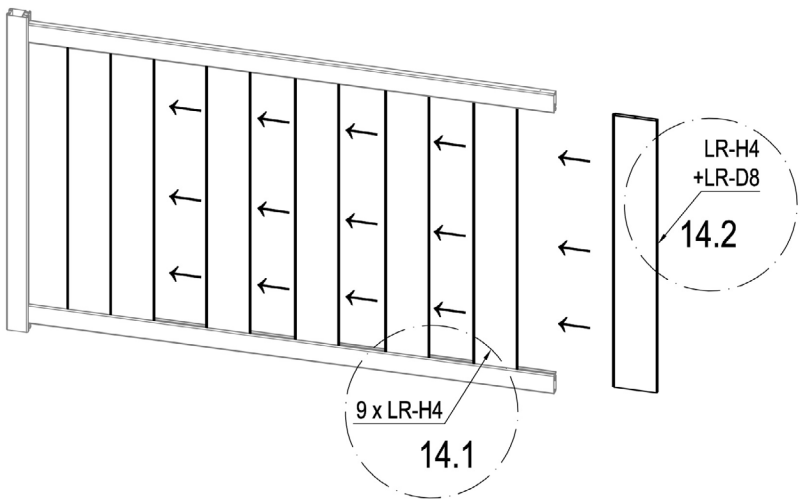
	Dr-18	1
	Dr-19	1
	Dr-25a	2
	Dr-27	2



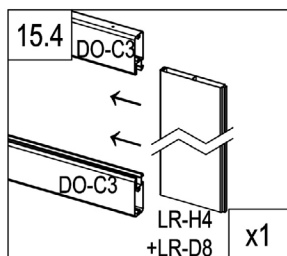
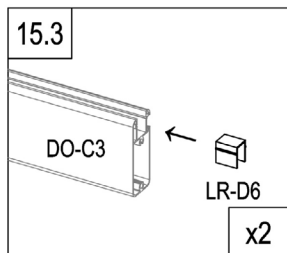
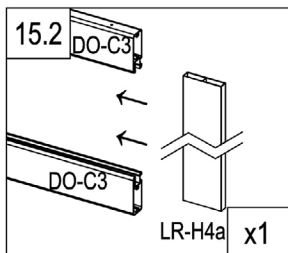
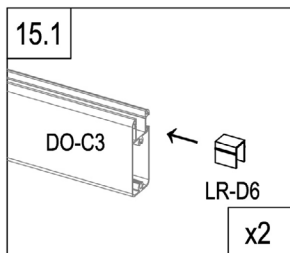
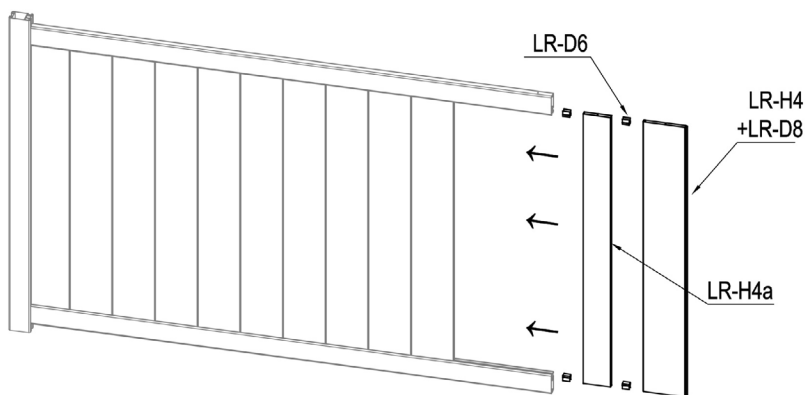
	LR-D1	1
	DO-C3	2
	Dr-28	2
	LR-BM33	4

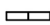



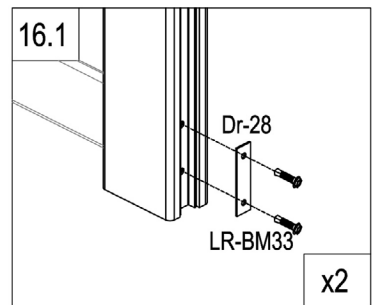
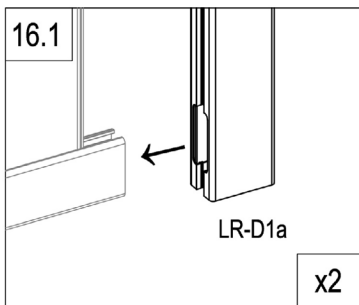
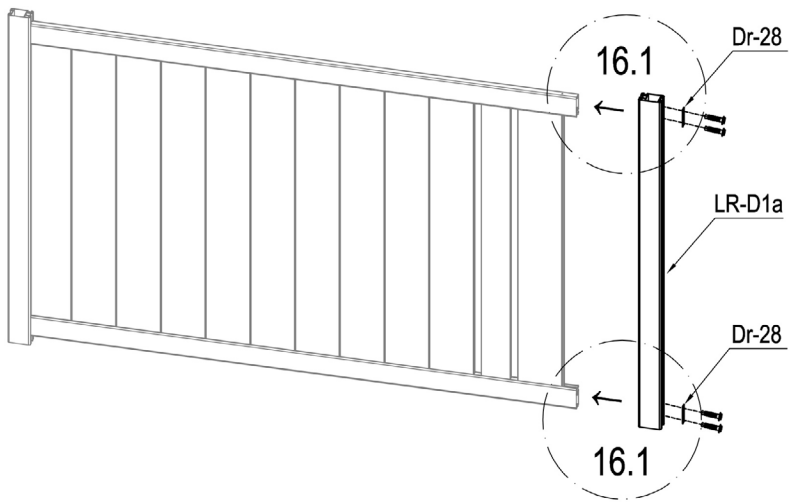
	LR-D8	2
	LR-H4	2

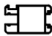




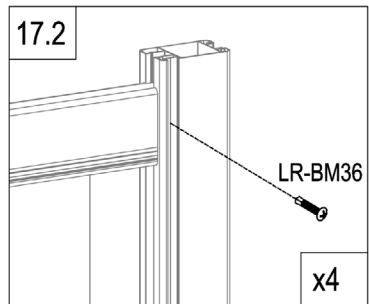
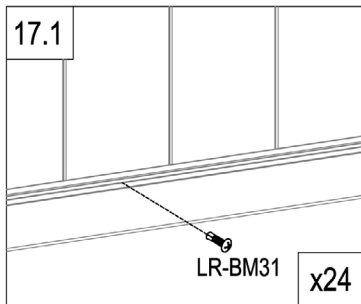
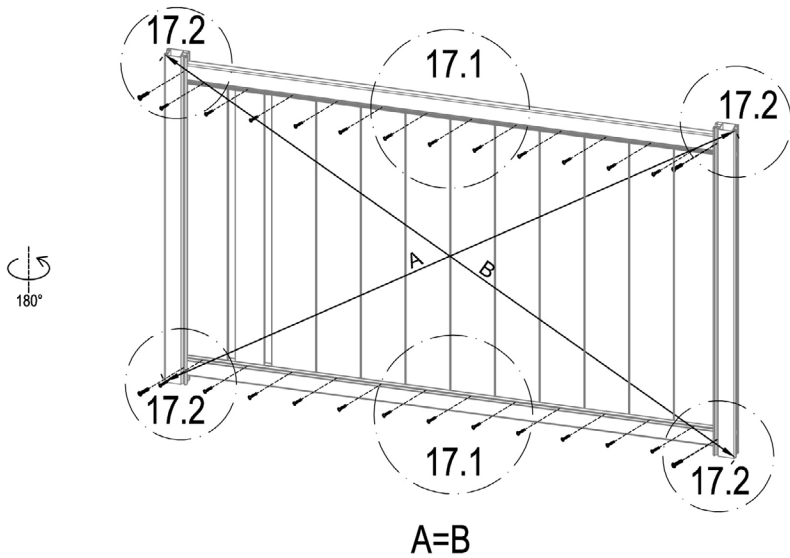
	LR-H4	9
-------------------------------------------------------------------------------------	-------	---





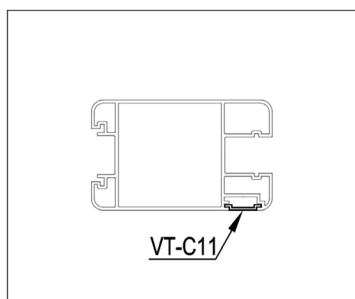
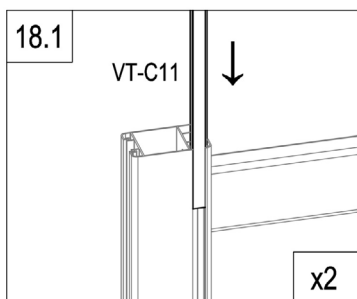
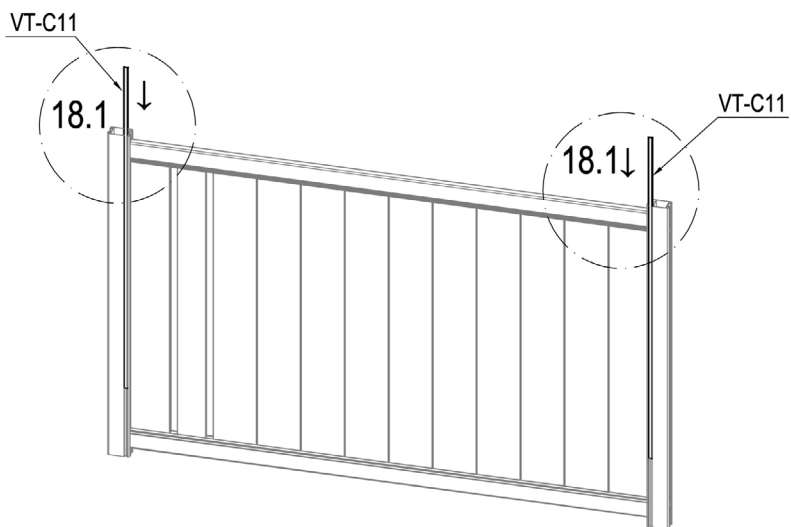
	LR-H4a	1
	LR-D6	4




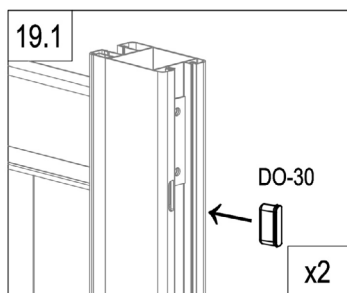
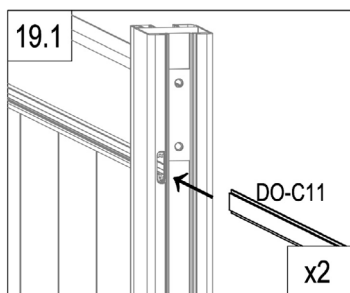
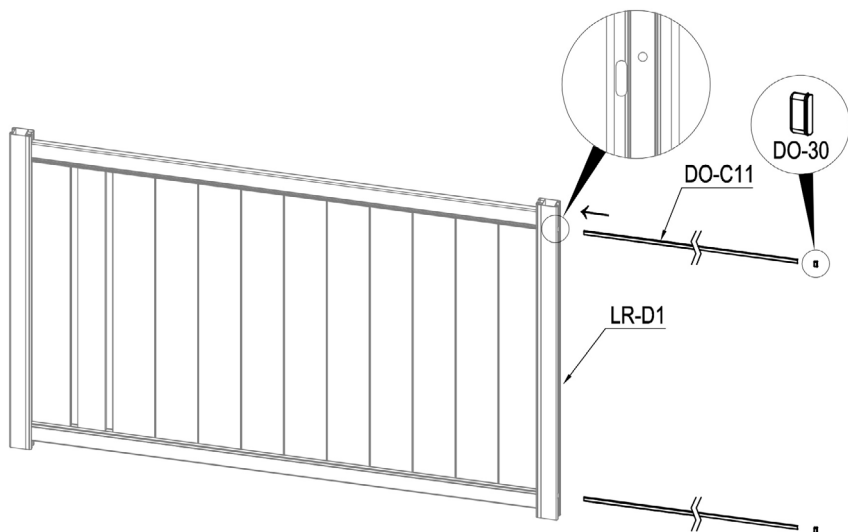
	LR-A1a	1
	Dr-28	2
	LR-BM33	4





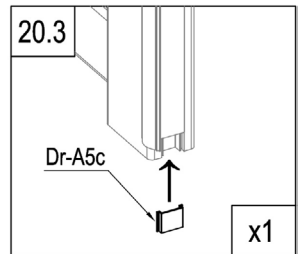
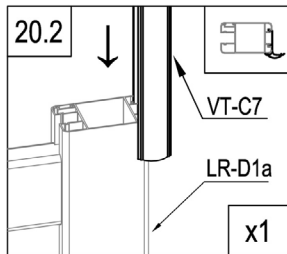
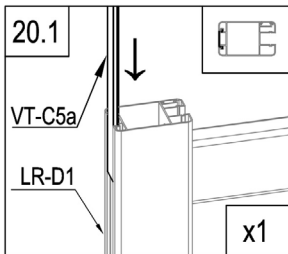
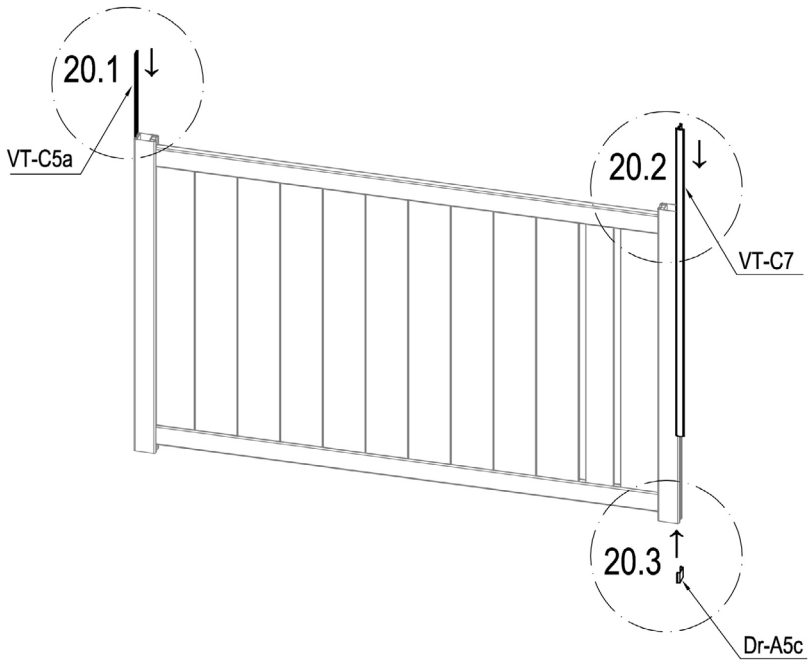
	LR-BM31	24
	LR-BM36	4





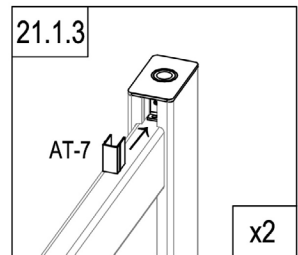
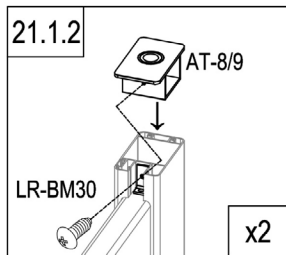
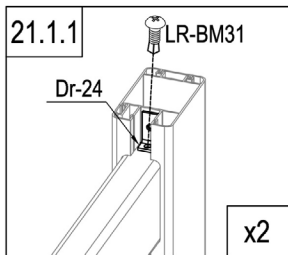
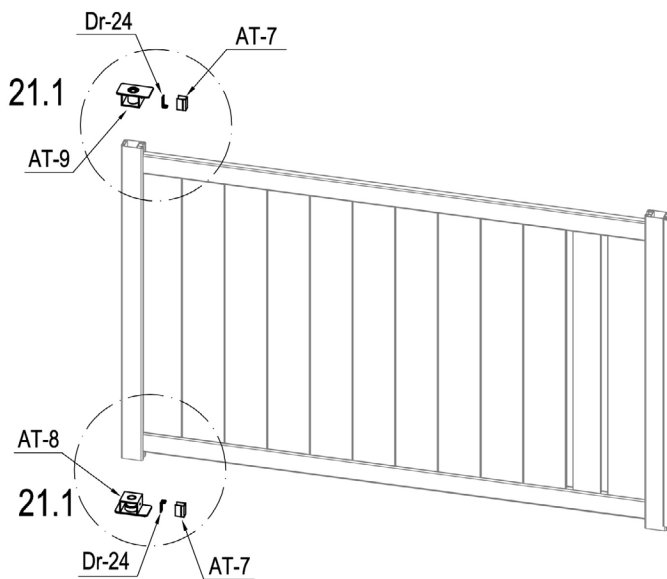
	VT-C11	2
-------------------------------------------------------------------------------------	--------	---



	DO-C11	2
	DO-30	2

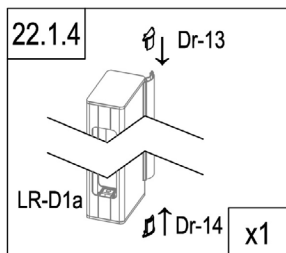
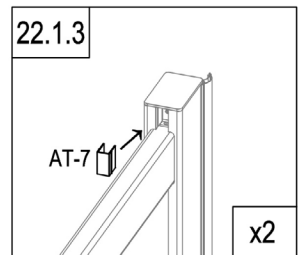
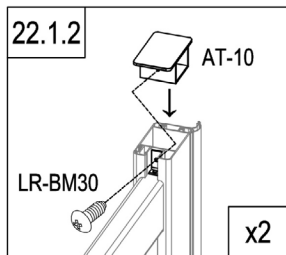
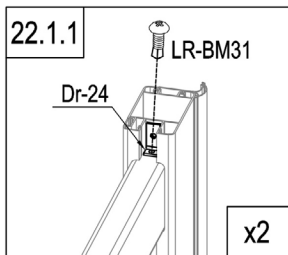
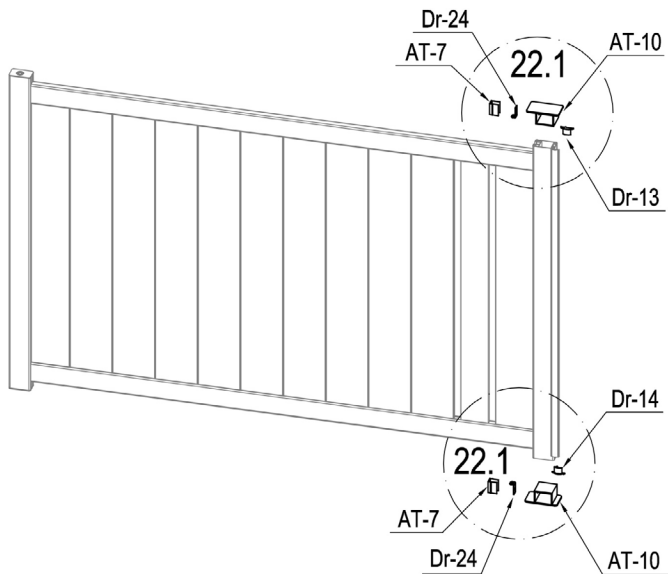


	VT-C5a	1
	Dr-A5c	1
	VT-C7	1



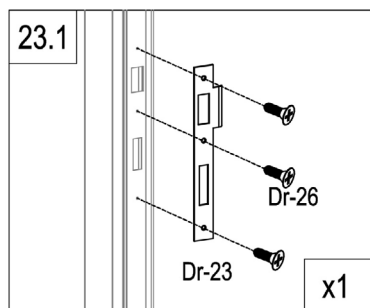
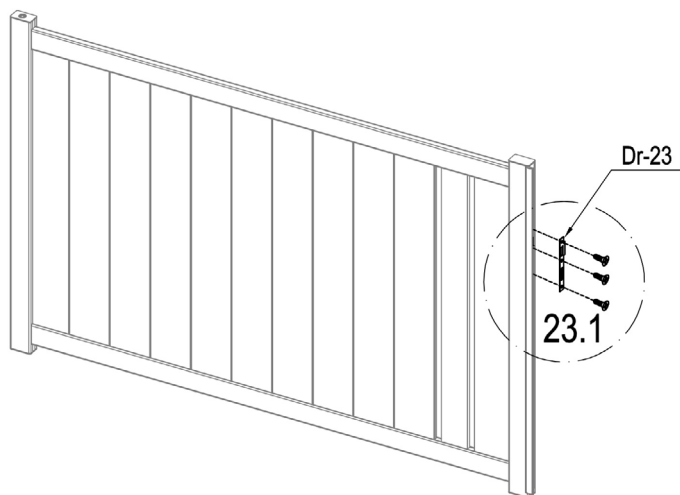
	AT-8	1
	AT-9	1
	Dr-24	2



	AT-7	2
	LR-BM30	2
	LR-BM31	2

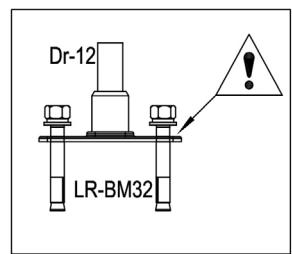
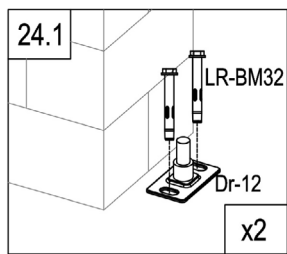
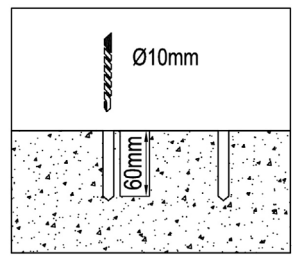
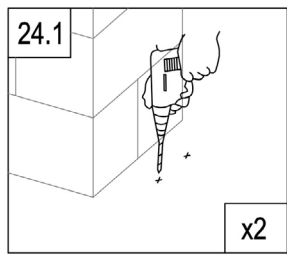
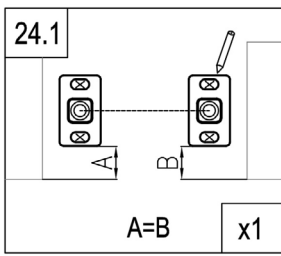
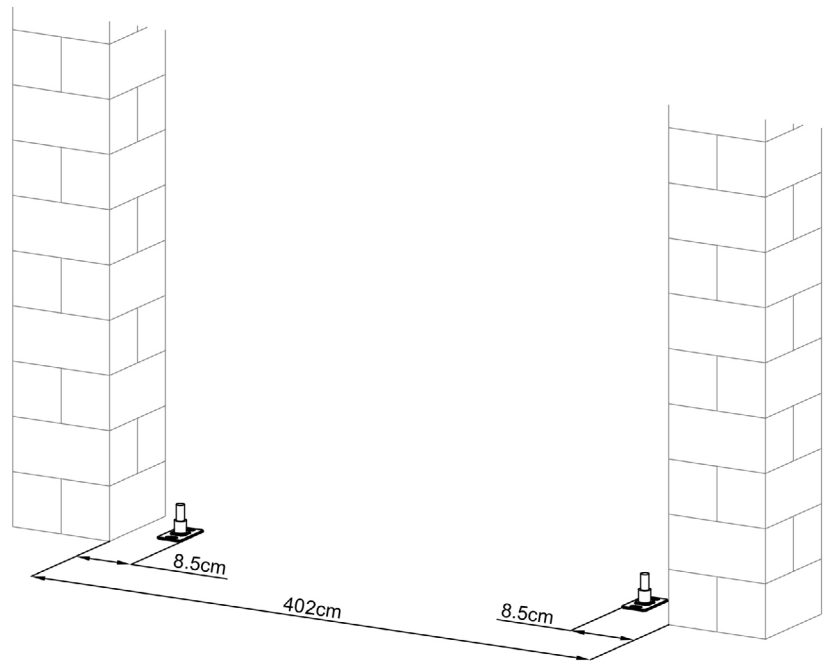


	AT-10	2
	Dr-24	2
	AT-7	2
	Dr-13	1

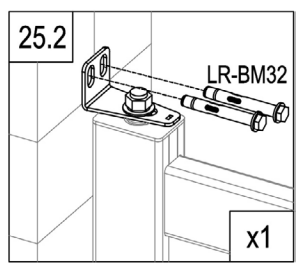
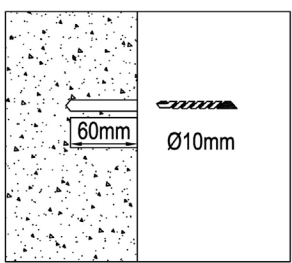
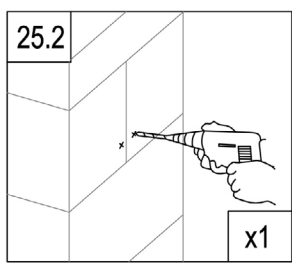
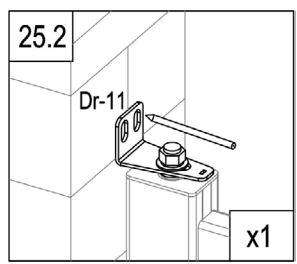
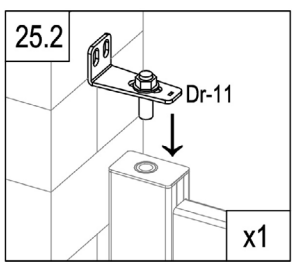
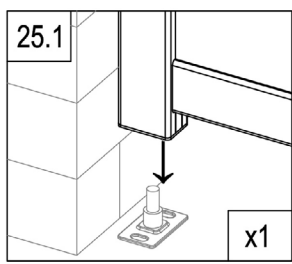
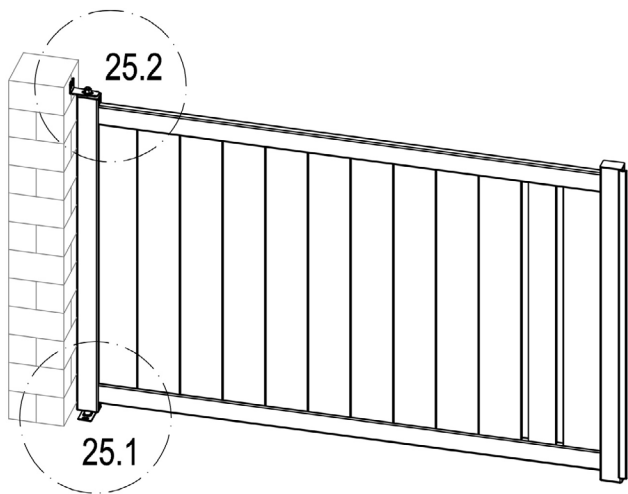
	Dr-14	1
	LR-BM30	2
	LR-BM31	2





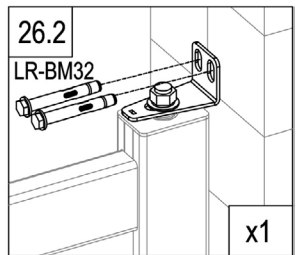
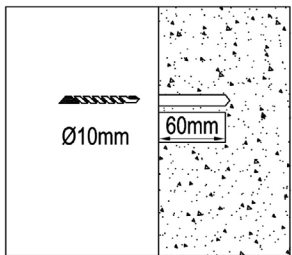
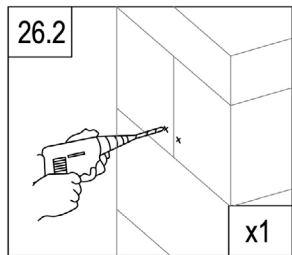
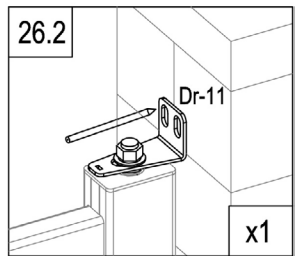
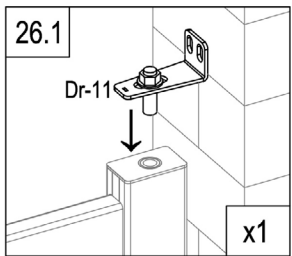
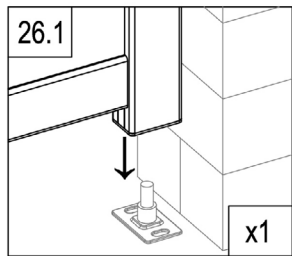
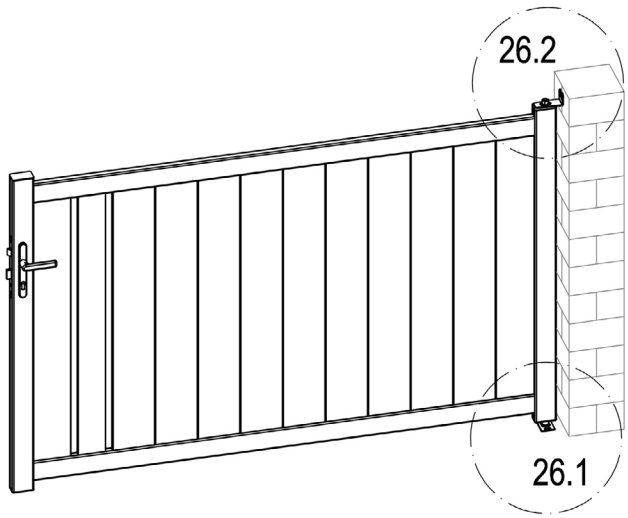
	Dr-23	1
	Dr-26	3





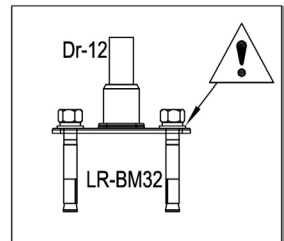
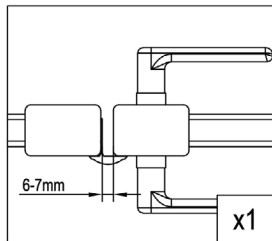
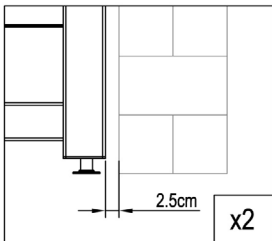
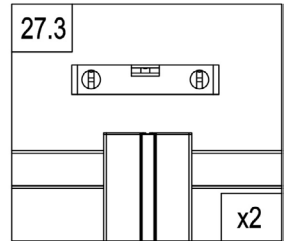
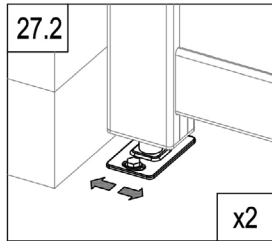
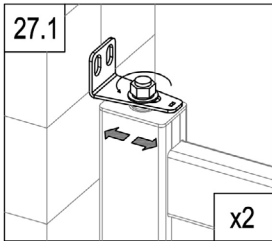
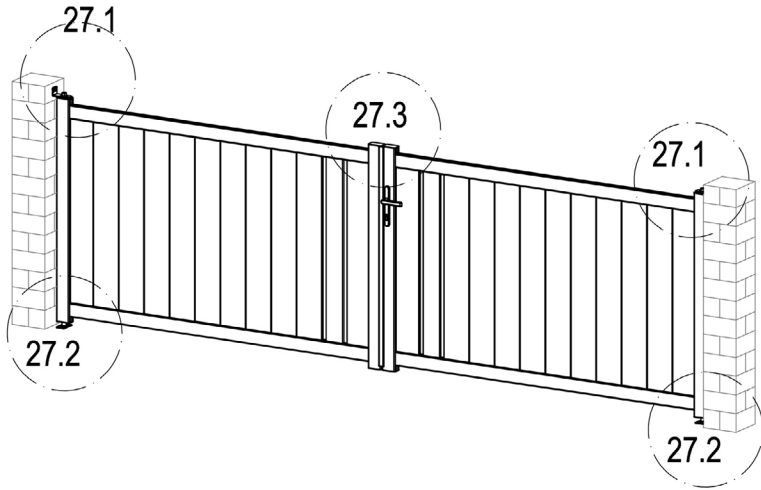
	Dr-12	2
	LR-BM32	4

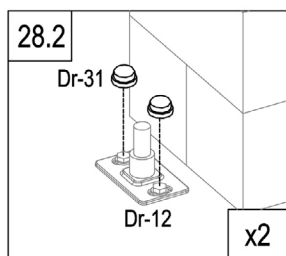
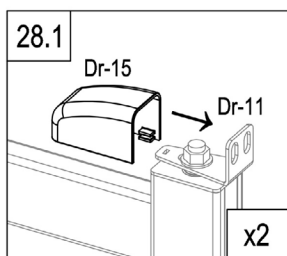
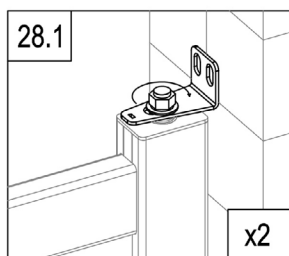
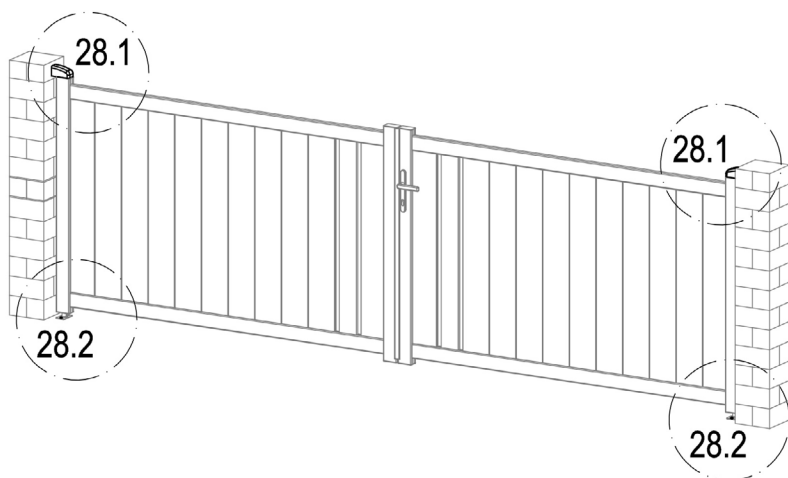




	Dr-11	1
	LR-BM32	2

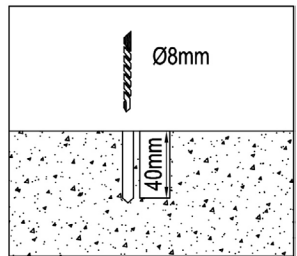
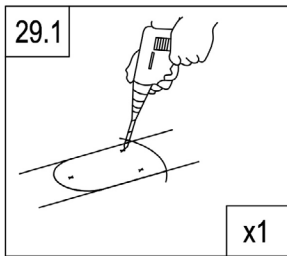
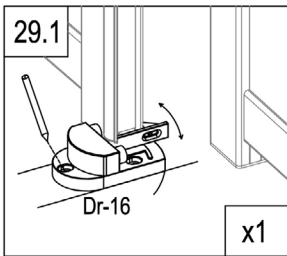
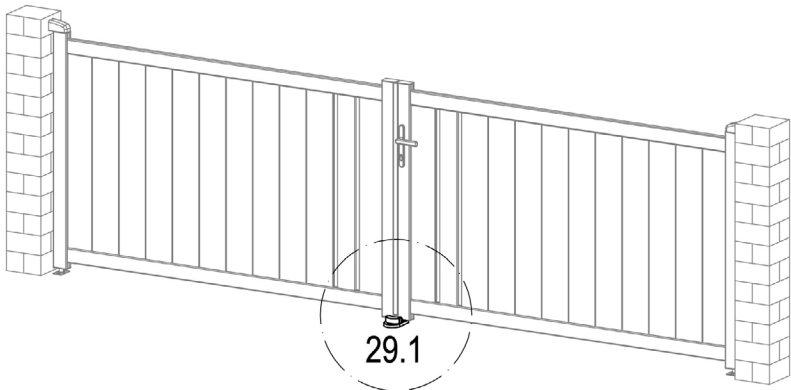





	Dr-11	1
	LR-BM32	2

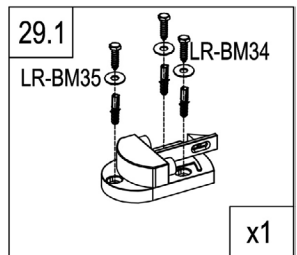




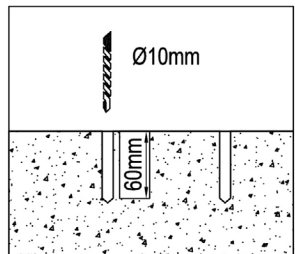
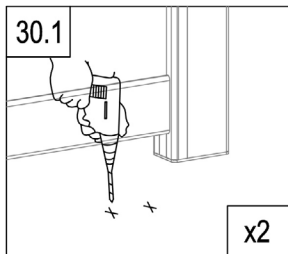
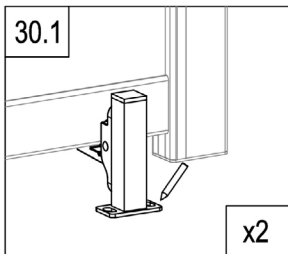
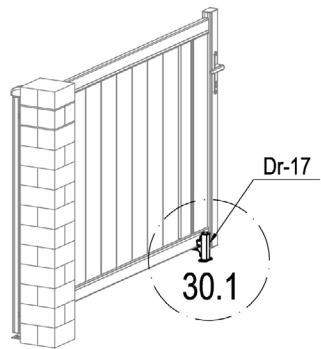
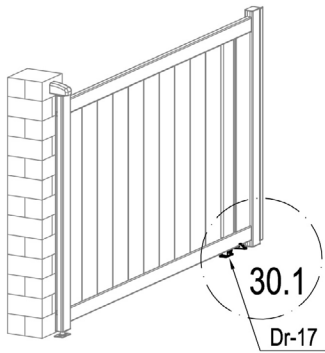
	Dr-15	2
	Dr-31	4





	Dr-16	1
	LR-BM34	3
	LR-BM35	3



CASANOVO



	LR-BM32	4
	Dr-17	2

