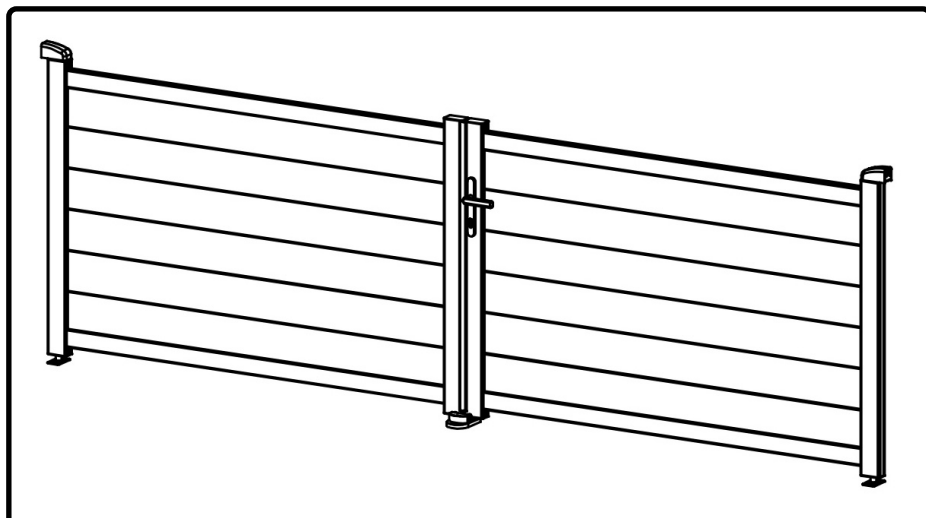


CASANOVO

EIGER 350B115

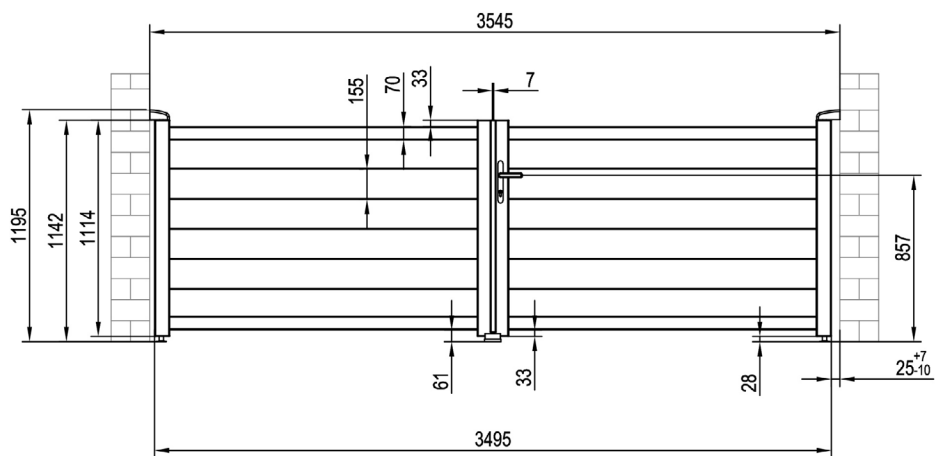


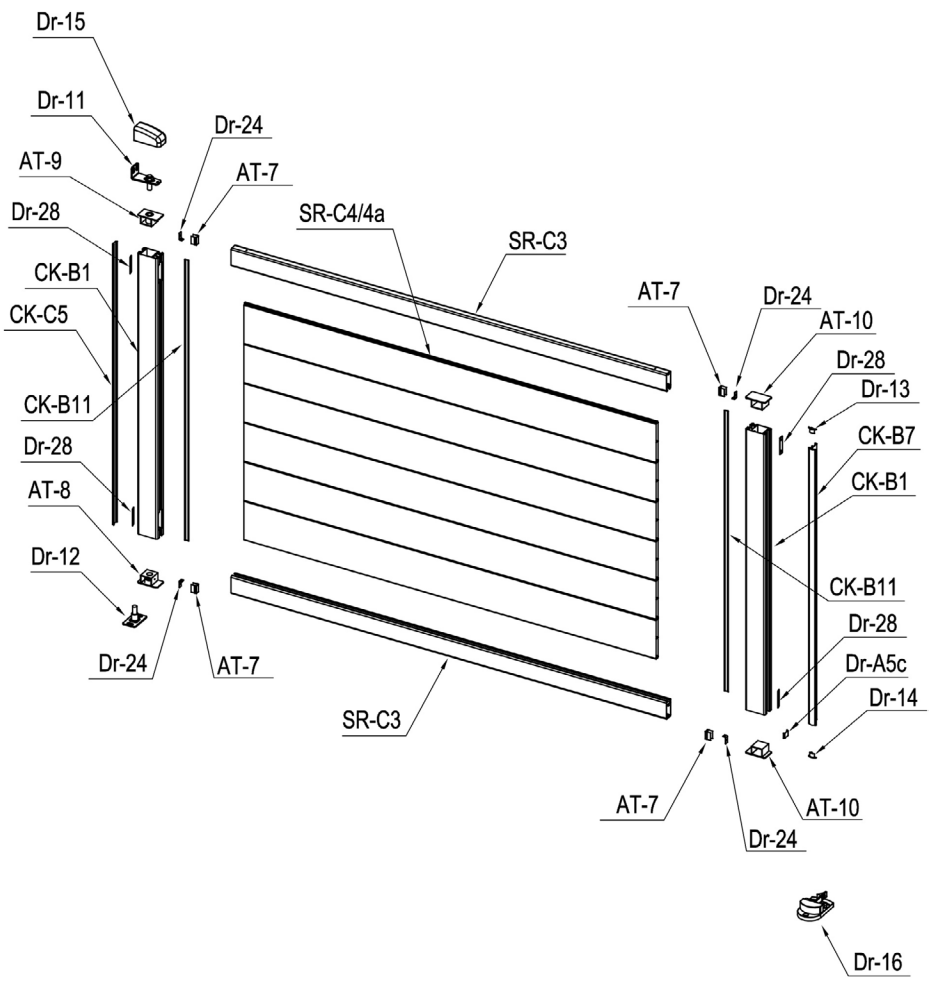
COM-001057 [x1]

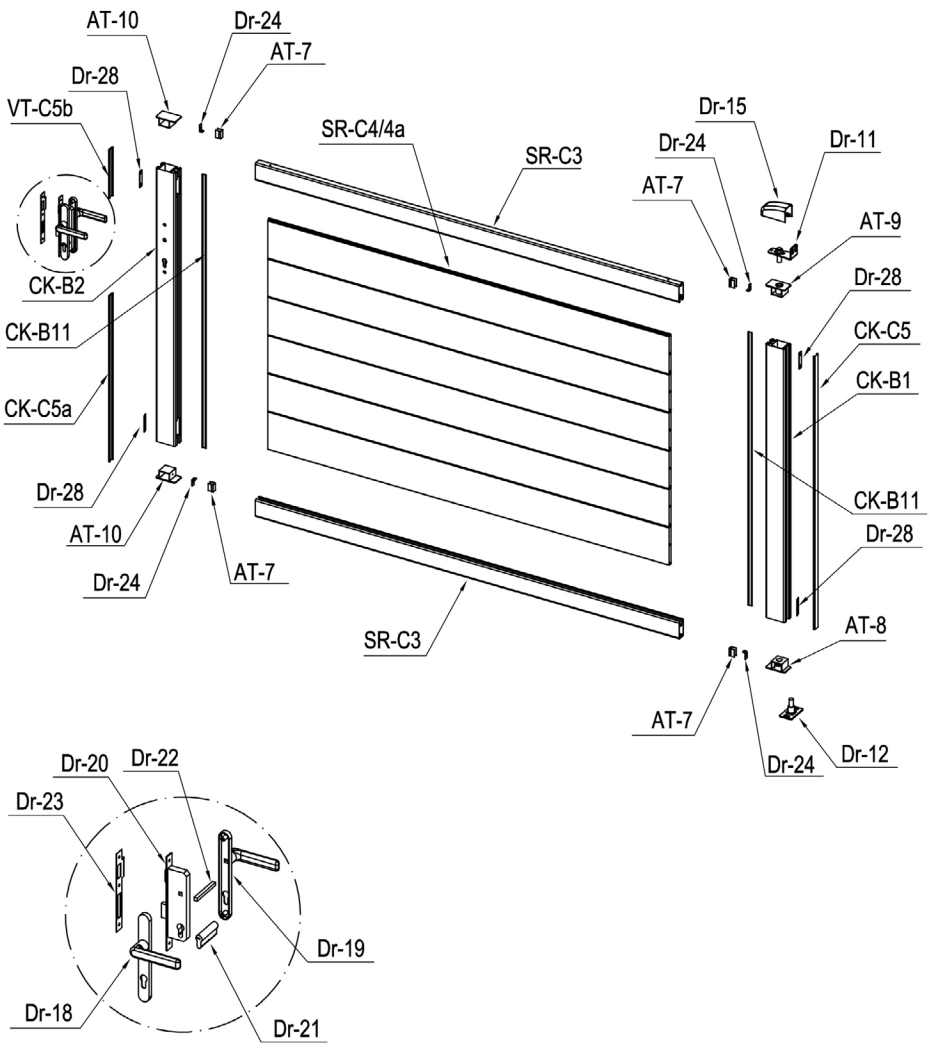
COM-001058 [x1]



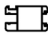


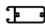

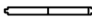
































INSTRUCTION MANUAL / NOTICE DE MONTAGE / MONTAGEANLEITUNG / MANUAL DE MONTAJE / MANUAL DE MONTAGEM / MANUALE DI MONTAGGIO /
MONTAGEHANDLEIDING / INSTRUKCJA MONTAŻU / KÄYTTÖOHJEET / BRUKSANVISNING / BRUGSANVISNING / INSTRUCIUNI DE ASAMBLARE /
NAVODILA ZA SESTAVLJANJE / NÁVOD NA MONTÁŽ / ÖSSZESZERELÉSI ÚTMUTATÓ / NÁVOD K MONTÁŽI / UPUTE ZA INSTALACIJU /
ΟΔΗΓΙΕΣ ΣΥΝΑΡΜΟΛΟΓΗΣΗΣ / SURINKIMO INSTRUKCIJOS / MONTĀŽAS INSTRUKCIJAS

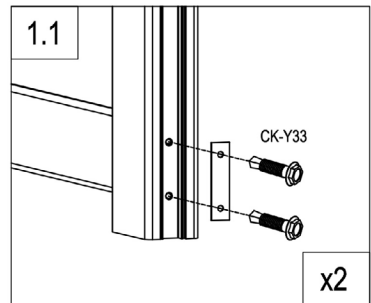
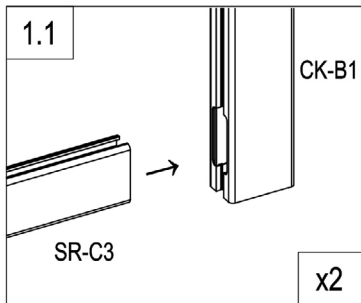
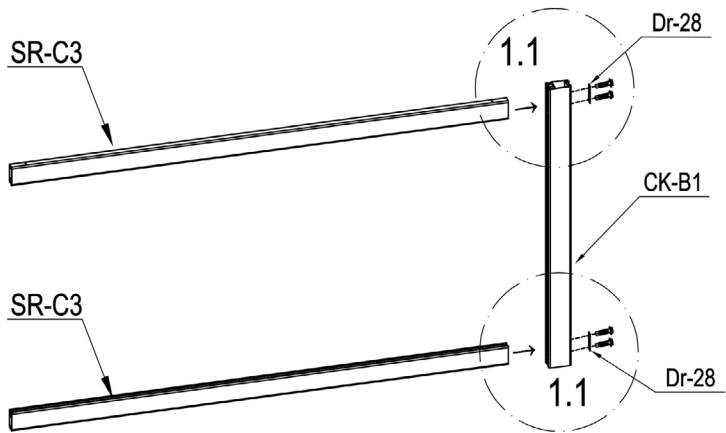


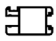
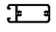




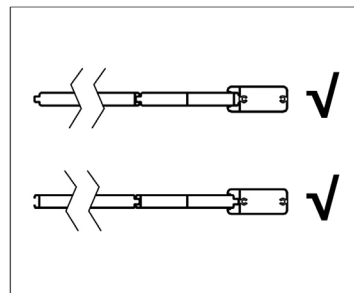
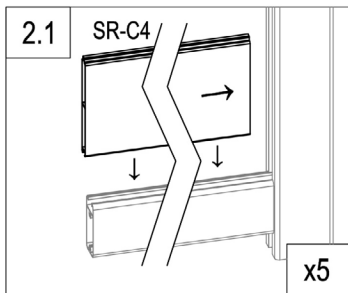
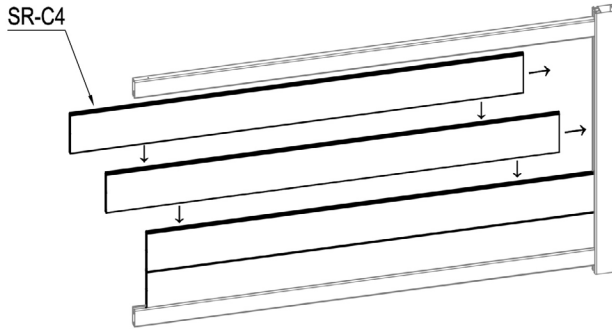


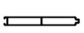
PART LIST

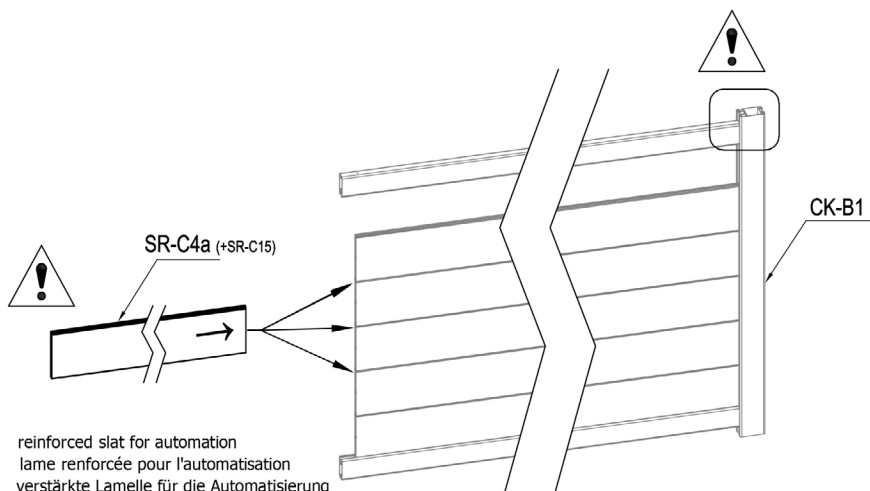
IMAGE	NO.	L.(mm)	QTY	IMAGE	NO.	L.(mm)	QTY
	CK-B1	1108	3		Dr-17		2
	CK-B2	1108	1			Dr-31	
	SR-C3	1721	4		Dr-18		1
	SR-C4	1630	10		Dr-19		1
	SR-C4a (+SR-C15)	1630	2		Dr-20		1
	CK-C5	1108	2		Dr-21		1
	VT-C5b	194.5	1		Dr-22		1
	CK-C5a	673	1		Dr-23		1
	Dr-A5c	19.5	1		Dr-24		8
	CK-B11	1108	4		Dr-25		1
	AT-7	29.5	8		Dr-25a		2
	CK-B7	1088	1		Dr-26		3
	AT-8		2		Dr-27		2
	AT-9		2		CK-Y30		8
	AT-10		4		CK-Y31		8
	Dr-11		2		CK-Y32		12
	Dr-12		2		CK-Y33		16
	Dr-13		1		CK-Y34		3
	Dr-14		1		CK-Y35		3
	Dr-15		2		CK-Y36		48
	Dr-16		1		Dr-28		8



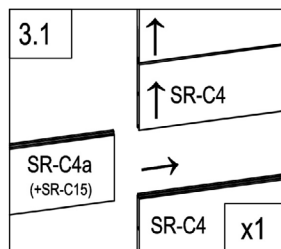
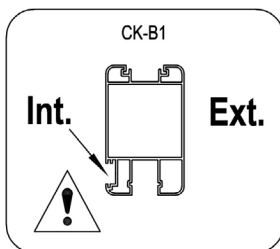
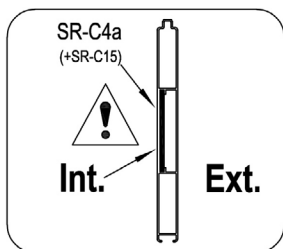
	CK-B1	1
	SR-C3	2
	Dr-28	2
	CK-Y33	4




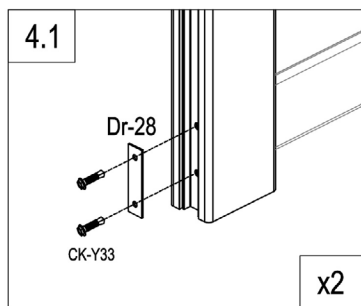
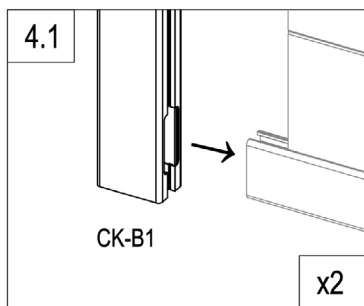
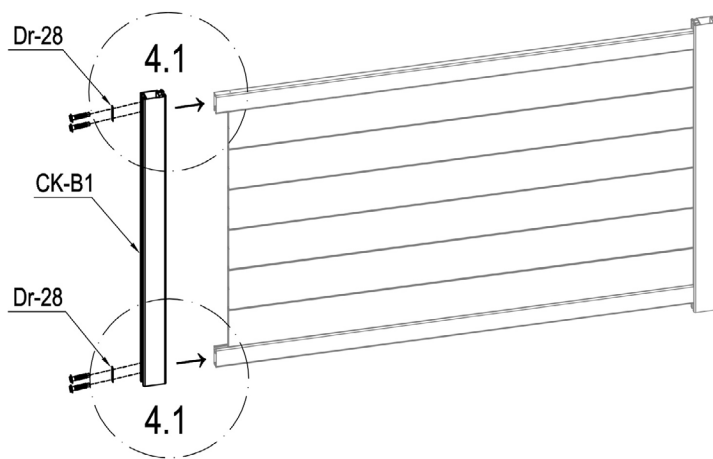
	SR-C4	5
---	-------	---

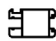




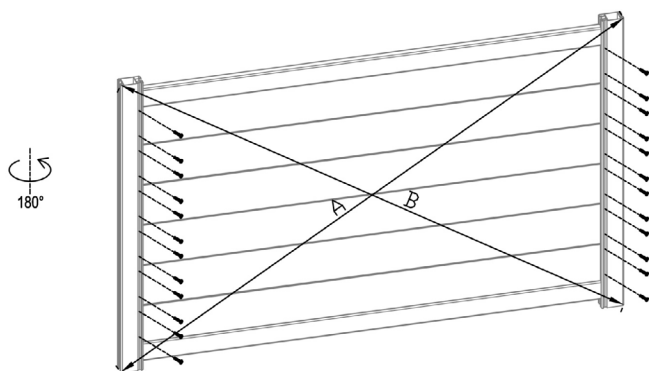
- EN: reinforced slat for automation
- FR: lame renforcée pour l'automatisation
- DE: verstärkte Lamelle für die Automatisierung
- ES: Lámina reforzada para la automatización
- PT: ripa reforçada para automatização
- IT: lamella rinforzata per l'automazione
- NL: versterkte lat voor automatisering
- PL: wzmocniona listwa do automatyzacji



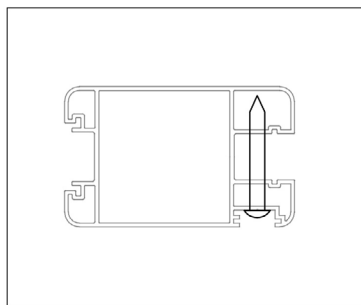
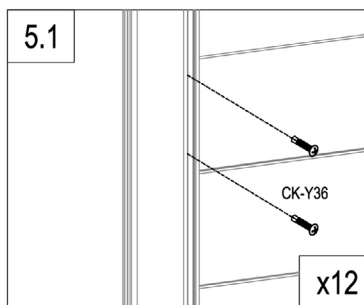
	SR-C4a (+SR-C15)	1
---	------------------	---




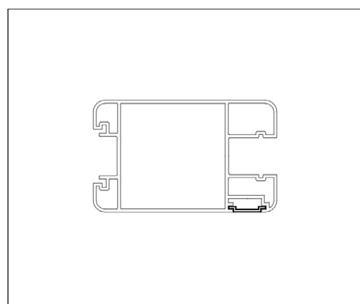
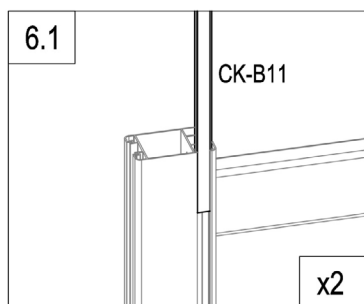
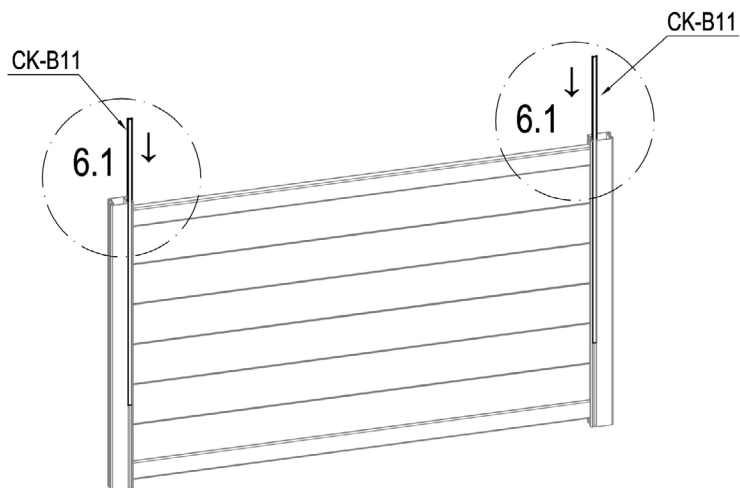
	CK-B1	1
	Dr-28	2
	CK-Y33	4




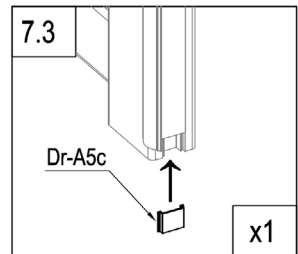
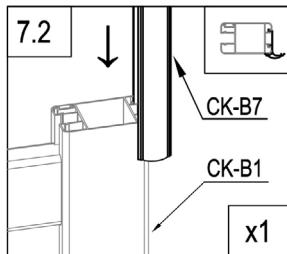
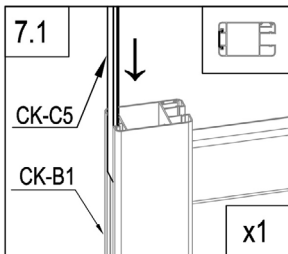
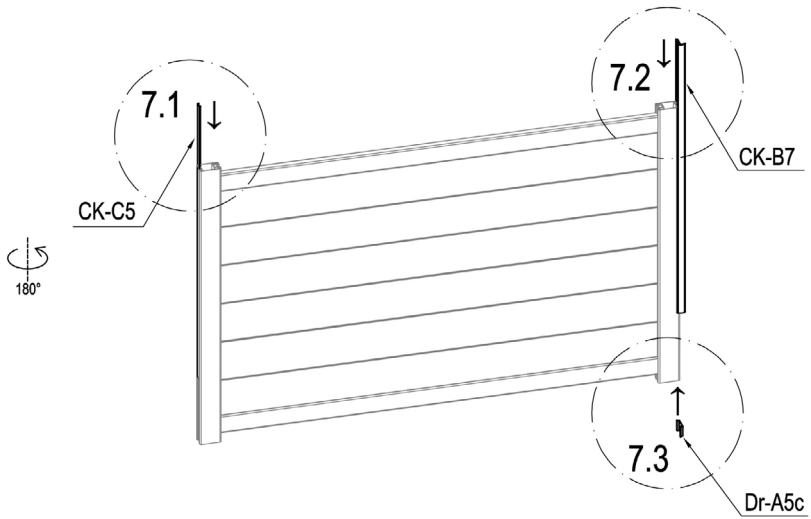
A=B


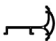


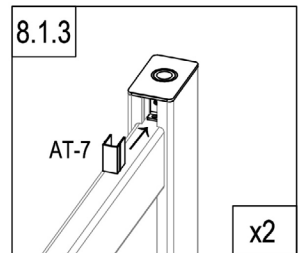
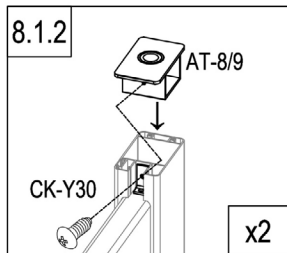
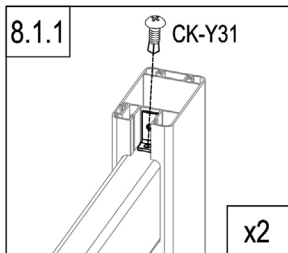
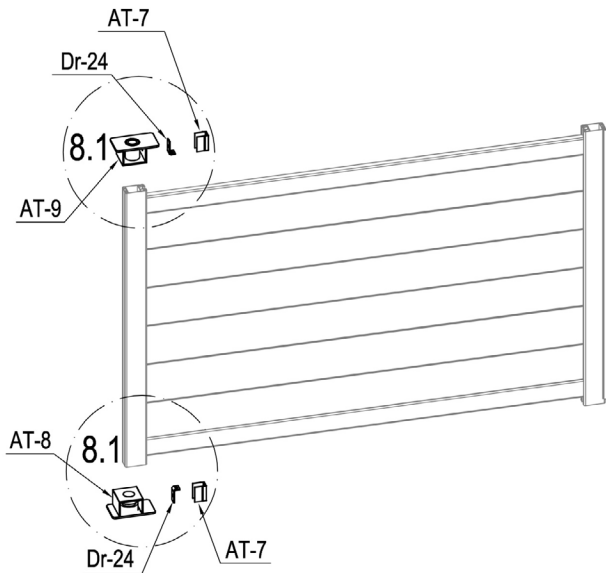
	CK-Y36	24
---	--------	----



	CK-B11	2
---	--------	---

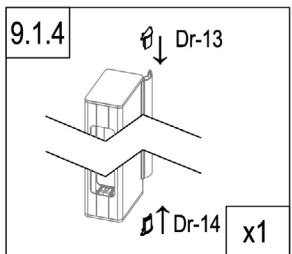
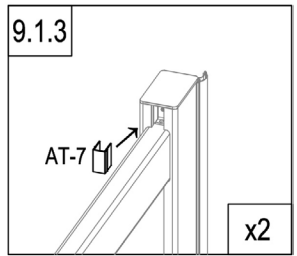
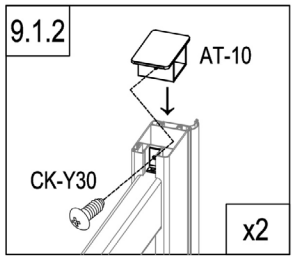
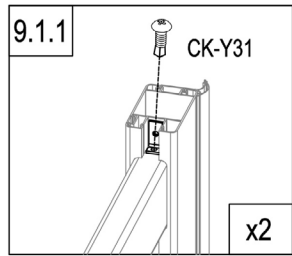
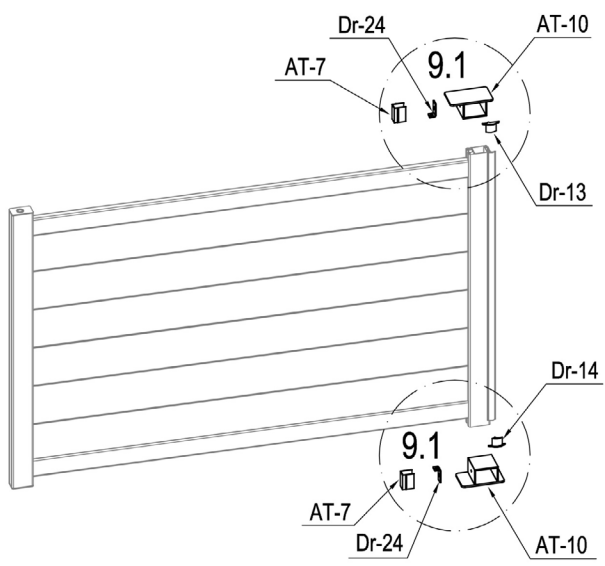


	CK-C5	1
	Dr-A5c	1
	CK-B7	1



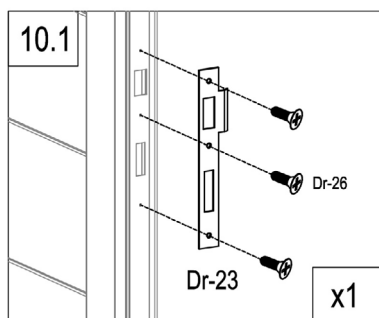
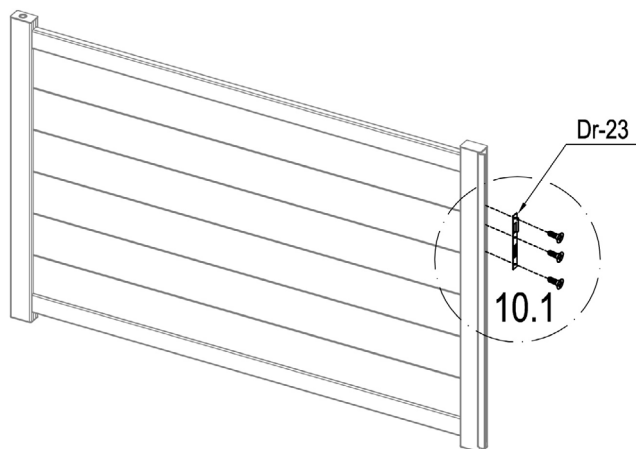
	AT-8	1
	AT-9	1
	Dr-24	2



	AT-7	2
	CK-Y30	2
	CK-Y31	2

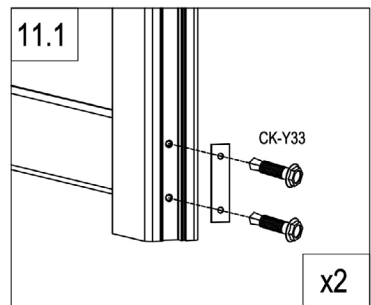
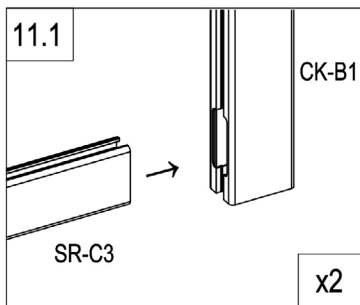
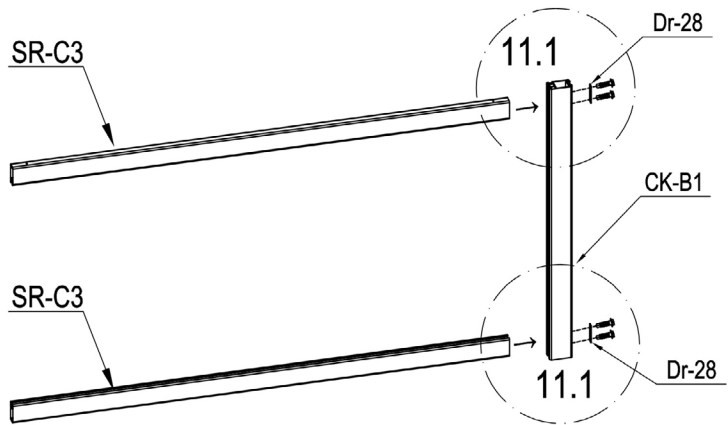


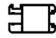
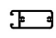


	AT-10	2
	Dr-24	2
	AT-7	2
	Dr-13	1

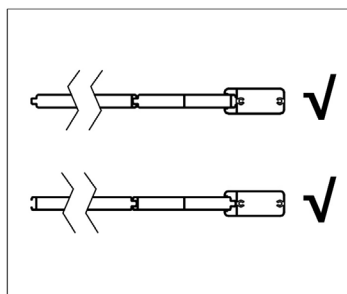
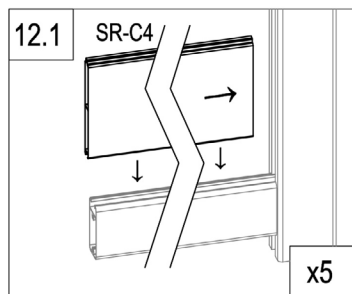
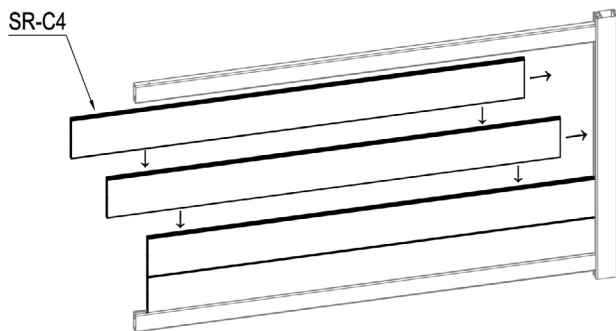
	Dr-14	1
	CK-Y30	2
	CK-Y31	2

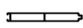


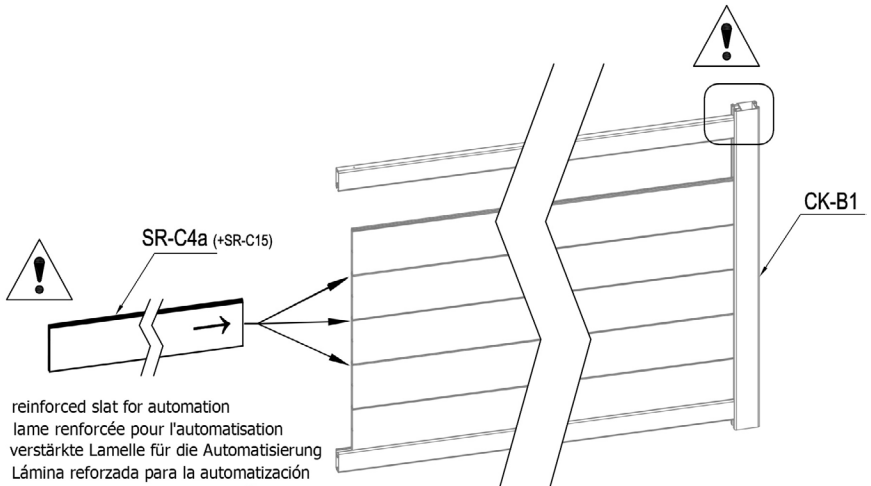
	Dr-23	1
	Dr-26	3



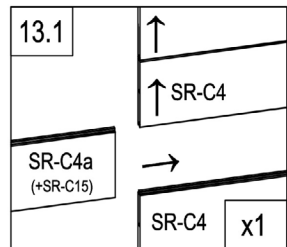
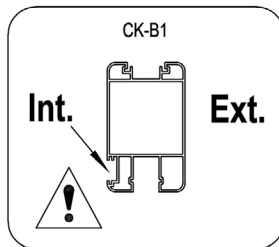
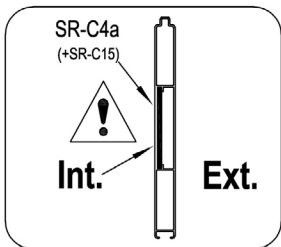
	CK-B1	1
	SR-C3	2
	Dr-28	2
	CK-Y33	4



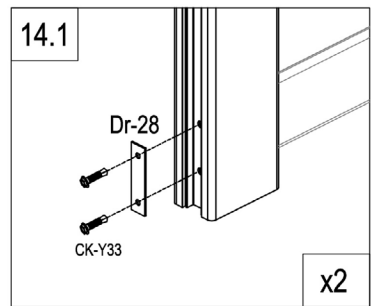
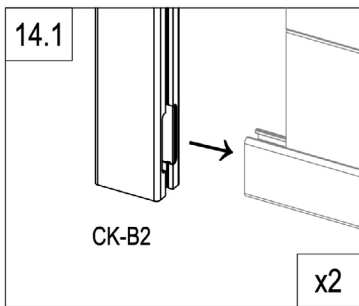
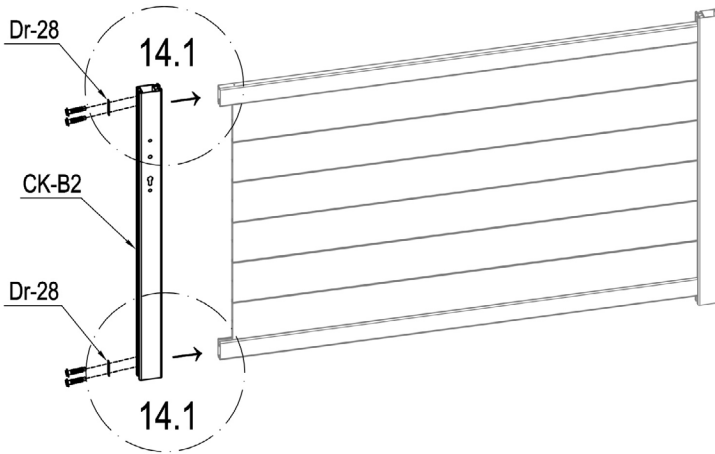
	SR-C4	5
---	-------	---

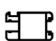




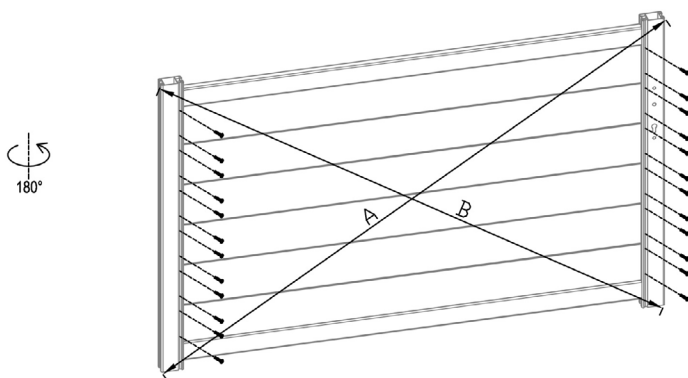
- EN: reinforced slat for automation
 FR: lame renforcée pour l'automatisation
 DE: verstärkte Lamelle für die Automatisierung
 ES: Lámina reforzada para la automatización
 PT: ripa reforçada para automatização
 IT: lamella rinforzata per l'automazione
 NL: versterkte lat voor automatisering
 PL: wzmocniona listwa do automatyzacji



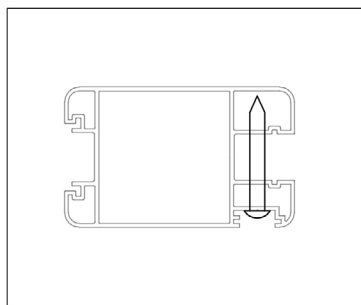
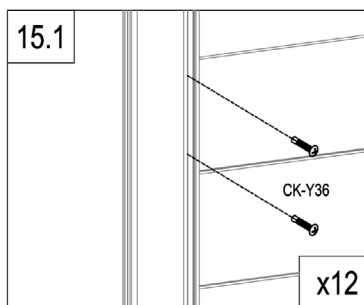
	SR-C4a (+SR-C15)	1
--	------------------	---




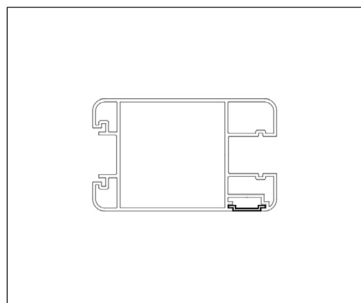
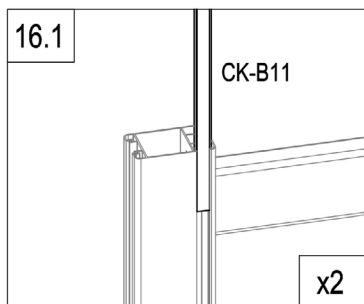
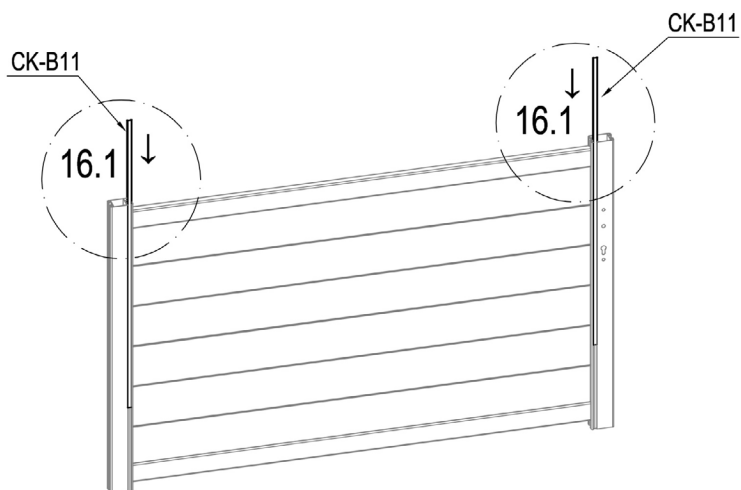
	CK-B2	1
	Dr-28	2
	CK-Y33	4




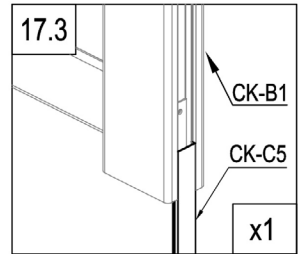
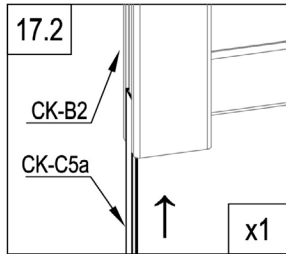
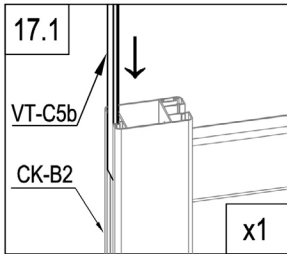
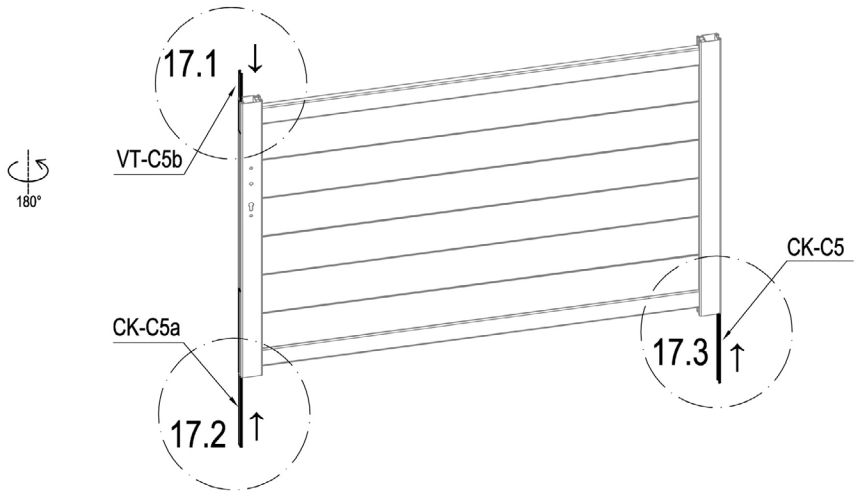
A=B




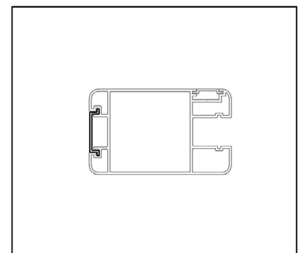
	CK-Y36	24
---	--------	----

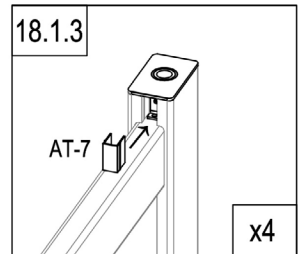
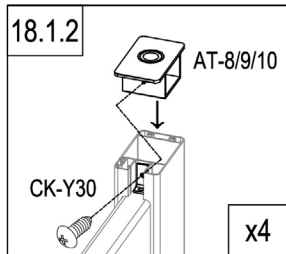
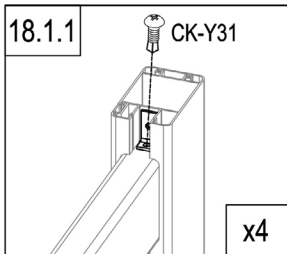
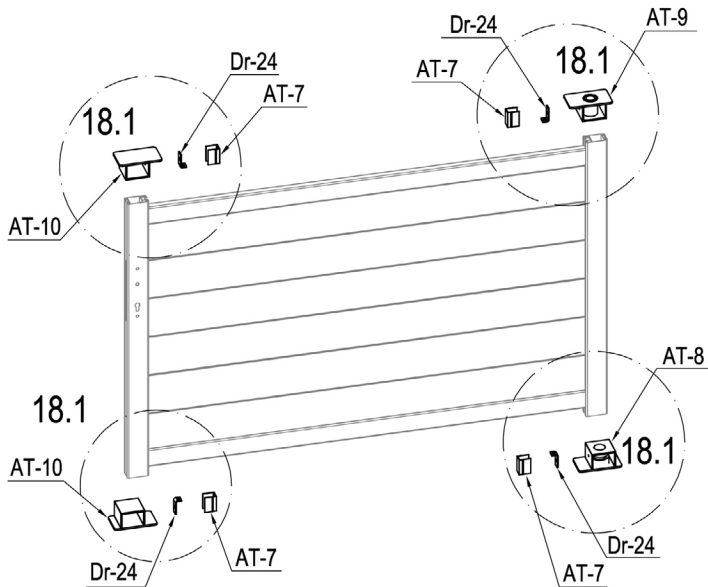


	CK-B11	2
---	--------	---



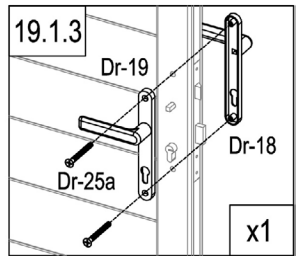
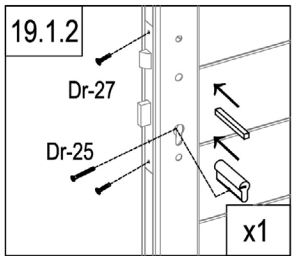
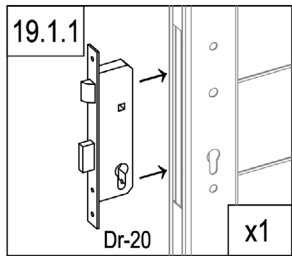
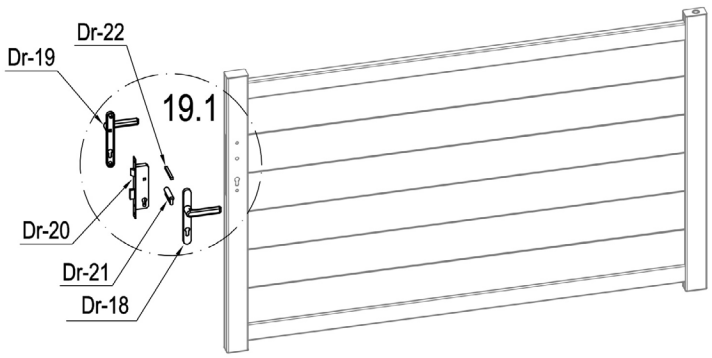
	CK-C5	1
	CK-C5a	1
	VT-C5b	1





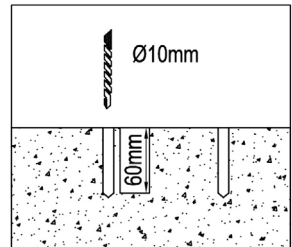
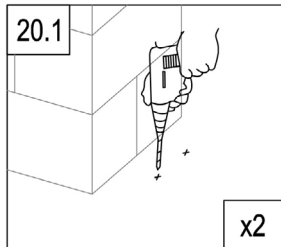
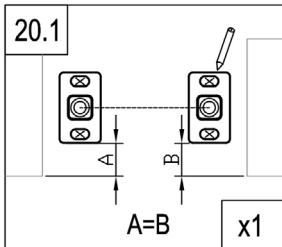
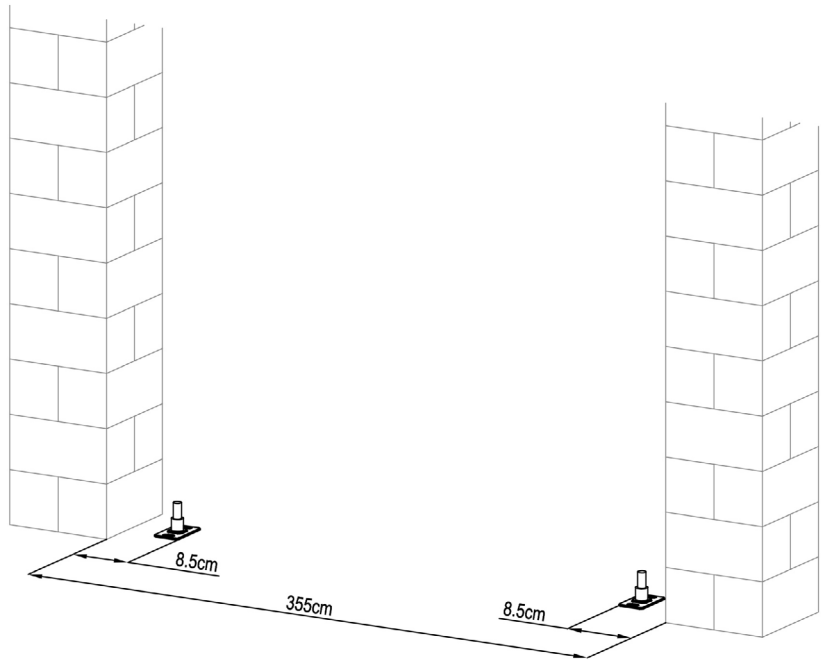
	AT-8	1
	AT-9	1
	AT-10	2
	Dr-24	4

	AT-7	4
	CK-Y30	4
	CK-Y31	4

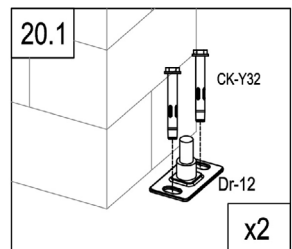


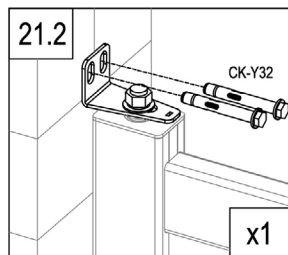
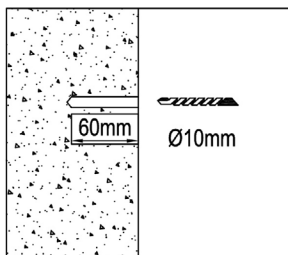
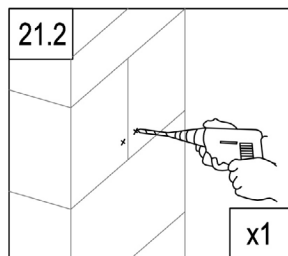
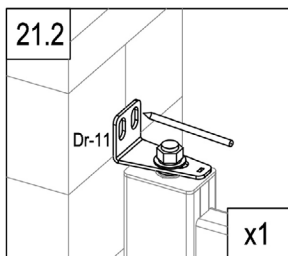
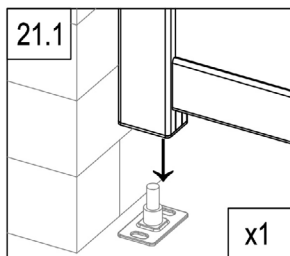
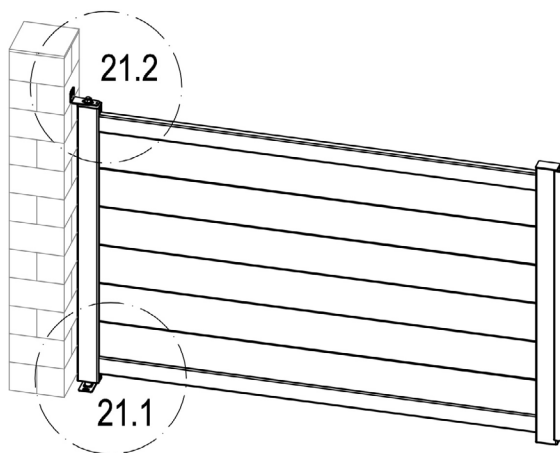
	Dr-20	1
	Dr-21	1
	Dr-22	1
	Dr-25	1



	Dr-18	1
	Dr-19	1
	Dr-25a	2
	Dr-27	2

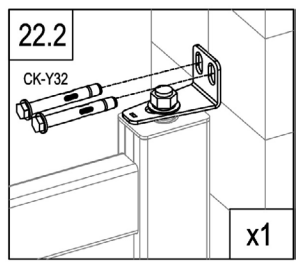
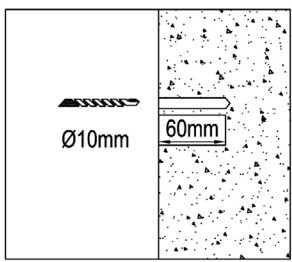
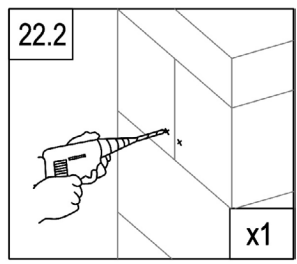
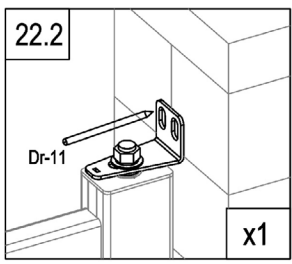
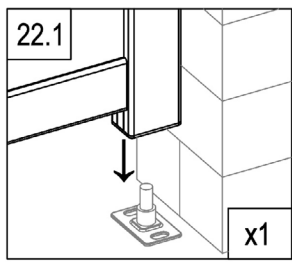
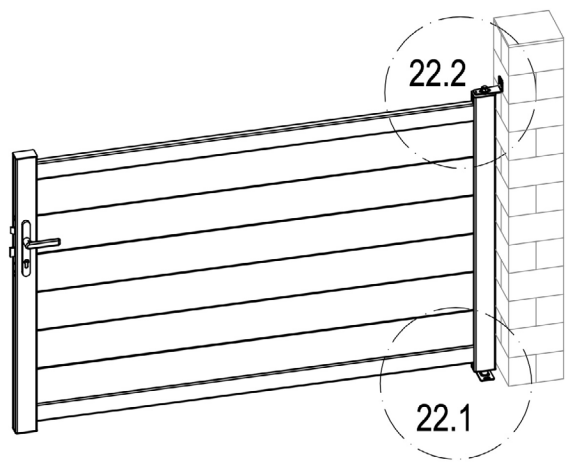




	Dr-12	2
	CK-Y32	4

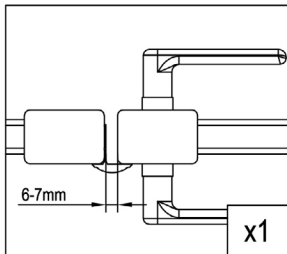
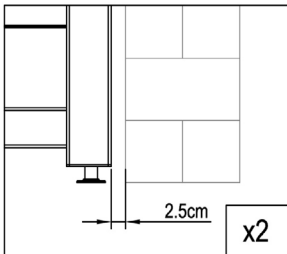
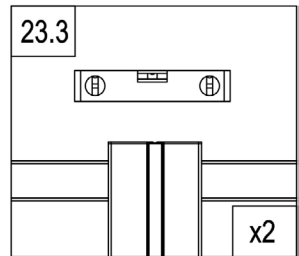
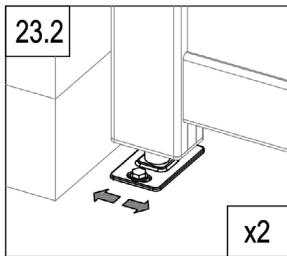
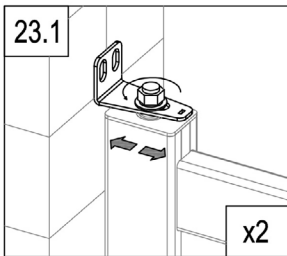
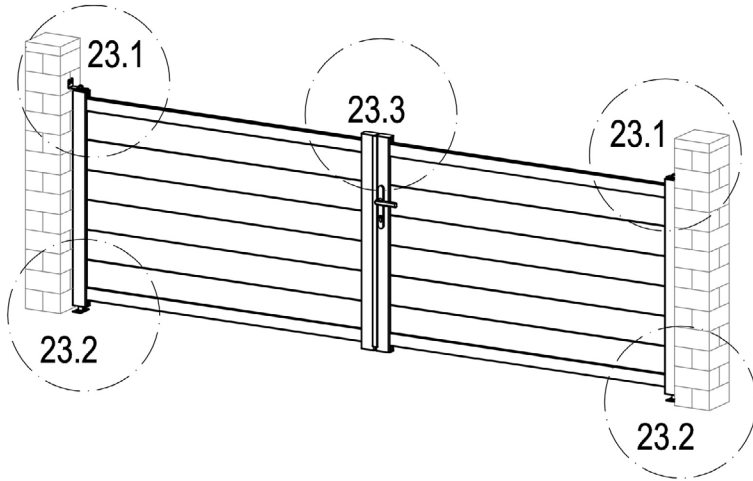


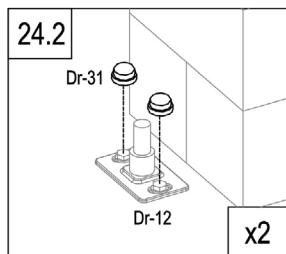
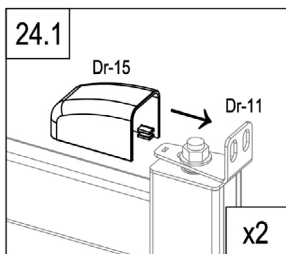
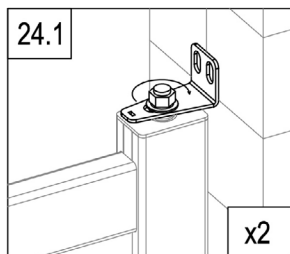
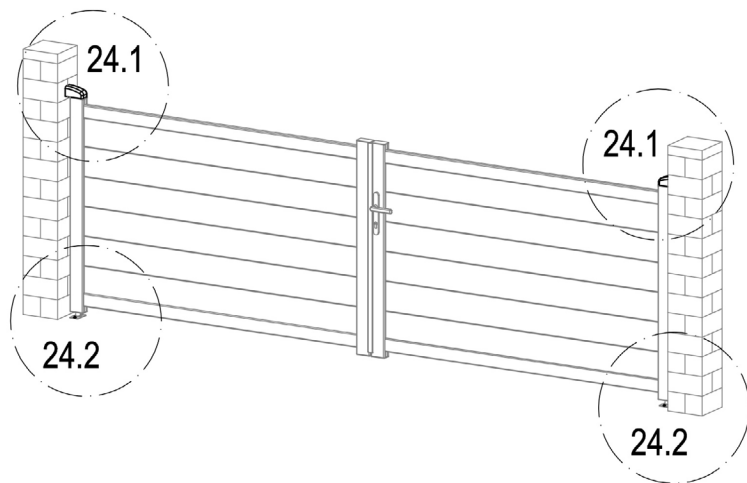


	Dr-11	1
	CK-Y32	2

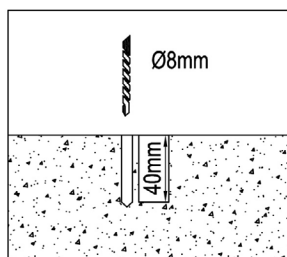
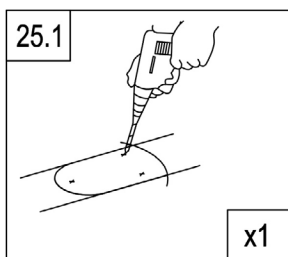
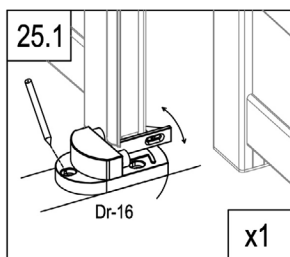
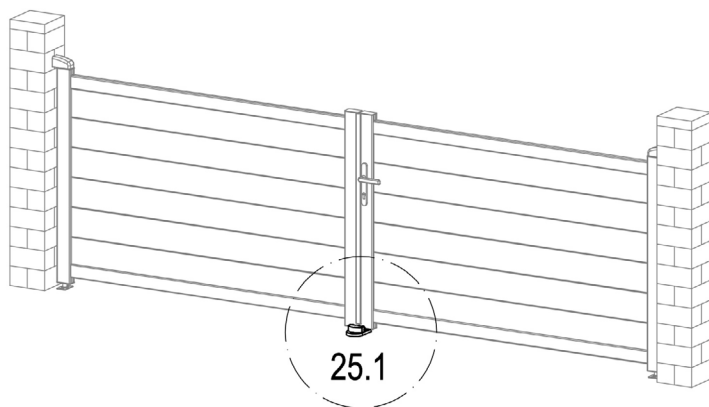





	Dr-11	1
	CK-Y32	2

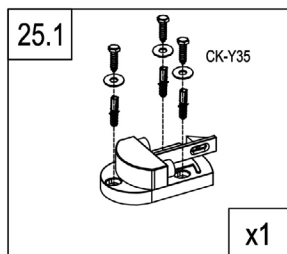


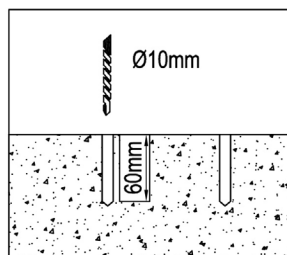
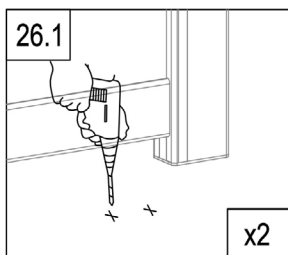
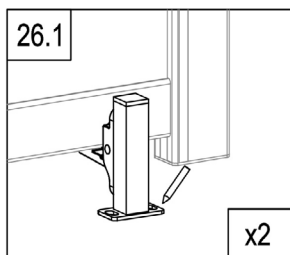
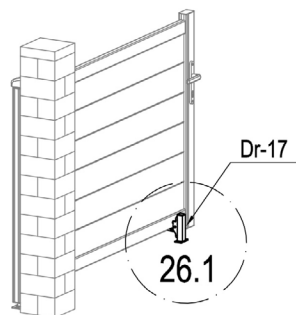
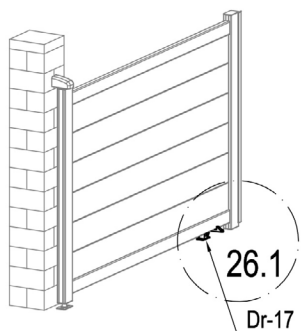




	Dr-15	2
	Dr-31	4



	Dr-16	1
	CK-Y34	3
	CK-Y35	3





	CK-Y32	4
	Dr-17	2

