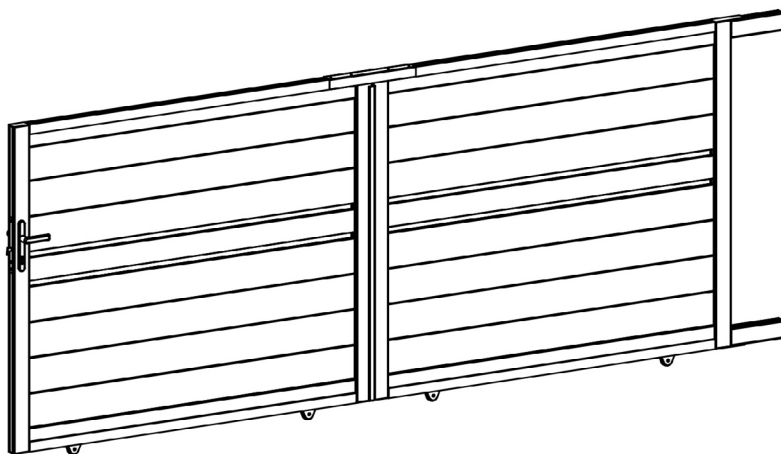


CASANOVO

CIMONE 350C140



COM-001199 [x1]

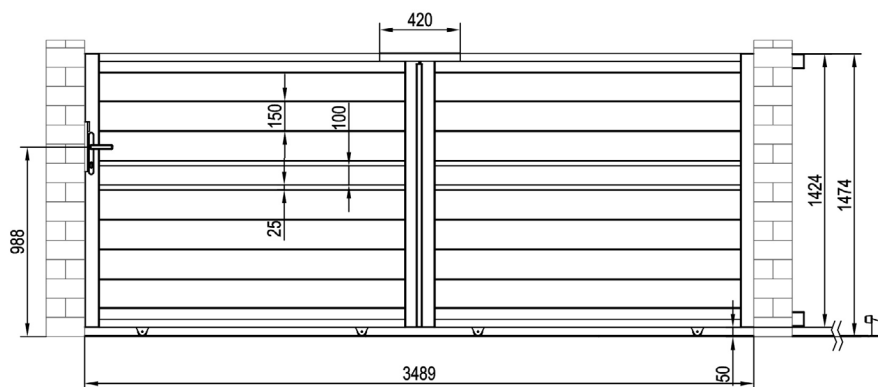
COM-001200 [x1]

COM-001201 [x1]

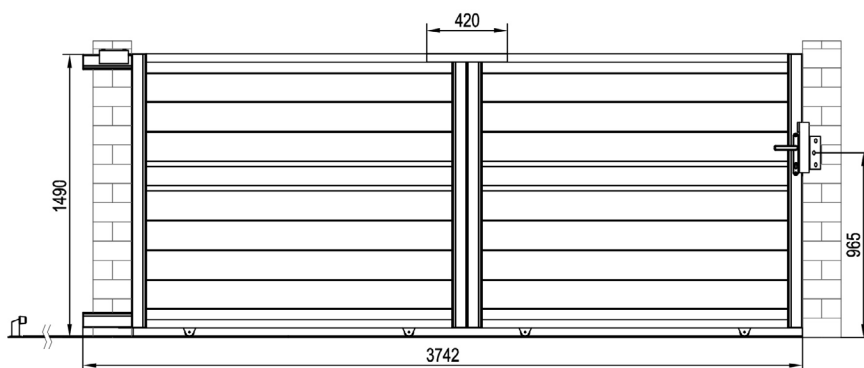


INSTRUCTION MANUAL / NOTICE DE MONTAGE / MONTAGEANLEITUNG / MANUAL DE MONTAJE / MANUAL DE MONTAGEM / MANUALE DI MONTAGGIO /
MONTAGEHANDLEIDING / INSTRUKCJA MONTAŻU / KÄYTTÖOHJEET / BRUKSANVISNING / INSTRUKCIJONI DE ASAMBLARE /
NAVODILA ZA SESTAVLJANJE / NÁVOD NA MONTÁŽ / ÖSSZESZERELÉSI ÚTMUTATÓ / NÁVOD K MONTÁŽI / UPUTE ZA INSTALACIJU /
ΟΔΗΓΙΕΣ ΣΥΝΑΡΜΟΛΟΓΗΣΗΣ / SURINKIMO INSTRUKCIJOS / MONTĀŽAS INSTRUKCIJAS

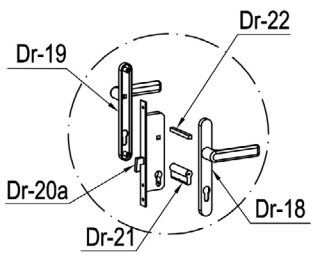
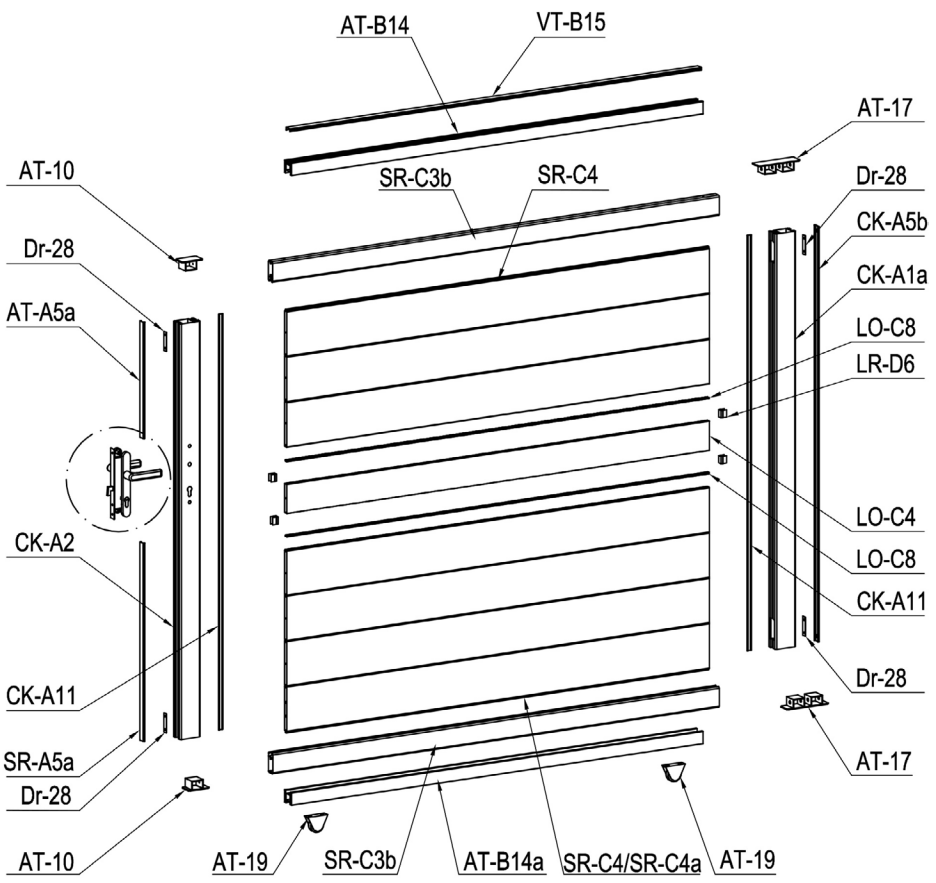
Ext.

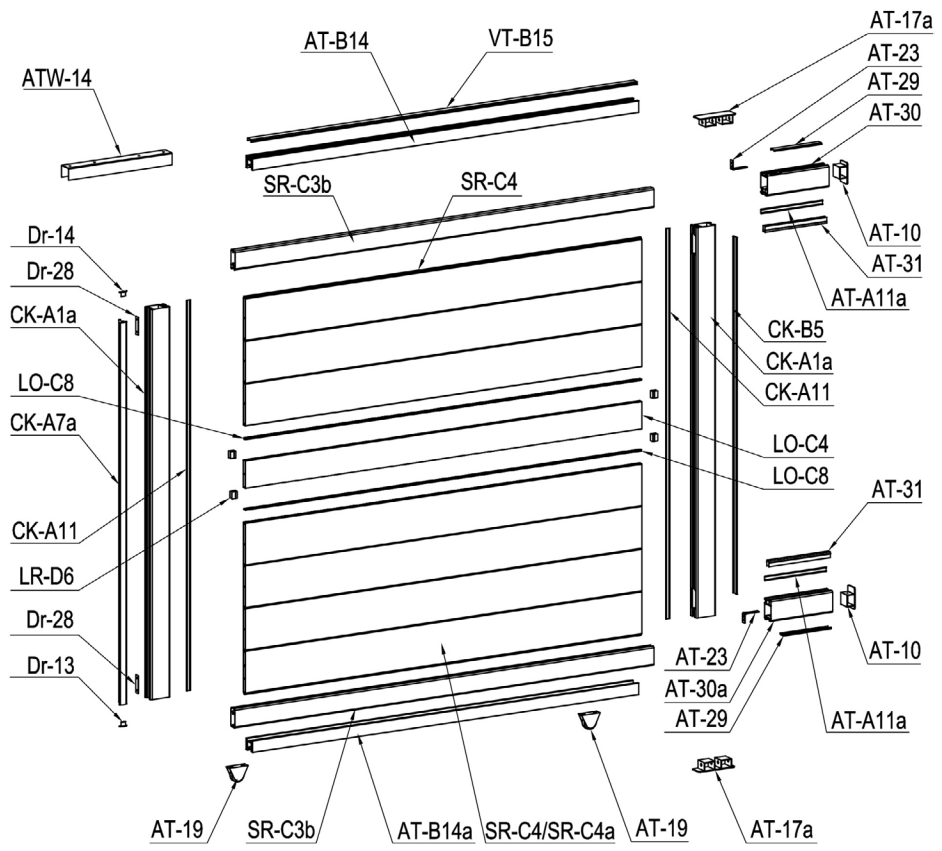


Int.



CASANOVO





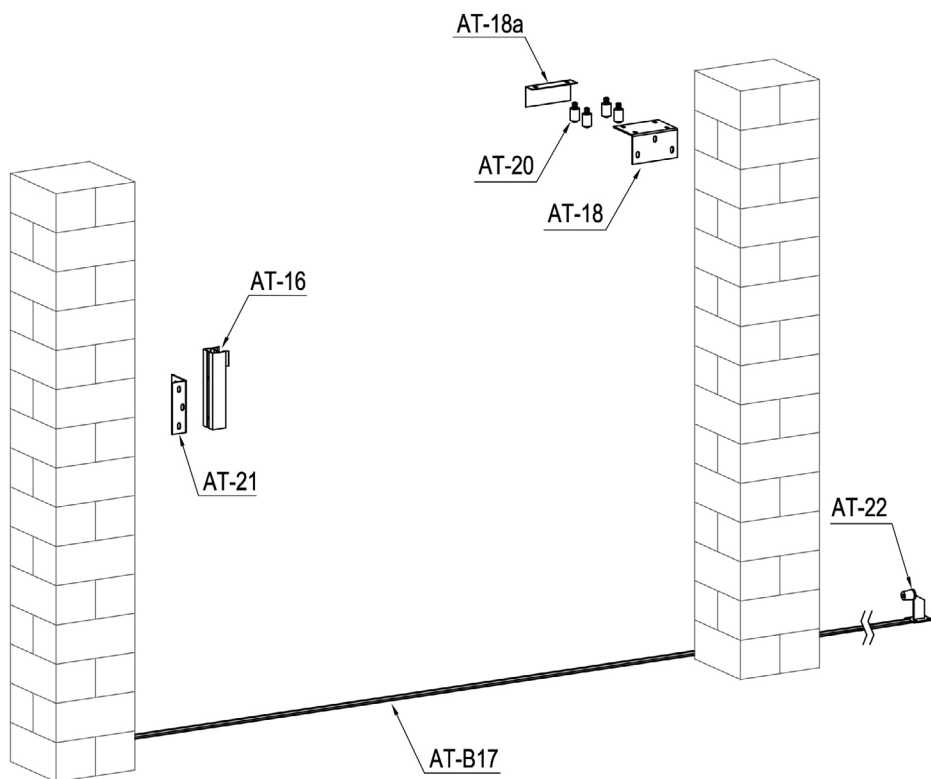





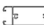





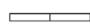





























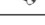




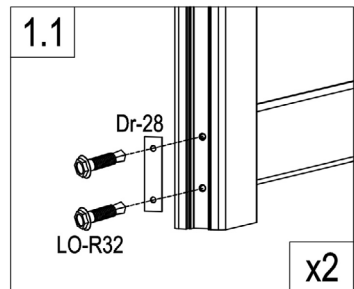
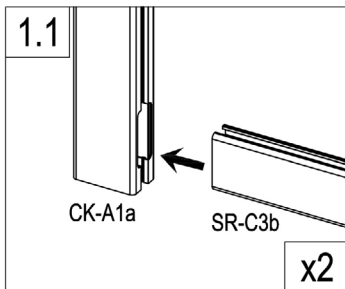
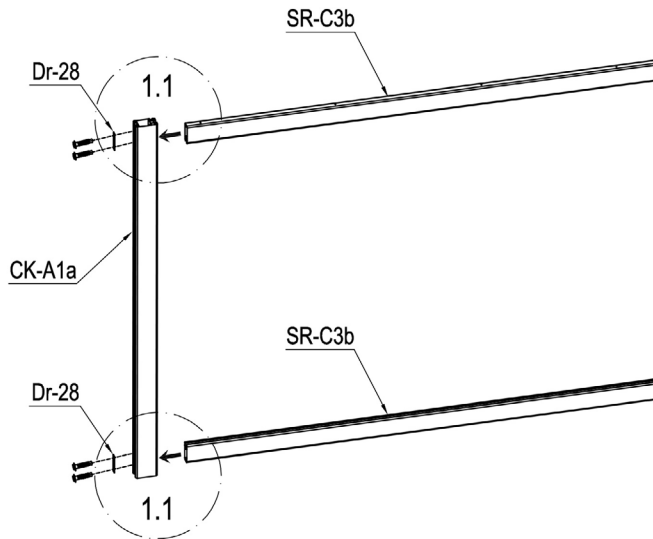
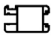
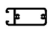


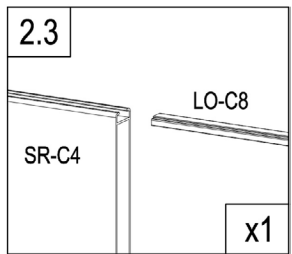
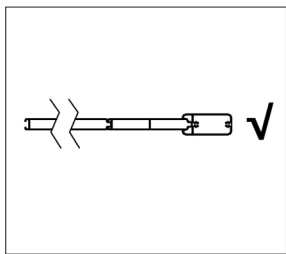
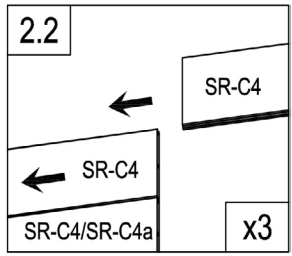
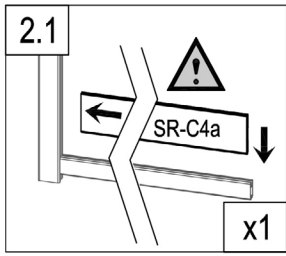
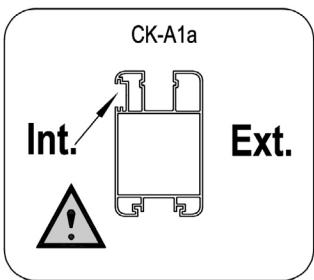
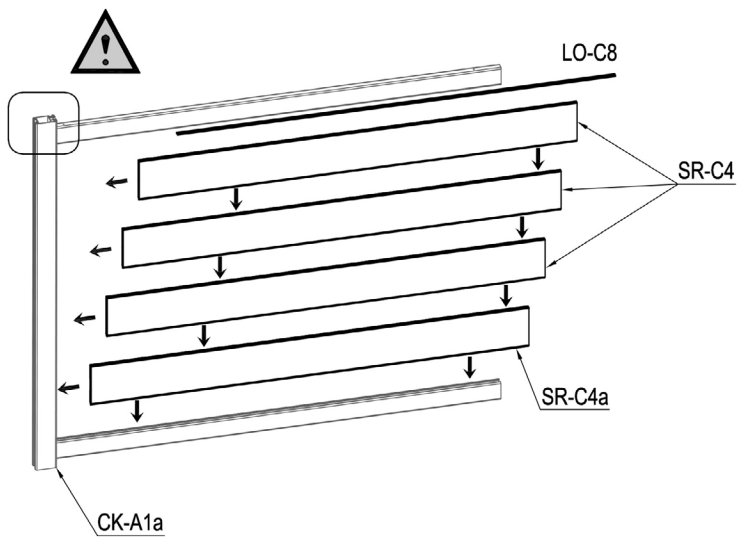

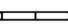



IMAGE	NO.	L.(mm)	QTY	IMAGE	NO.	L.(mm)	QTY
	CK-A1a	1418	3		Dr-14		1
	CK-A2	1418	1		AT-18		1
	AT-30	250	1		AT-18a		1
	AT-30a	250	1		ATW-14	420	1
	SR-C3b	1721	4		AT-19		4
	SR-C4a	1630	2		AT-20		4
	SR-C4	1630	12		AT-21		1
	LO-C4	1630	2		AT-22		1
	CK-A5b	1418	1		AT-23		2
	CK-B5	1293	1		Dr-18		1
	AT-A5a	395.5	1		Dr-19		1
	SR-A5a	782	1		Dr-20a		1
	AT-29	193	2		Dr-21		1
	CK-A11	1418	4		Dr-22		1
	AT-A11a	250	2		Dr-25		1
	AT-31	250	2		Dr-25a		2
	LR-D6	25	8		Dr-27		2
	LO-C8	1629	4		Dr-28		6
	CK-A7a	1365	1		AT-22J		7
	AT-B14	1588	2		LO-R30	ST4x10	4
	AT-B14a	1588	2		LO-R31	M8x60	10
	VT-B15	1587	2		LO-R32	ST5.5x38	32
	AT-16	260	1		LO-R33	M8x130	4
	AT-B17	1412	5		LO-R34	ST4.8x38	64
	AT-17		2		LO-R35	ST4.2x19	6
	AT-17a		2		LO-R36	M6x20	2
	AT-10		4		LO-R37	M8x20	8
	Dr-13		1		LO-R38	ST4x25	50

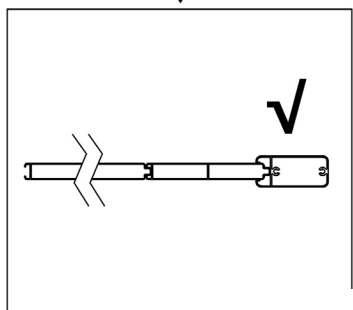
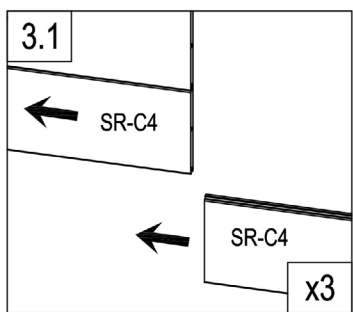
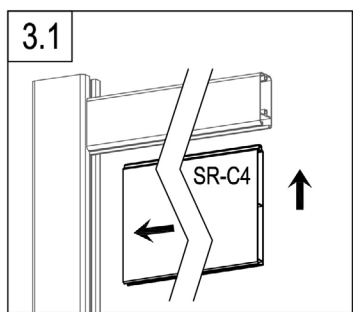
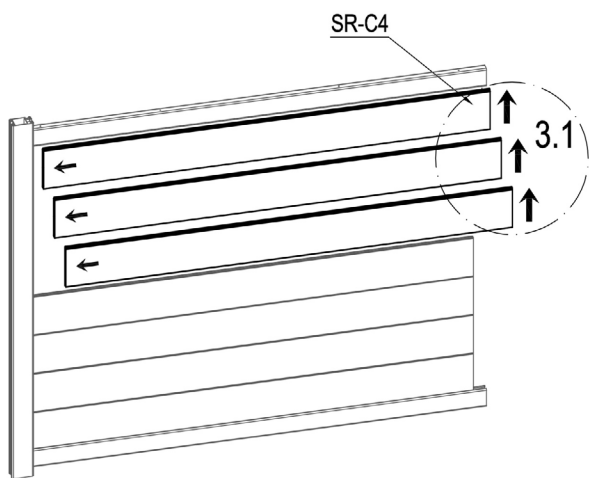


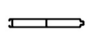
	CK-A1a	1
	SR-C3b	2
	Dr-28	2
	LO-R32	4



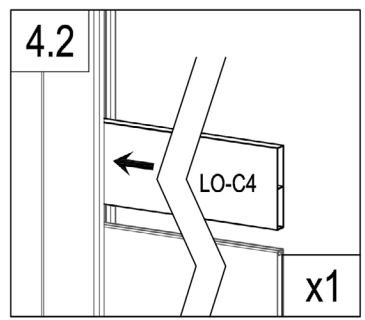
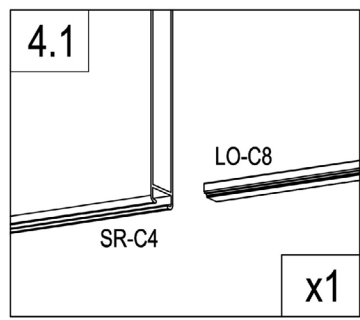
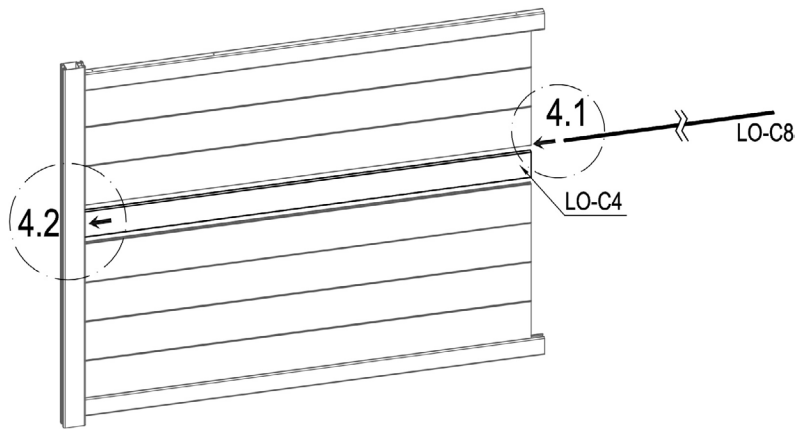
	LO-C8	1
	SR-C4	3
	SR-C4a	1



CASANOVA

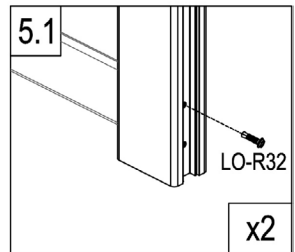
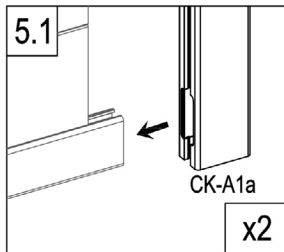
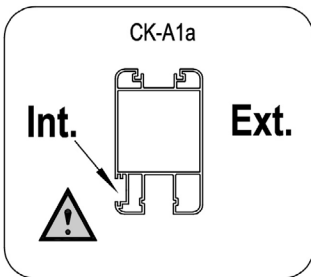
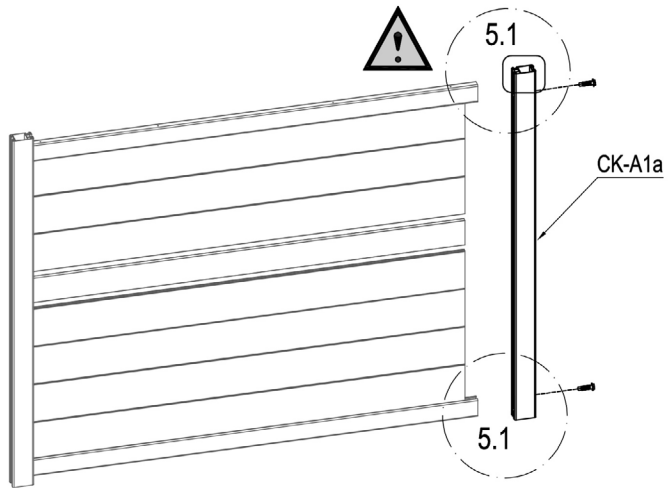


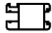

	SR-C4	3
---	-------	---

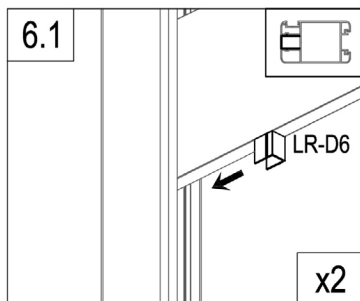
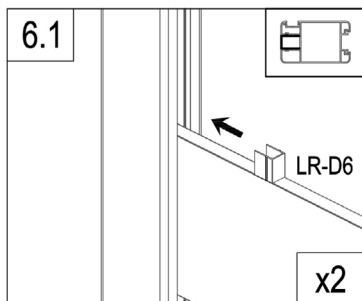
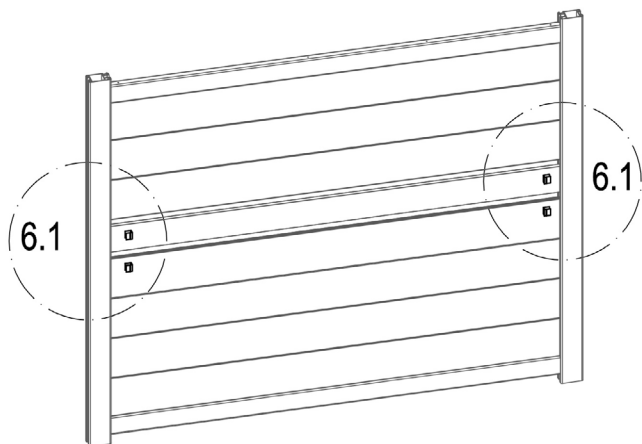
CASANOVA



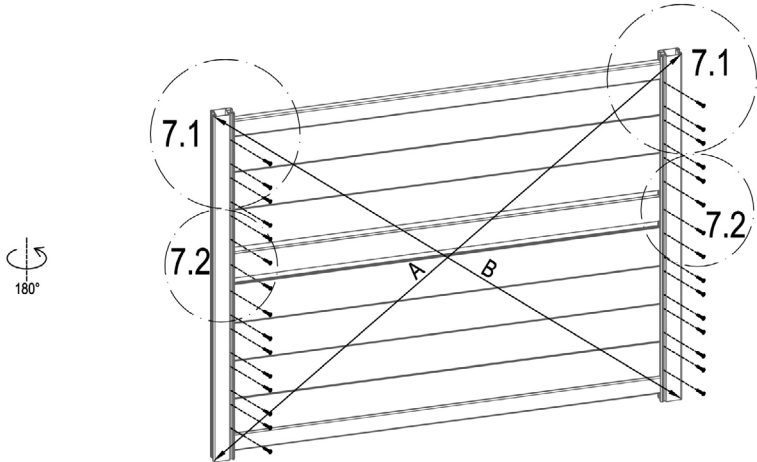
	LO-C4	1
	LO-C8	1



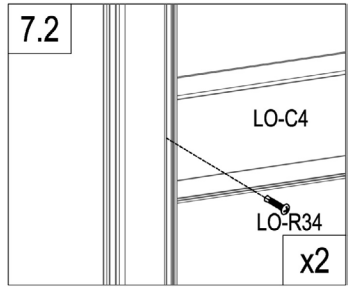
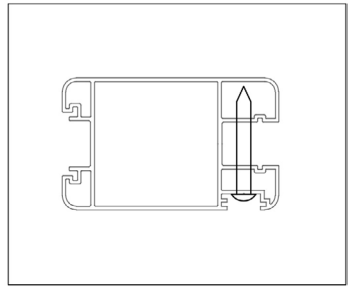
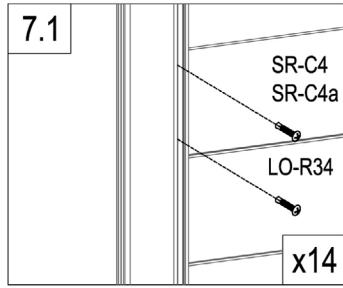
	CK-A1a	1
	LO-R32	2



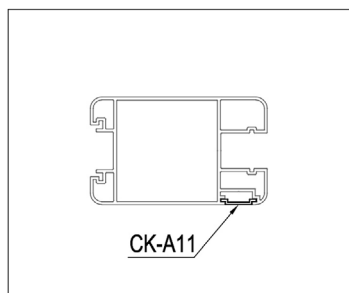
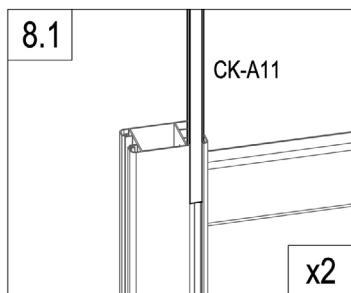
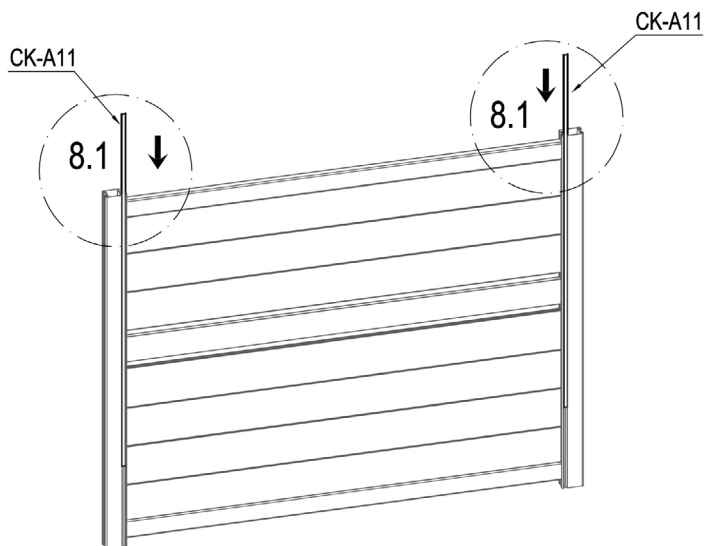
	LR-D6	4
---	-------	---




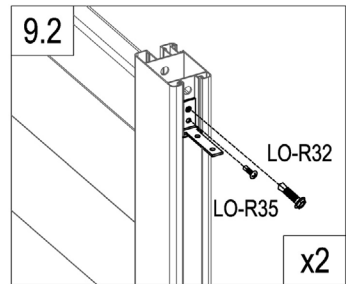
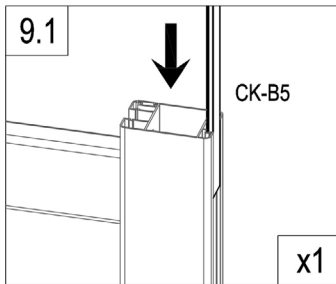
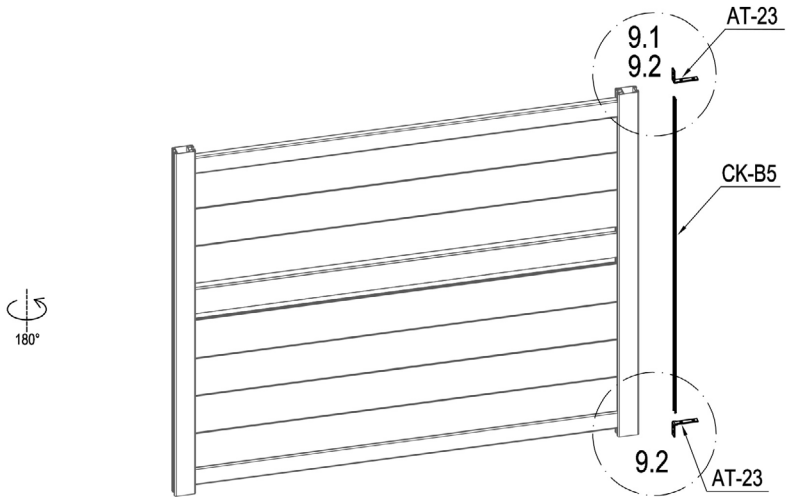
A=B



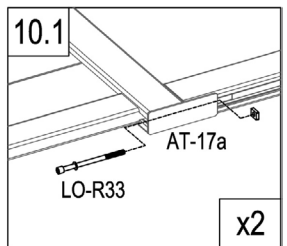
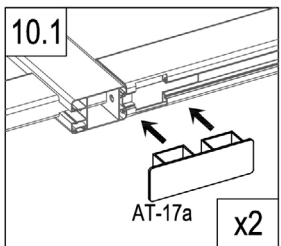
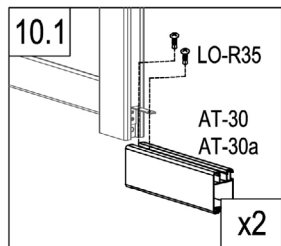
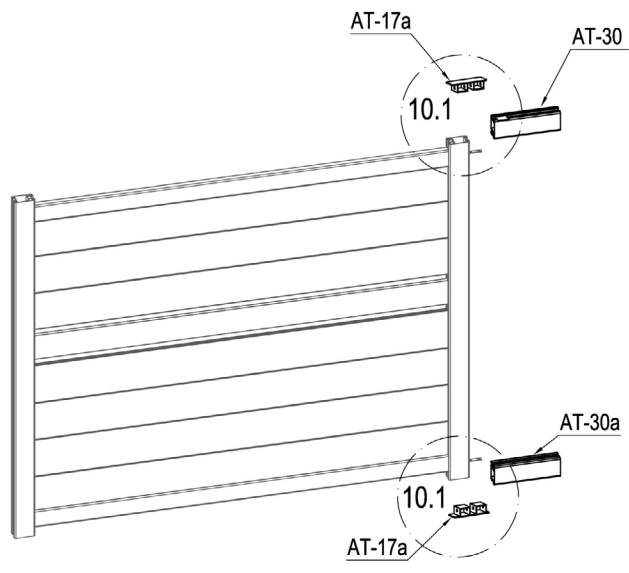
	LO-R34	30
---	--------	----



	CK-A11	2
---	--------	---

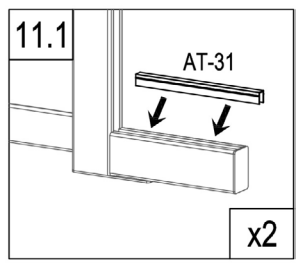
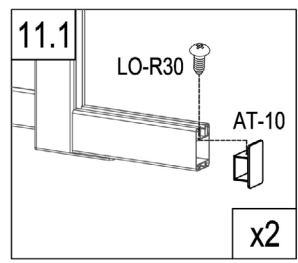
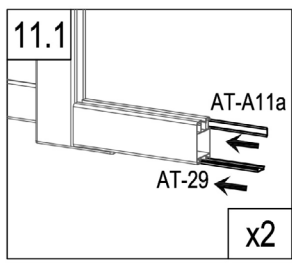
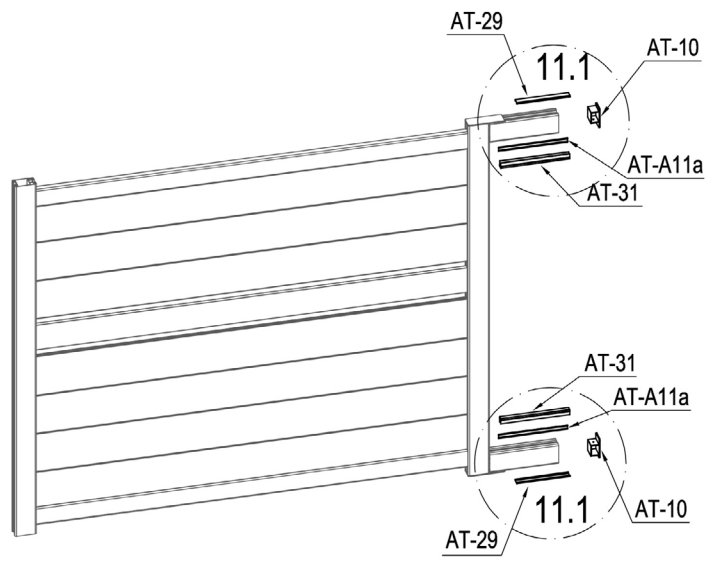





	CK-B5	1
	AT-23	2
	LO-R32	2
	LO-R35	2





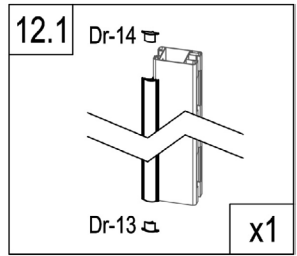
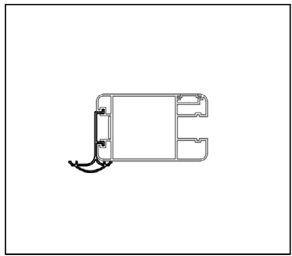
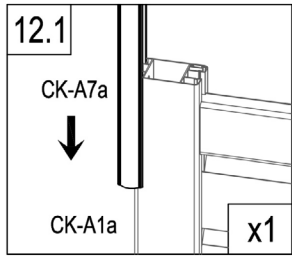
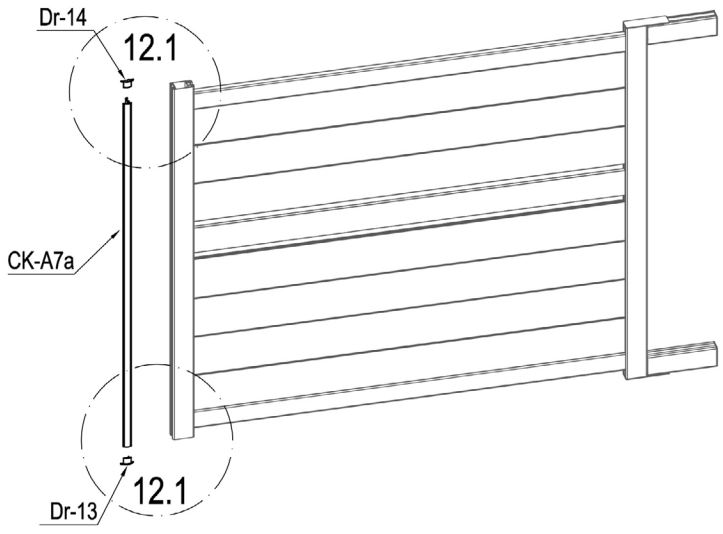
	AT-30	1
	AT-30a	1
	AT-17a	2

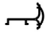


	LO-R33	2
	LO-R35	4

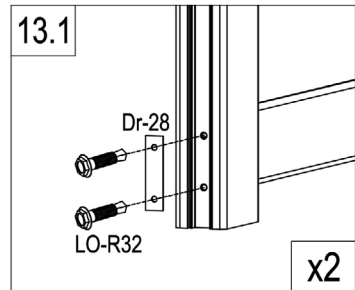
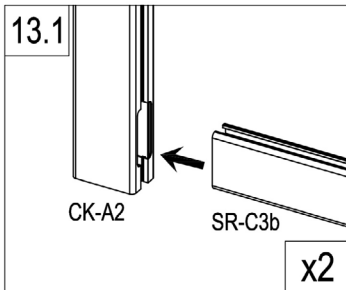
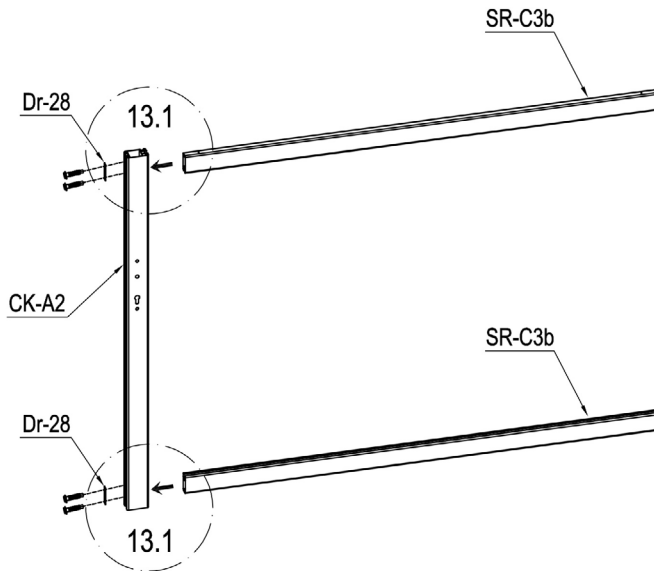


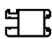
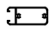


	AT-29	2
	AT-A11a	2
	AT-31	2

	AT-10	2
	LO-R30	2

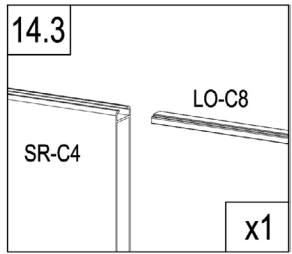
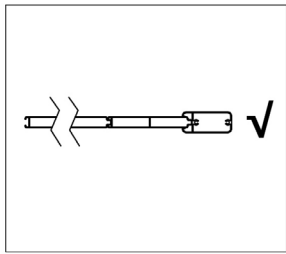
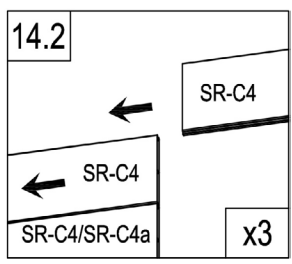
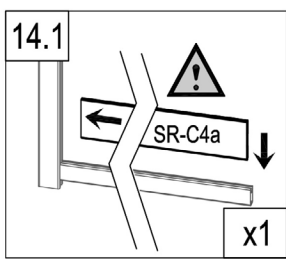
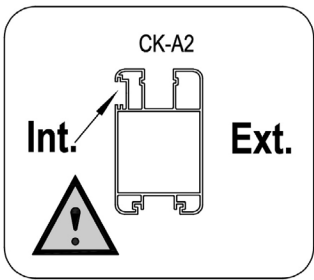
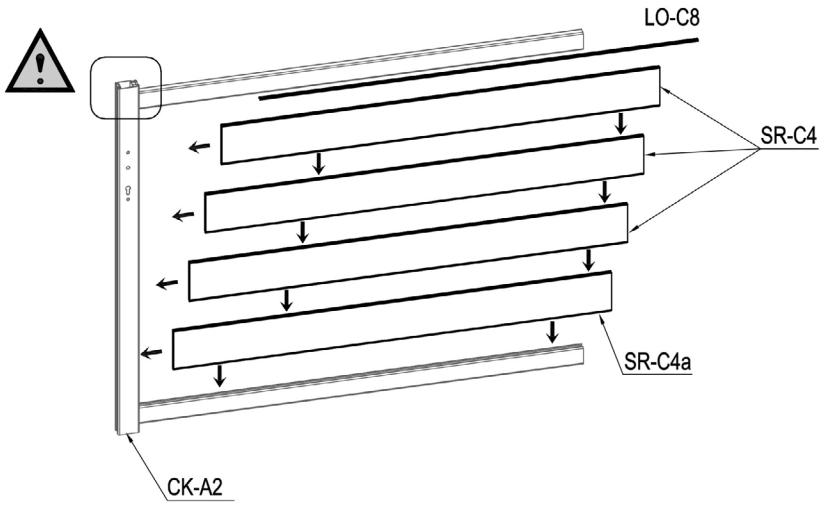


	CK-A7a	1
	Dr-13	1
	Dr-14	1

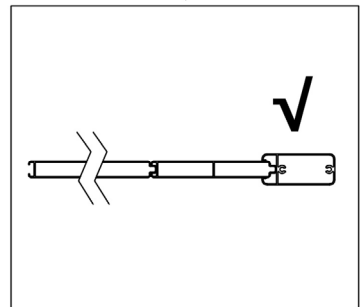
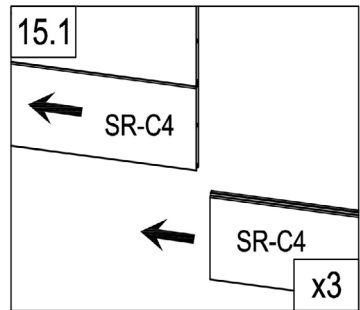
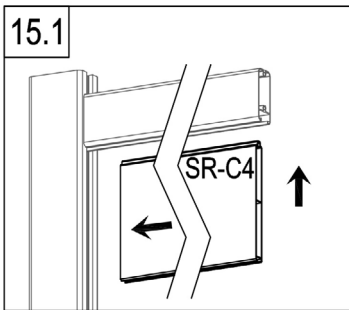
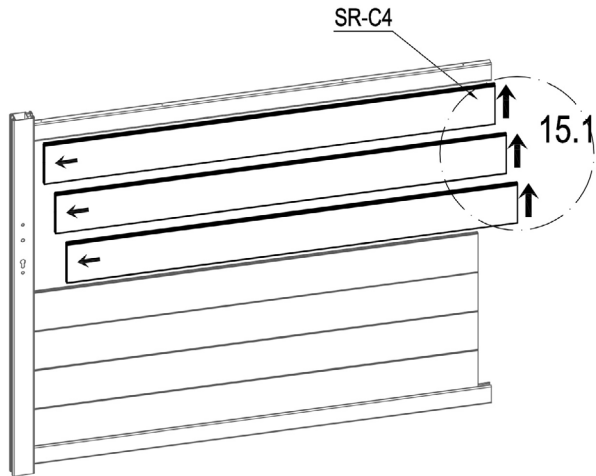


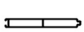
	CK-A2	1
	SR-C3b	2
	Dr-28	2
	LO-R32	4

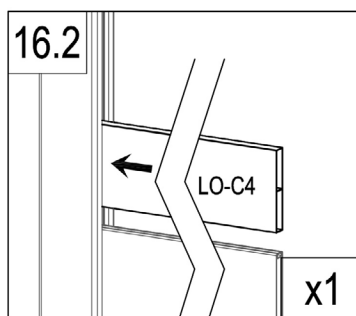
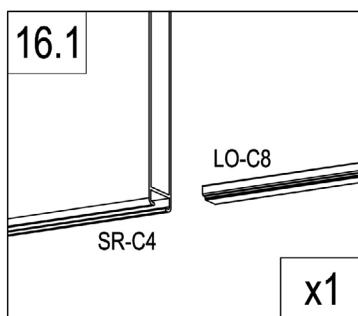
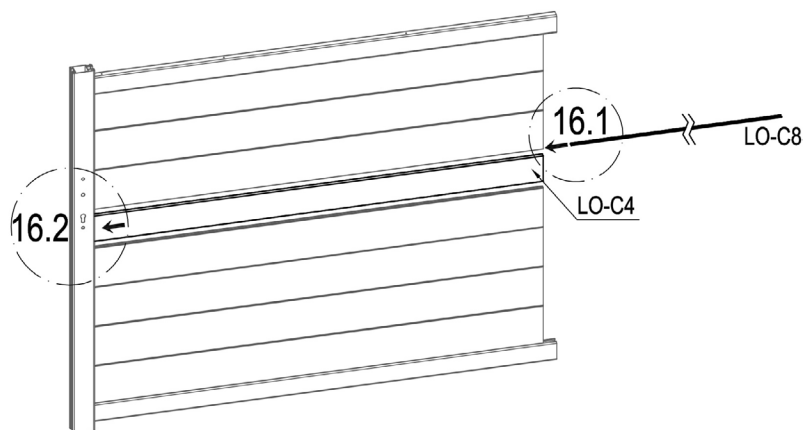
CASANOVO

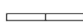



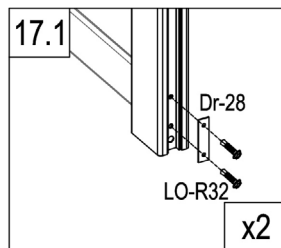
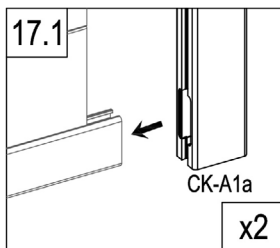
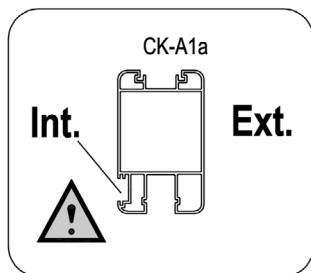
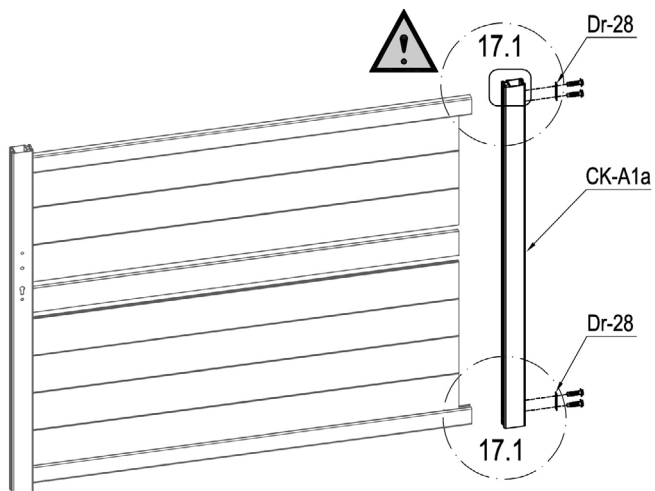
	LO-C8	1
	SR-C4	3
	SR-C4a	1

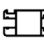




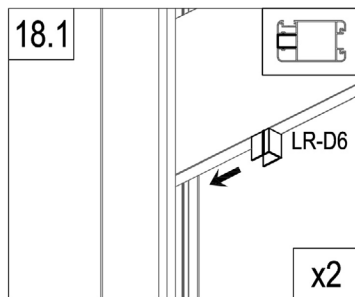
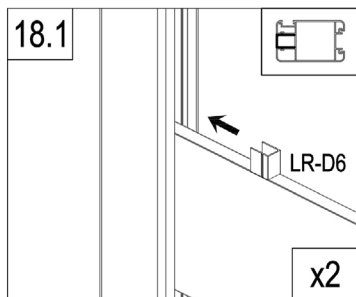
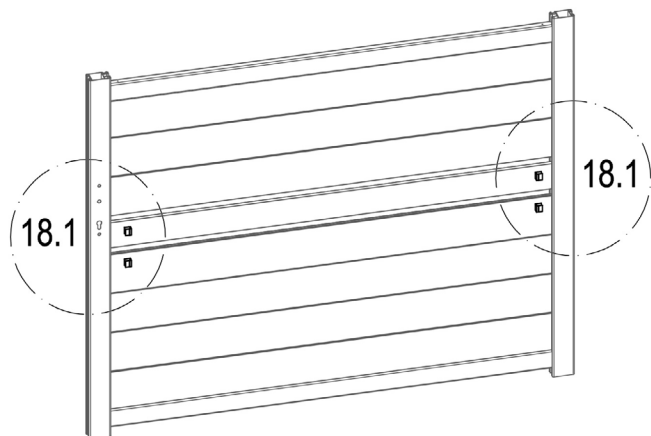
	SR-C4	3
---	-------	---



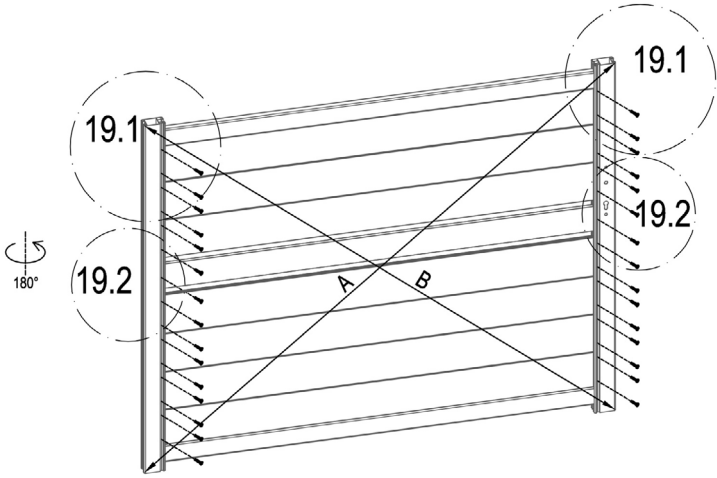
	LO-C4	1
	LO-C8	1



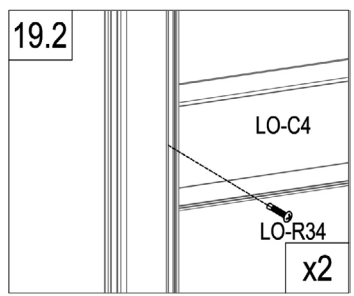
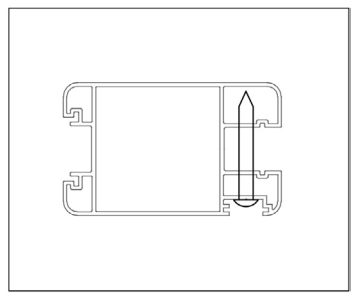
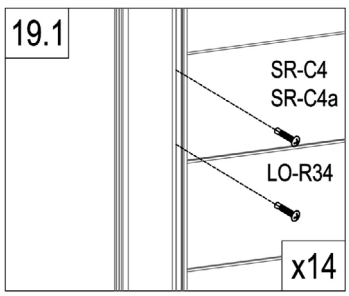
	CK-A1a	1
	Dr-28	2
	LO-R32	4



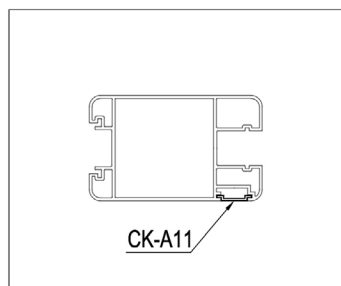
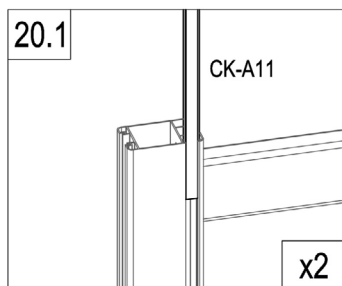
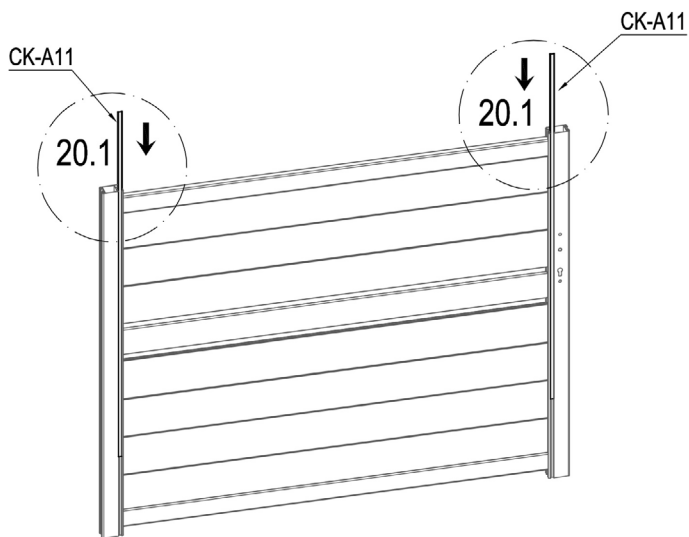
	LR-D6	4
---	-------	---




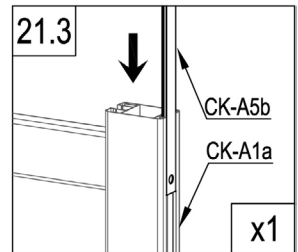
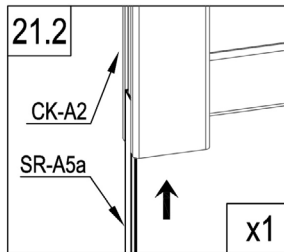
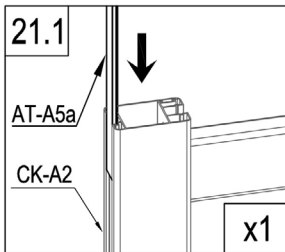
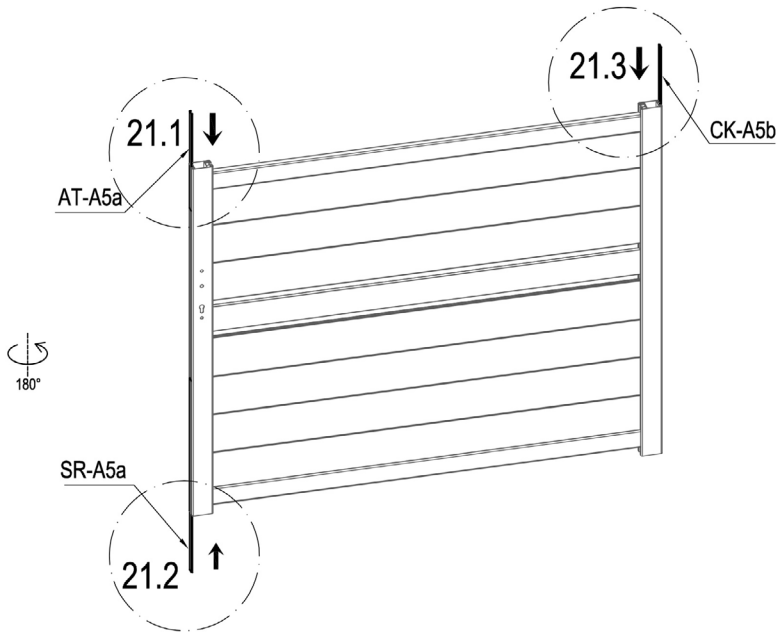
A=B




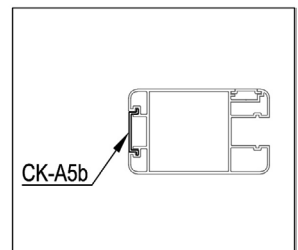
	LO-R34	30
---	--------	----

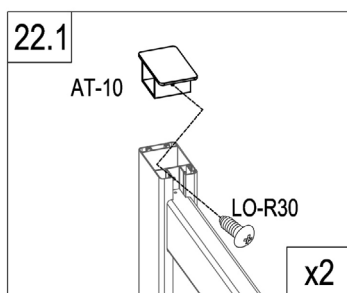
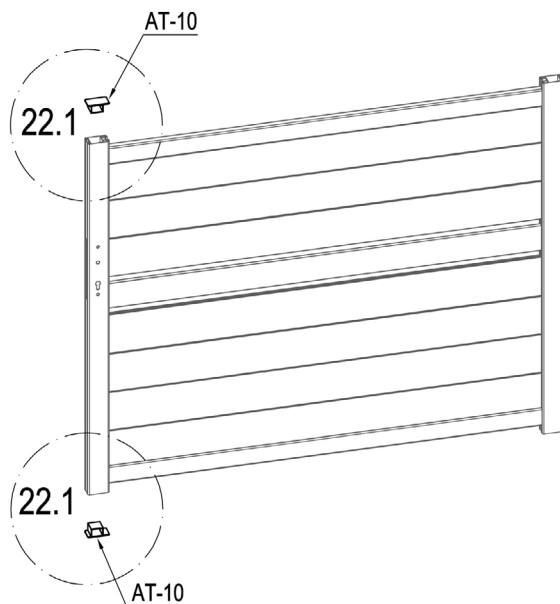




	CK-A11	2
---	--------	---

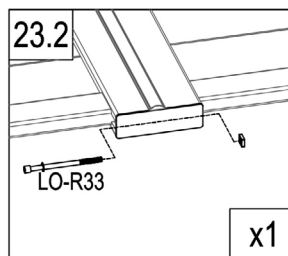
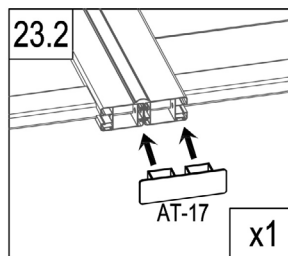
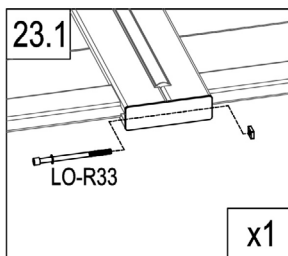
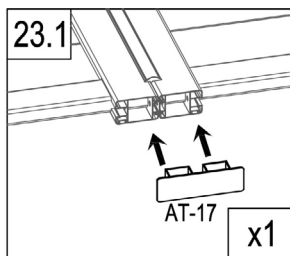
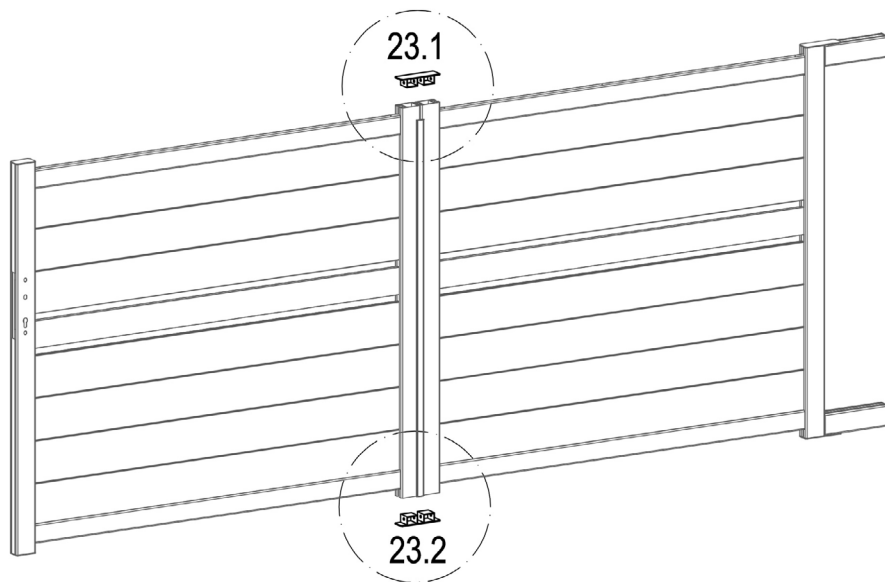




	CK-A5b	1
	AT-A5a	1
	SR-A5a	1

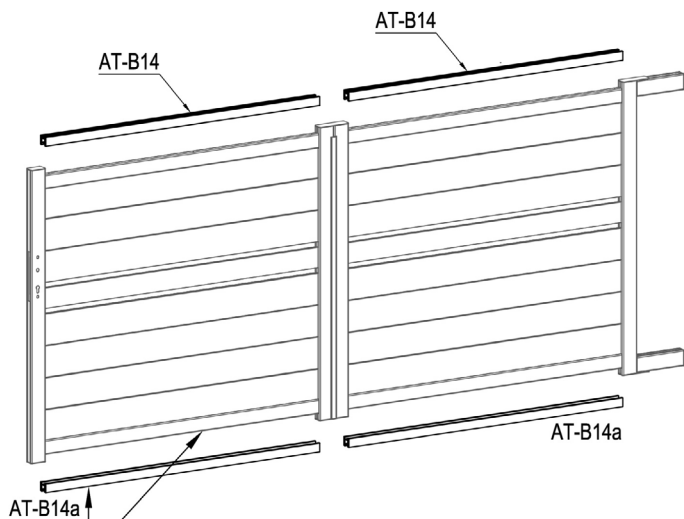




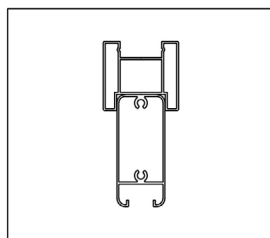
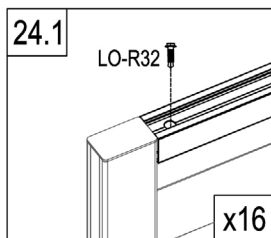
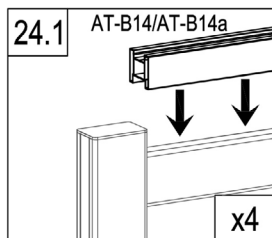
	AT-10	2
	LO-R30	2

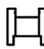



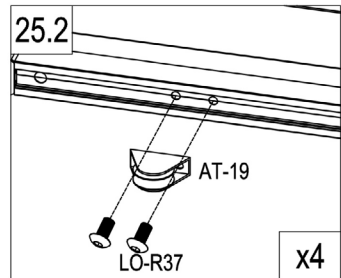
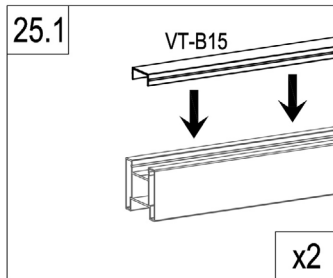
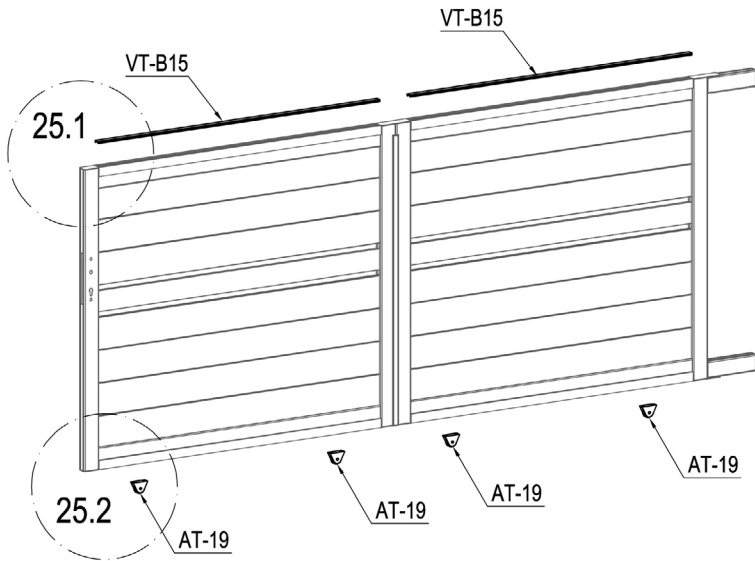
	AT-17	2
	LO-R33	2



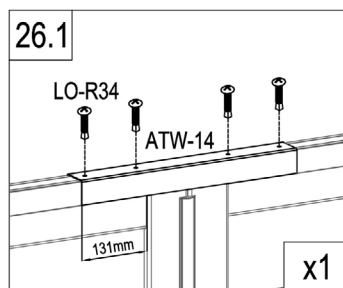
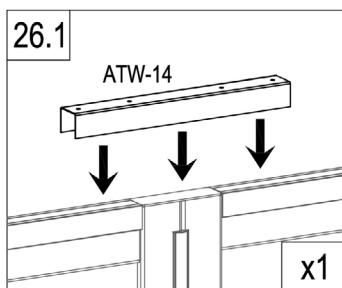
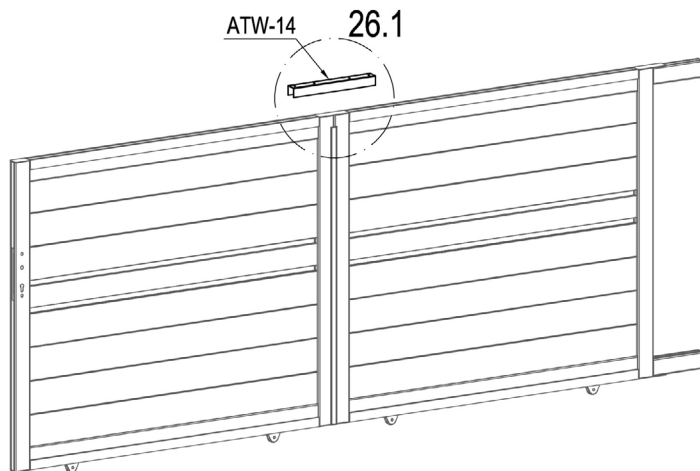
EN: These parts are made for connecting your gate's automation
 FR: Ces pièces sont faites pour relier l'automatisation de votre portail
 DE: Diese Teile sind für den Anschluss der Automatisierung Ihres Tores vorgesehen
 ES: Estas piezas están hechas para conectar la automatización de su puerta
 PT: Estas peças são feitas para ligar a automatização do seu portão
 IT: Queste parti sono realizzate per collegare l'automazione del vostro cancello
 NL: Deze onderdelen zijn gemaakt voor het aansluiten van de automatisering van uw poort.
 PL: Te części są wykonane do podłączenia automatyki bramy.





	AT-B14	2
	AT-B14a	2
	LO-R32	16

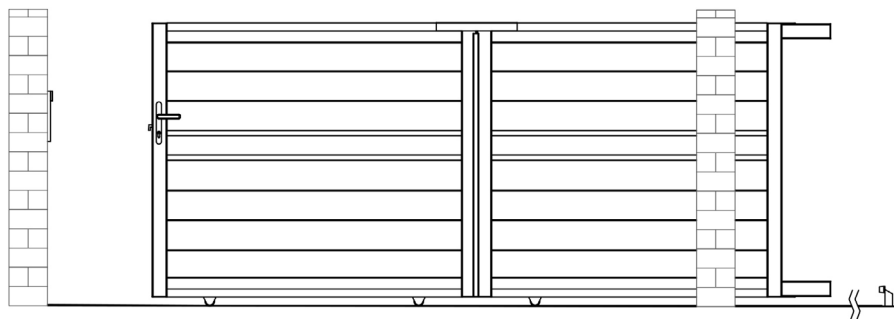


	VT-B15	2
	AT-19	4
	LO-R37	8

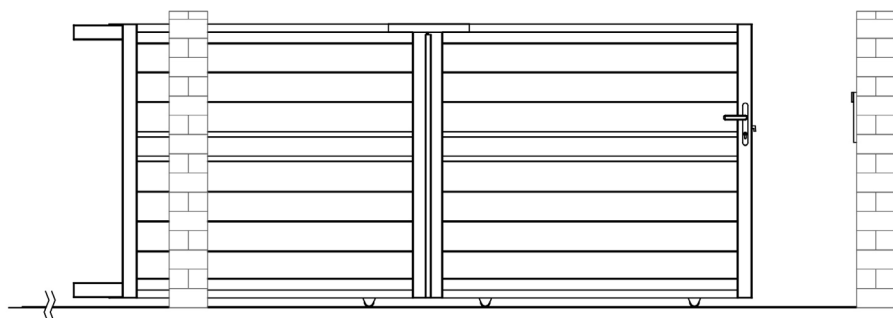


	ATW-14	1
	LO-R34	4

CASANOVO

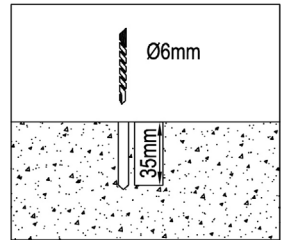
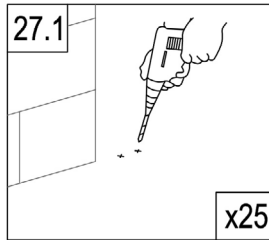
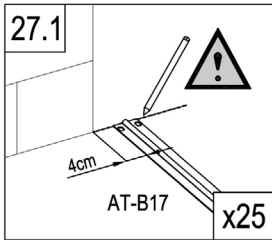
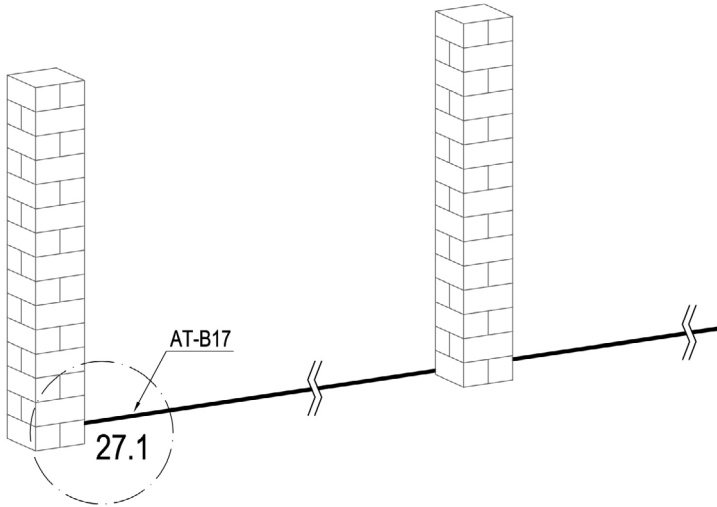



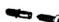
L

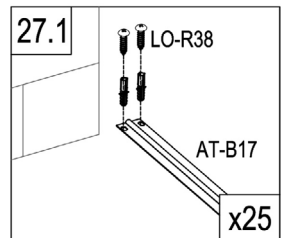


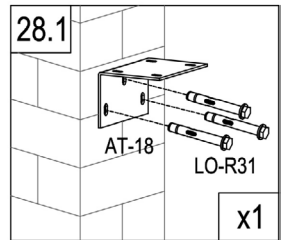
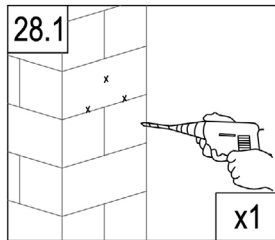
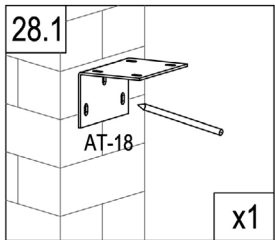
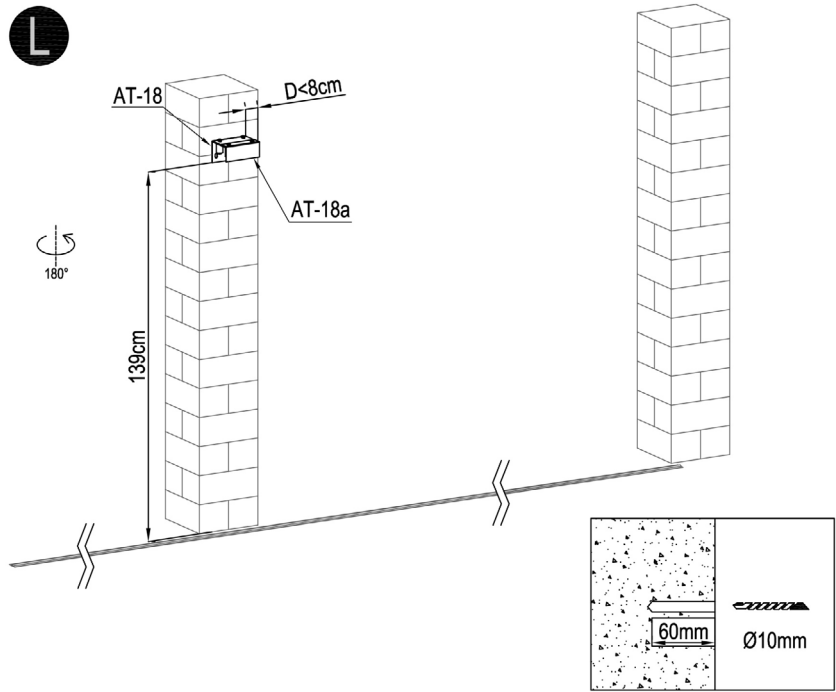
R

L

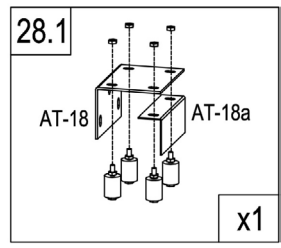
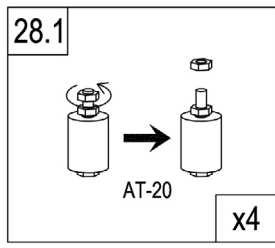


	AT-B17	5
	LO-R38	50

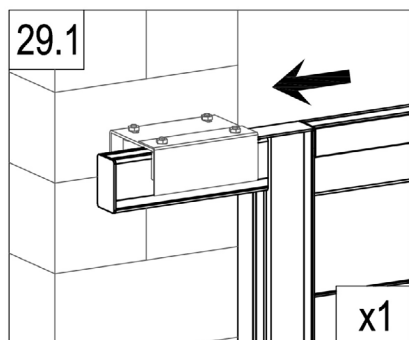
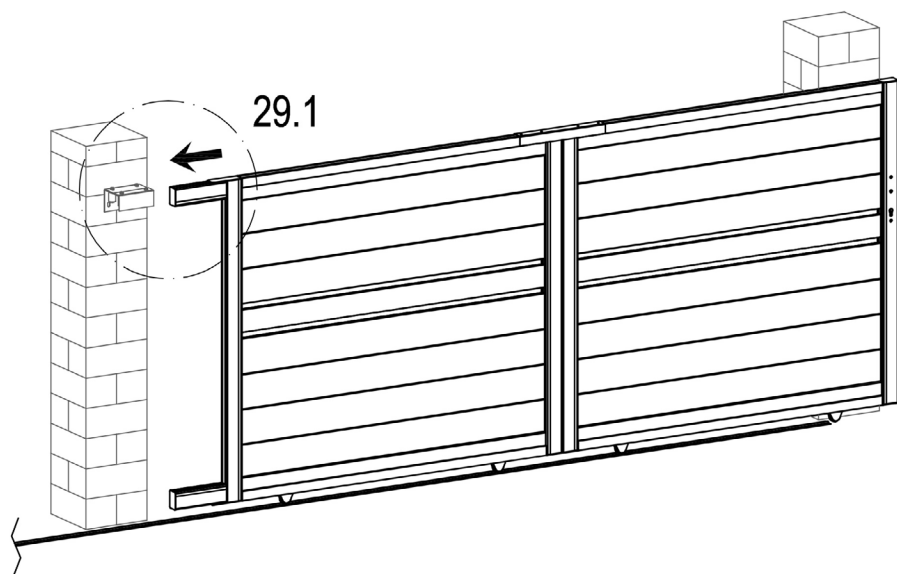




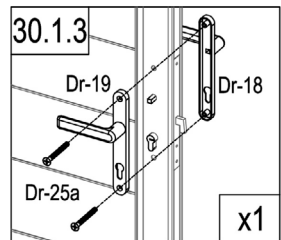
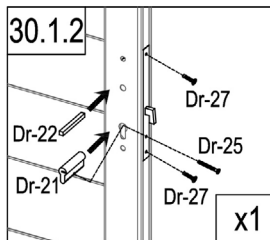
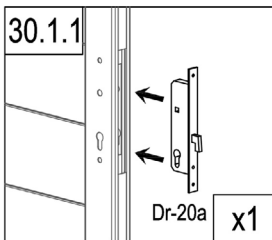
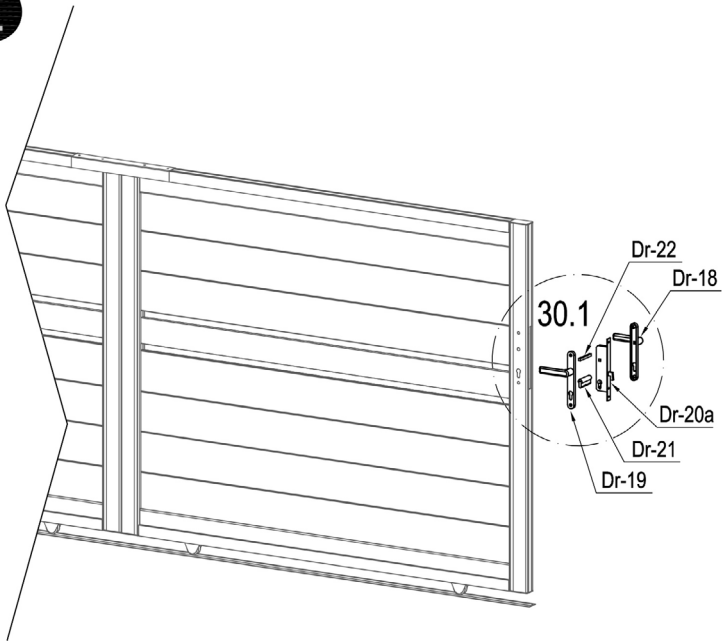
	AT-18	1
	AT-18a	1
	AT-20	4
	LO-R31	3



L



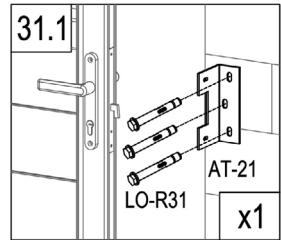
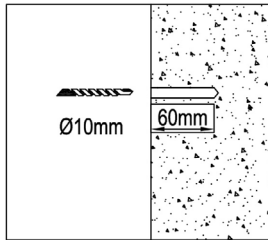
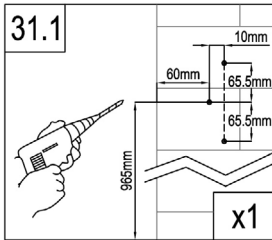
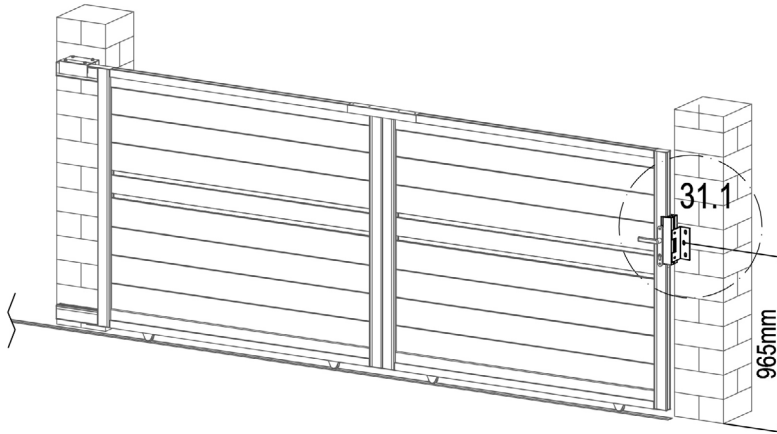
L



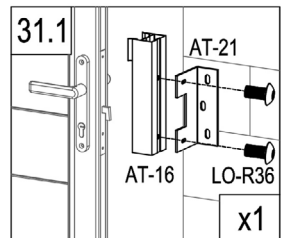
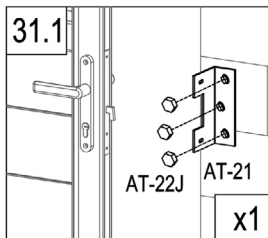
	Dr-20a	1
	Dr-21	1
	Dr-22	1
	Dr-25	1

	Dr-18	1
	Dr-19	1
	Dr-25a	2
	Dr-27	2

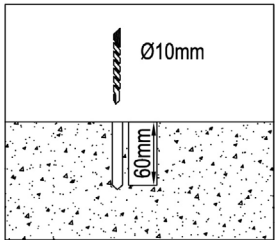
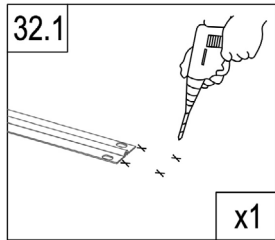
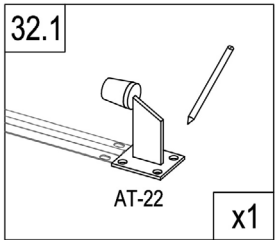
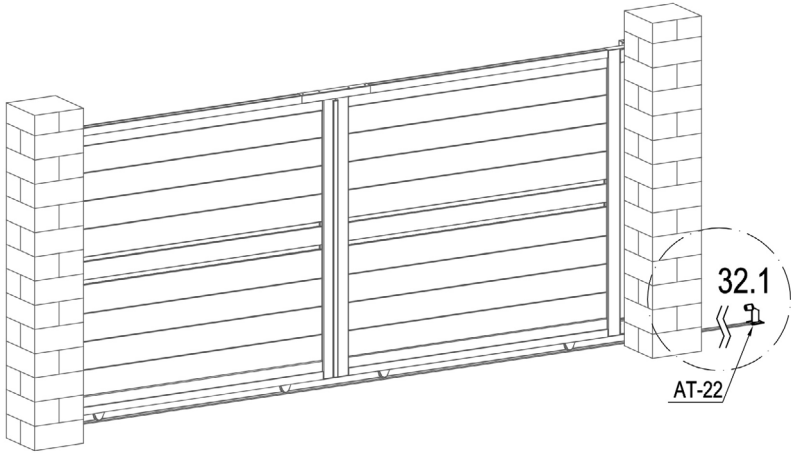
L






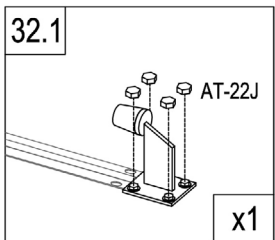
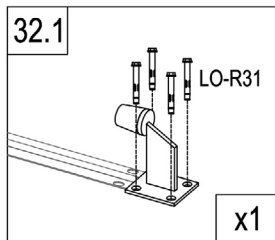
	AT-16	1
	AT-21	1
	LO-R36	2
	LO-R31	3
	AT-22J	3



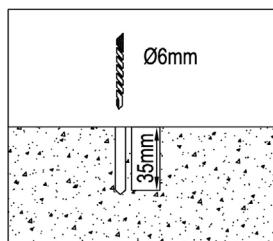
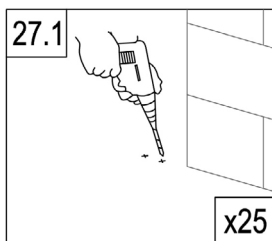
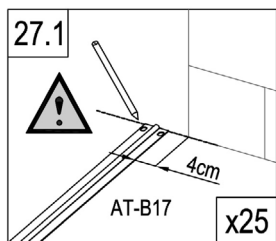
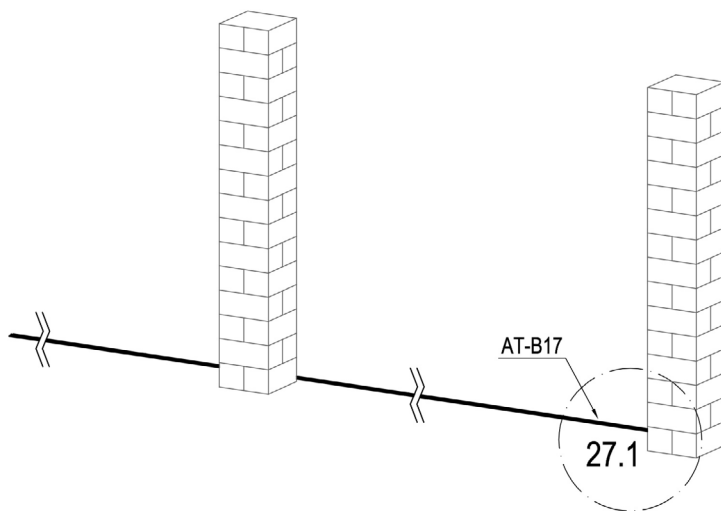
L


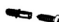


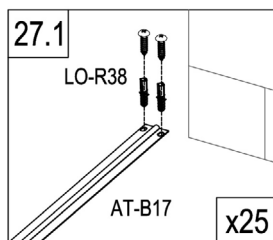
	AT-22	1
	LO-R31	4
	AT-22J	4

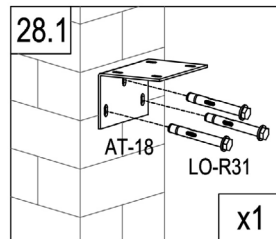
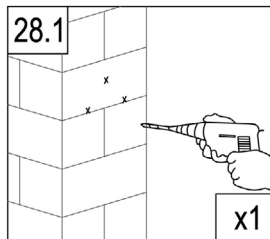
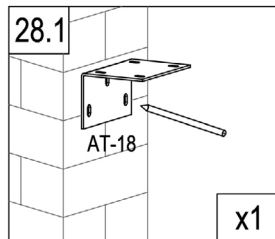
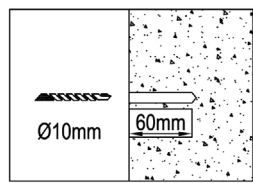
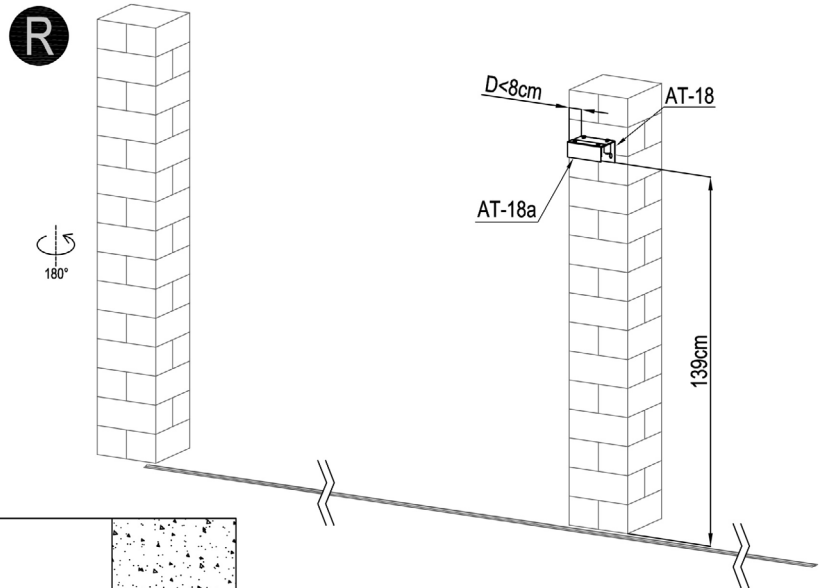


R

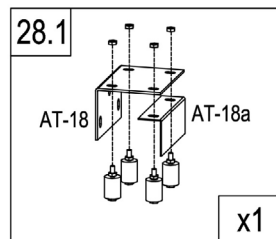
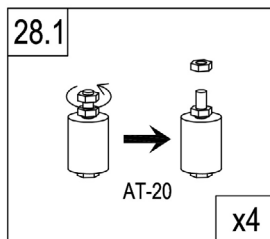


	AT-B17	5
	LO-R38	50

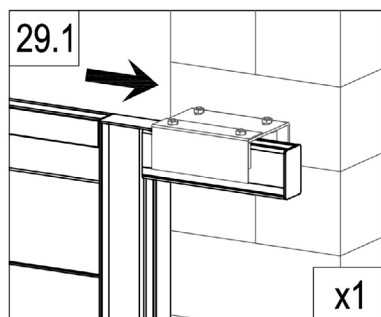
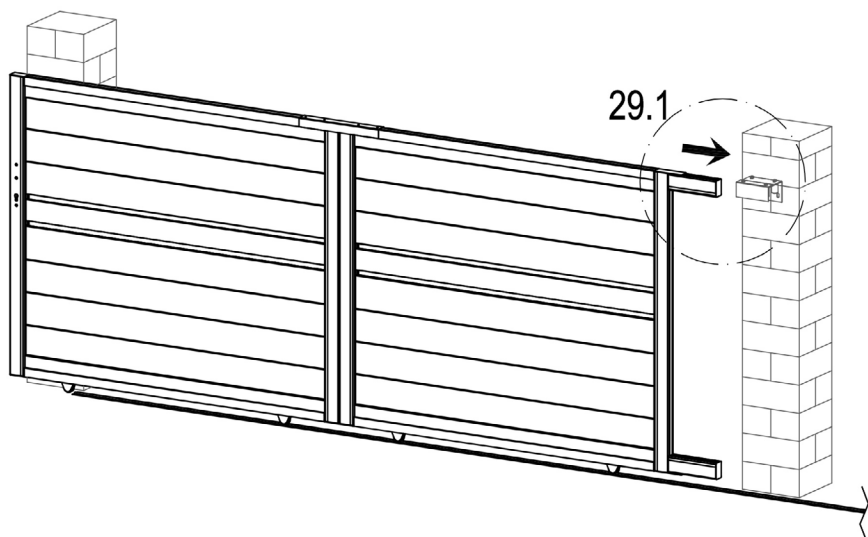




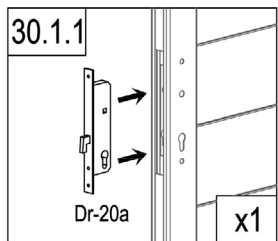
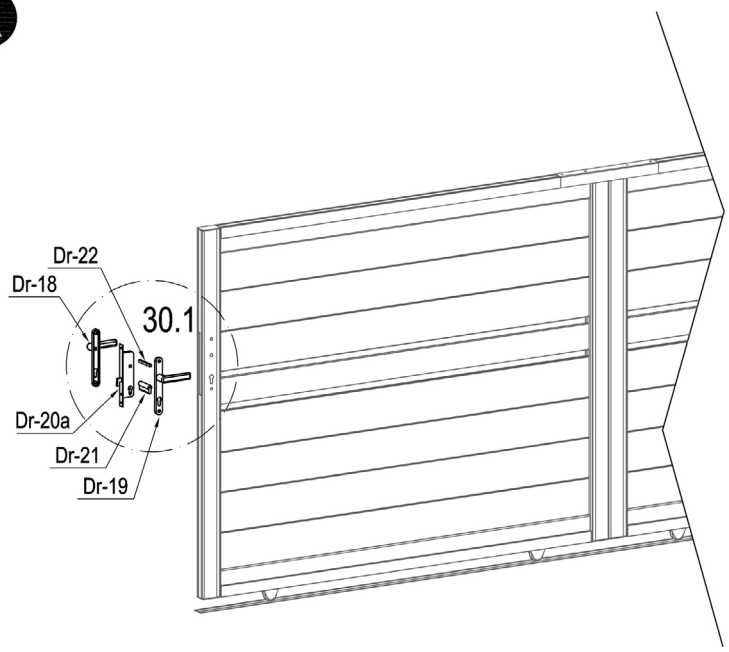
	AT-18	1
	AT-18a	1
	AT-20	4
	LO-R31	3



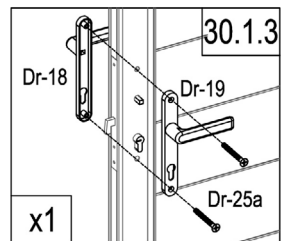
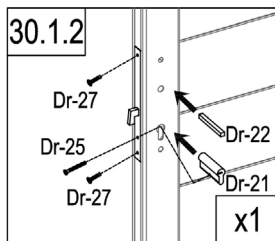
R



R

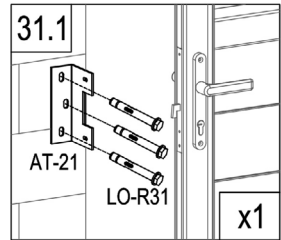
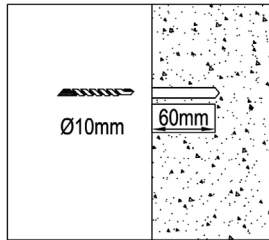
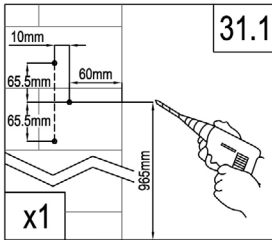
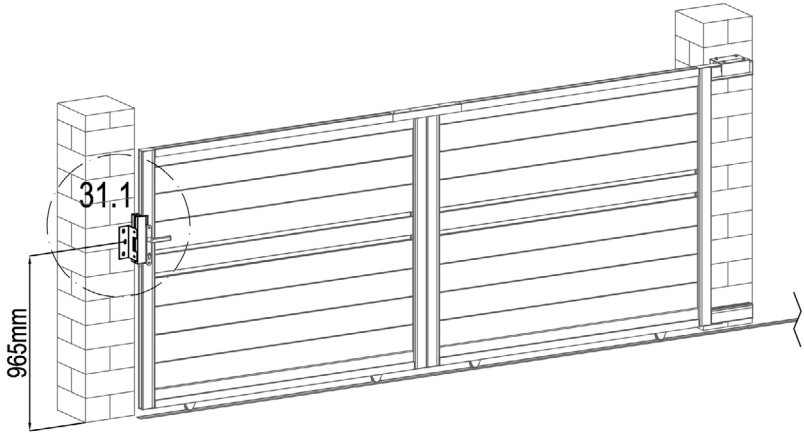


	Dr-20a	1
	Dr-21	1
	Dr-22	1
	Dr-25	1

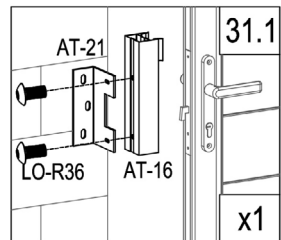
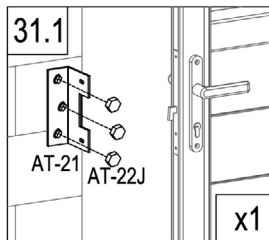


	Dr-18	1
	Dr-19	1
	Dr-25a	2
	Dr-27	2

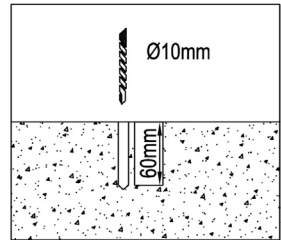
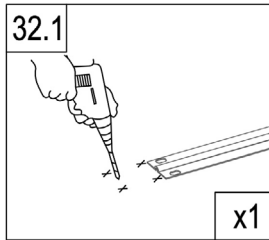
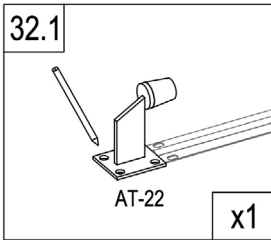
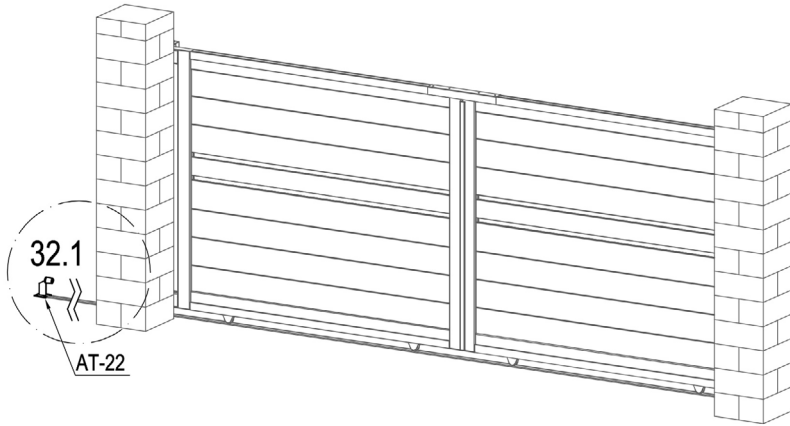
R






	AT-16	1
	AT-21	1
	LO-R36	2
	LO-R31	3
	AT-22J	3



R



	AT-22	1
	LO-R31	4
	AT-22J	4

