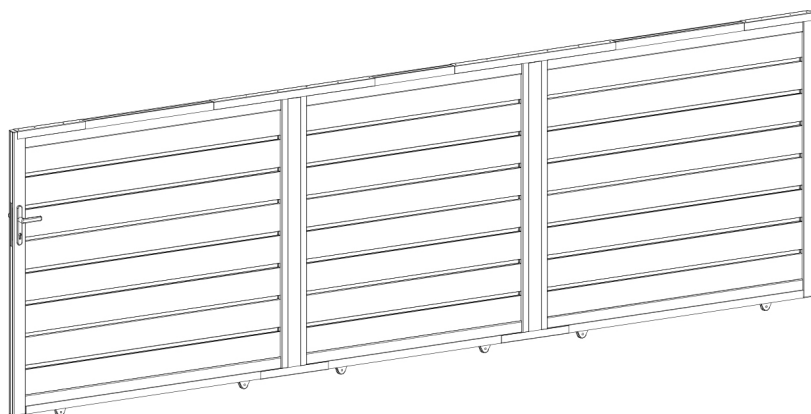


CASANOVO

VOGEL 500C160



COM-000295 [x1]

COM-000297 [x1]

COM-000782 [x1]

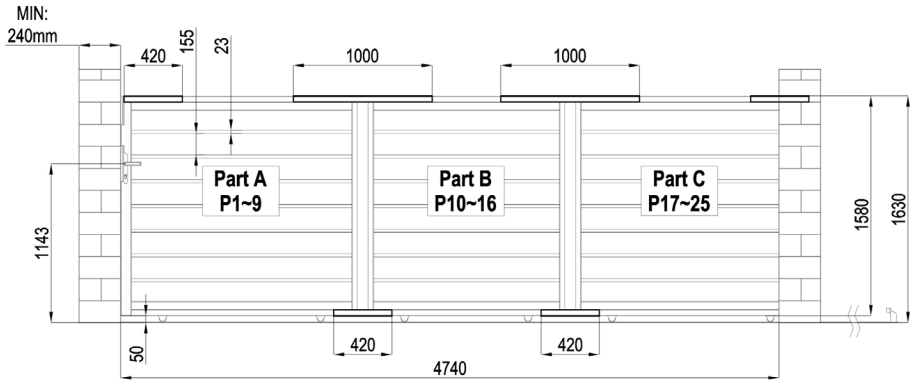
COM-000296 [x1]

COM-000298 [x1]

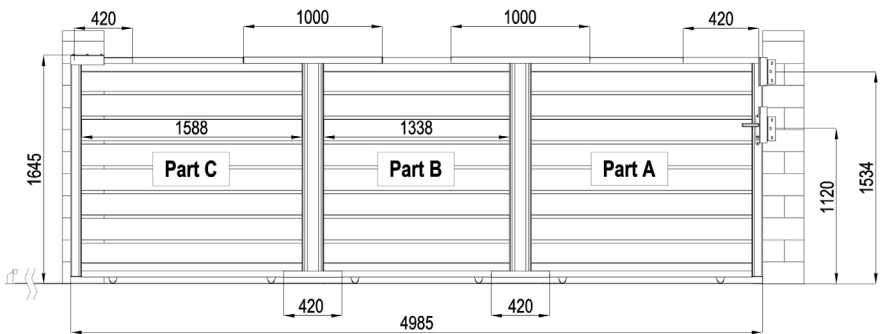


INSTRUCTION MANUAL / NOTICE DE MONTAGE / MONTAGEANLEITUNG / MANUAL DE MONTAJE / MANUAL DE MONTAGEM / MANUALE DI MONTAGGIO /
MONTAGEHANDLEIDING / INSTRUKCJA MONTAŻU / KÄYTTÖOHJEET / BRUKSANVISNING / BRUGSANVISNING / INSTRUCȚIUNI DE ASAMBLARE /
NAVODILA ZA SESTAVLJANJE / NÁVOD NA MONTÁŽ / ÖSSZESZERELÉSI ÚTMUTATÓ / NÁVOD K MONTÁŽI / UPUTE ZA INSTALACIJU /
ΟΔΗΓΙΕΣ ΣΥΝΑΡΜΟΛΟΓΗΣΗΣ / SURINKIMO INSTRUKCIJOS / MONTĀŽAS INSTRUKCIJAS

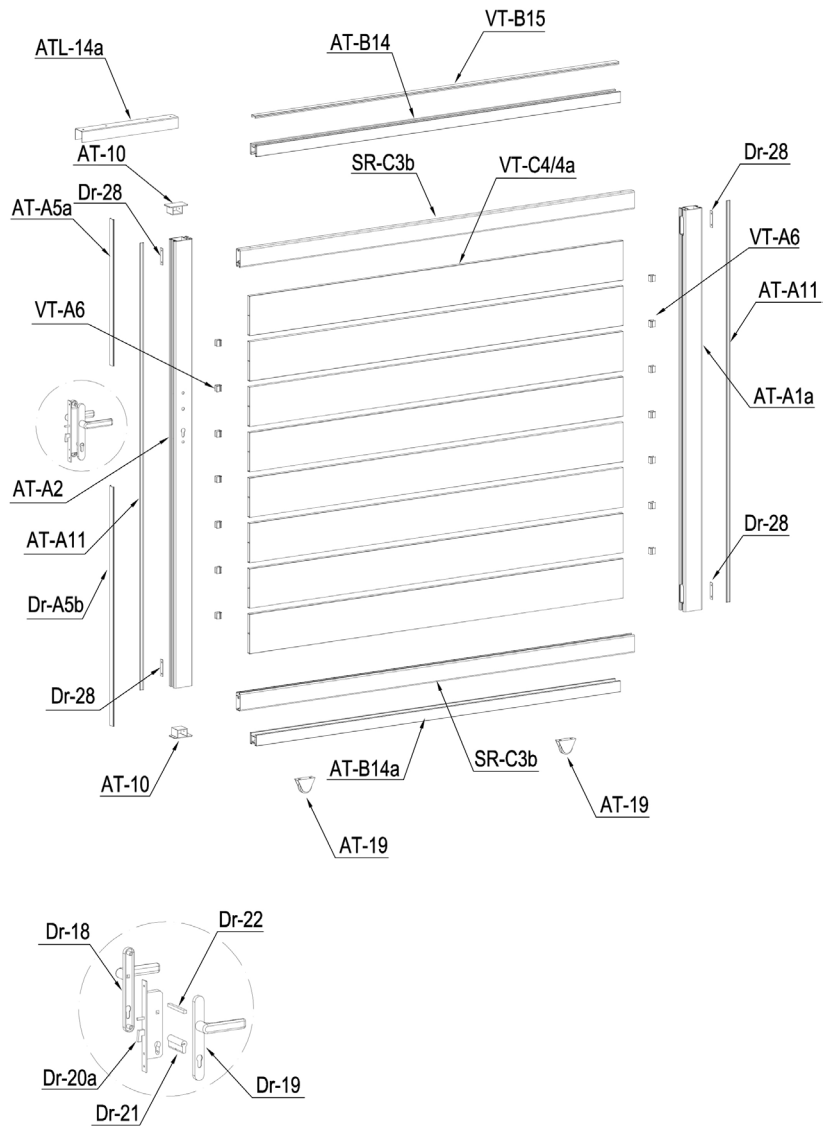
Ext.



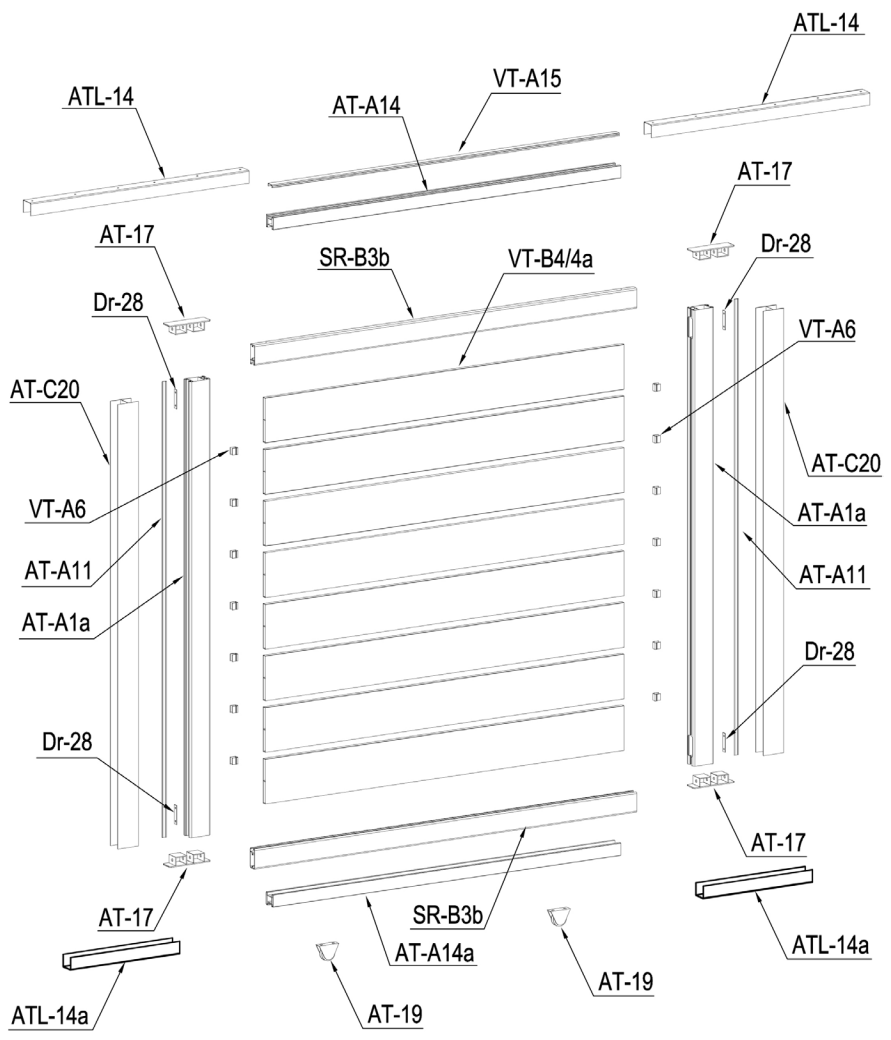
Int.



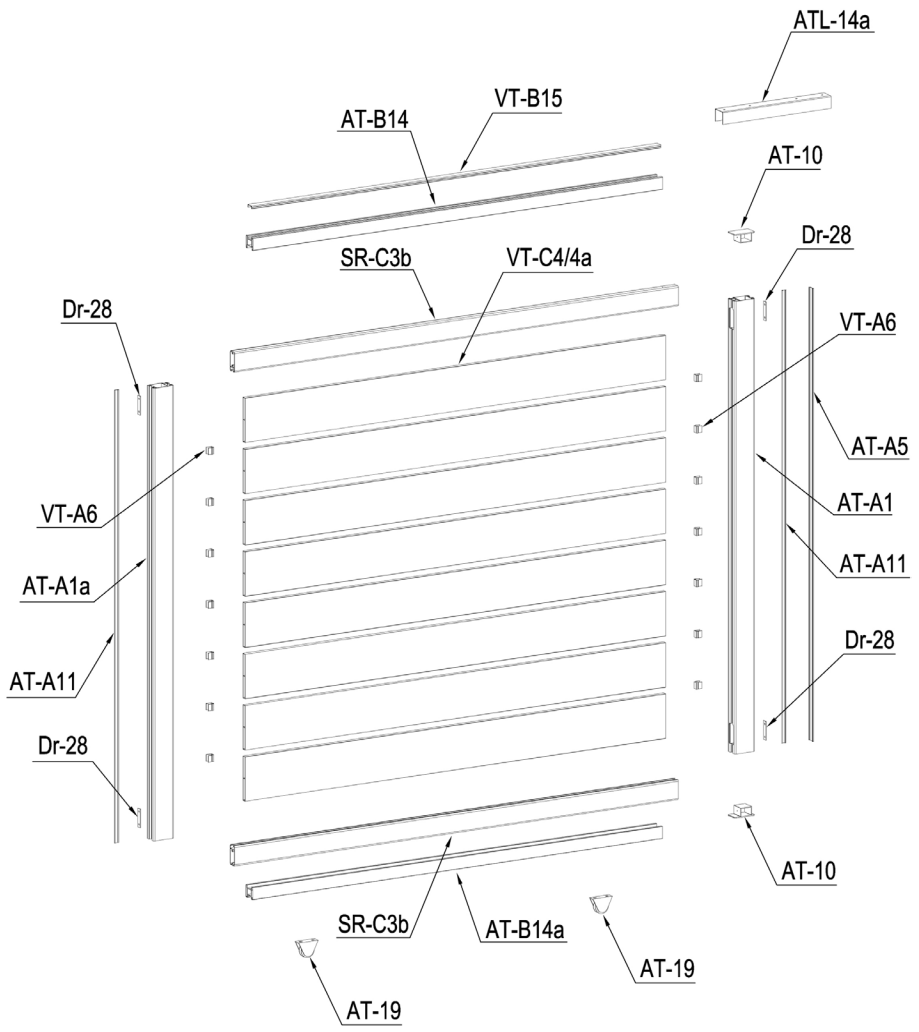
Part A.

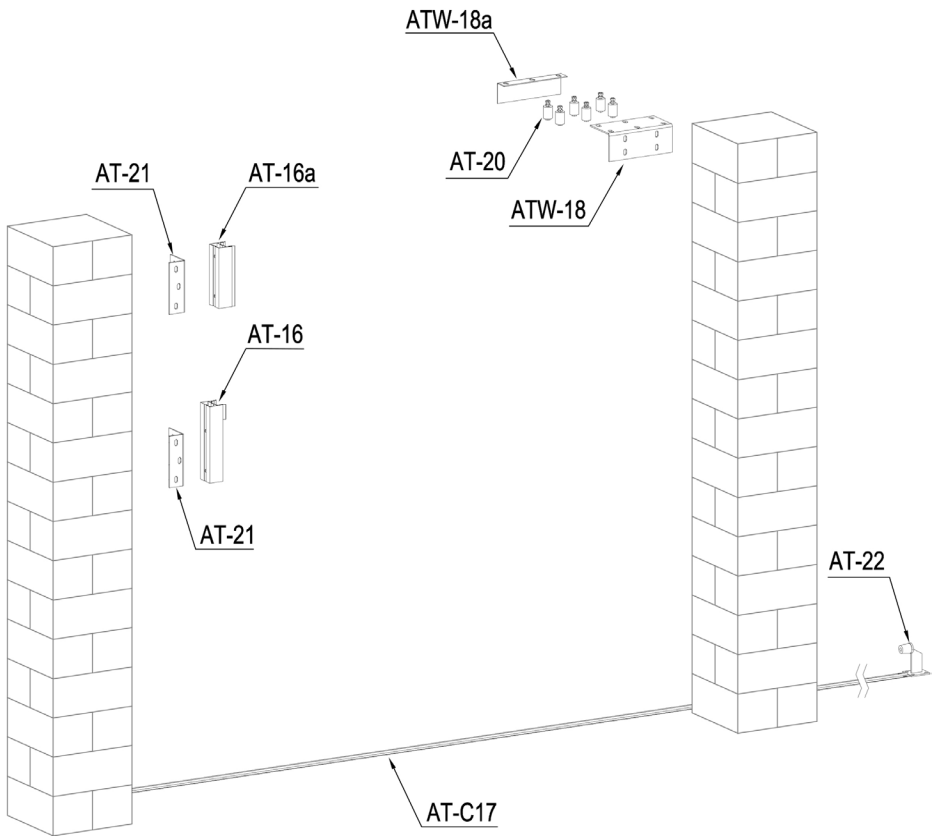


Part B.





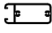


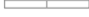


































Part C.

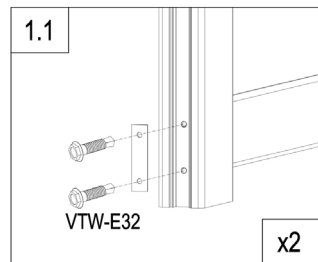
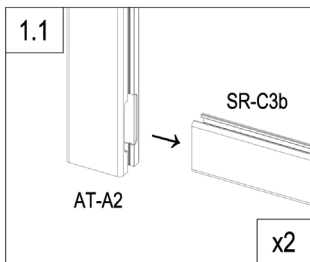
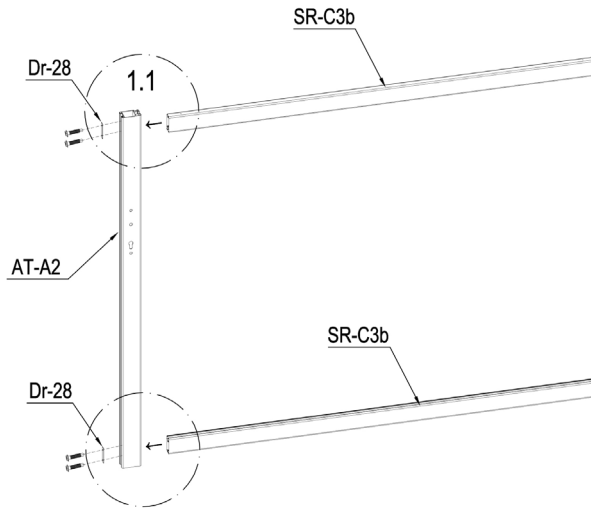







PART LIST

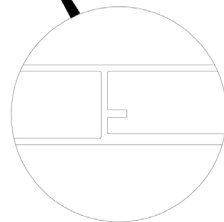
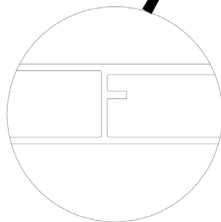
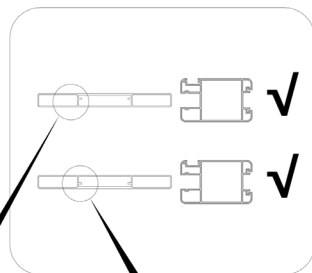
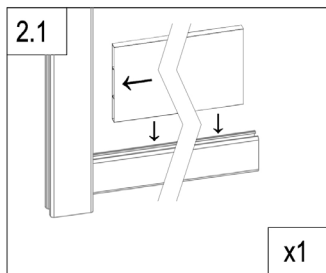
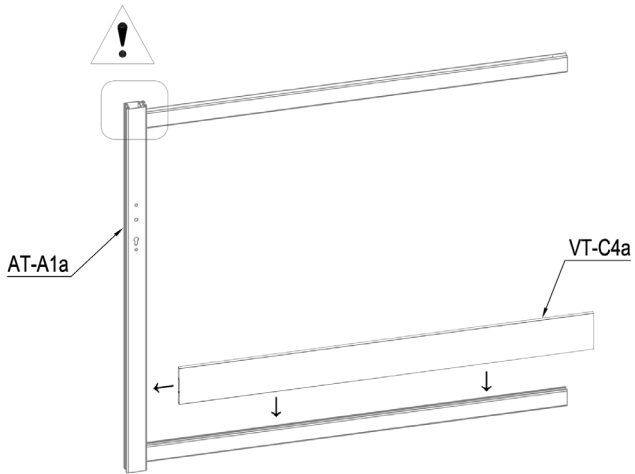
| IMAGE | NO. | L.(mm) | QTY | IMAGE | NO. | L.(mm) | QTY |
|---|---------|--------|-----|---|---------|--------|-----|
|  | AT-A1a | 1573 | 4 |  | AT-17 | | 4 |
| | AT-A1 | 1573 | 1 |  | AT-10 | | 4 |
| | AT-A2 | 1573 | 1 |  | Dr-18 | | 1 |
|  | SR-B3b | 1471 | 2 |  | Dr-19 | | 1 |
| | SR-C3b | 1721 | 4 |  | Dr-20a | | 1 |
|  | VT-B4 | 1380 | 7 |  | Dr-21 | | 1 |
| | VT-C4 | 1630 | 14 |  | Dr-22 | | 1 |
|  | VT-B4a | 1380 | 1 |  | Dr-25 | | 1 |
| | VT-C4a | 1630 | 2 |  | Dr-25a | | 2 |
|  | AT-A5 | 1573 | 1 |  | Dr-27 | | 2 |
| | AT-A5a | 395.5 | 1 |  | ATW-18 | | 1 |
| | Dr-A5b | 937 | 1 |  | ATW-18a | | 1 |
|  | AT-A11 | 1573 | 6 |  | AT-19 | | 6 |
|  | VT-A6 | 23 | 42 |  | AT-20 | | 6 |
|  | AT-C20 | 1493 | 2 |  | AT-21 | | 2 |
|  | AT-A14 | 1338 | 1 |  | AT-22 | | 1 |
| | AT-A14a | 1338 | 1 |  | Dr-28 | | 12 |
| | AT-B14 | 1588 | 2 |  | ATW-22J | | 10 |
| | AT-B14a | 1588 | 2 |  | VTW-E30 | | 4 |
|  | VT-A15 | 1337 | 1 |  | VTW-E31 | | 14 |
| | VT-B15 | 1587 | 2 |  | VTW-E32 | | 46 |
|  | AT-16 | 260 | 1 |  | VTW-E33 | | 4 |
| | AT-16a | 205 | 1 |  | VTW-E34 | | 126 |
|  | AT-C17 | 1580 | 6 |  | VTW-E36 | | 4 |
|  | ATL-14 | 1000 | 2 |  | VTW-E37 | | 12 |
|  | ATL-14a | 420 | 4 |  | VTW-E38 | | 60 |

Part A.



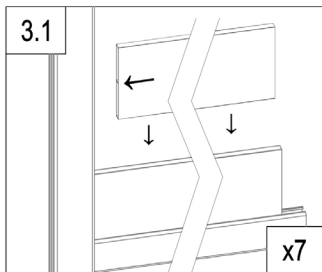
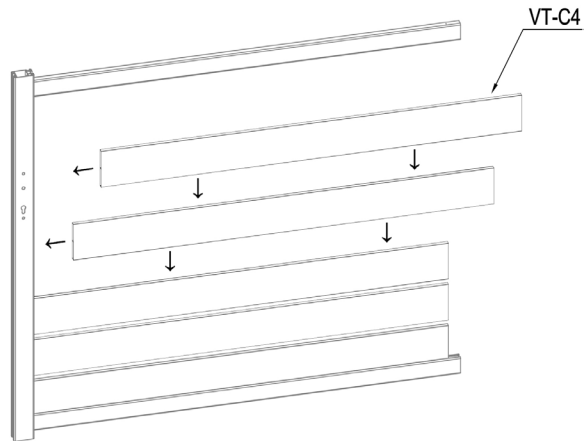
| | | |
|---|---------|---|
|  | AT-A2 | 1 |
|  | SR-C3b | 2 |
|  | Dr-28 | 2 |
|  | VTW-E32 | 4 |


Part A.



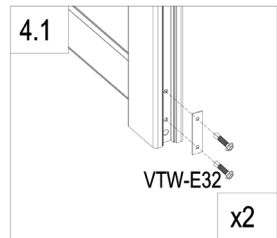
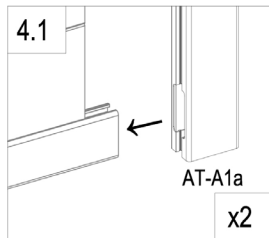
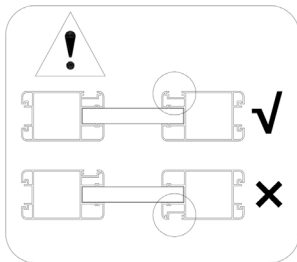
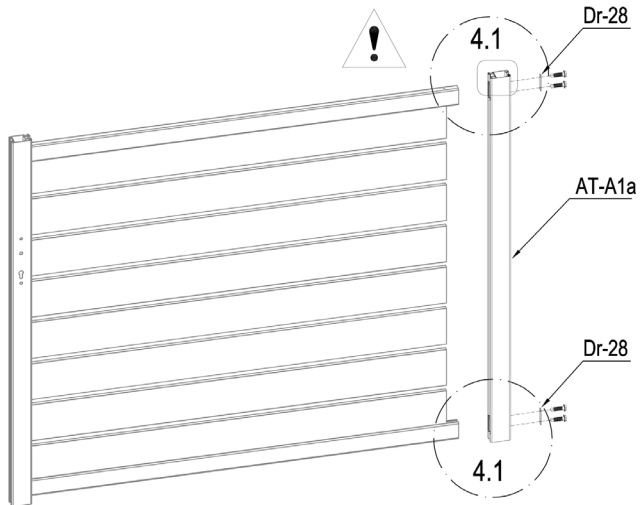
| | | |
|--|--------|---|
| | VT-C4a | 1 |
|--|--------|---|

Part A.



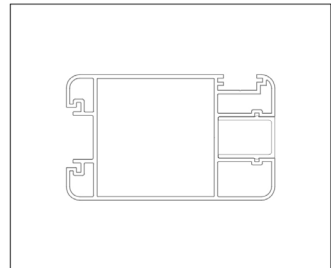
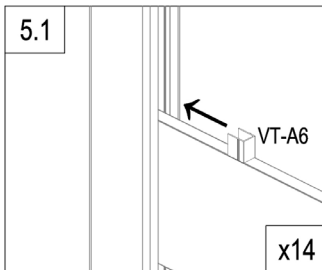
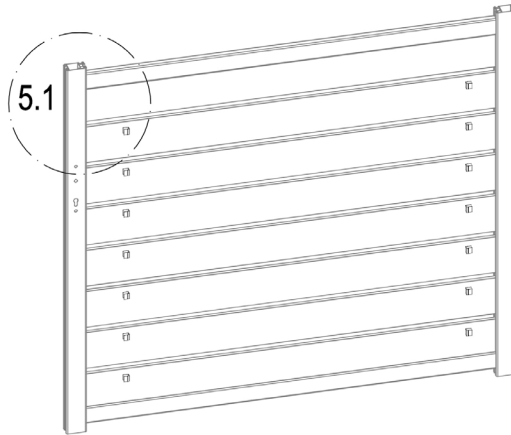
| | | |
|---|-------|---|
|  | VT-C4 | 7 |
|---|-------|---|


Part A.



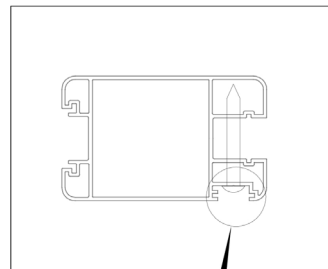
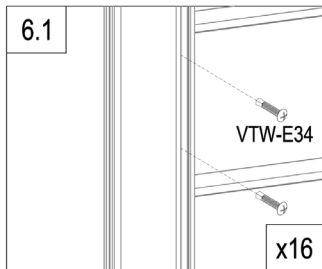
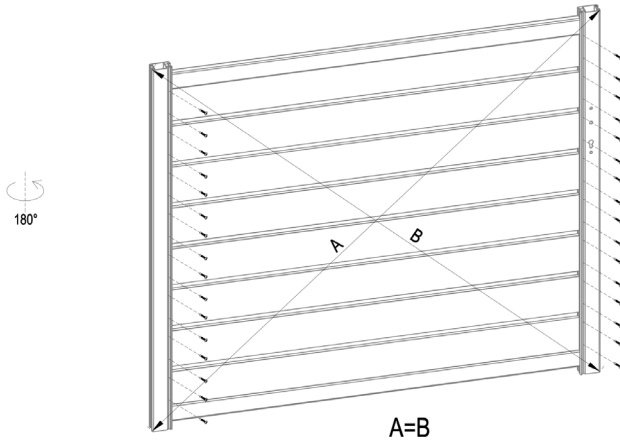
| | | |
|---|---------|---|
|  | AT-A1a | 1 |
|  | Dr-28 | 2 |
|  | VTW-E32 | 4 |

Part A.

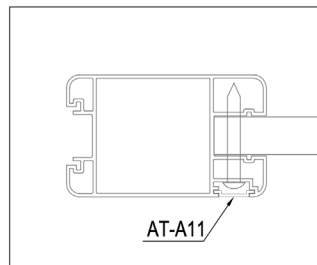
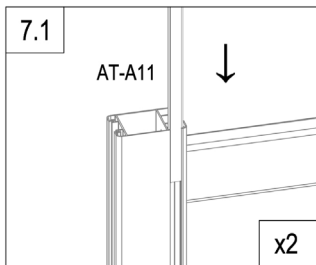
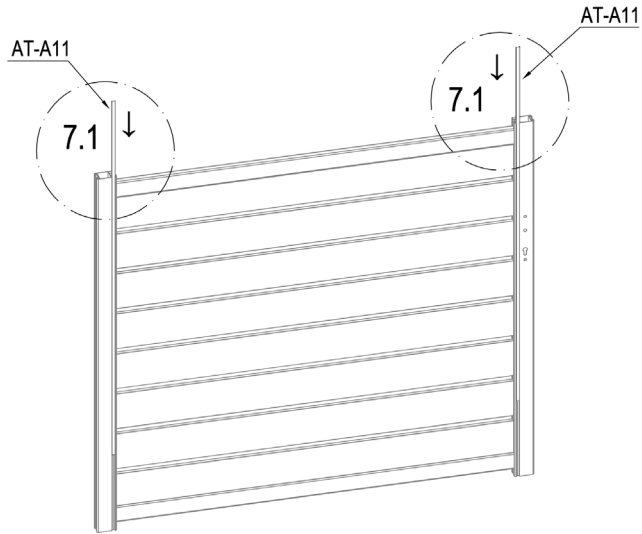


| | | |
|---|-------|----|
|  | VT-A6 | 14 |
|---|-------|----|

Part A.

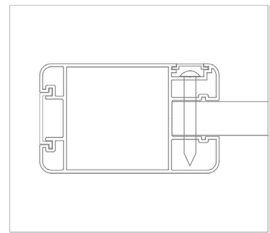
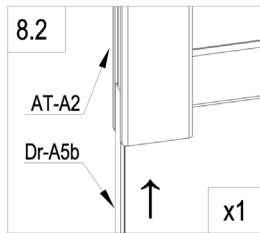
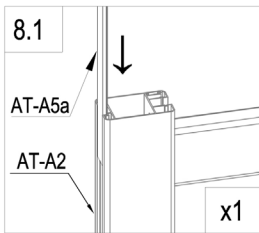
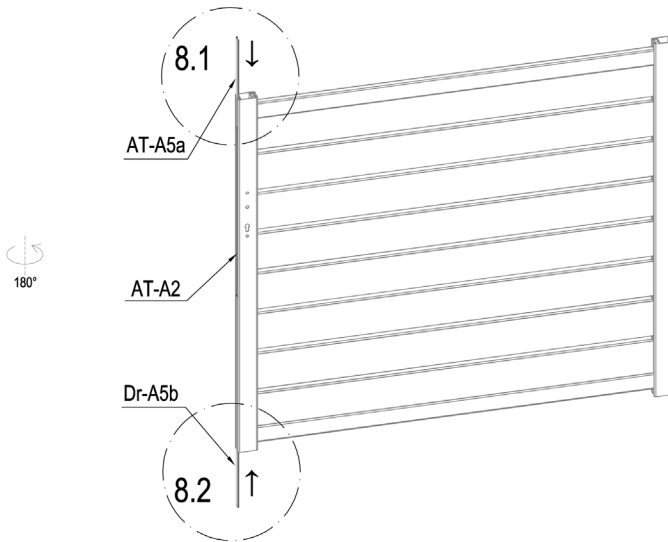



Part A.



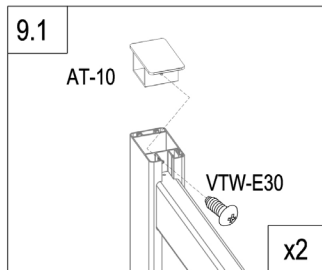
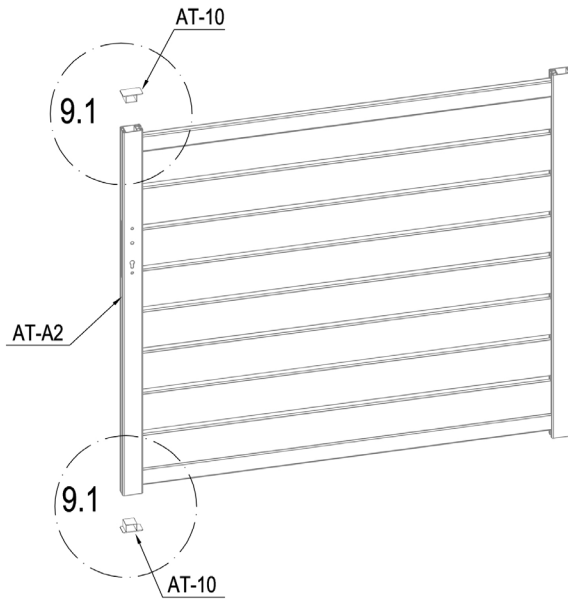
| | | |
|---|--------|---|
|  | AT-A11 | 2 |
|---|--------|---|



Part A.



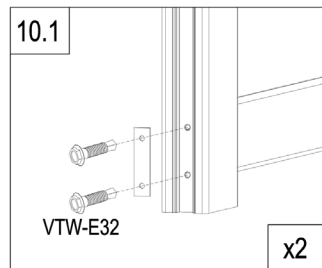
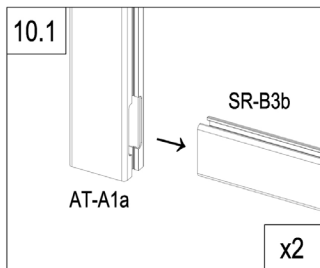
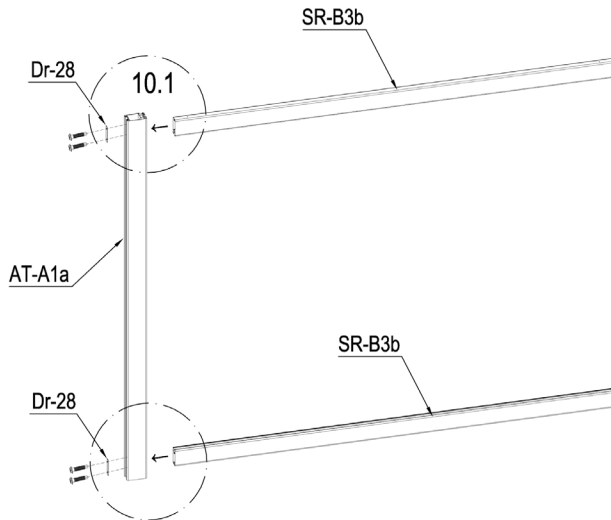
| | | |
|---|--------|---|
|  | AT-A5a | 1 |
| | Dr-A5b | 1 |


Part A.



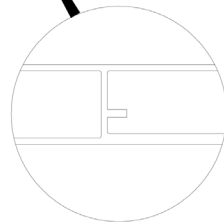
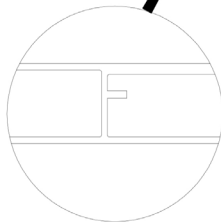
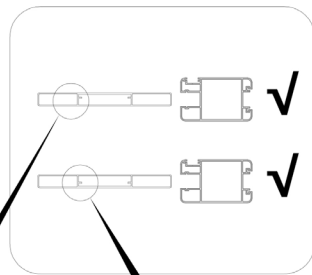
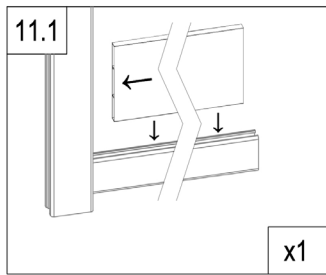
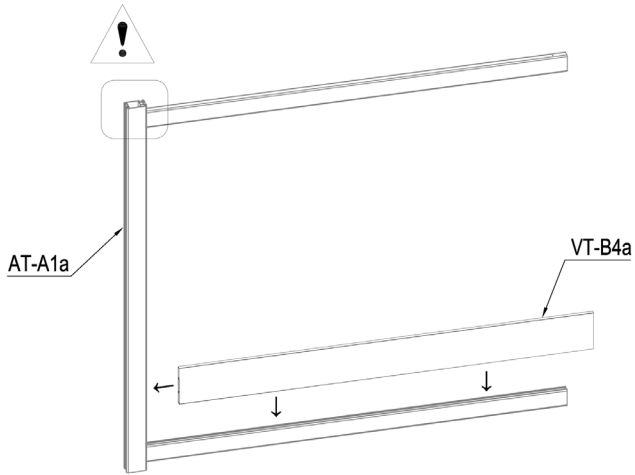
| | | |
|---|---------|---|
|  | AT-10 | 2 |
|  | VTW-E30 | 2 |


Part B.



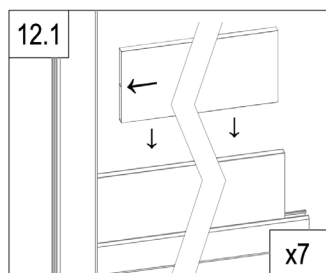
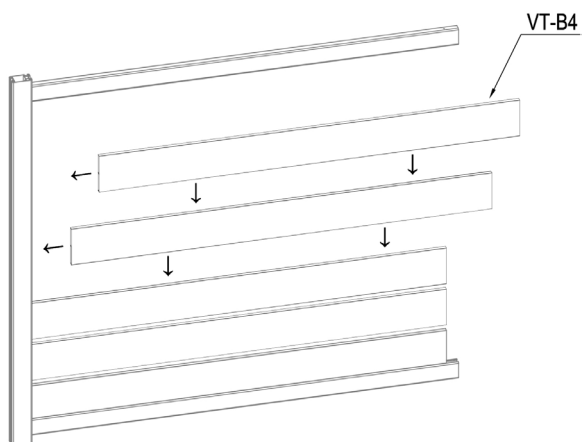
| | | |
|---|---------|---|
|  | AT-A1a | 1 |
|  | SR-B3b | 2 |
|  | Dr-28 | 2 |
|  | VTW-E32 | 4 |


Part B.



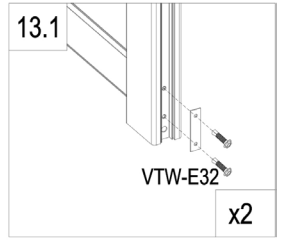
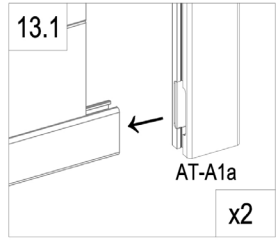
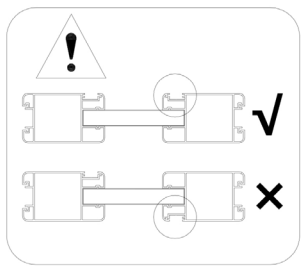
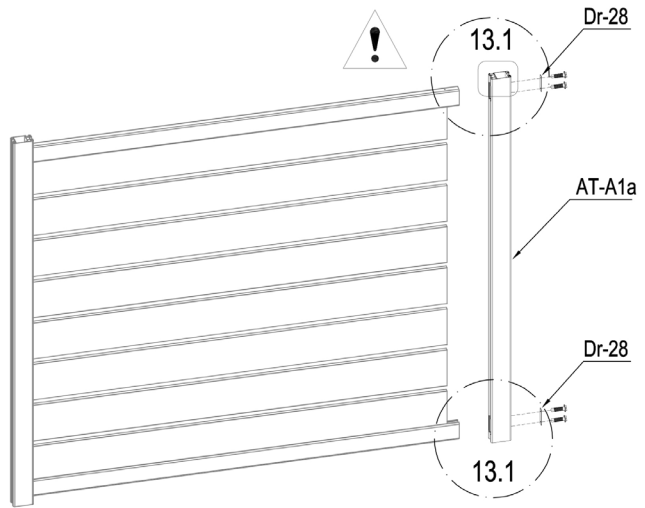
| | | |
|---|--------|---|
|  | VT-B4a | 1 |
|---|--------|---|




Part B.



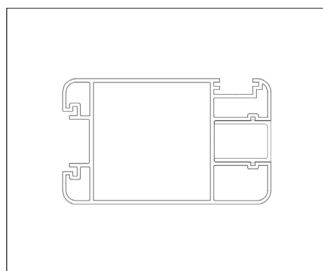
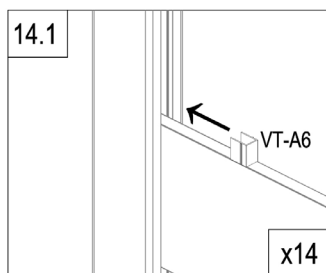
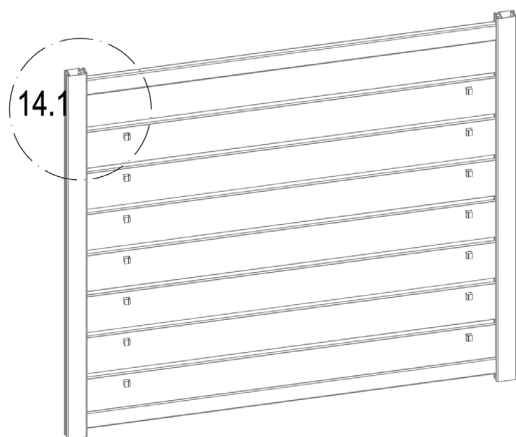
| | | |
|---|-------|---|
|  | VT-B4 | 7 |
|---|-------|---|


Part B.



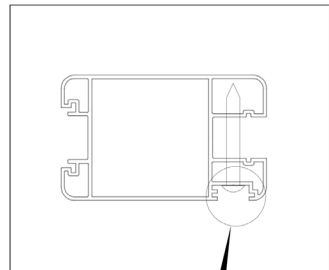
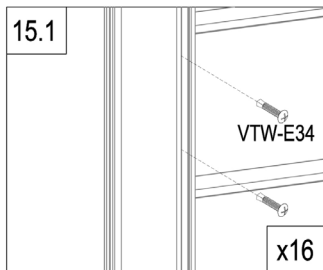
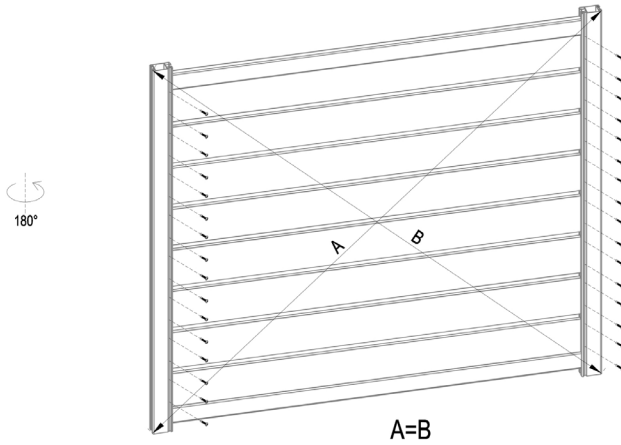
| | | |
|---|---------|---|
|  | AT-A1a | 1 |
|  | Dr-28 | 2 |
|  | VTW-E32 | 4 |

Part B.

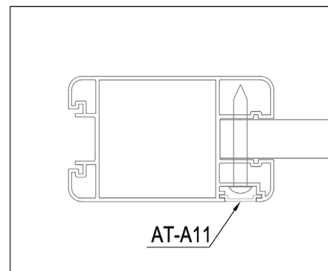
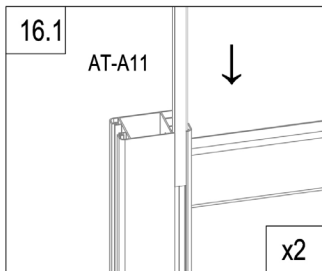
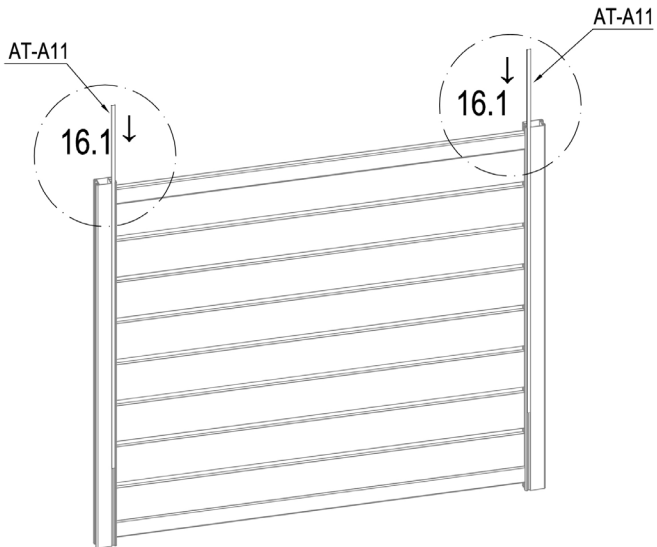


| | | |
|---|-------|----|
|  | VT-A6 | 14 |
|---|-------|----|

Part B.

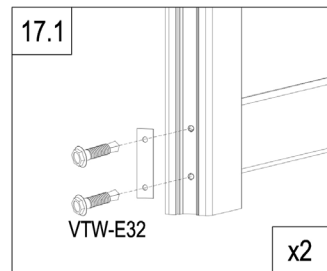
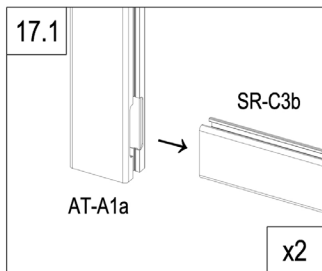
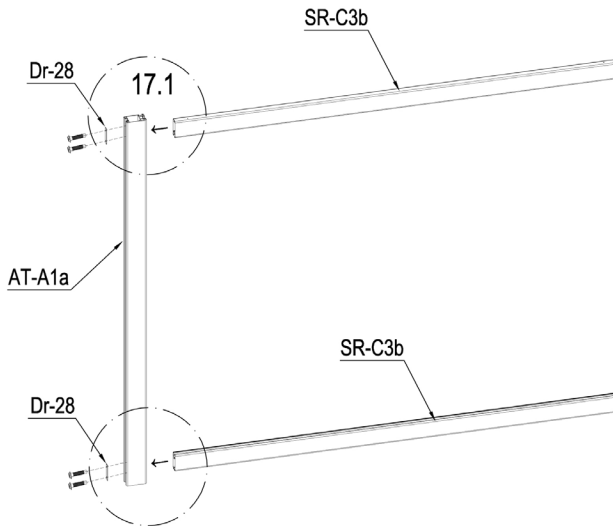



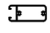


Part B.



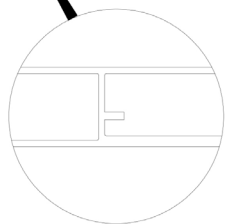
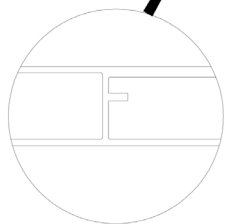
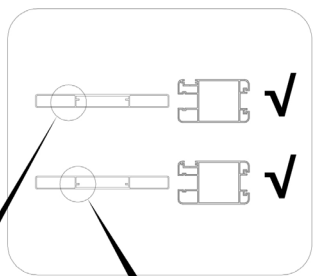
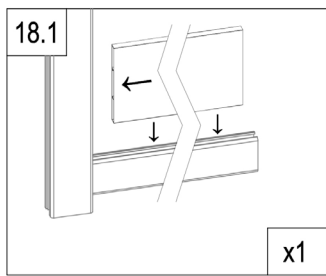
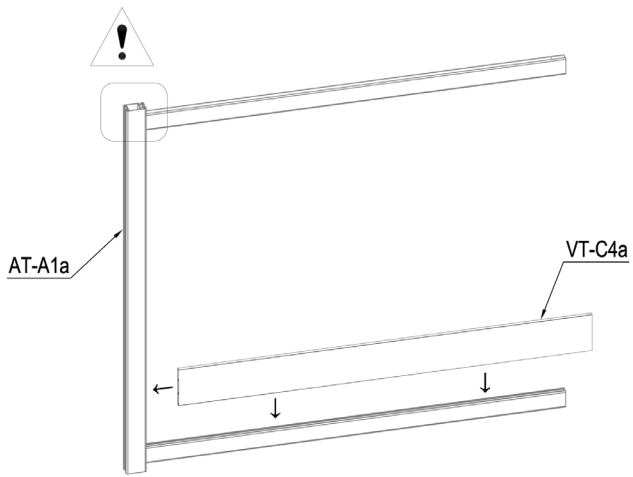
| | | |
|---|--------|---|
|  | AT-A11 | 2 |
|---|--------|---|


Part C.



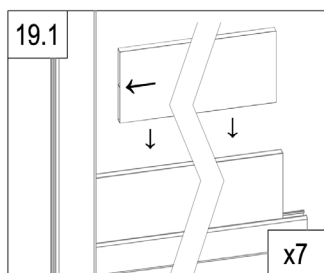
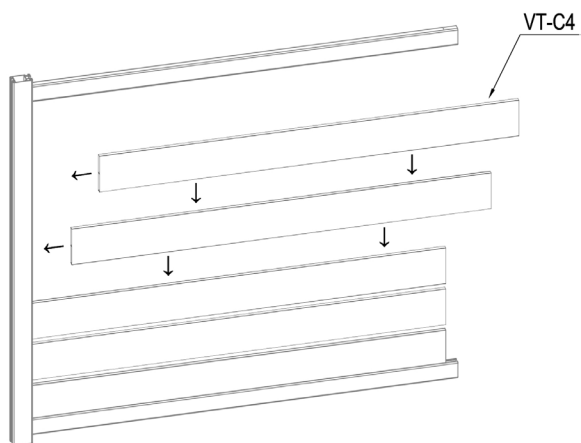
| | | |
|---|---------|---|
|  | AT-A1a | 1 |
|  | SR-C3b | 2 |
|  | Dr-28 | 2 |
|  | VTW-E32 | 4 |


Part C.



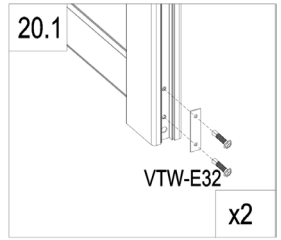
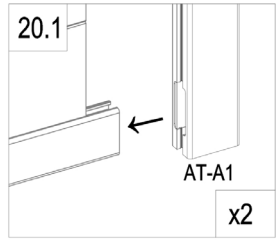
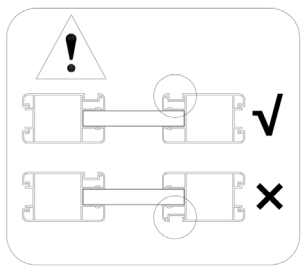
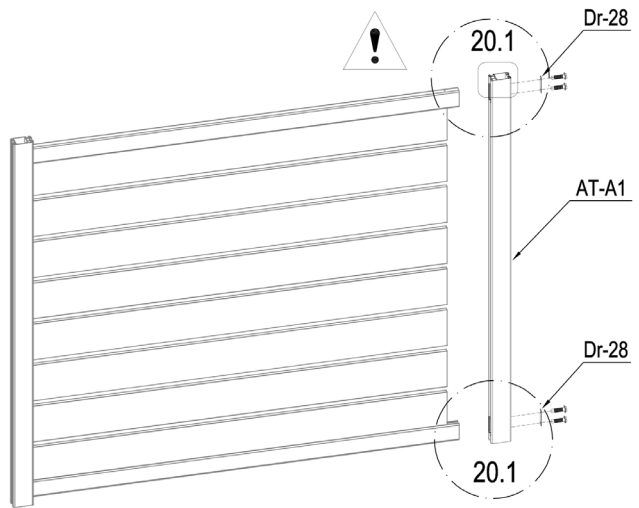
| | | |
|---|--------|---|
|  | VT-C4a | 1 |
|---|--------|---|




Part C.



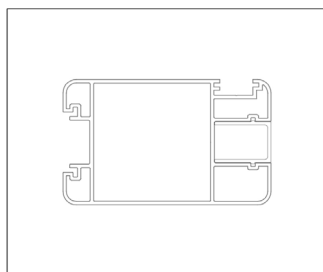
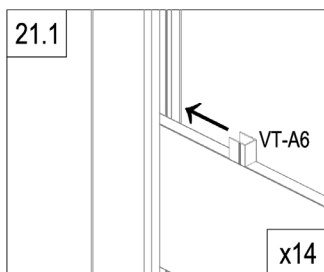
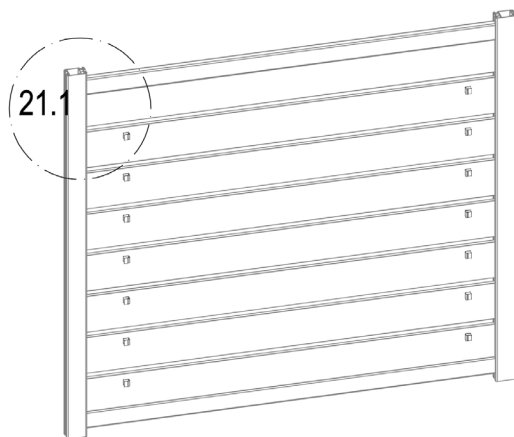
| | | |
|---|-------|---|
|  | VT-C4 | 7 |
|---|-------|---|


Part C.



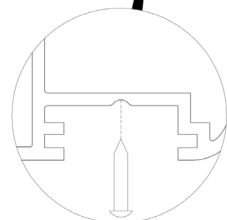
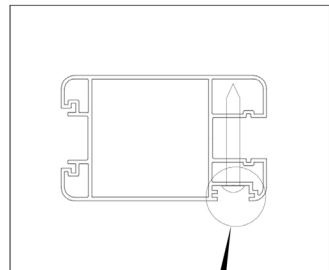
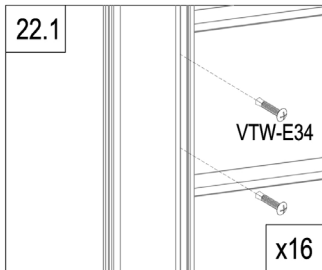
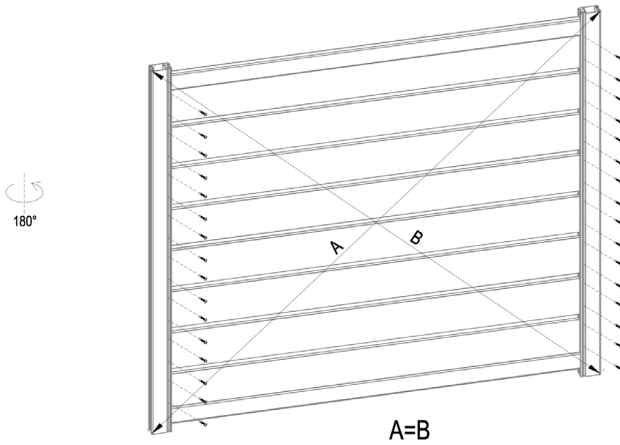
| | | |
|---|---------|---|
|  | AT-A1 | 1 |
|  | Dr-28 | 2 |
|  | VTW-E32 | 4 |

Part C.

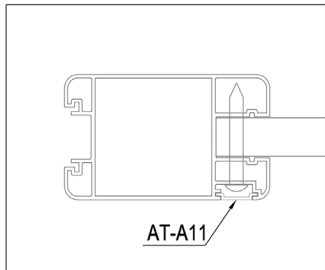
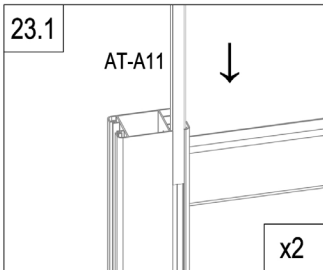
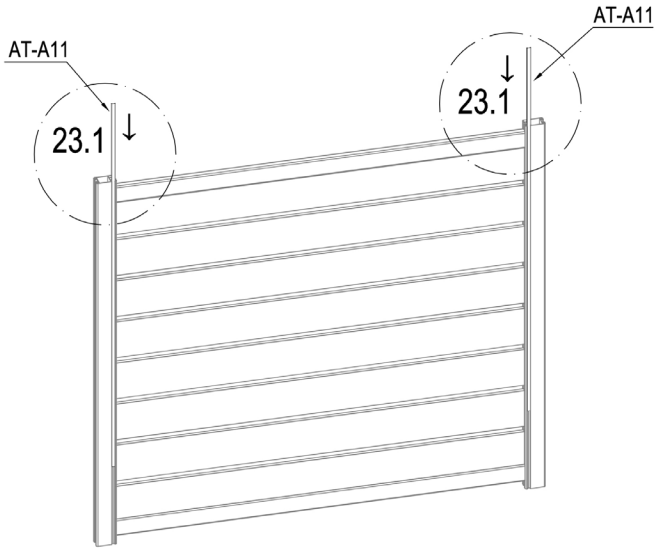



| | | |
|---|-------|----|
|  | VT-A6 | 14 |
|---|-------|----|

Part C.

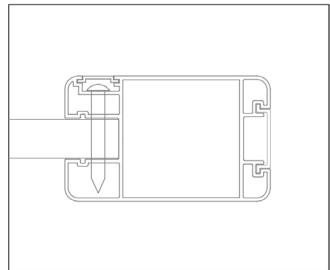
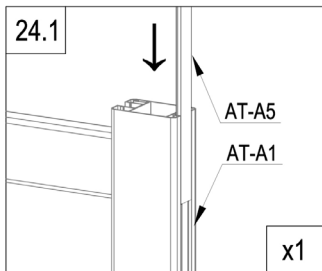
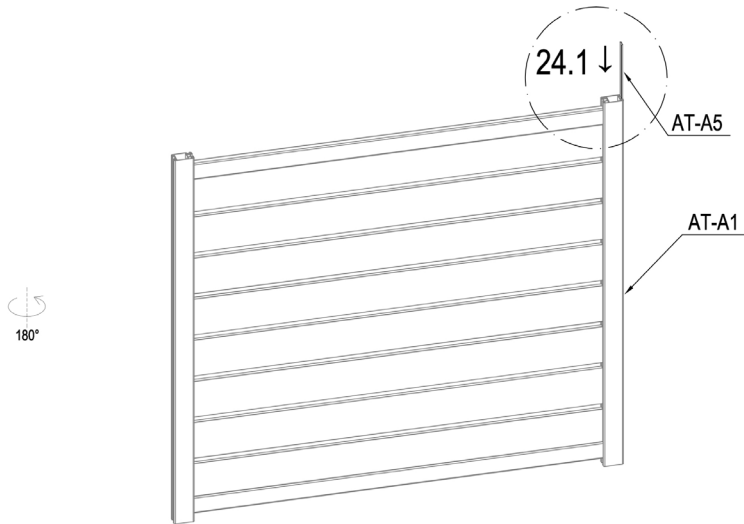


Part C.



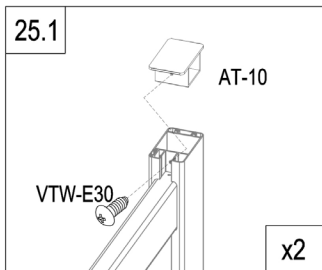
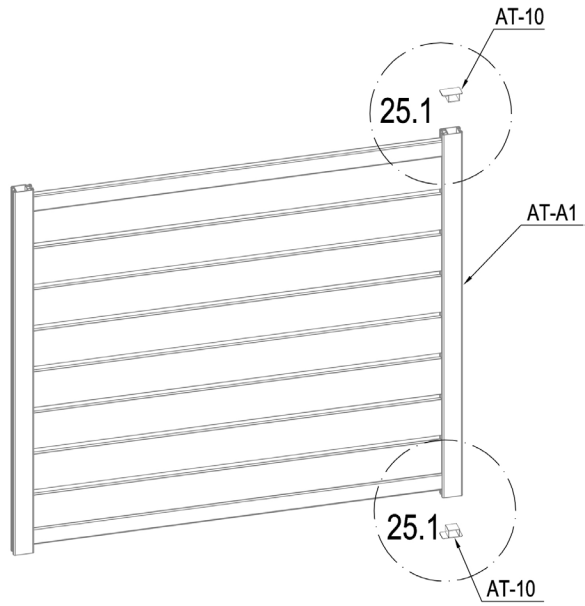
| | | |
|---|--------|---|
|  | AT-A11 | 2 |
|---|--------|---|



Part C.

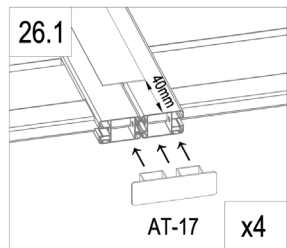
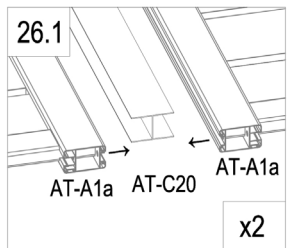
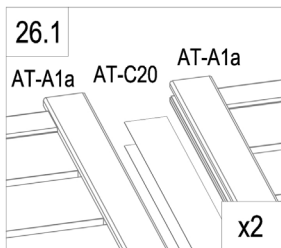
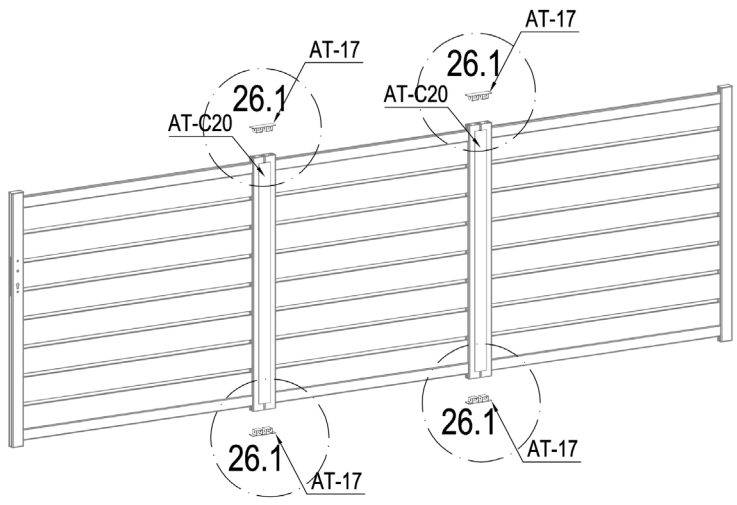





| | | |
|---|-------|---|
|] | AT-A5 | 1 |
|---|-------|---|

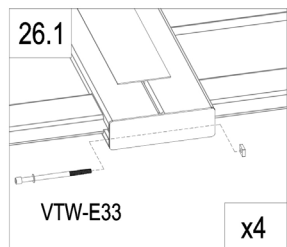
Part C.

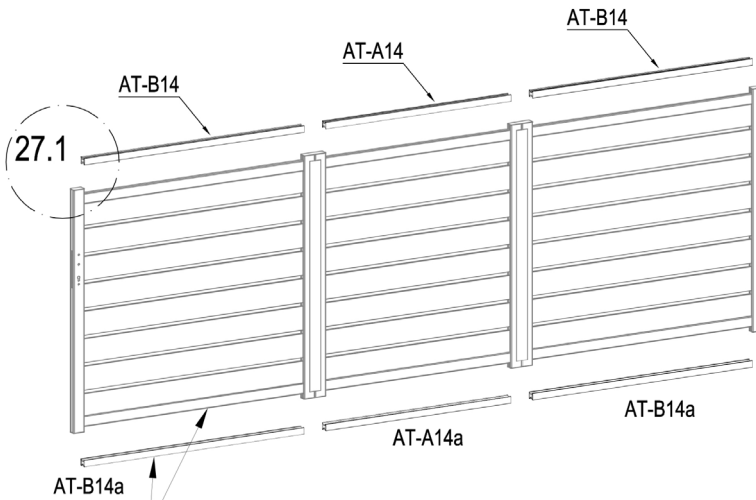


| | | |
|---|---------|---|
|  | AT-10 | 2 |
|  | VTW-E30 | 2 |

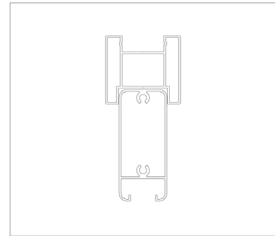
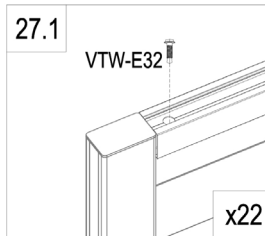
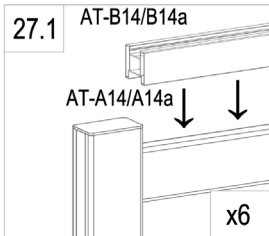




| | | |
|---|---------|---|
|  | AT-C20 | 2 |
|  | AT-17 | 4 |
|  | VTW-E33 | 4 |




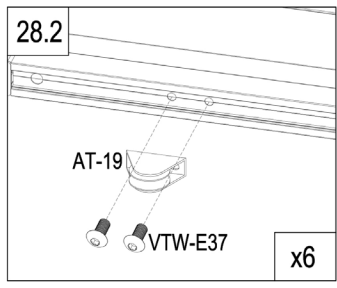
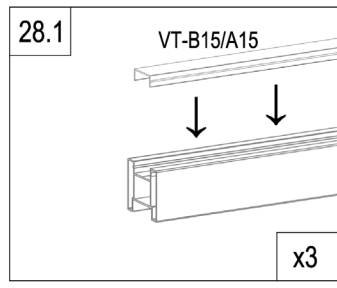
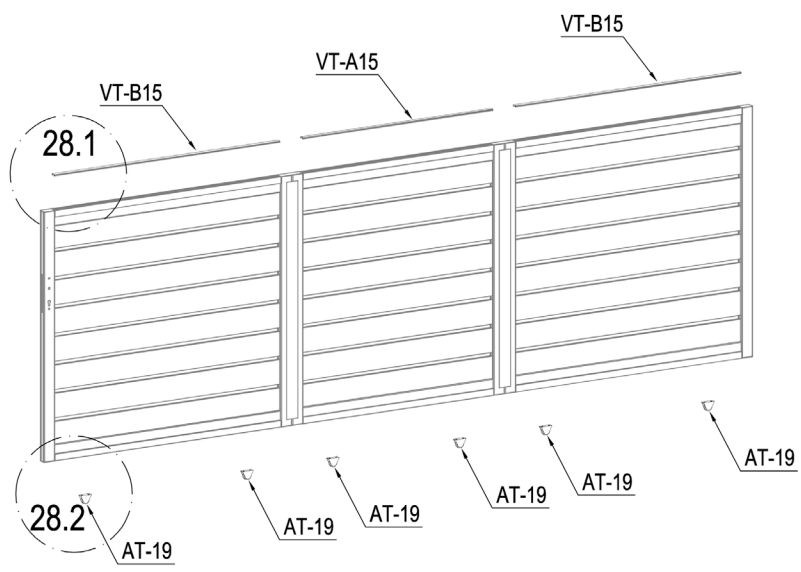


EN: These parts are made for connecting your gate's automation
 FR: Ces pièces sont faites pour relier l'automatisation de votre portail
 DE: Diese Teile sind für den Anschluss der Automatisierung Ihres Tores vorgesehen
 ES: Estas piezas están hechas para conectar la automatización de su puerta
 PT: Estas peças são feitas para ligar a automatização do seu portão
 IT: Queste parti sono realizzate per collegare l'automazione del vostro cancello
 NL: Deze onderdelen zijn gemaakt voor het aansluiten van de automatisering van uw poort.
 PL: Te części są wykonane do podłączenia automatyki bramy.

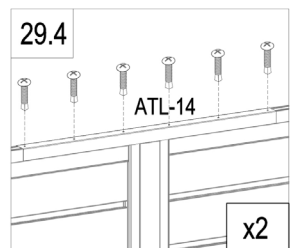
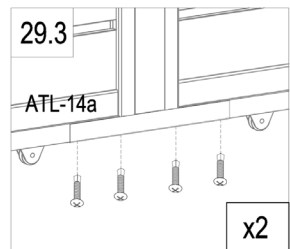
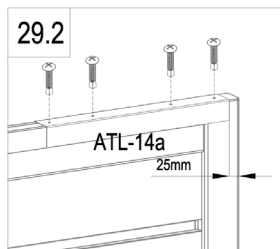
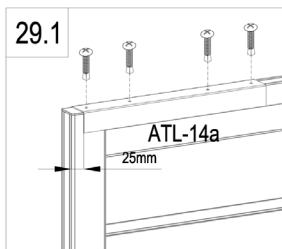
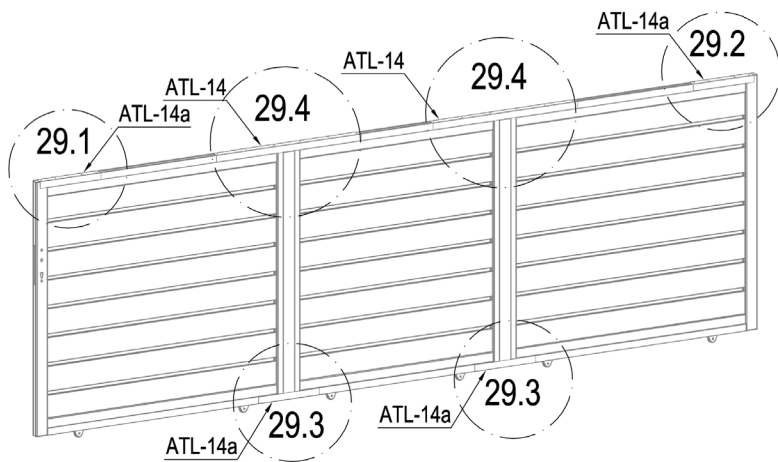





| | | |
|---|---------|----|
|  | AT-B14 | 2 |
| | AT-B14a | 2 |
|  | VTW-E32 | 22 |

| | | |
|---|---------|---|
|  | AT-A14 | 1 |
| | AT-A14a | 1 |

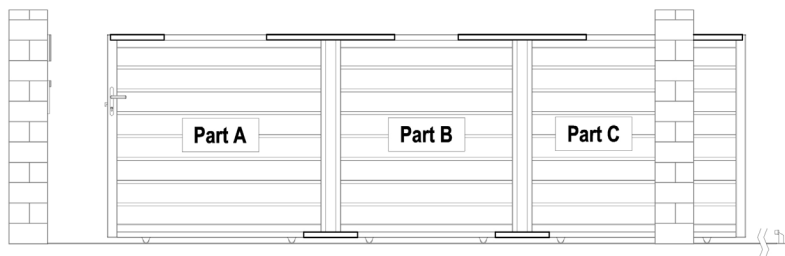


| | | |
|--|---------|----|
| | VT-A15 | 1 |
| | VT-B15 | 2 |
| | AT-19 | 6 |
| | VTW-E37 | 12 |

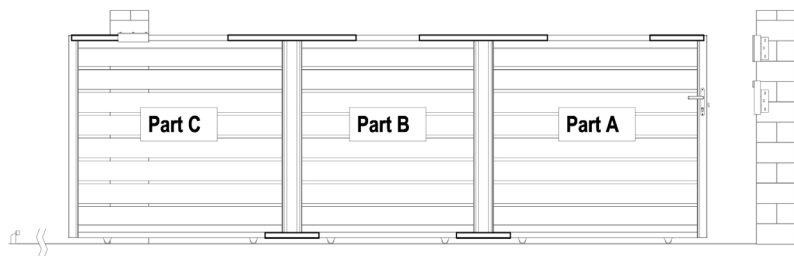


| | | |
|---|---------|----|
|  | ATL-14 | 2 |
|  | ATL-14a | 4 |
|  | VTW-E34 | 28 |

Ext.

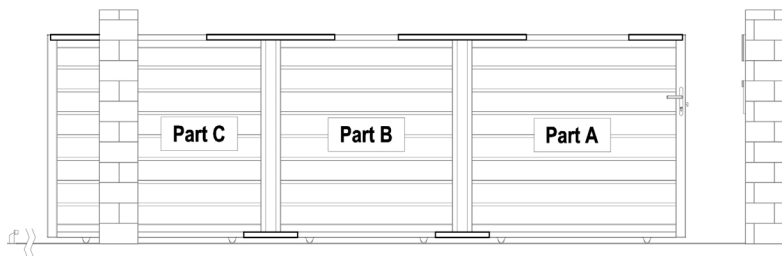


Int.

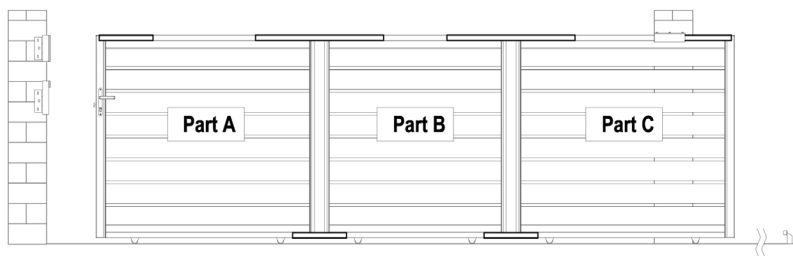


L : P30~36

Ext.

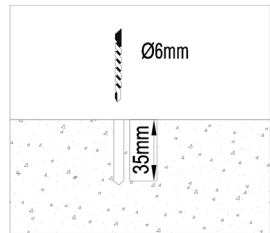
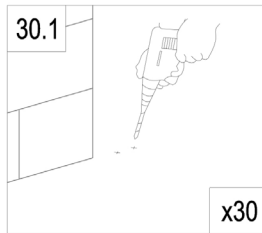
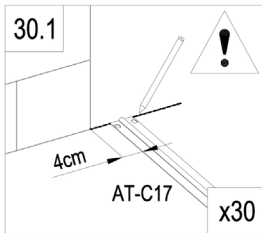
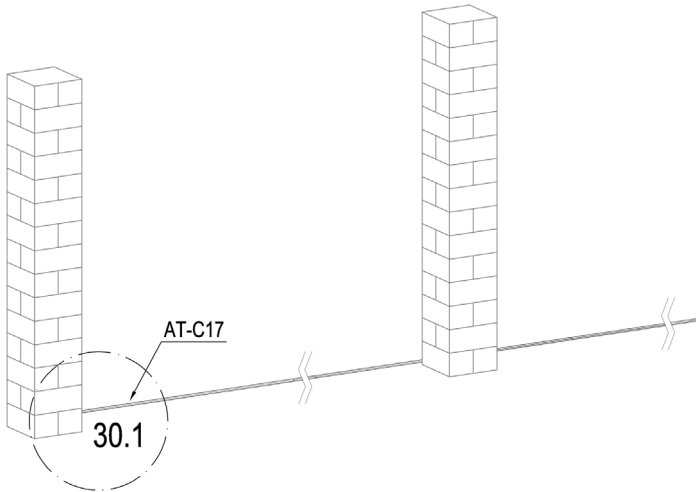




Int.

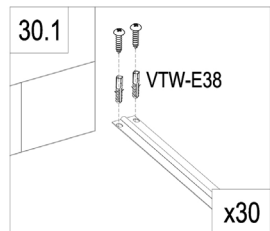


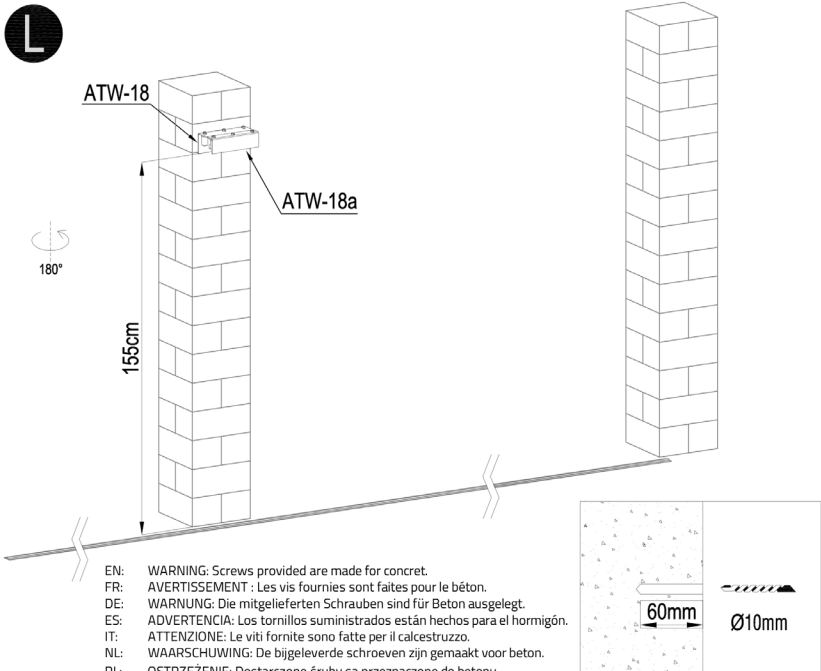
R : P37~43

L

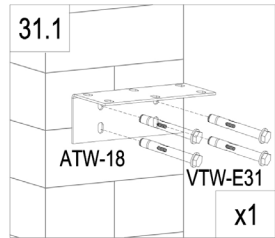
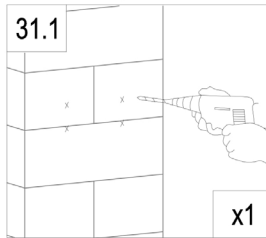
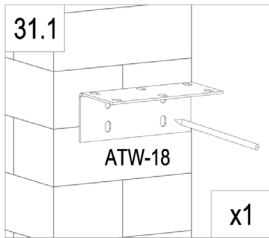


| | | |
|---|---------|----|
|  | AT-C17 | 6 |
|  | VTW-E38 | 60 |

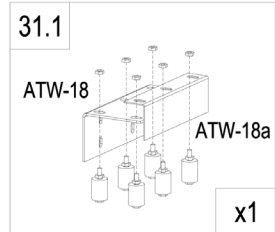
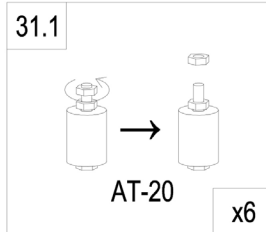




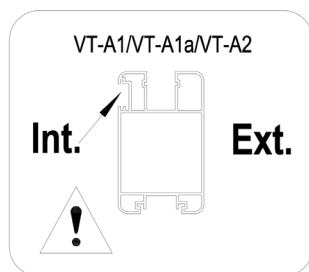
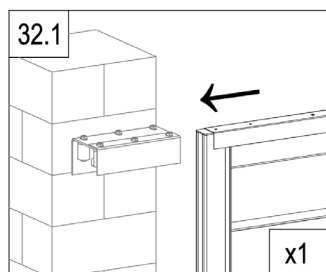
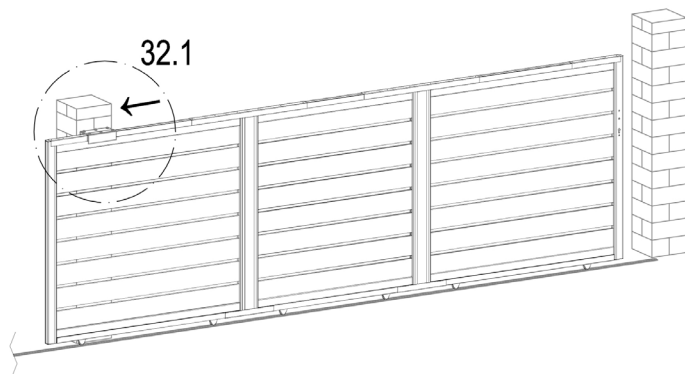
EN: WARNING: Screws provided are made for concrete.
 FR: AVERTISSEMENT : Les vis fournies sont faites pour le béton.
 DE: WARNUNG: Die mitgelieferten Schrauben sind für Beton ausgelegt.
 ES: ADVERTENCIA: Los tornillos suministrados están hechos para el hormigón.
 IT: ATTENZIONE: Le viti fornite sono fatte per il calcestruzzo.
 NL: WAARSCHUWING: De bijgeleverde schroeven zijn gemaakt voor beton.
 PL: OSTRZEŻENIE: Dostarczone śruby są przeznaczone do betonu.
 PT: AVISO: Os parafusos fornecidos são feitos para betão.



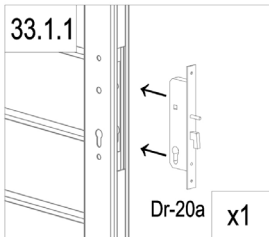
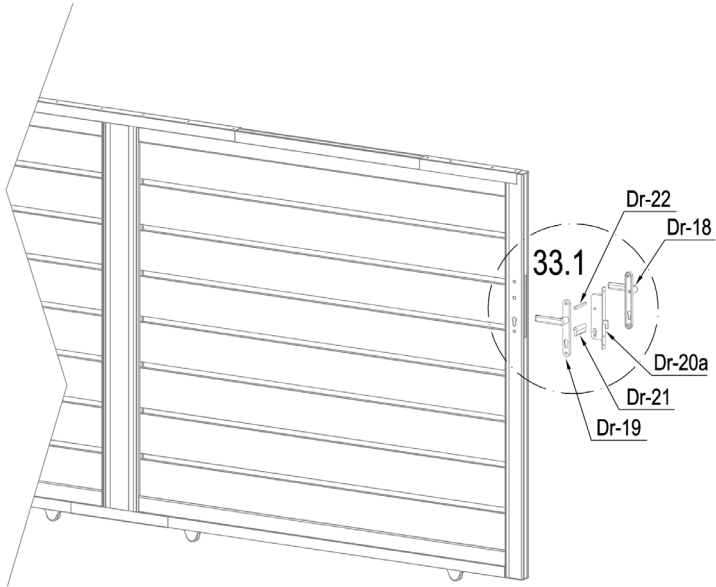
| | | |
|--|---------|---|
| | ATW-18 | 1 |
| | ATW-18a | 1 |
| | AT-20 | 6 |
| | VTW-E31 | 4 |



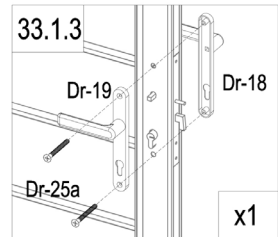
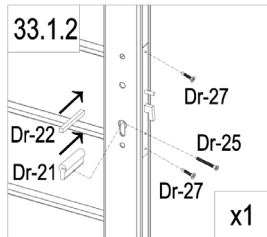
L



L



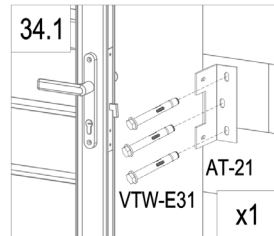
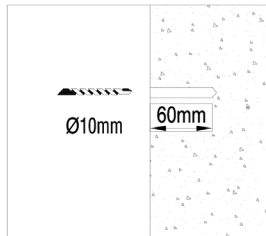
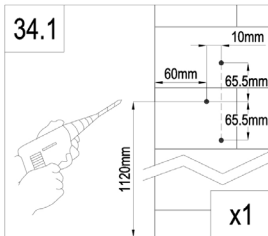
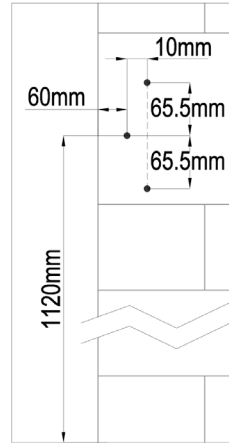
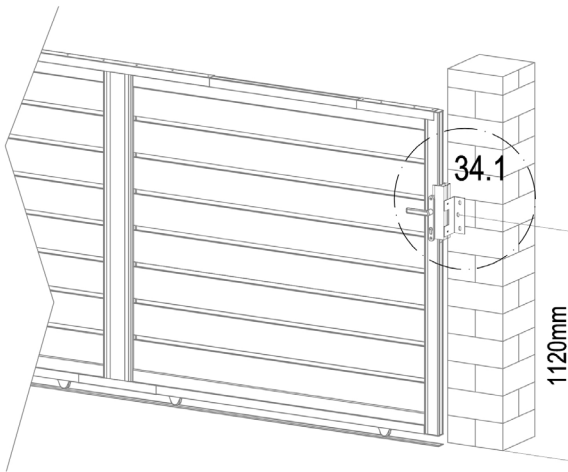
| | | |
|--|--------|---|
| | Dr-20a | 1 |
| | Dr-21 | 1 |
| | Dr-22 | 1 |
| | Dr-25 | 1 |



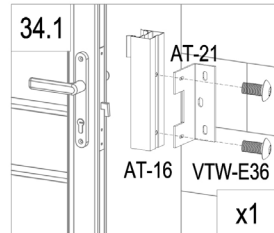
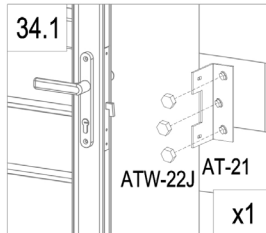
| | | |
|--|--------|---|
| | Dr-18 | 1 |
| | Dr-19 | 1 |
| | Dr-25a | 2 |
| | Dr-27 | 2 |

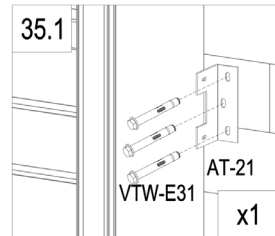
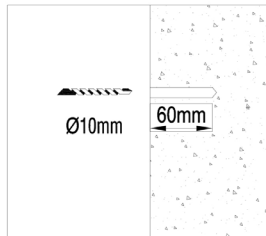
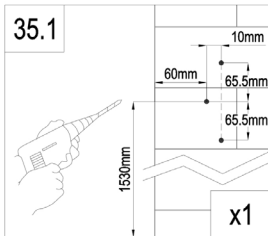
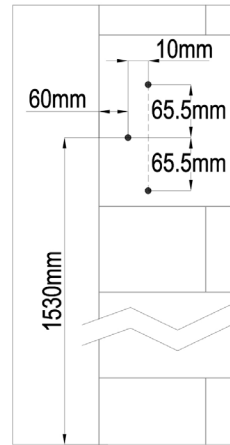
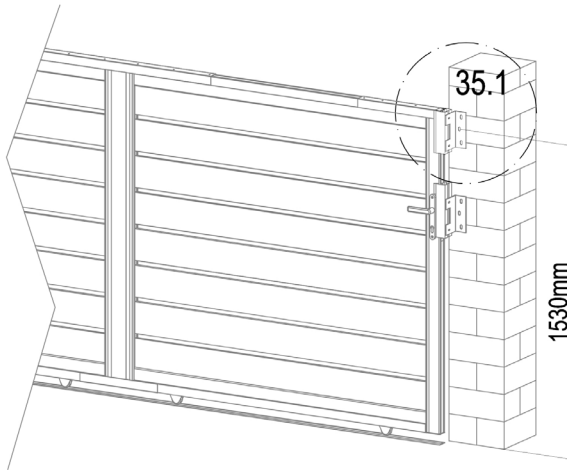


EN: WARNING: Screws provided are made for concret.
 FR: AVERTISSEMENT : Les vis fournies sont faites pour le béton.
 DE: WARNUNG: Die mitgelieferten Schrauben sind für Beton ausgelegt.
 ES: ADVERTENCIA: Los tornillos suministrados están hechos para el hormigón.
 IT: ATTENZIONE: Le viti fornite sono fatte per il calcestruzzo.
 NL: WAARSCHUWING: De bijgeleverde schroeven zijn gemaakt voor beton.
 PL: OSTRZEŻENIE: Dostarczone śruby są przeznaczone do betonu.
 PT: AVISO: Os parafusos fornecidos são feitos para betão.

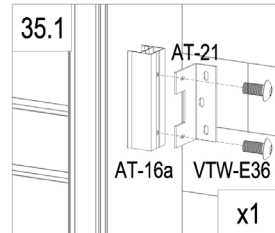
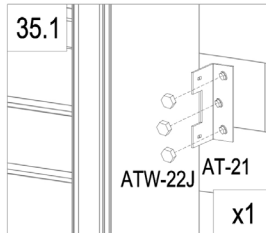


| | | |
|--|---------|---|
| | AT-16 | 1 |
| | AT-21 | 1 |
| | VTW-E36 | 2 |
| | VTW-E31 | 3 |
| | ATW-22J | 3 |

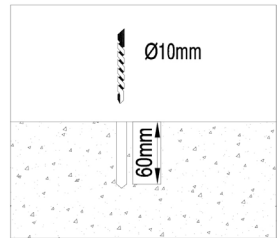
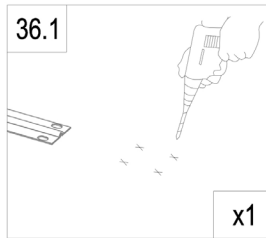
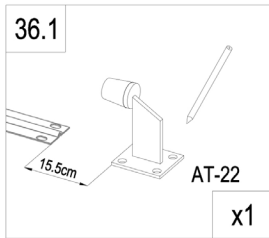
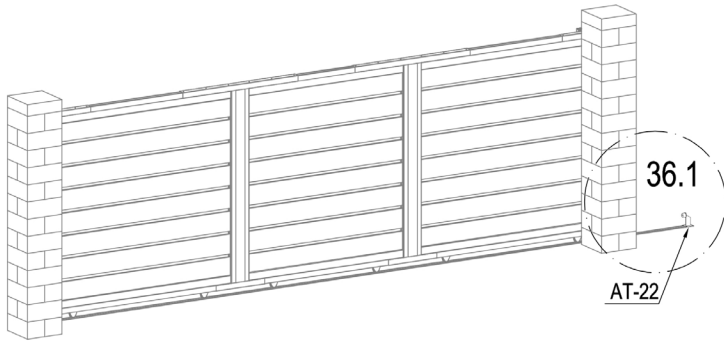




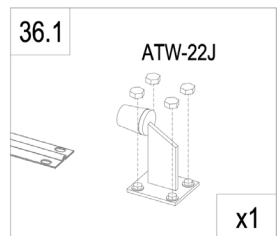
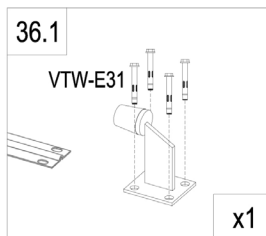
| | | |
|--|---------|---|
| | AT-16a | 1 |
| | AT-21 | 1 |
| | VTW-E36 | 2 |
| | VTW-E31 | 3 |
| | ATW-22J | 3 |



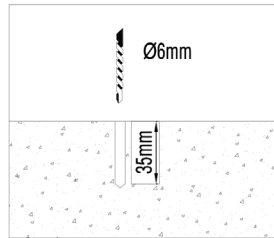
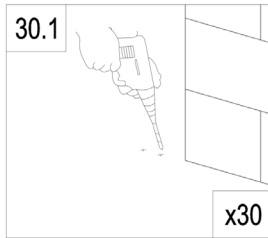
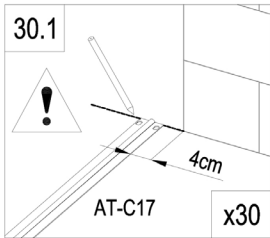
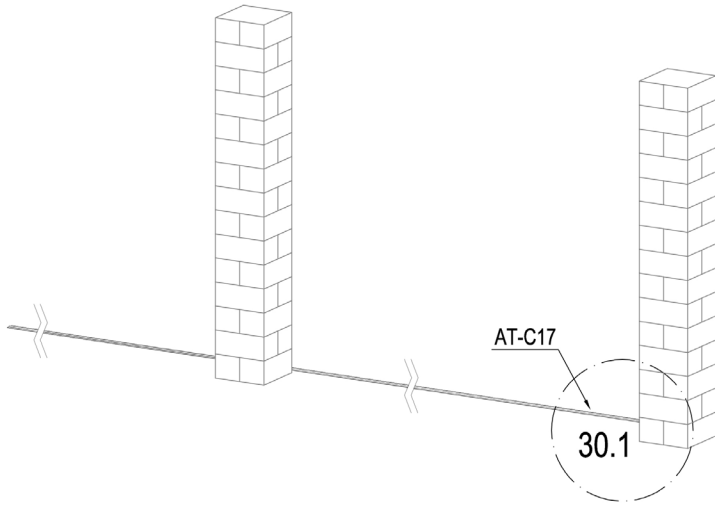
L





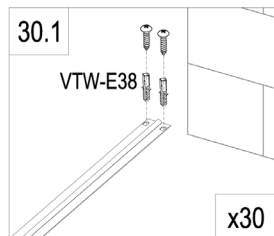
| | | |
|--|---------|---|
| | AT-22 | 1 |
| | VTW-E31 | 4 |
| | ATW-22J | 4 |



R

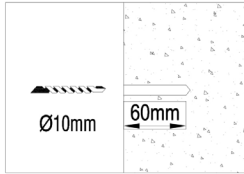
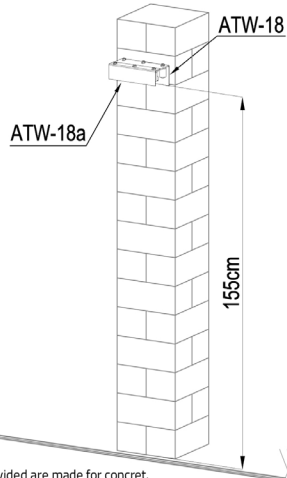
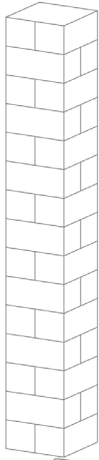


| | | |
|---|---------|----|
|  | AT-C17 | 6 |
|  | VTW-E38 | 60 |

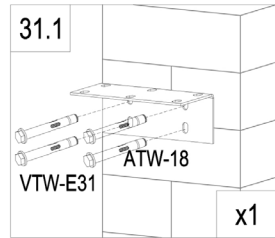
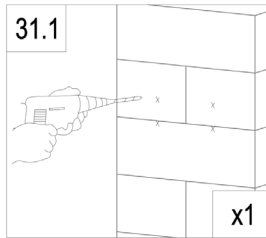
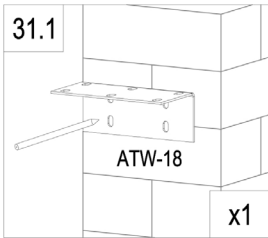


R

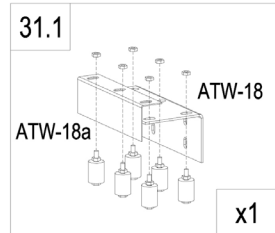
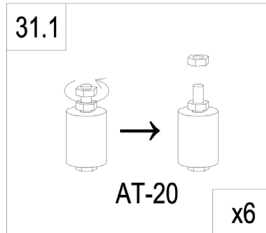
180°



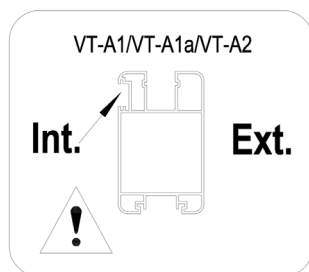
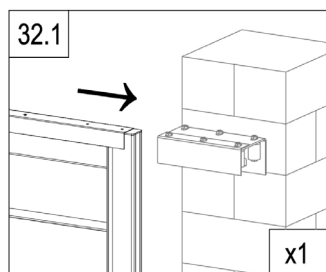
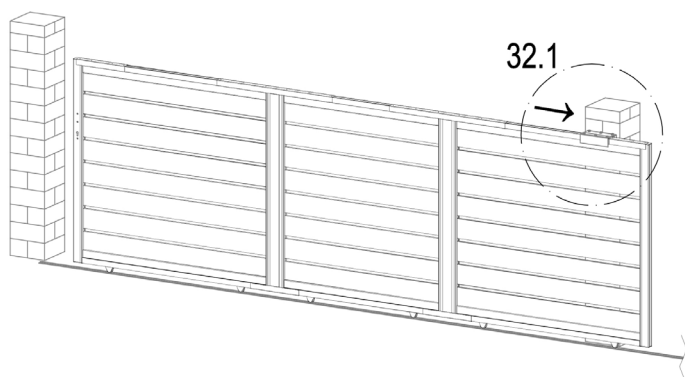
EN: WARNING: Screws provided are made for concret.
 FR: AVERTISSEMENT : Les vis fournies sont faites pour le béton.
 DE: WARNUNG: Die mitgelieferten Schrauben sind für Beton ausgelegt.
 ES: ADVERTENCIA: Los tornillos suministrados están hechos para el hormigón.
 IT: ATTENZIONE: Le viti fornite sono fatte per il calcestruzzo.
 NL: WAARSCHUWING: De bijgeleverde schroeven zijn gemaakt voor beton.
 PL: OSTRZEŻENIE: Dostarczone śruby są przeznaczone do betonu.
 PT: AVISO: Os parafusos fornecidos são feitos para betão.



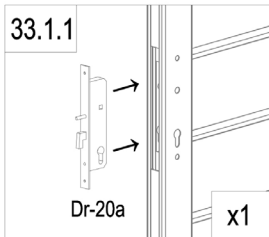
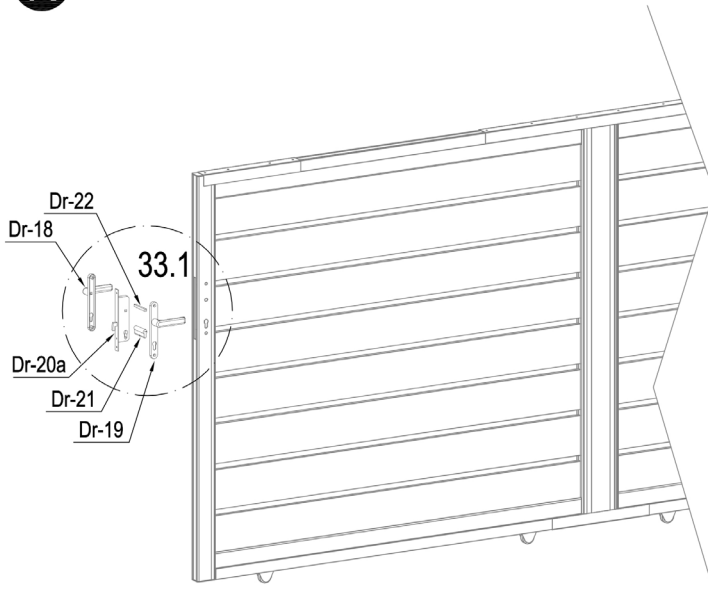
| | | |
|--|---------|---|
| | ATW-18 | 1 |
| | ATW-18a | 1 |
| | AT-20 | 6 |
| | VTW-E31 | 4 |



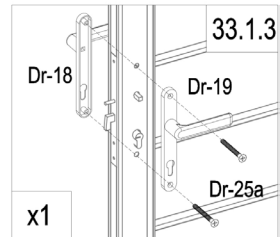
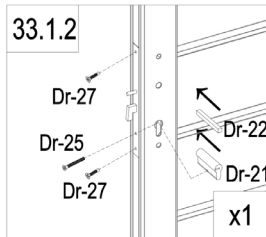
R



R



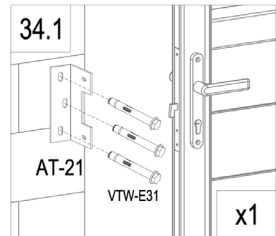
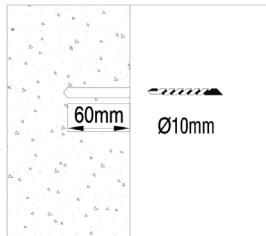
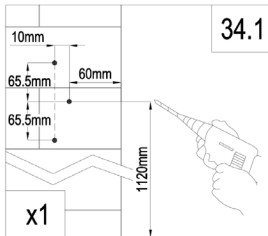
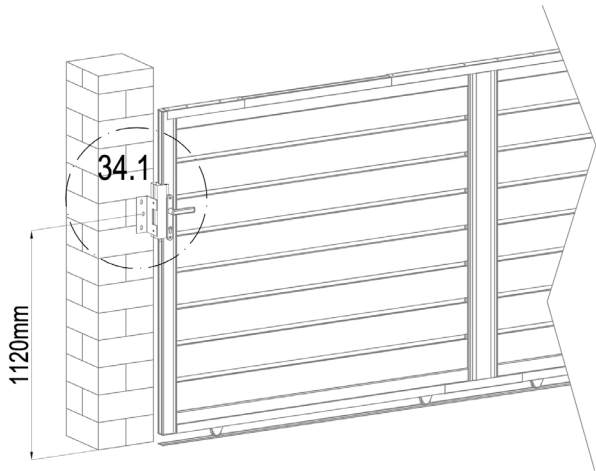
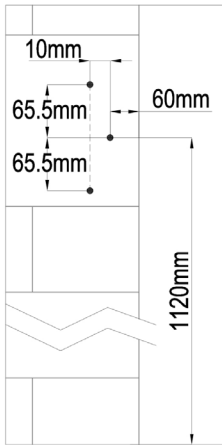
| | | |
|--|--------|---|
| | Dr-20a | 1 |
| | Dr-21 | 1 |
| | Dr-22 | 1 |
| | Dr-25 | 1 |



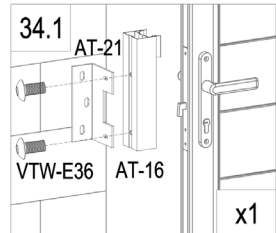
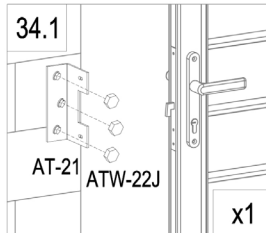
| | | |
|--|--------|---|
| | Dr-18 | 1 |
| | Dr-19 | 1 |
| | Dr-25a | 2 |
| | Dr-27 | 2 |

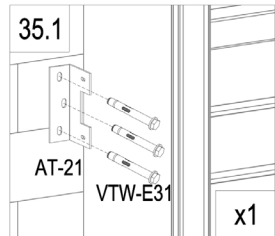
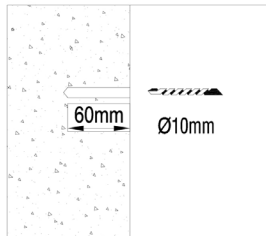
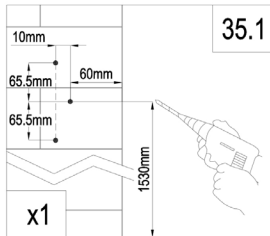
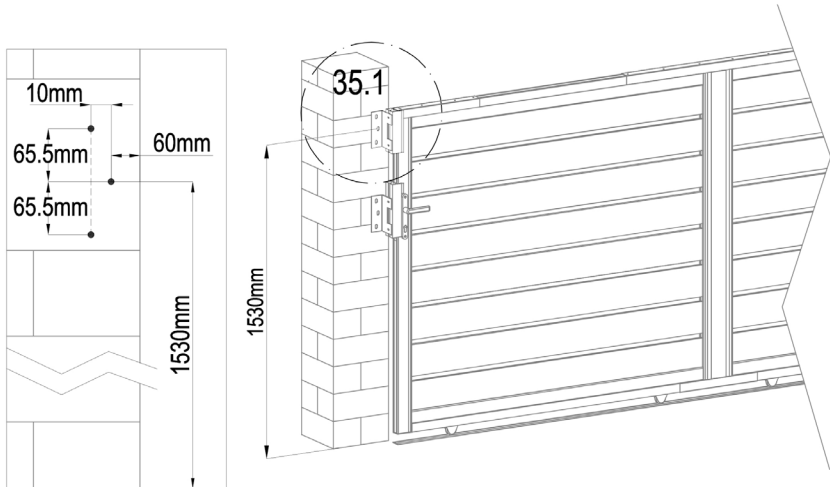


EN: WARNING: Screws provided are made for concret.
 FR: AVERTISSEMENT : Les vis fournies sont faites pour le béton.
 DE: WARNUNG: Die mitgelieferten Schrauben sind für Beton ausgelegt.
 ES: ADVERTENCIA: Los tornillos suministrados están hechos para el hormigón.
 IT: ATTENZIONE: Le viti fornite sono fatte per il calcestruzzo.
 NL: WAARSCHUWING: De bijgeleverde schroeven zijn gemaakt voor beton.
 PL: OSTRZEŻENIE: Dostarczone śruby są przeznaczone do betonu.
 PT: AVISO: Os parafusos fornecidos são feitos para betão.

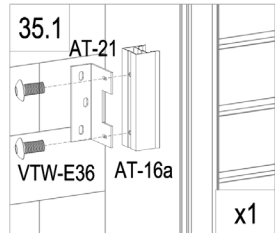
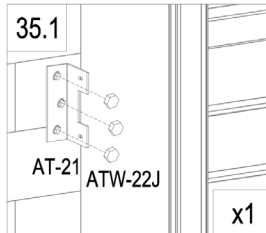


| | | |
|--|---------|---|
| | AT-16 | 1 |
| | AT-21 | 1 |
| | VTW-E36 | 2 |
| | VTW-E31 | 3 |
| | ATW-22J | 3 |

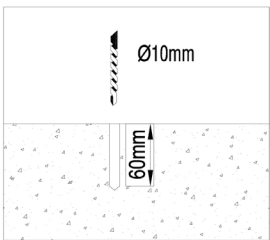
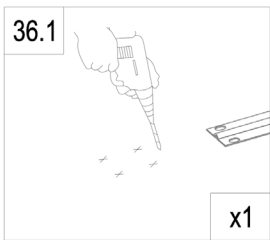
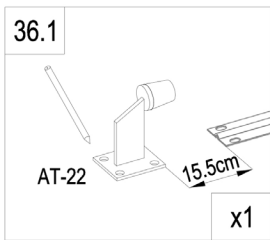
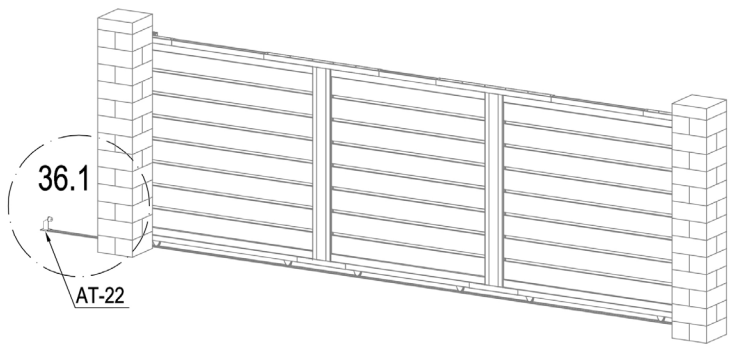




| | | |
|--|---------|---|
| | AT-16a | 1 |
| | AT-21 | 1 |
| | VTW-E36 | 2 |
| | VTW-E31 | 3 |
| | ATW-22J | 3 |



R



| | | |
|--|---------|---|
| | AT-22 | 1 |
| | VTW-E31 | 4 |
| | ATW-22J | 4 |

