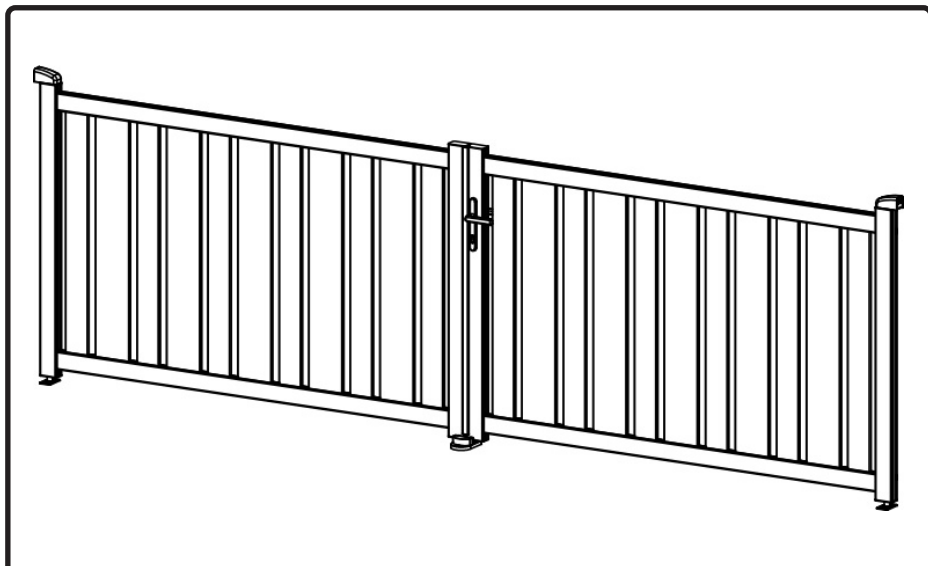


CASANOVO

VEYMONT 400B120



COM-000832 [x1]

COM-000833 [x1]



5-7H

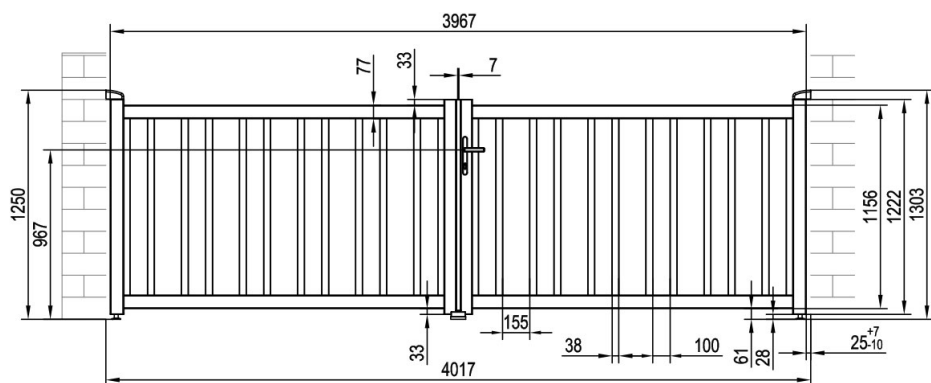


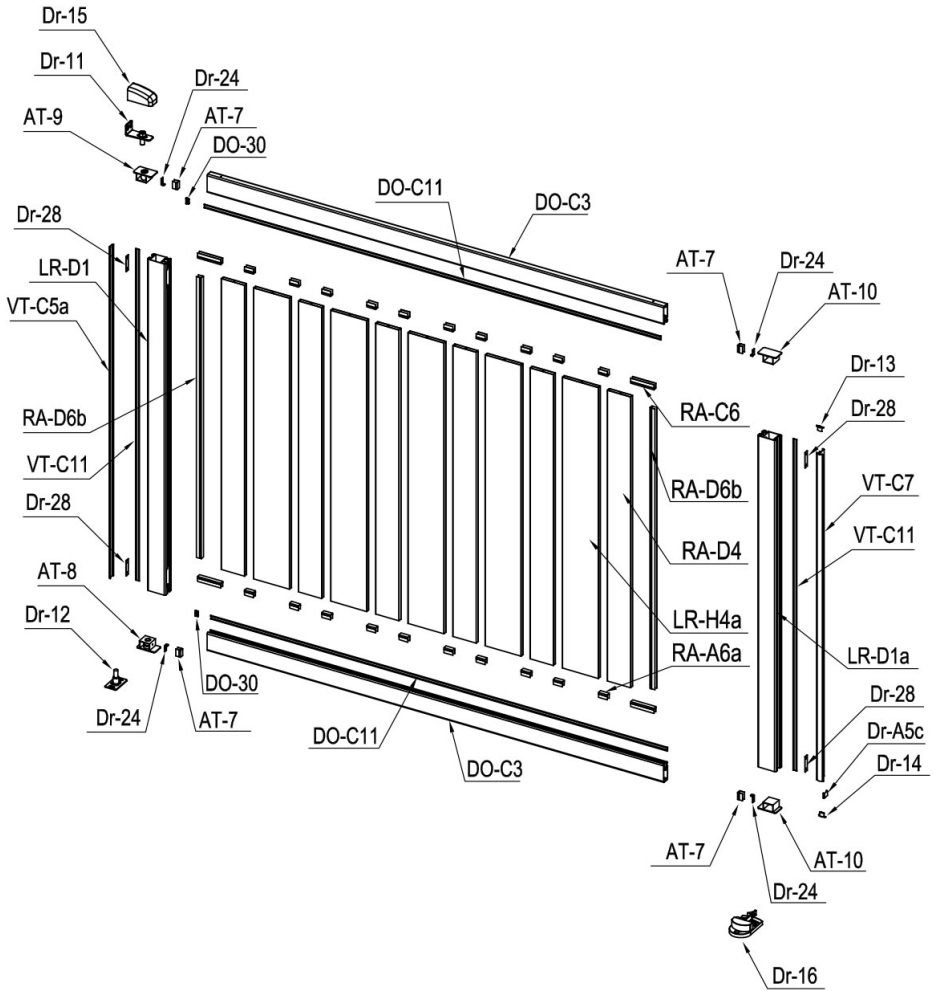
X 2

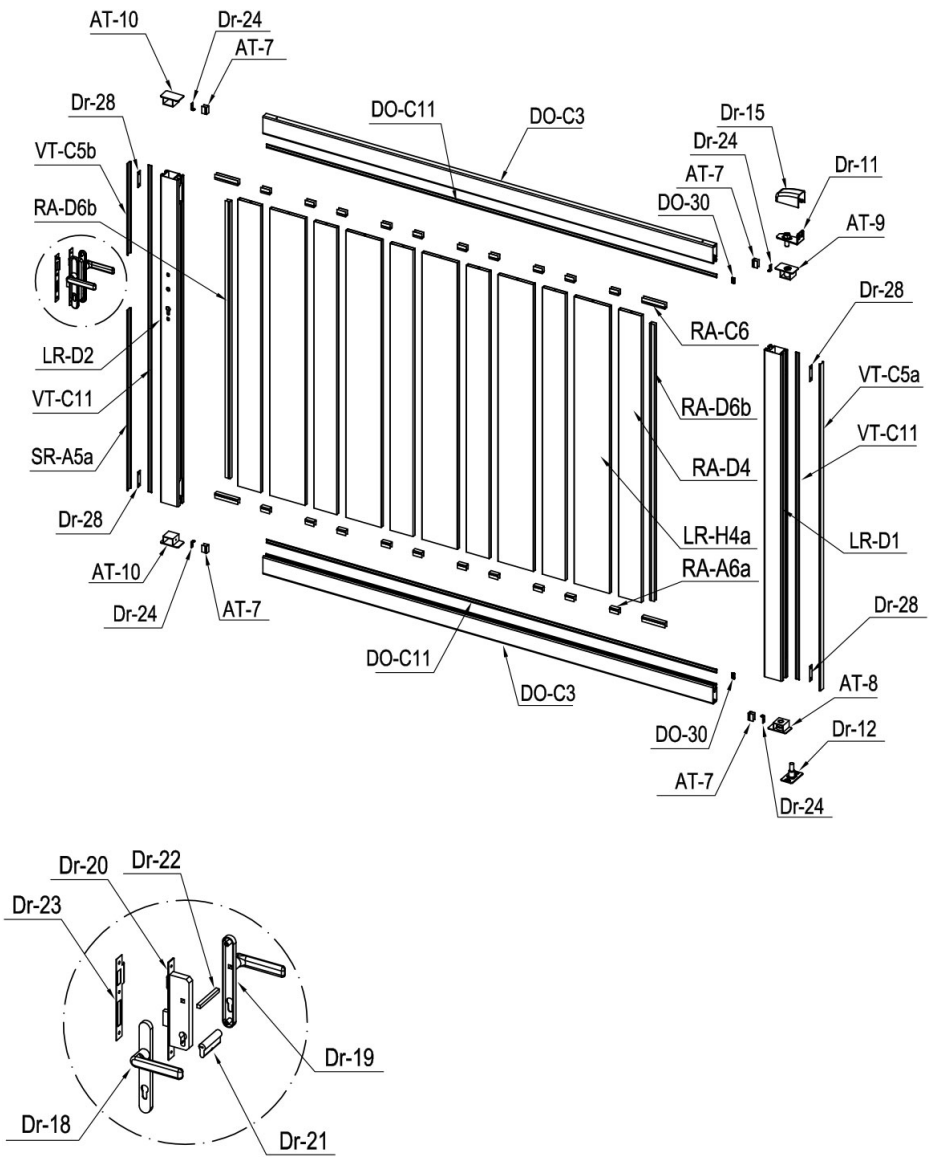
EN FR DE ES PT IT NL PL FI SE DK
RO SI SK HU CZ HR GR LT LV



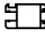



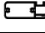



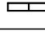


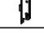







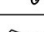









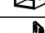

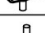



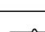


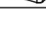
INSTRUCTION MANUAL / NOTICE DE MONTAGE / MONTAGEANLEITUNG / MANUAL DE MONTAJE / MANUAL DE MONTAGEM / MANUALE DI MONTAGGIO /
MONTAGEHANDLEIDING / INSTRUKCJA MONTAŻU / KÄYTTÖOHJEET / BRUKSANVISNING / BRUGSANVISNING / INSTRUCȚIUNI DE ASAMBLARE /
NAVODILA ZA SESTAVLJANJE / NÁVOD NA MONTÁŽ / ÖSSZESZERELÉSI ÚTMUTATÓ / NÁVOD K MONTÁŽI / UPUTE ZA INSTALACIJU /
ΟΔΗΓΙΕΣ ΣΥΝΑΡΜΟΛΟΓΗΣΗΣ / SURINKIMO INSTRUKCIJOS / MONTÁŽAS INSTRUKCIJAS

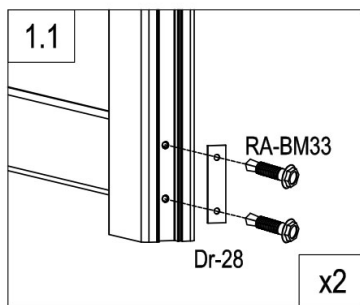
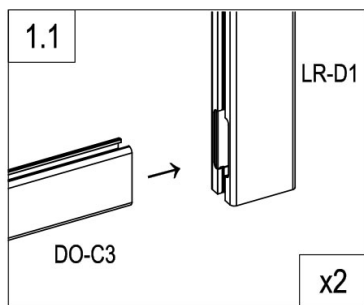
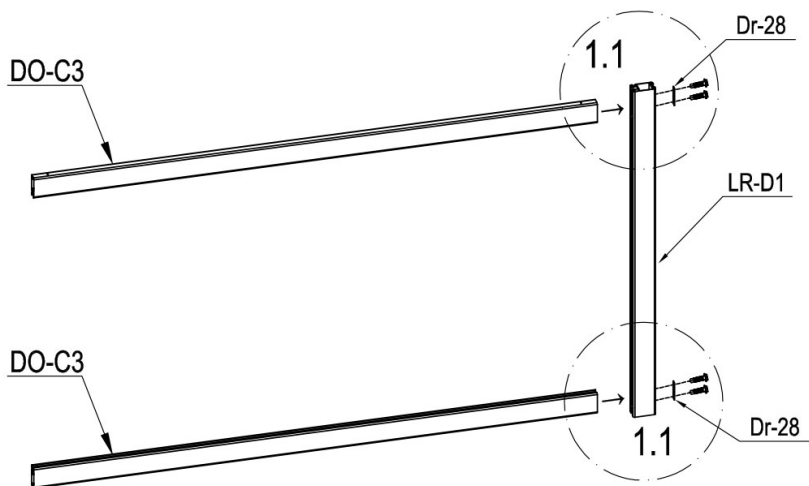


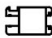





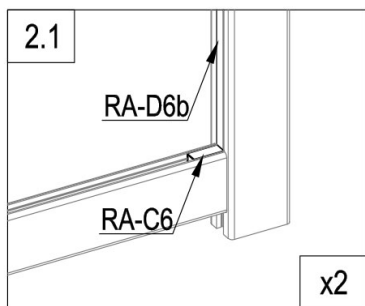
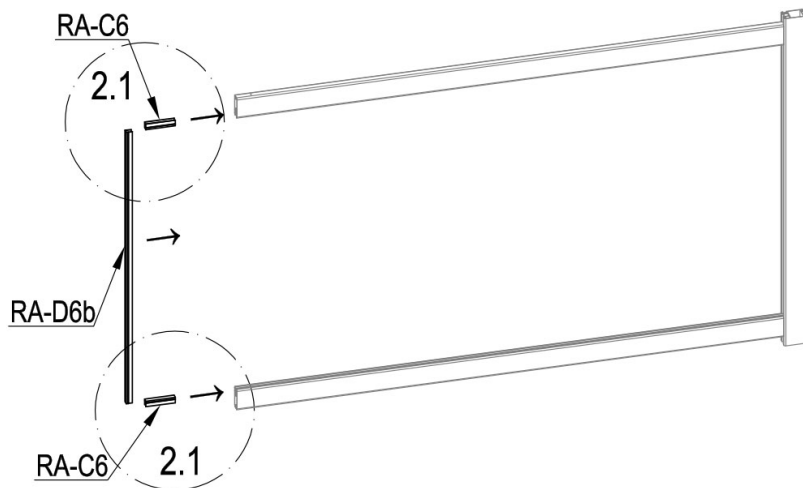



PART LIST

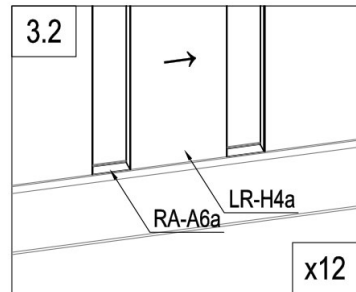
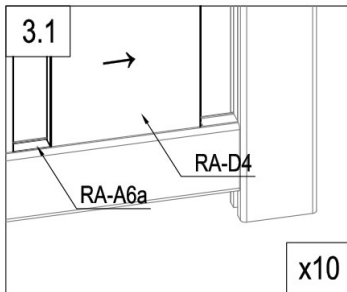
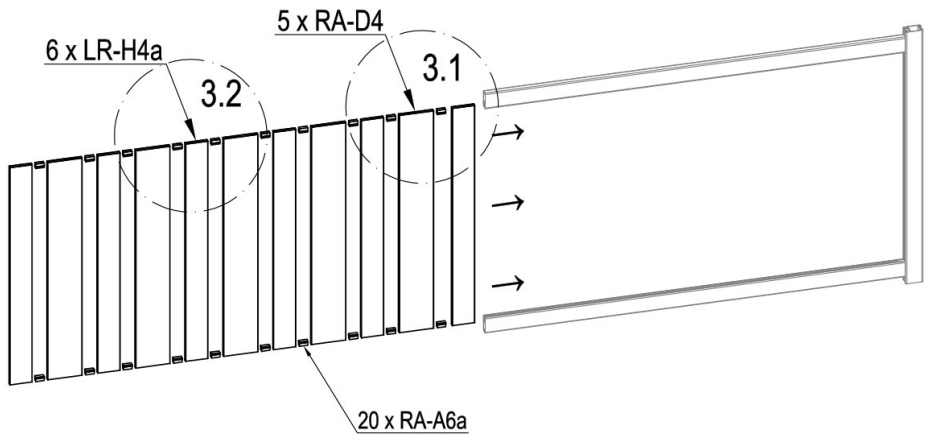
IMAGE	NO.	L.(mm)	QTY	IMAGE	NO.	L.(mm)	QTY
	LR-D1	1217	2		Dr-16		1
	LR-D1a	1217	1		Dr-17		2
	LR-D2	1217	1		Dr-31		4
	DO-C3	1957	4		DO-30		4
	RA-D4	1044	10		Dr-18		1
	LR-H4a	1044	12		Dr-19		1
	VT-C5a	1217	2		Dr-20		1
	VT-C5b	194.5	1		Dr-21		1
	SR-A5a	782	1		Dr-22		1
	Dr-A5c	19.5	1		Dr-23		1
	VT-C11	1217	4		Dr-25	M5x45	1
	DO-C11	1957	4		Dr-25a	M5x60	2
	AT-7	29.5	8		Dr-26	ST4x12	3
	RA-A6a	38	40		Dr-27	ST4.2x25	2
	RA-D6b	1001	4		Dr-24		8
	RA-C6	100	8		Dr-28		8
	VT-C7	1197	1		RA-BM30	ST4x10	8
	AT-8		2		RA-BM31	ST4.2x13	72
	AT-9		2		RA-BM32	M8x60	12
	AT-10		4		RA-BM33	ST5.5x38	16
	Dr-11		2		RA-BM34	ST6x40	3
	Dr-12		2		RA-BM35	Ø6	3
	Dr-13		1		RA-BM36	ST4.8x38	8
	Dr-14		1				
	Dr-15		2				


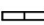



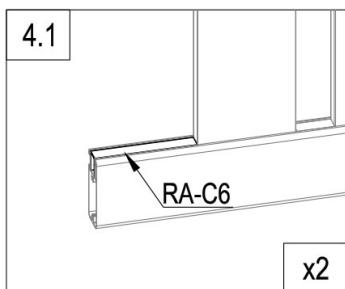
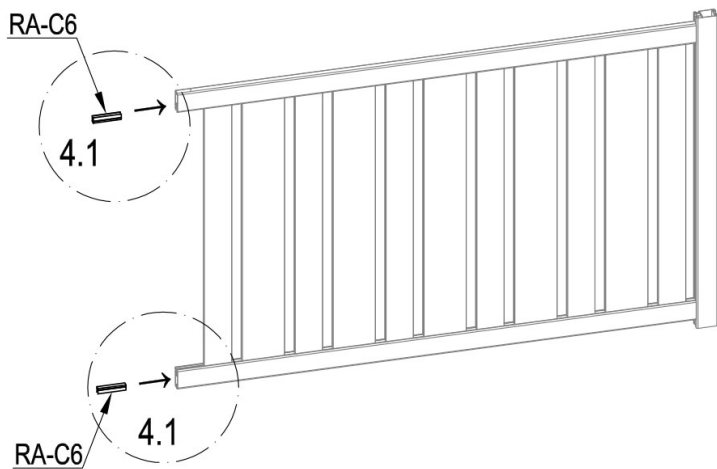
	LR-D1	1
	DO-C3	2
	Dr-28	2
	RA-BM33	4



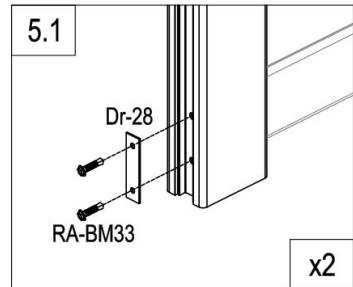
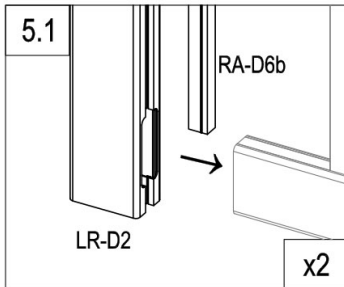
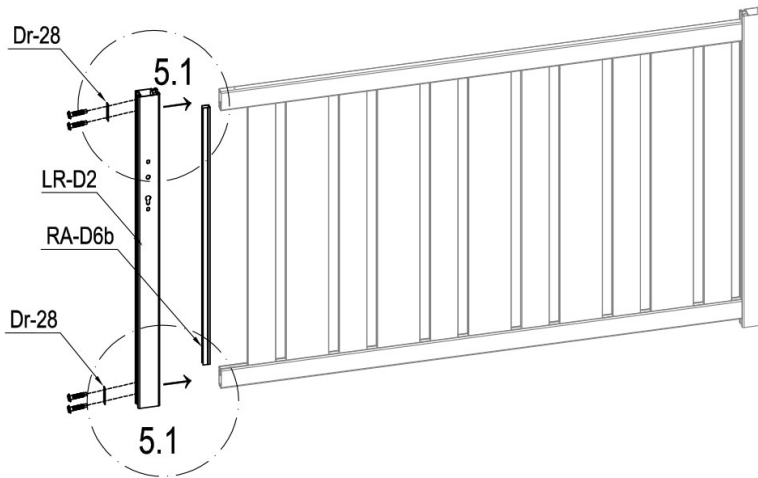
	RA-C6	2
	RA-D6b	1



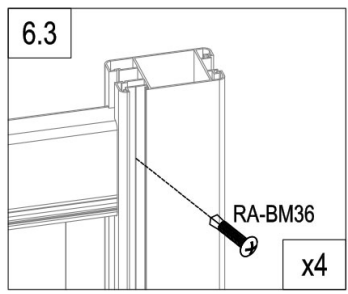
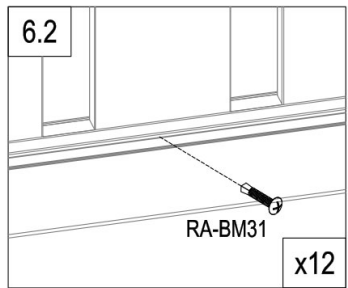
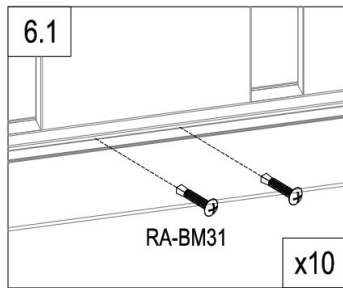
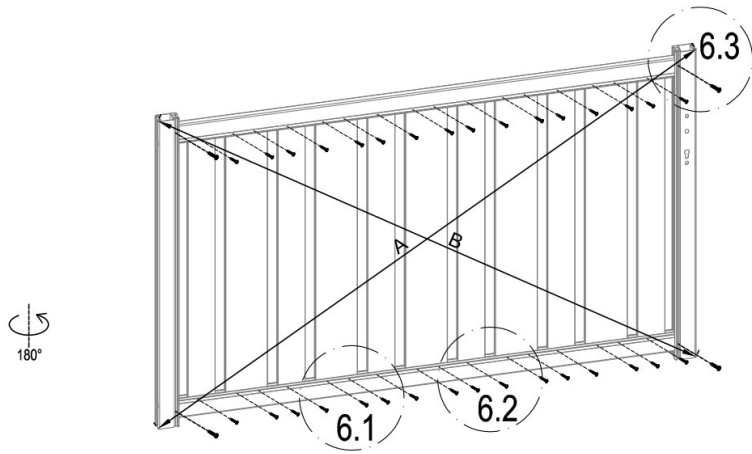
	RA-D4	5
	LR-H4a	6
	RA-A6a	20





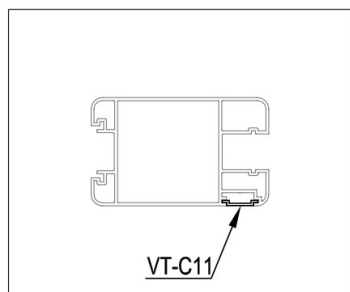
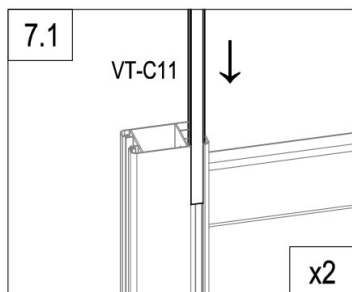
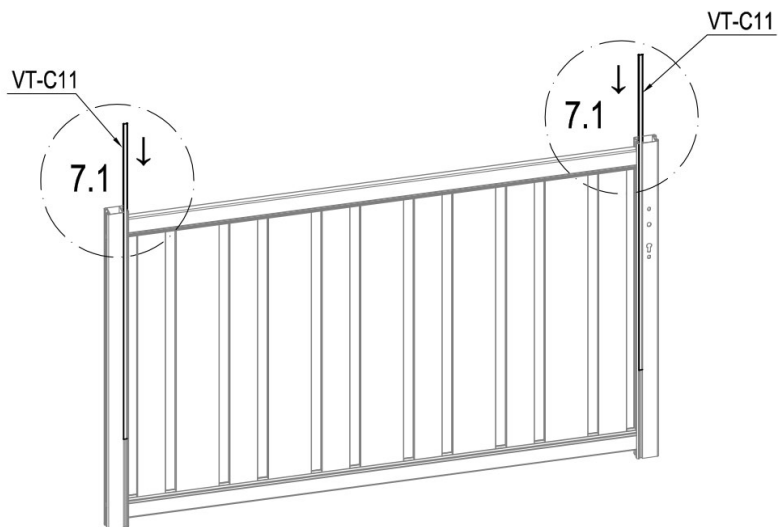
	RA-C6	2
---	-------	---




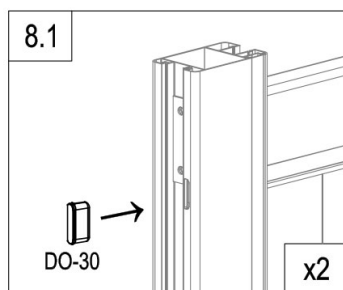
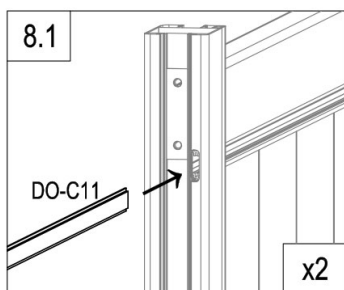
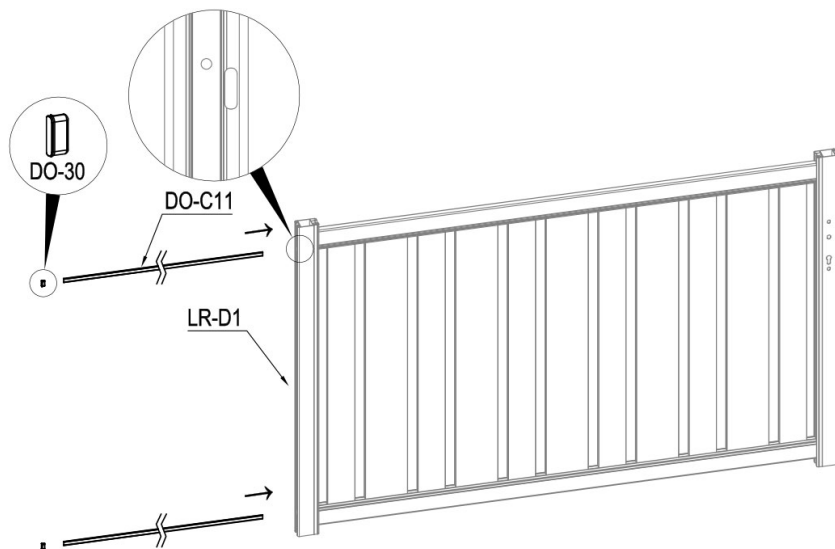
	LR-D2	1
	RA-D6b	1
	Dr-28	2
	RA-BM33	4





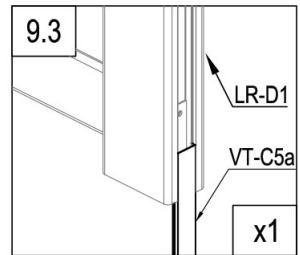
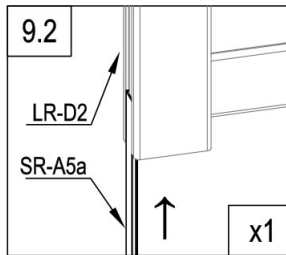
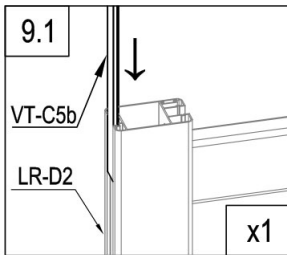
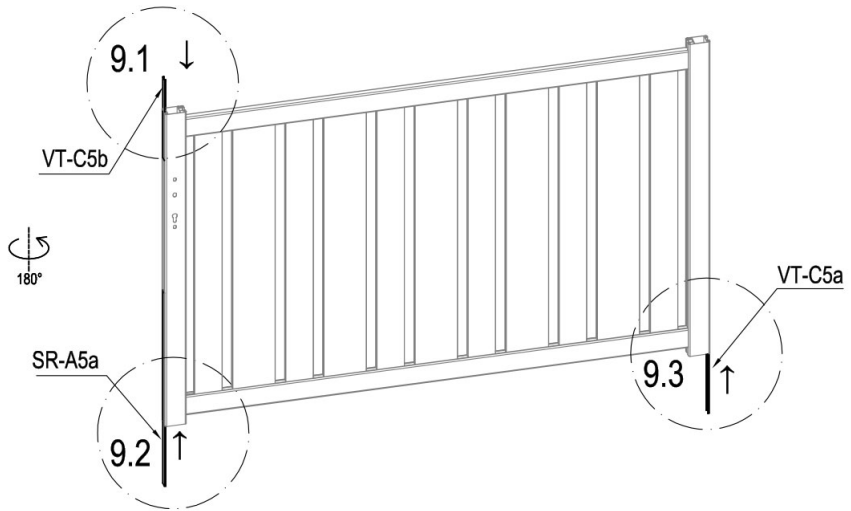
	RA-BM31	32
	RA-BM36	4




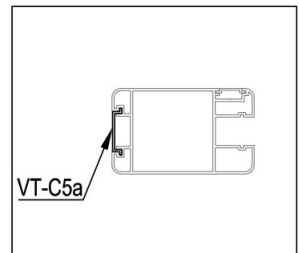
	VT-C11	2
---	--------	---

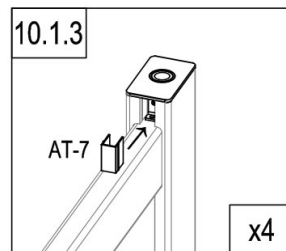
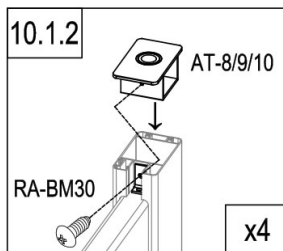
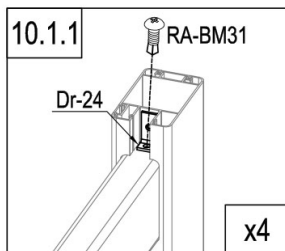
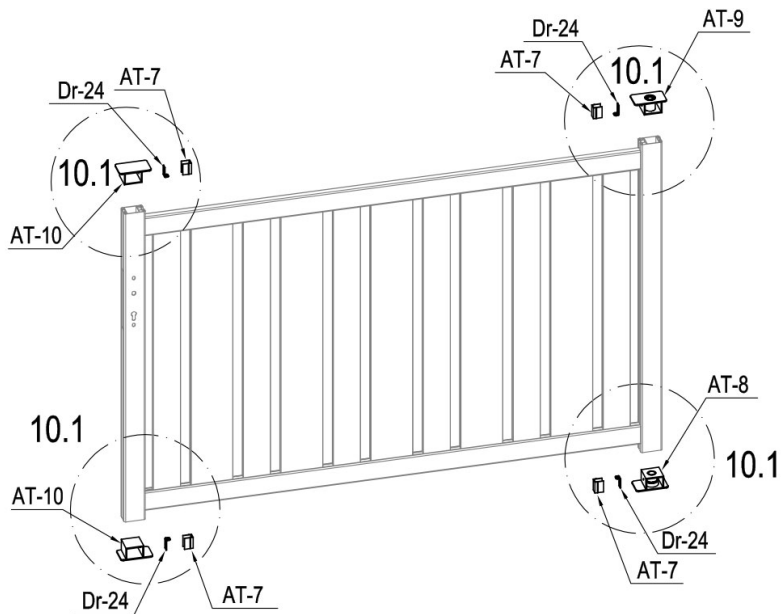


	DO-C11	2
	DO-30	2



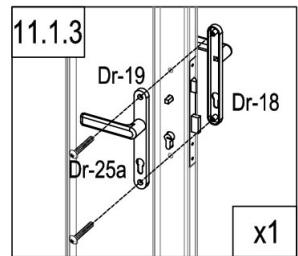
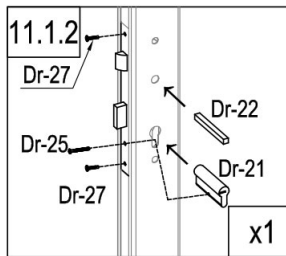
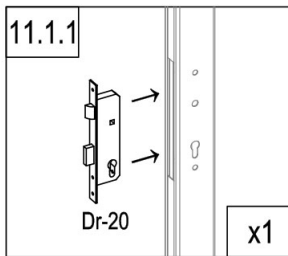
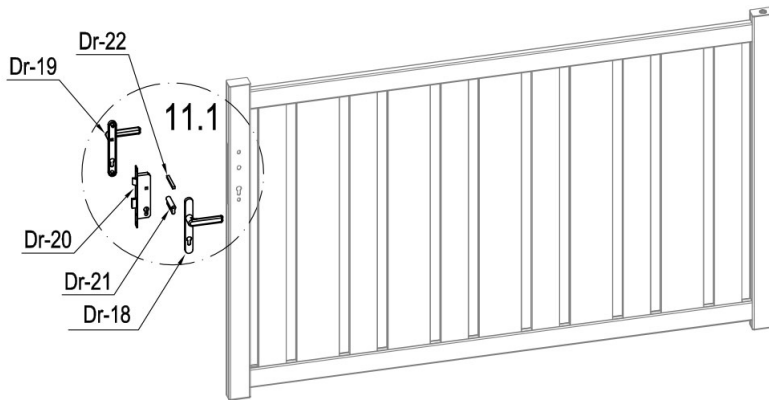
	VT-C5a	1
	VT-C5b	1
	SR-A5a	1













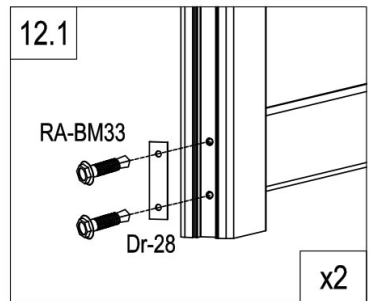
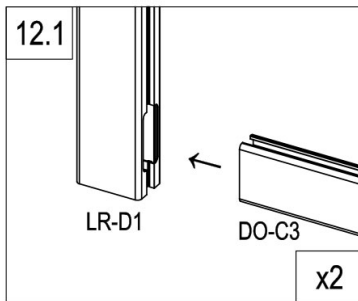
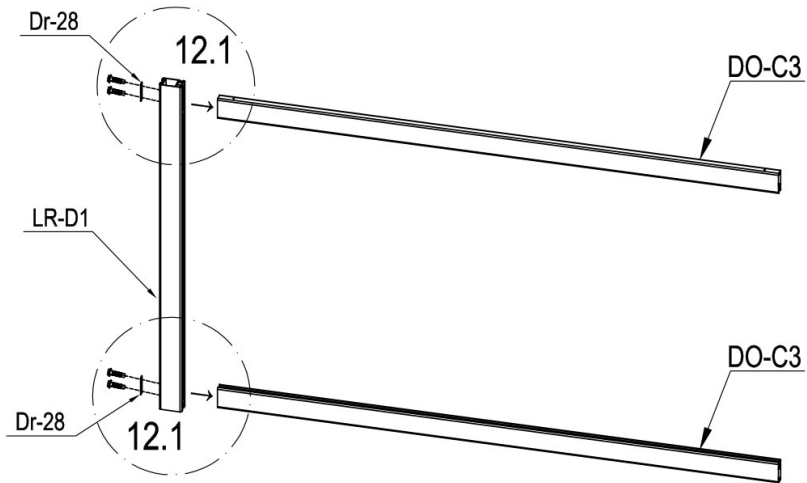
	AT-8	1
	AT-9	1
	AT-10	2
	Dr-24	4

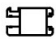
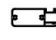


	AT-7	4
	RA-BM30	4
	RA-BM31	4

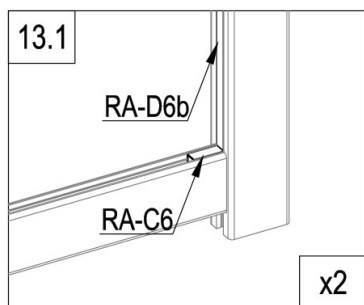
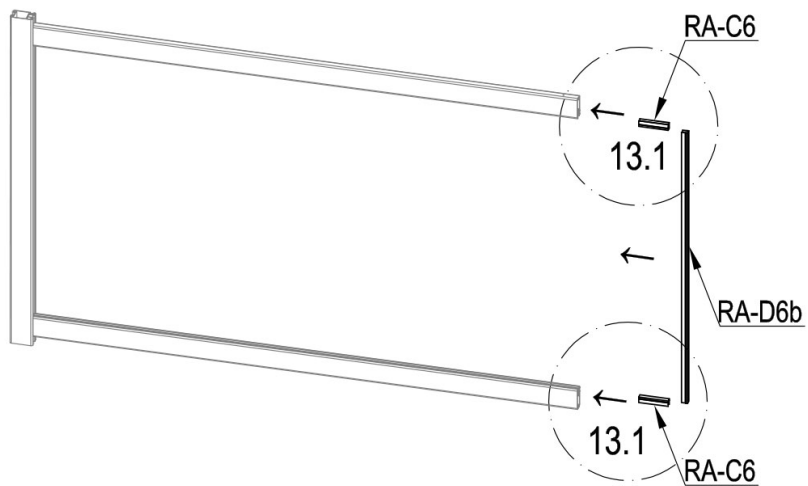



	Dr-20	1
	Dr-21	1
	Dr-22	1
	Dr-25	1

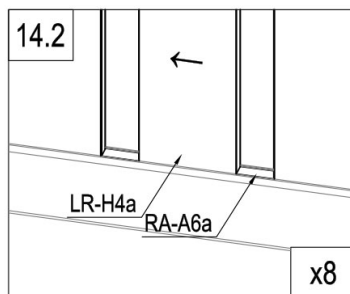
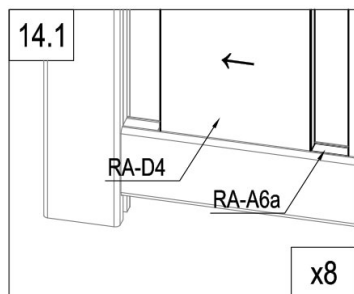
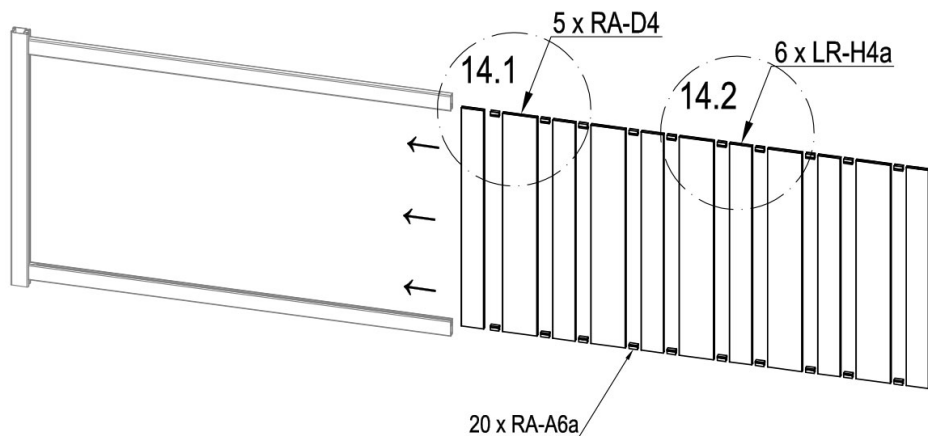
	Dr-18	1
	Dr-19	1
	Dr-25a	2
	Dr-27	2

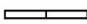
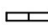



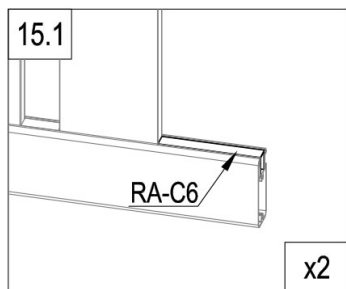
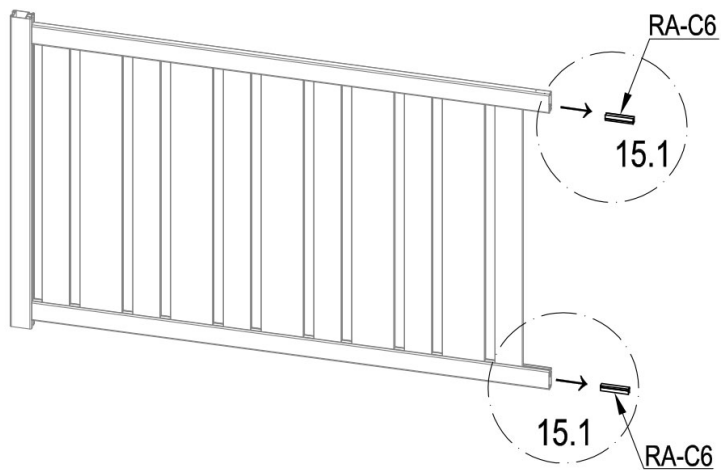
	LR-D1	1
	DO-C3	2
	Dr-28	2
	RA-BM33	4



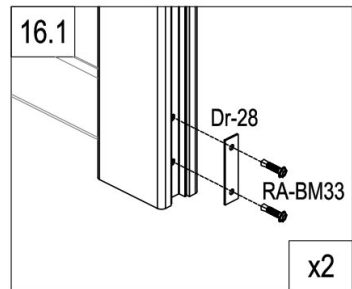
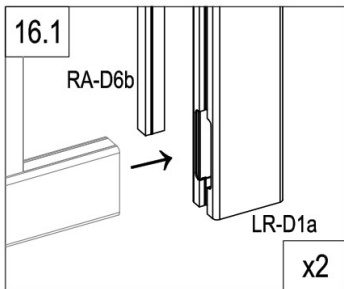
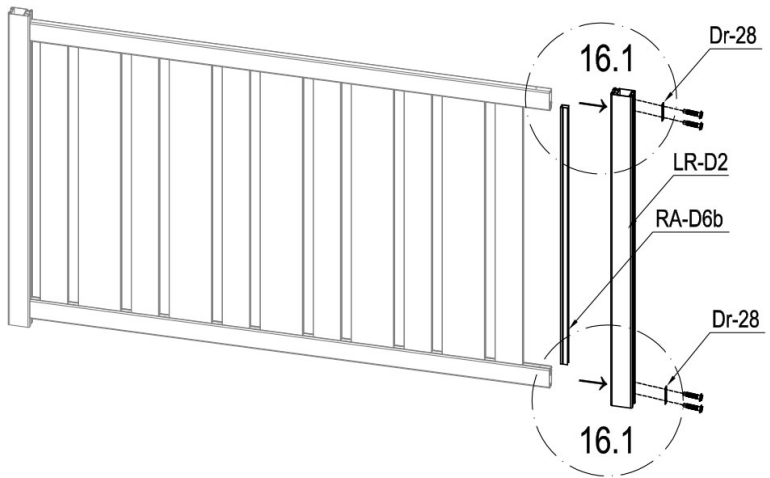
	RA-C6	2
	RA-D6b	1

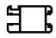





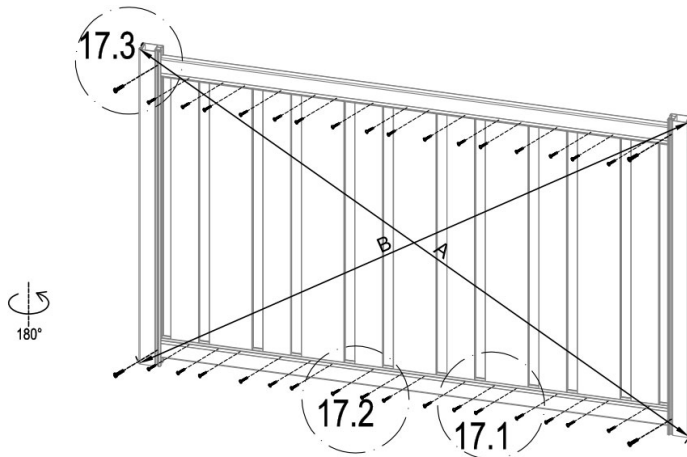
	RA-D4	4
	LR-H4a	4
	RA-A6a	14



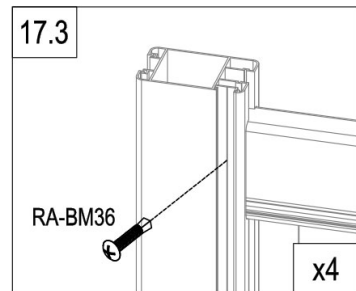
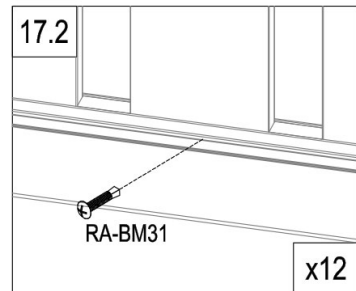
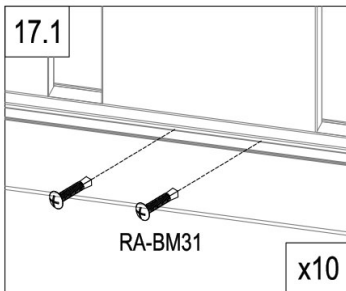
	RA-C6	2
---	-------	---





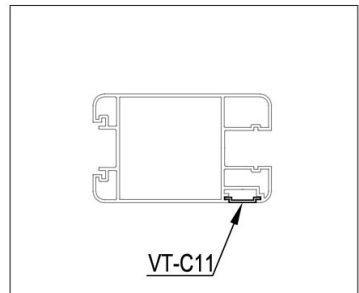
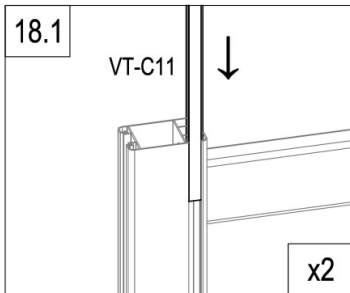
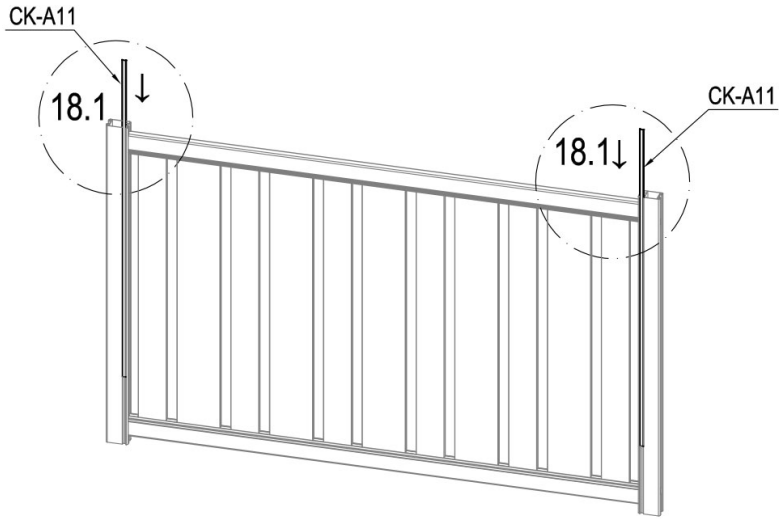
	LR-D1a	1
	RA-D6b	1
	Dr-28	2
	RA-BM33	4



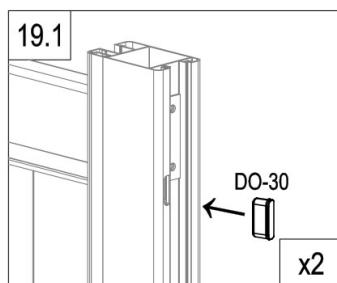
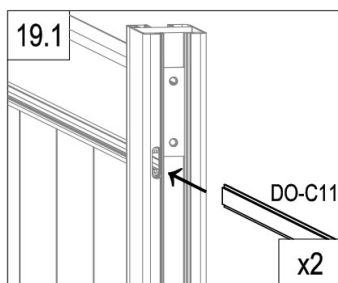
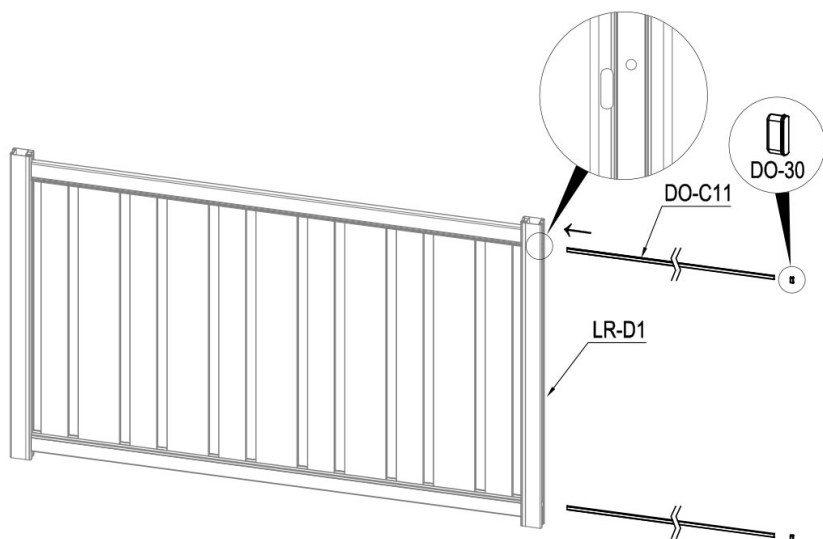
A=B





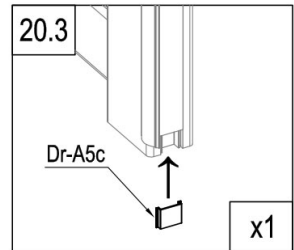
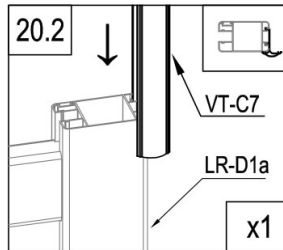
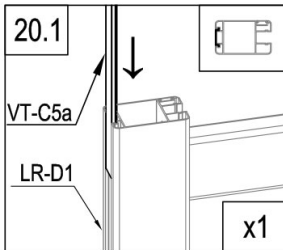
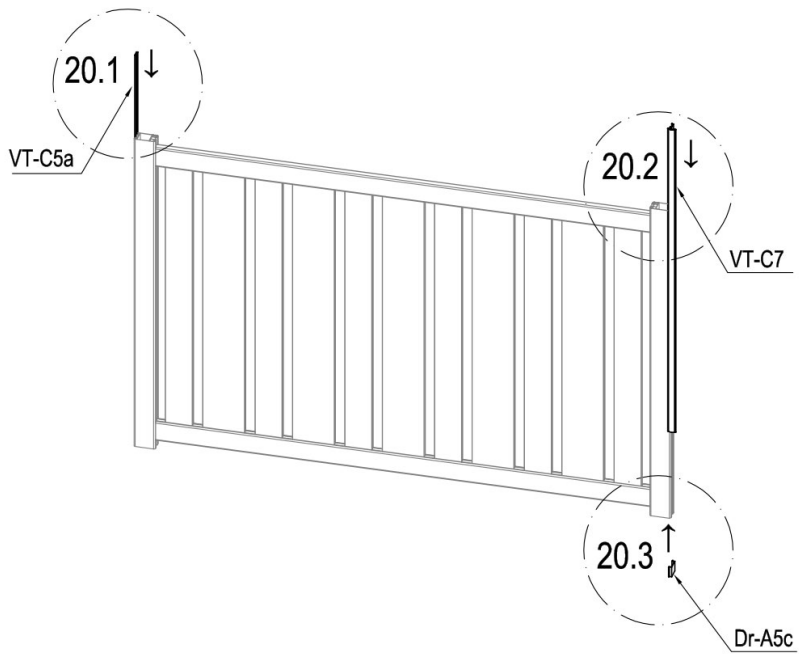
	RA-BM31	28
	RA-BM36	4


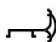


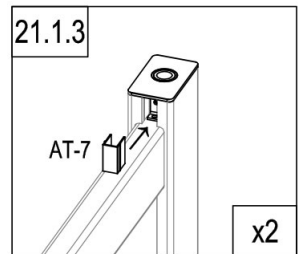
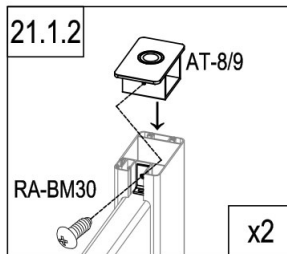
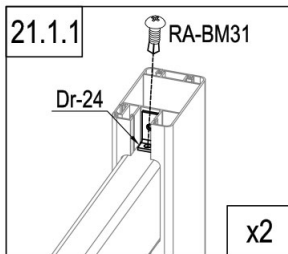
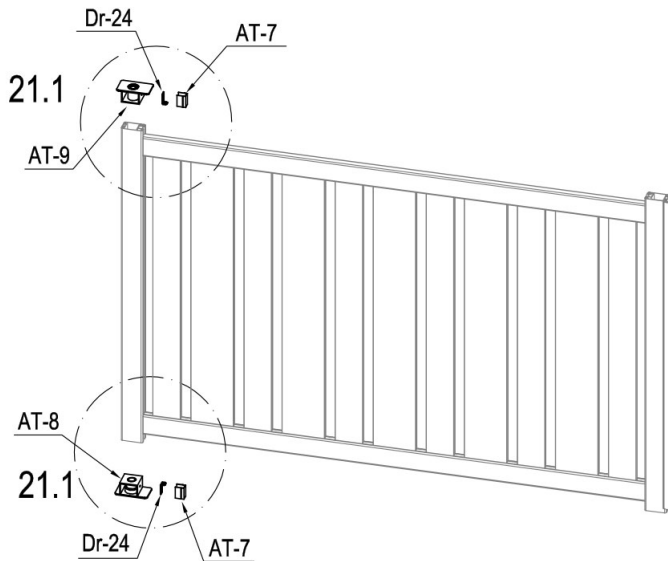
	VT-C11	2
---	--------	---



	DO-C11	2
	DO-30	2

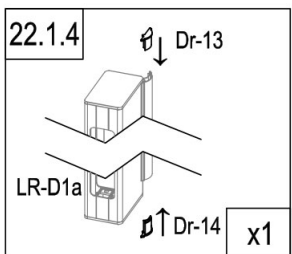
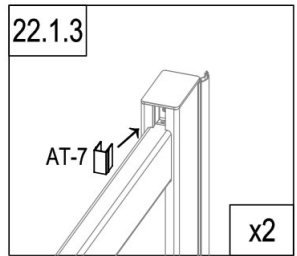
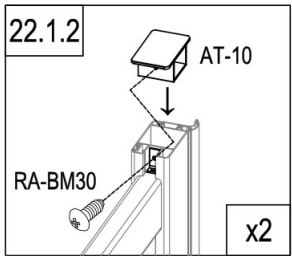
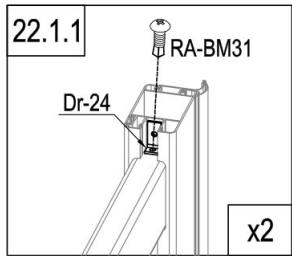
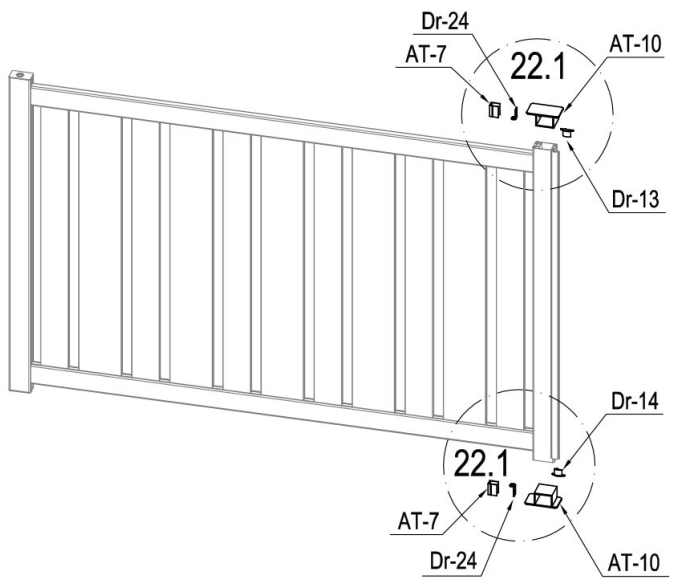


	VT-C5a	1
	Dr-A5c	1
	VT-C7	1



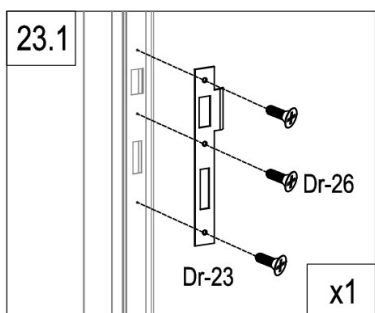
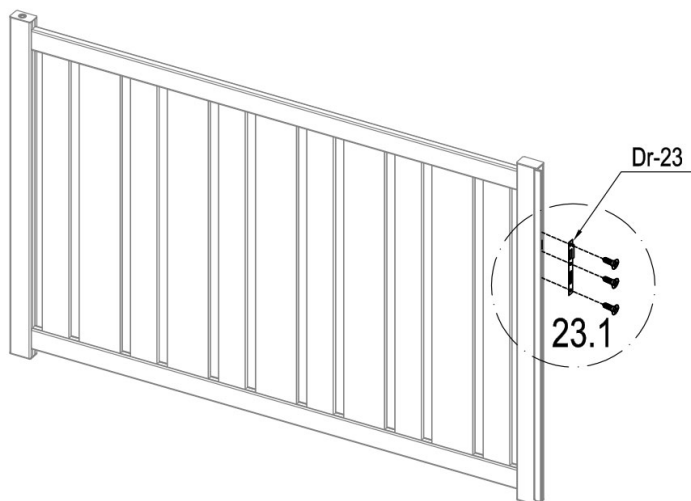
	AT-8	1
	AT-9	1
	Dr-24	2



	AT-7	2
	RA-BM30	2
	RA-BM31	2

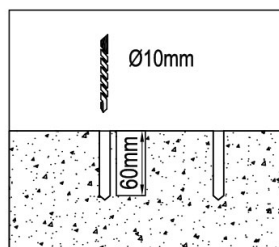
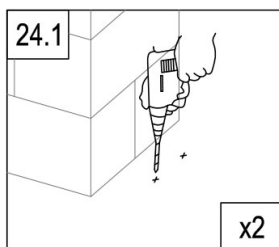
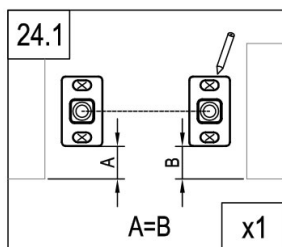
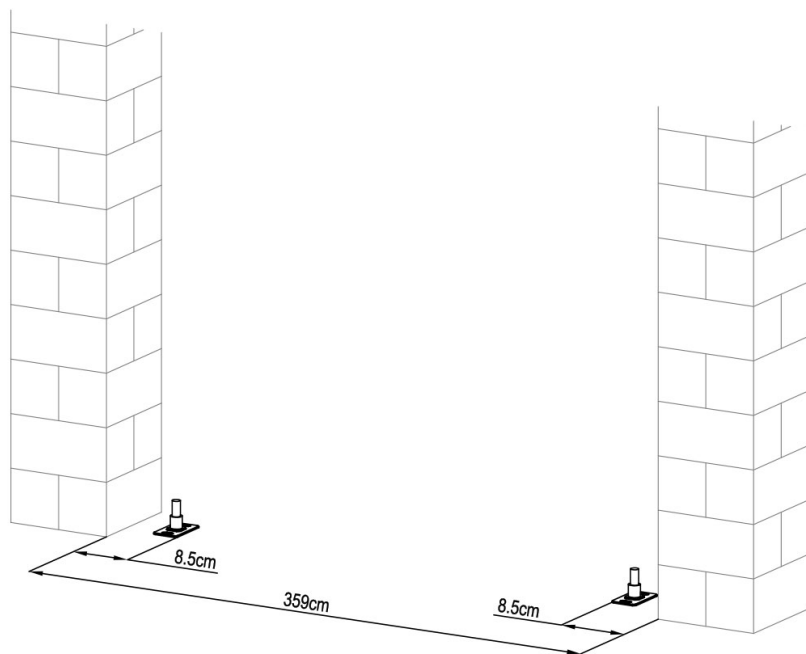




	AT-10	2
	Dr-24	2
	AT-7	2
	Dr-13	1

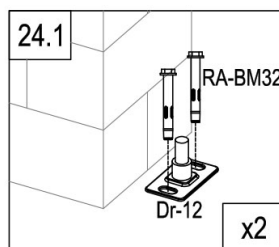
	Dr-14	1
	RA-BM30	2
	RA-BM31	2

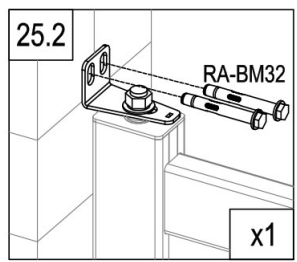
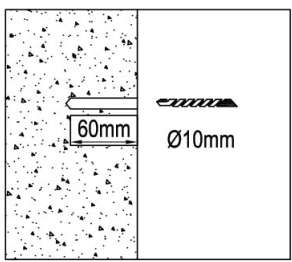
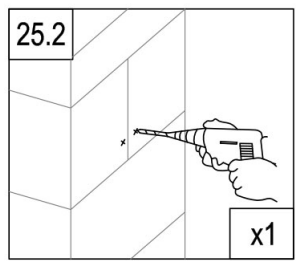
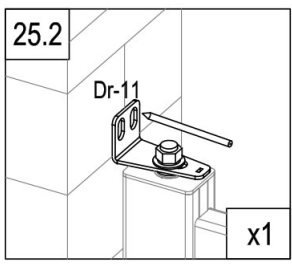
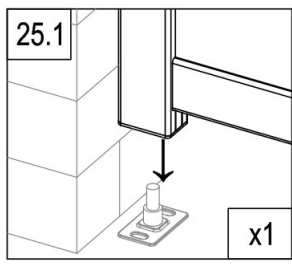
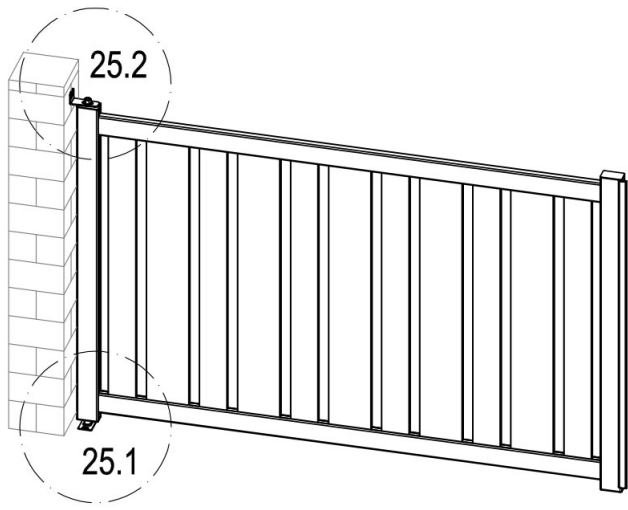




	Dr-23	1
	Dr-26	3

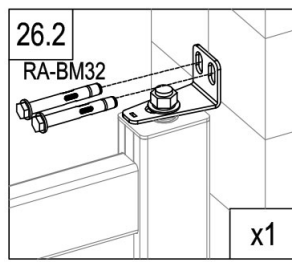
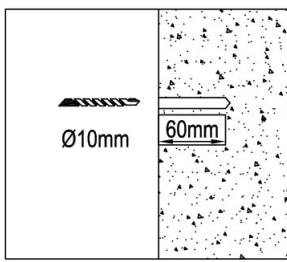
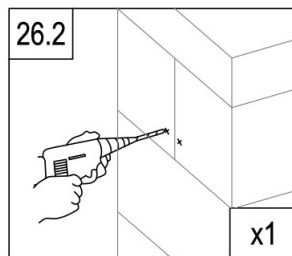
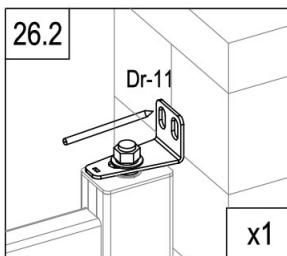
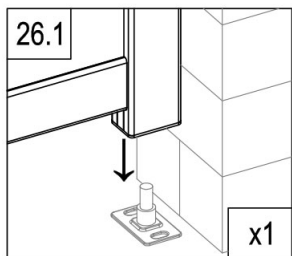
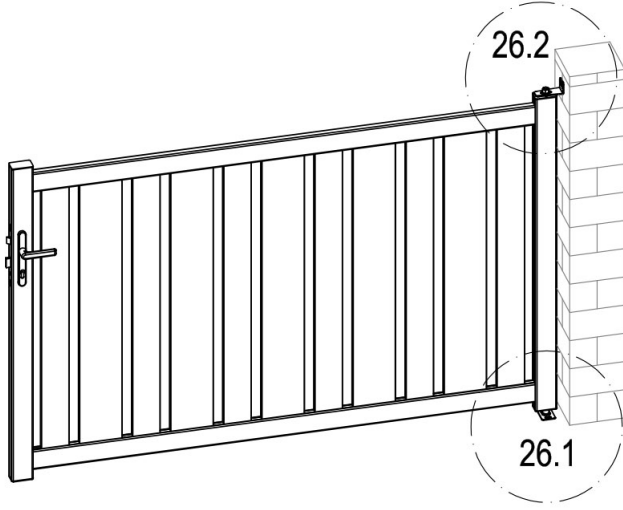




	Dr-12	2
	RA-BM32	4

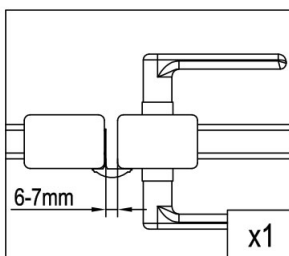
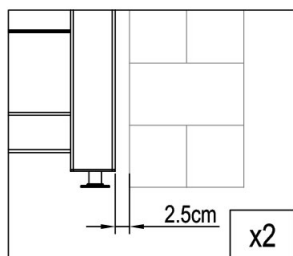
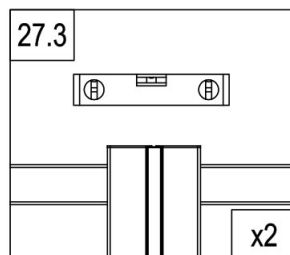
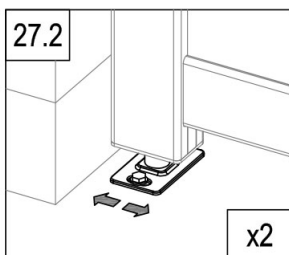
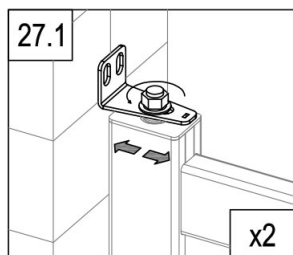
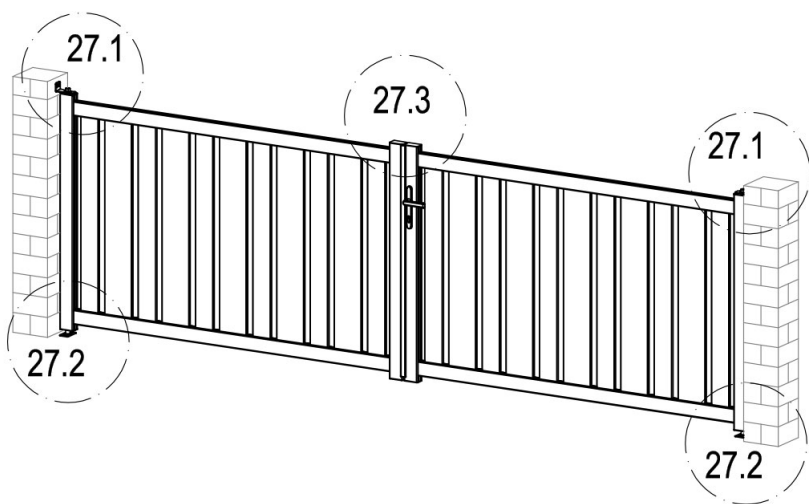


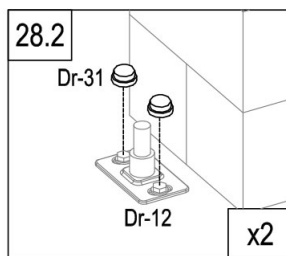
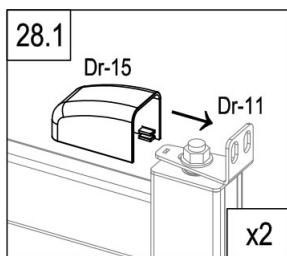
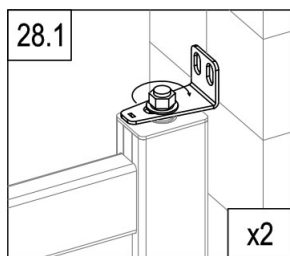
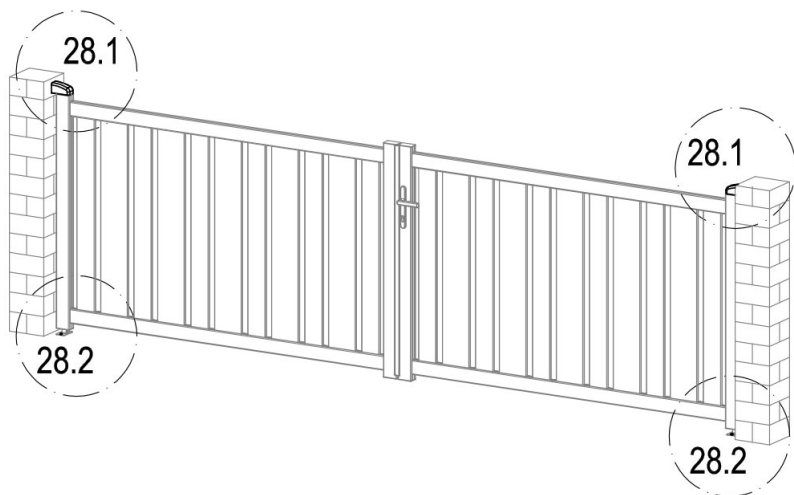




	Dr-11	1
	RA-BM32	2

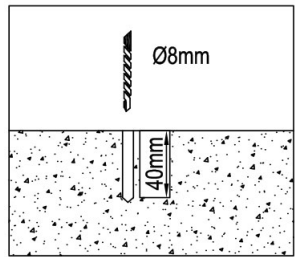
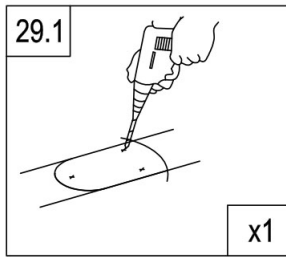
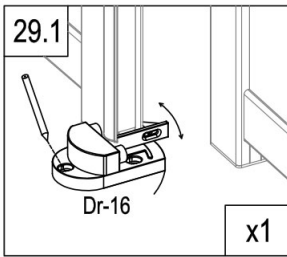
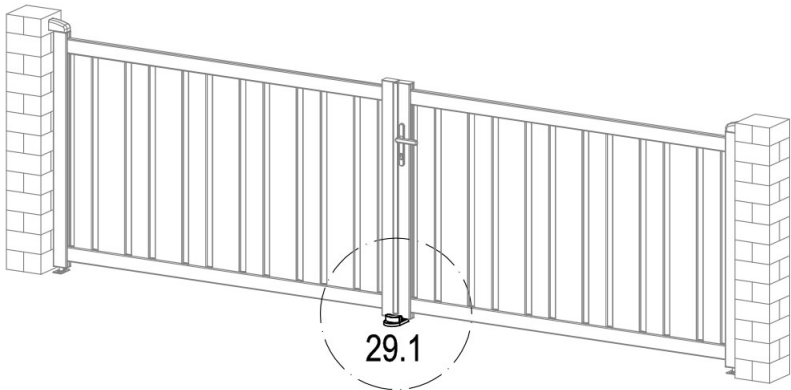



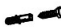

	Dr-11	1
	RA-BM32	2

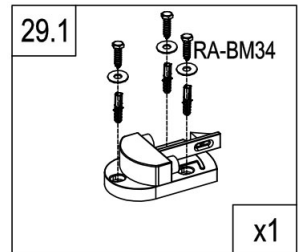


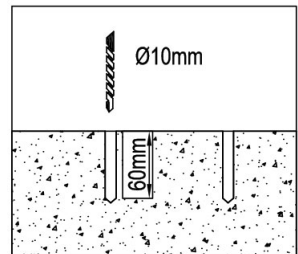
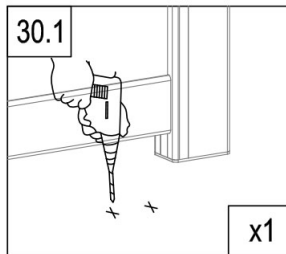
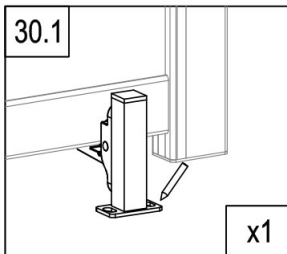
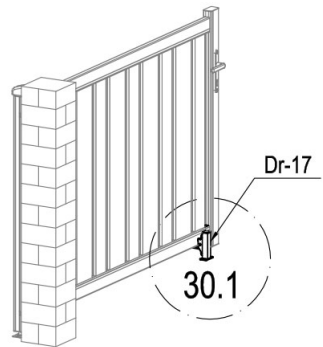
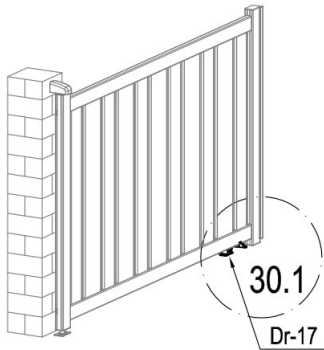




	Dr-15	2
	Dr-31	4



	Dr-16	1
	RA-BM34	3
	RA-BM35	3





	RA-BM32	4
	Dr-17	2

