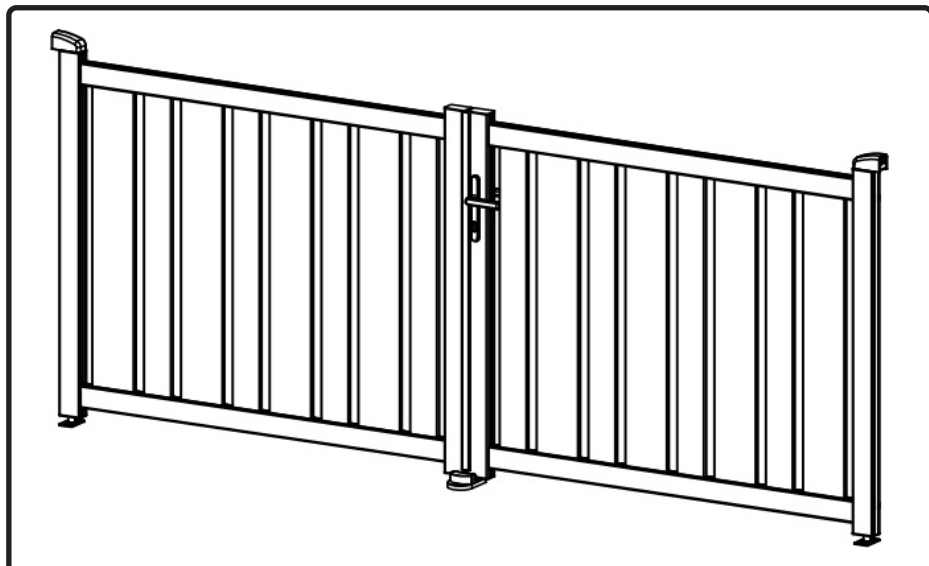


# CASANOVO

## VEYMONT 300B120



COM-000820 [x1]

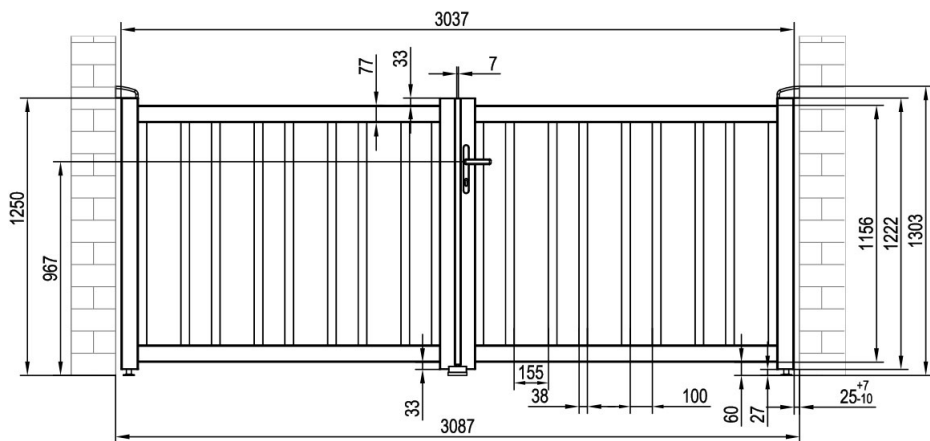
COM-000821 [x1]

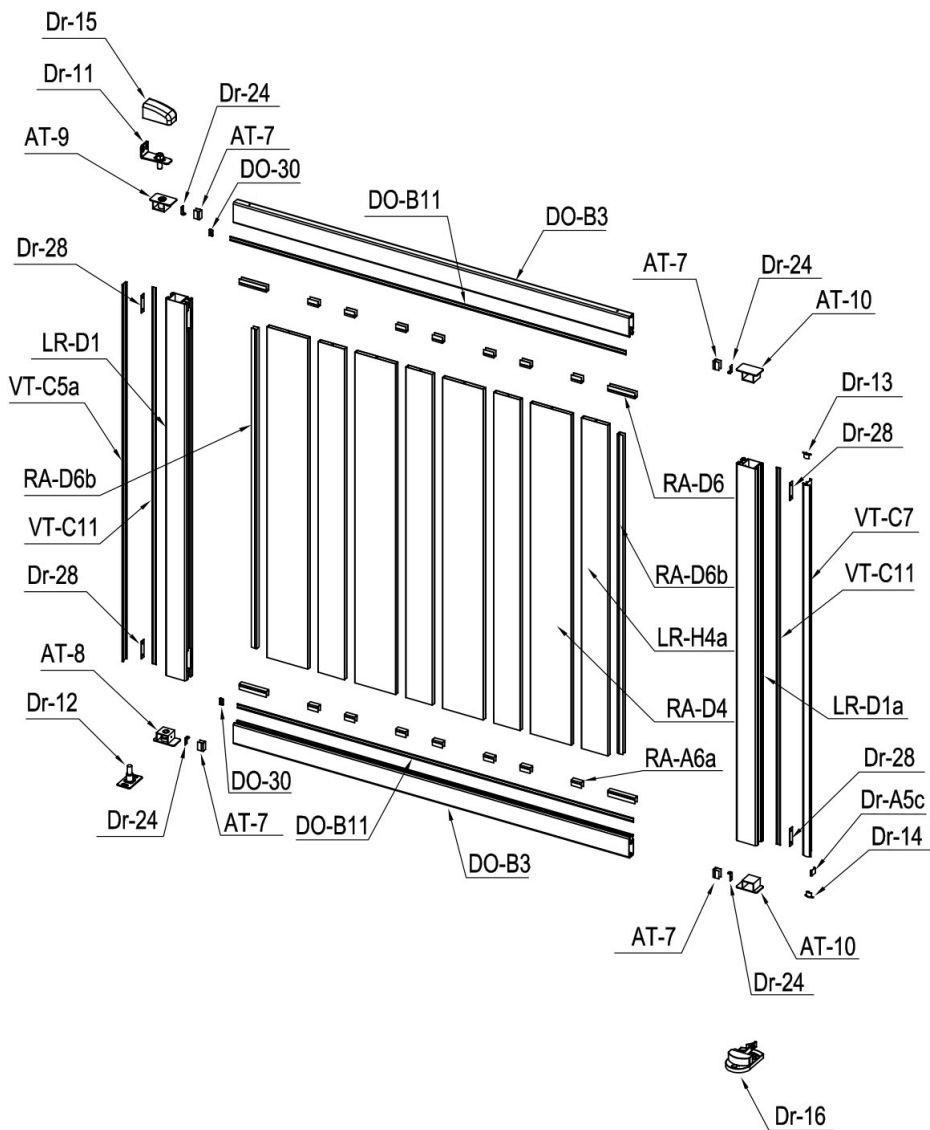


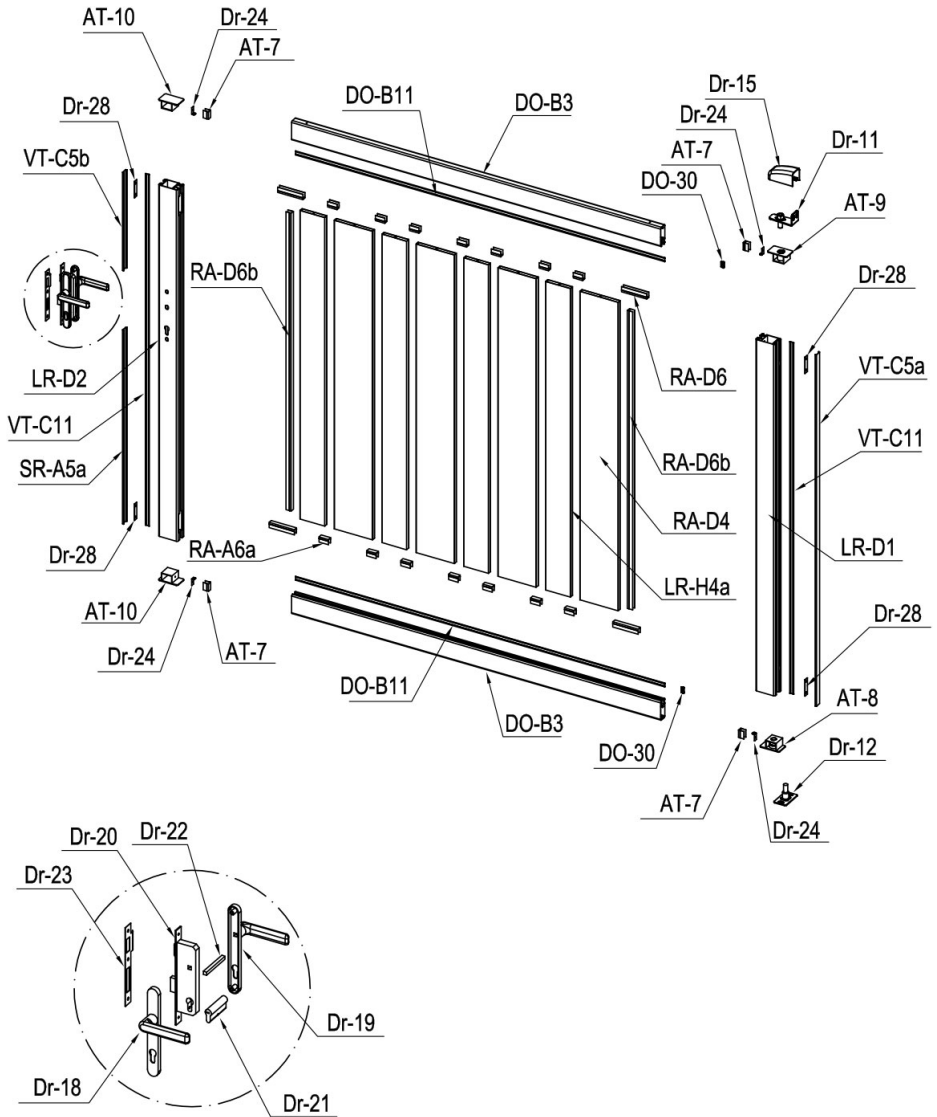
EN FR DE ES PT IT NL PL FI SE DK  
RO SI SK HU CZ HR GR LT LV



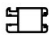



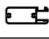





























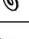


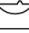

INSTRUCTION MANUAL / NOTICE DE MONTAGE / MONTAGEANLEITUNG / MANUAL DE MONTAJE / MANUAL DE MONTAGEM / MANUALE DI MONTAGGIO /  
MONTAGEHANDLEIDING / INSTRUKCJA MONTAŻU / KÄYTTÖOHJEET / BRUKSANVISNING / BRUGSANVISNING / INSTRUCȚIUNI DE ASAMBLARE /  
NAVODILA ZA SESTAVLJANJE / NÁVOD NA MONTÁŽ / ÖSSZESZERELÉSI ÚTMUTATÓ / NÁVOD K MONTÁŽI / UPUTE ZA INSTALACIJU /  
ΟΔΗΓΙΕΣ ΣΥΝΑΡΜΟΛΟΓΗΣΗΣ / SURINKIMO INSTRUKCIJOS / MONTĀŽAS INSTRUKCIJAS

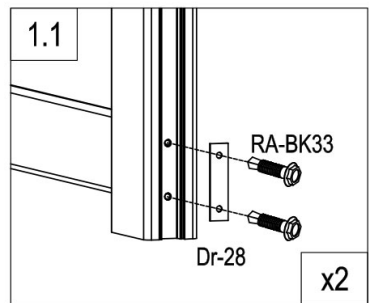
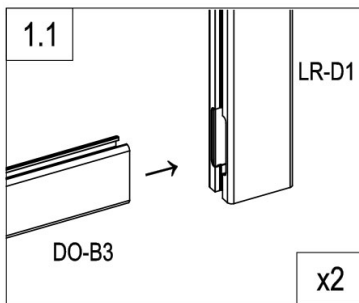
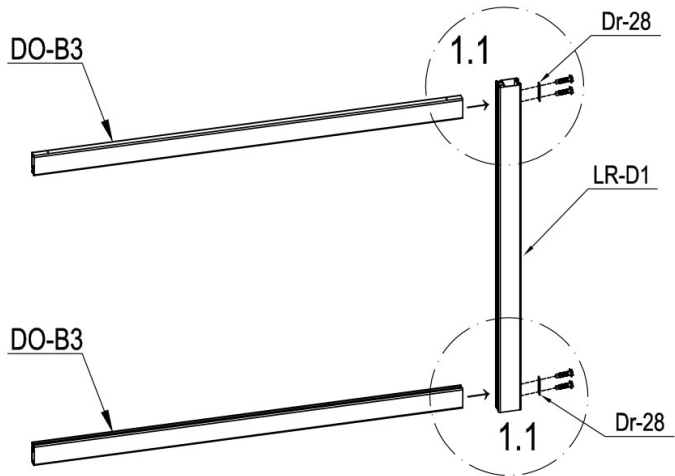


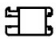
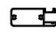




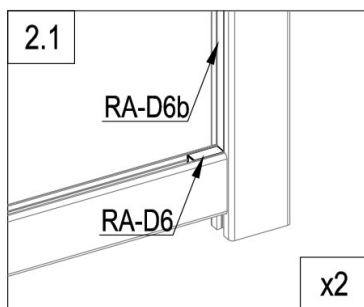
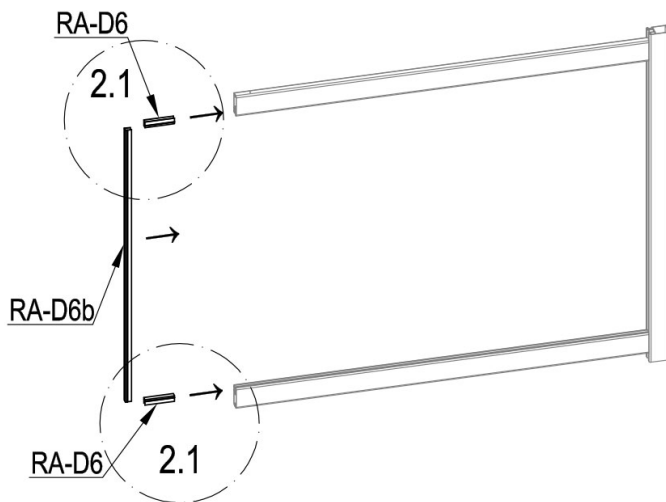



## PART LIST

IMAGE	NO.	L.(mm)	QTY	IMAGE	NO.	L.(mm)	QTY
	LR-D1	1217	2		Dr-16		1
	LR-D1a	1217	1		Dr-17		2
	LR-D2	1217	1		Dr-31		4
	DO-B3	1492	4		DO-30		4
	RA-D4	1044	8		Dr-18		1
	LR-H4a	1044	8		Dr-19		1
	VT-C5a	1217	2		Dr-20		1
	VT-C5b	194.5	1		Dr-21		1
	SR-A5a	782	1		Dr-22		1
	Dr-A5c	19.5	1		Dr-23		1
	VT-C11	1217	4		Dr-25	M5x45	1
	DO-B11	1492	4		Dr-25a	M5x60	2
	AT-7	29.5	8		Dr-26	ST4x12	3
	RA-A6a	38	28		Dr-27	ST4.2x25	2
	RA-D6b	1001	4		Dr-24		8
	RA-D6	102	8		Dr-28		8
	VT-C7	1197	1		RA-BK30	ST4x10	8
	AT-8		2		RA-BK31	ST4.2x13	56
	AT-9		2		RA-BK32	M8x60	12
	AT-10		4		RA-BK33	ST5.5x38	16
	Dr-11		2		RA-BK34	ST6x40	3
	Dr-12		2		RA-BK35	Ø6	3
	Dr-13		1		RA-BK36	ST4.8x38	8
	Dr-14		1				
	Dr-15		2				

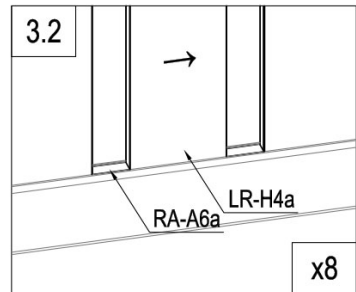
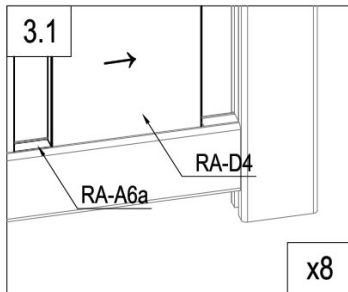
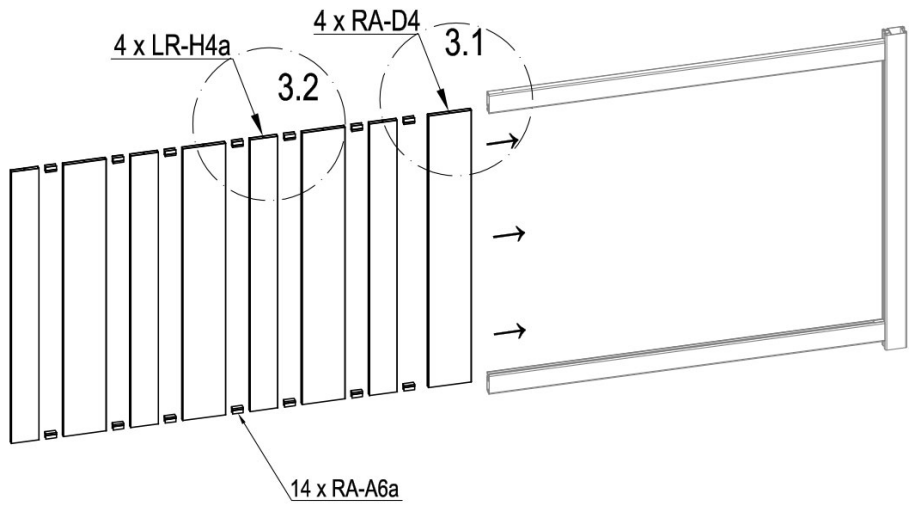


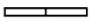


	LR-D1	1
	DO-B3	2
	Dr-28	2
	RA-BK33	4



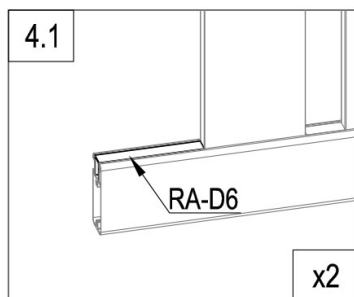
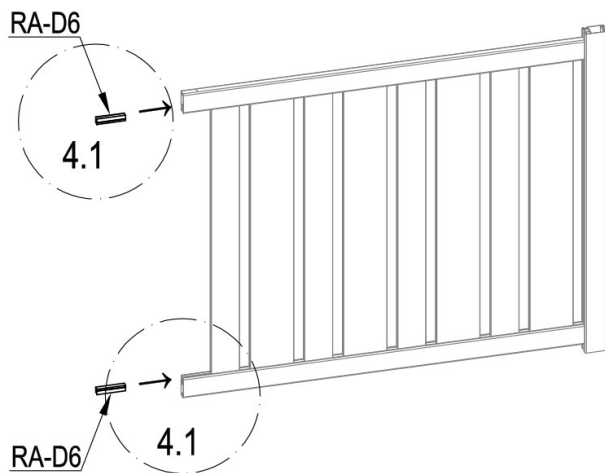
	RA-D6	2
	RA-D6b	1


# CASANOVO

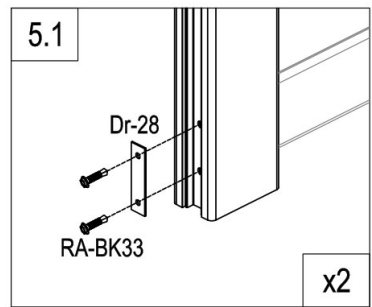
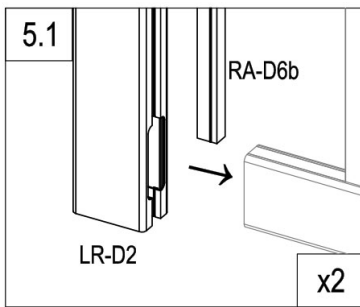
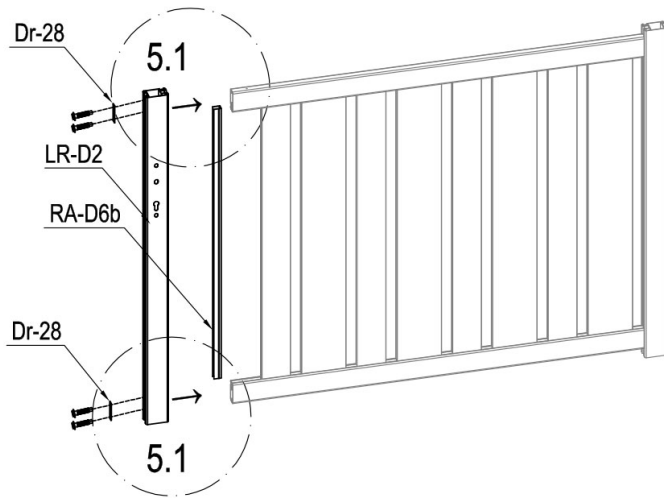


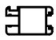



	RA-D4	4
	LR-H4a	4
	RA-A6a	14

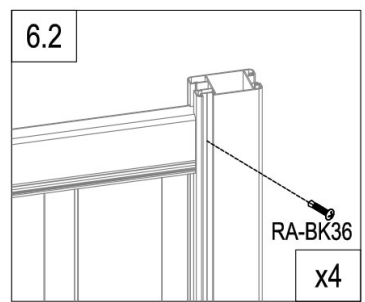
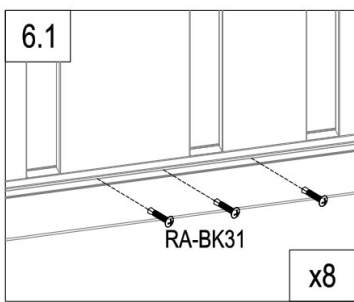
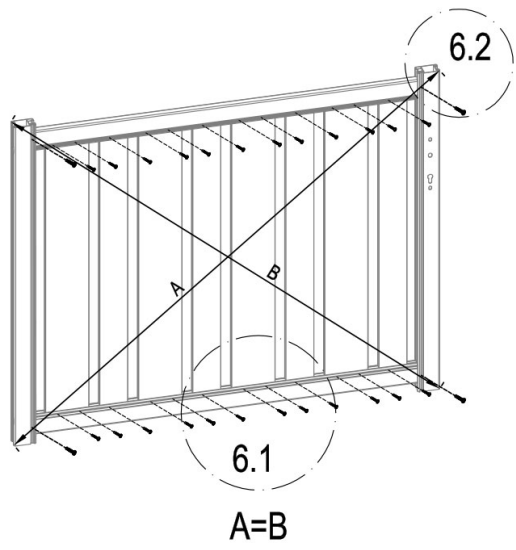




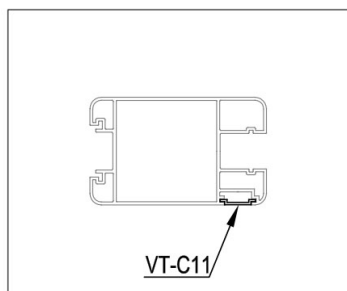
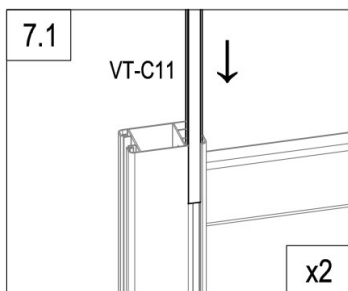
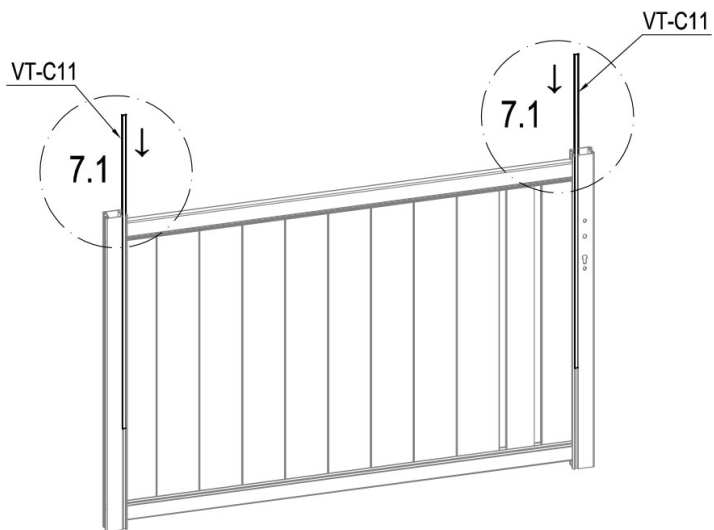
	RA-D6	2
---	-------	---



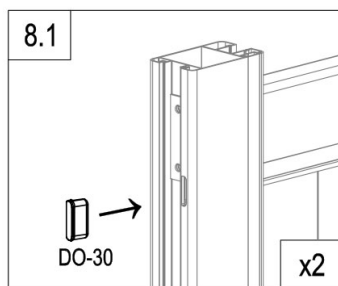
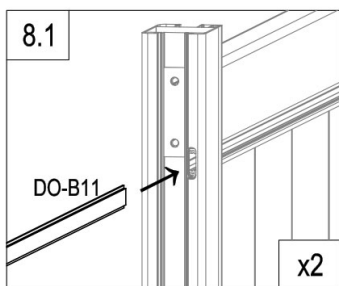
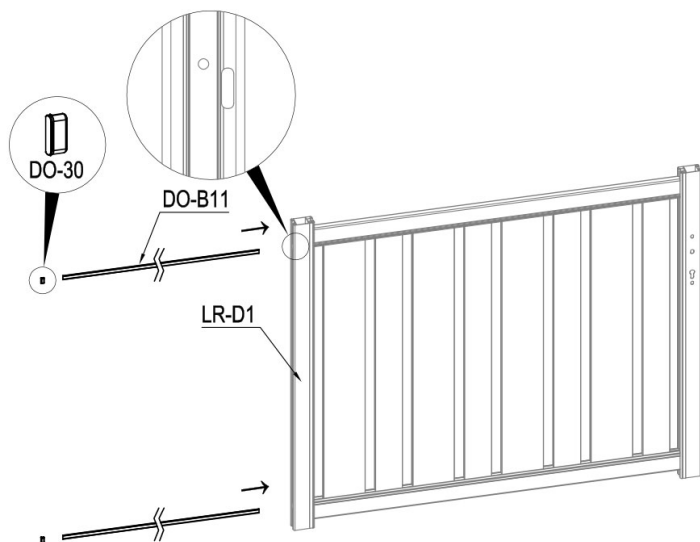
	LR-D2	1
	RA-D6b	1
	Dr-28	2
	RA-BK33	4





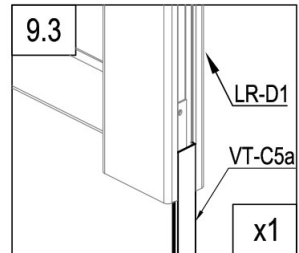
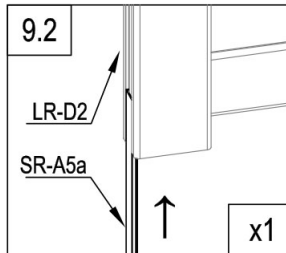
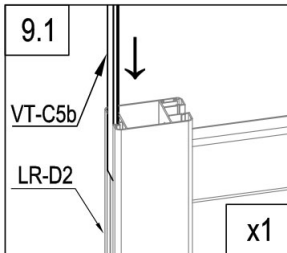
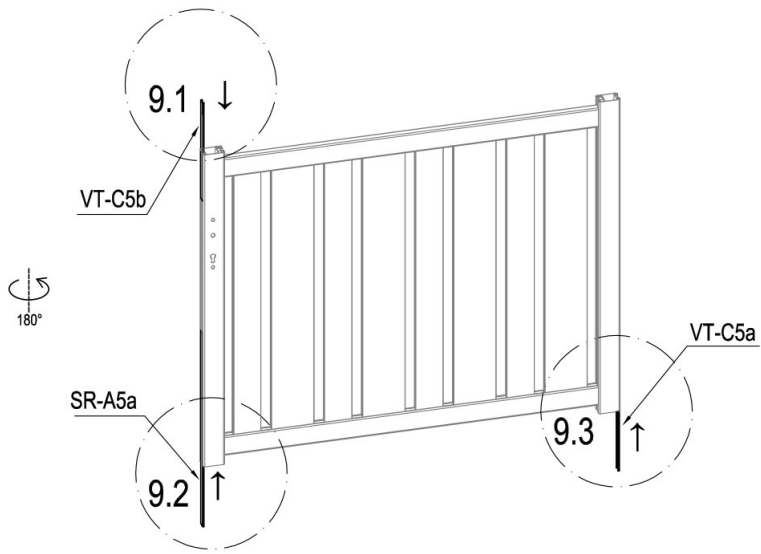
	RA-BK31	24
	RA-BK36	4



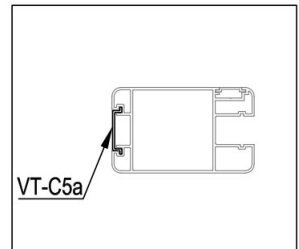
	VT-C11	2
---	--------	---

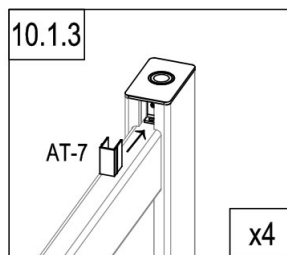
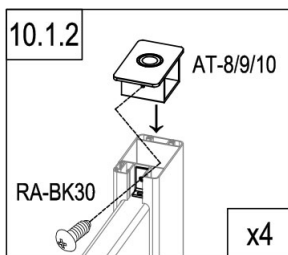
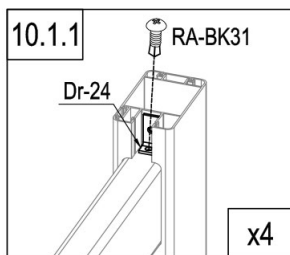
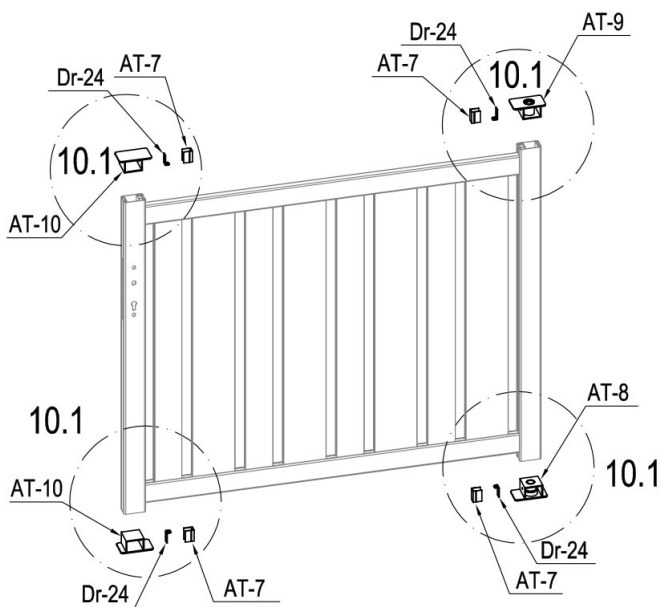


	DO-B11	2
	DO-30	2



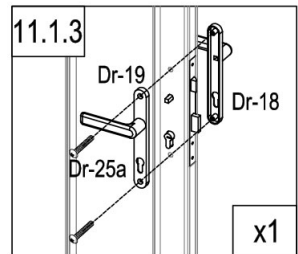
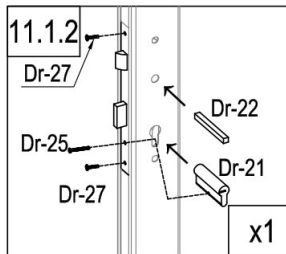
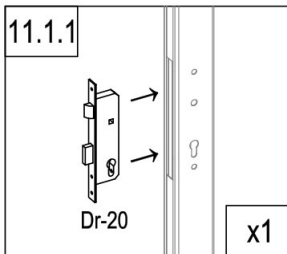
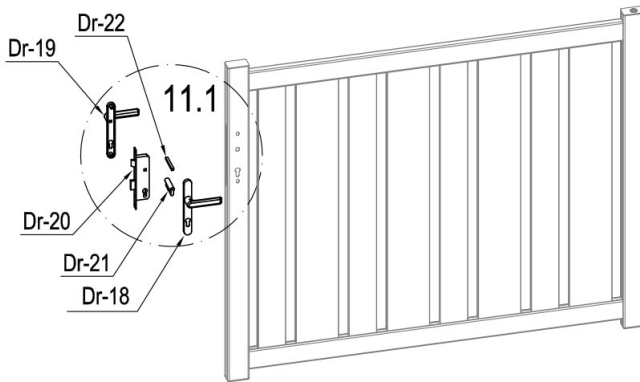
	VT-C5a	1
	VT-C5b	1
	SR-A5a	1













	AT-8	1
	AT-9	1
	AT-10	2
	Dr-24	4

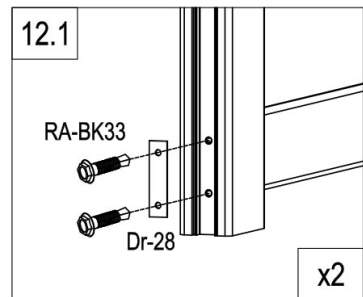
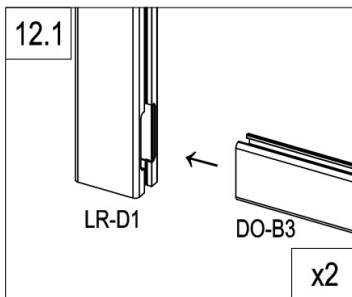
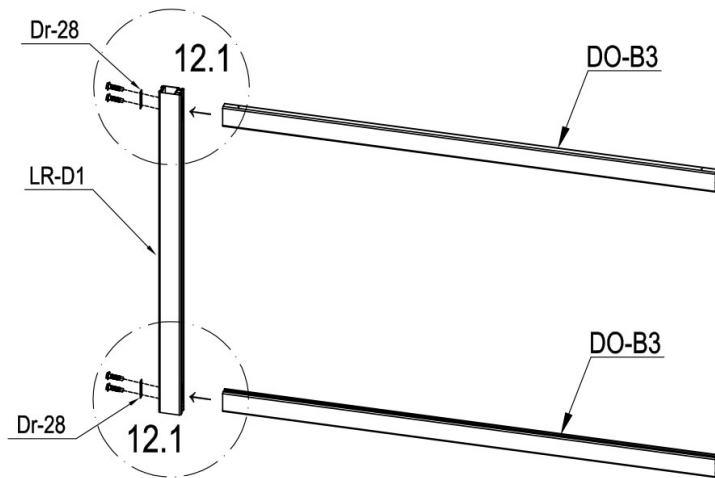
	AT-7	4
	RA-BK30	4
	RA-BK31	4

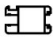
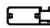




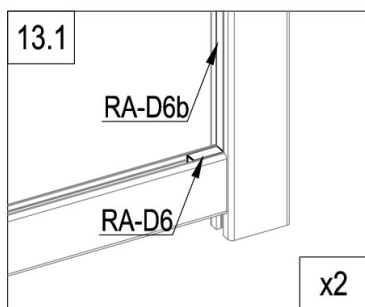
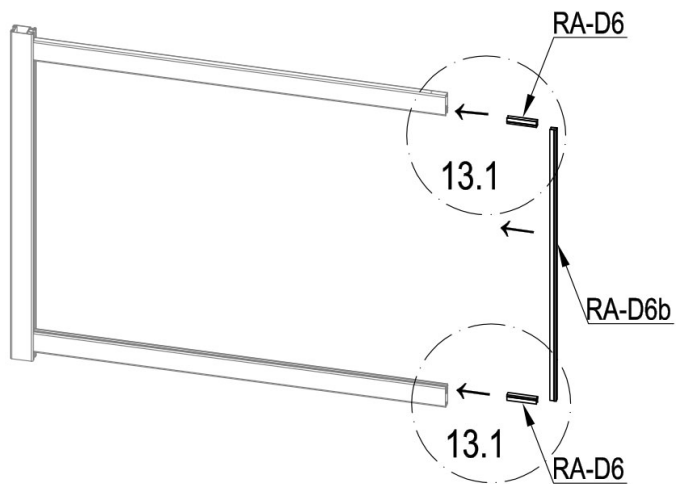
	Dr-20	1
	Dr-21	1
	Dr-22	1
	Dr-25	1


	Dr-18	1
	Dr-19	1
	Dr-25a	2
	Dr-27	2

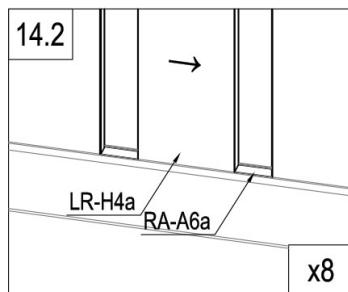
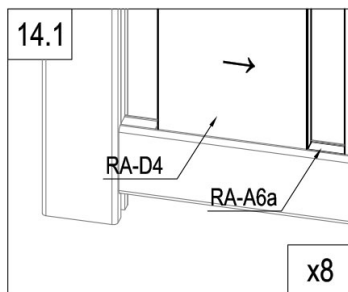
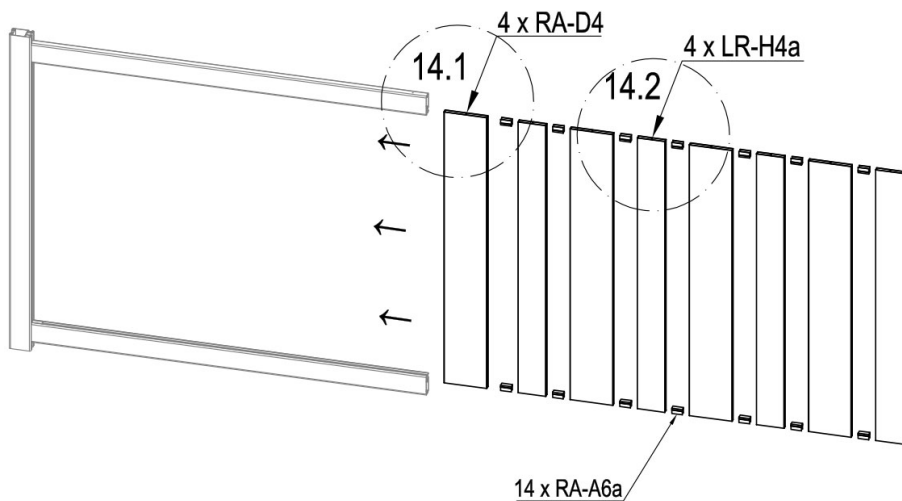



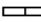



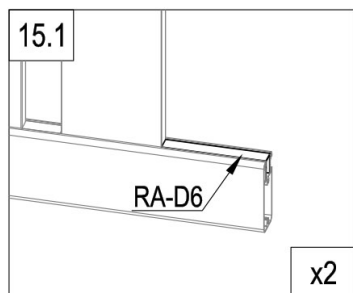
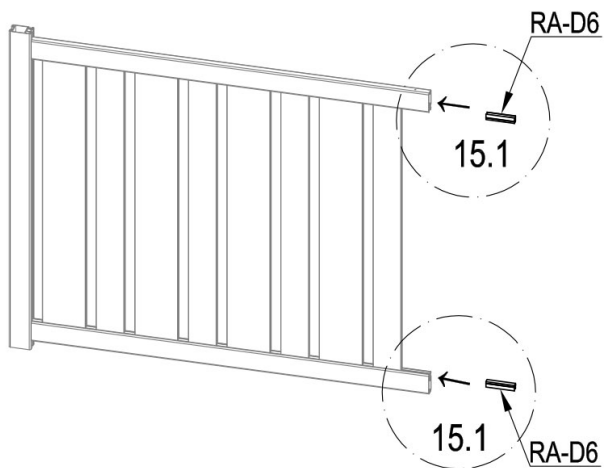
	LR-D1	1
	DO-B3	2
	Dr-28	2
	RA-BK33	4



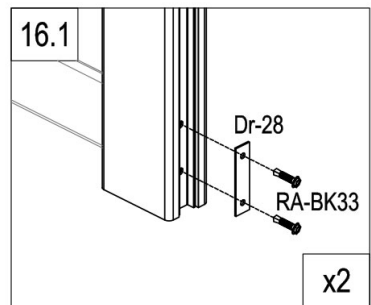
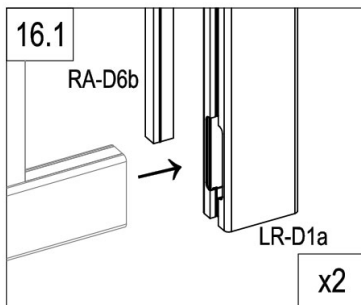
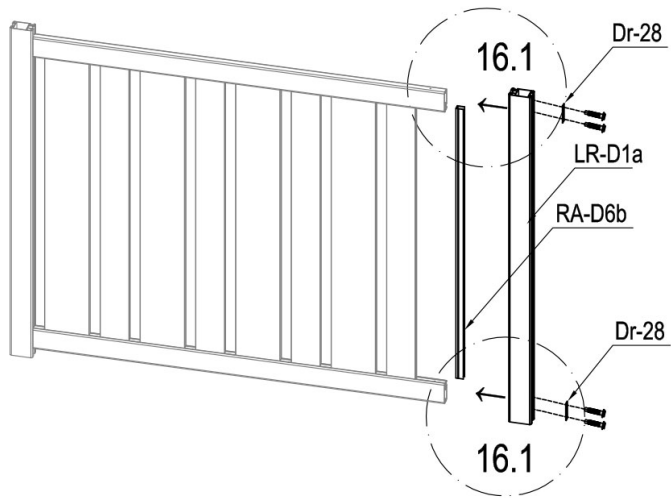
	RA-D6	2
	RA-D6b	1

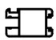





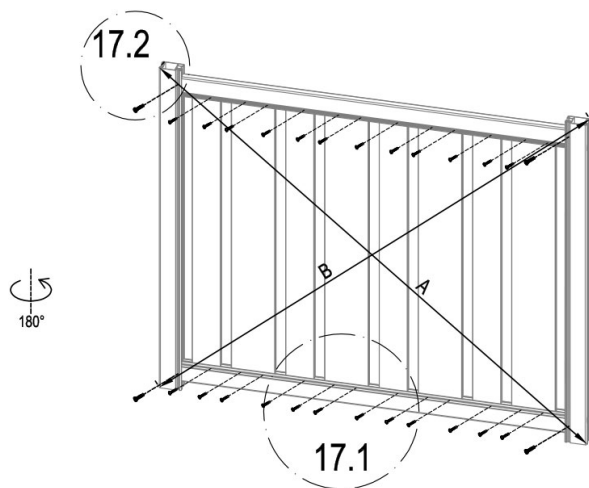
	RA-D4	4
	LR-H4a	4
	RA-A6a	14



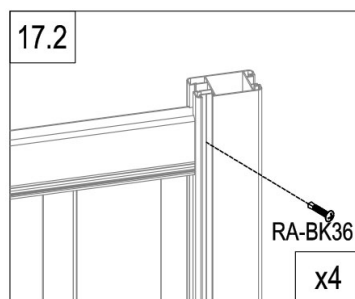
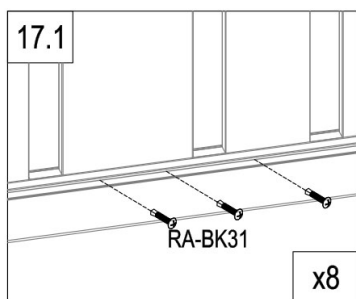
	RA-D6	2
---	-------	---





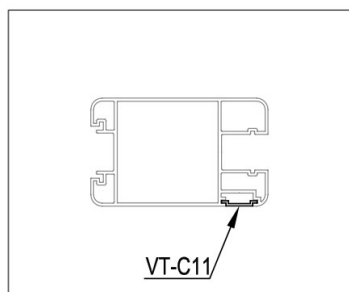
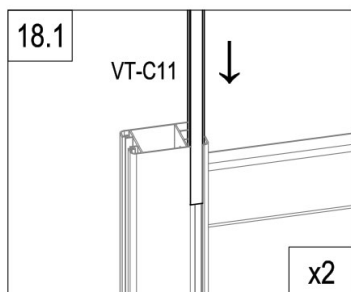
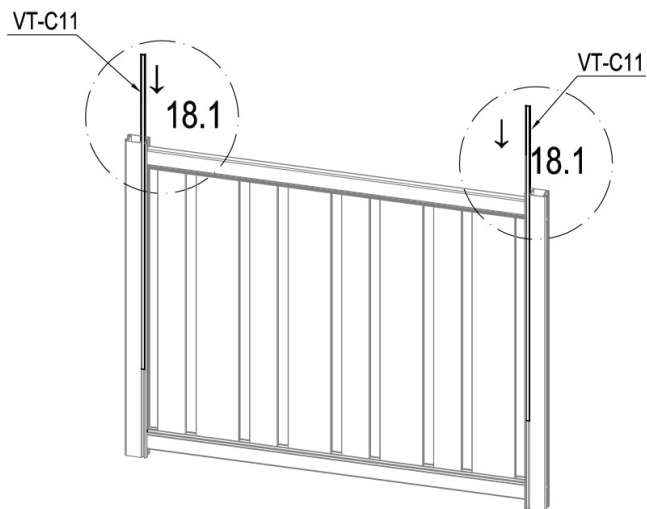
	LR-D1a	1
	RA-D6b	1
	Dr-28	2
	RA-BK33	4




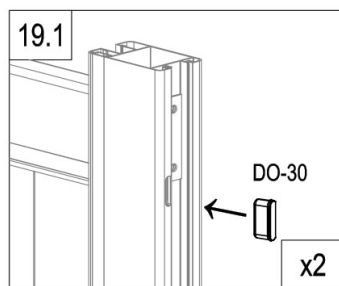
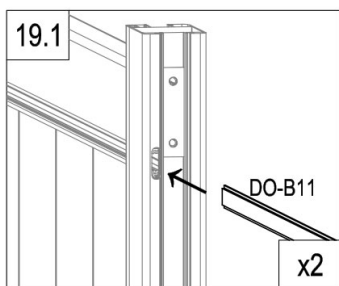
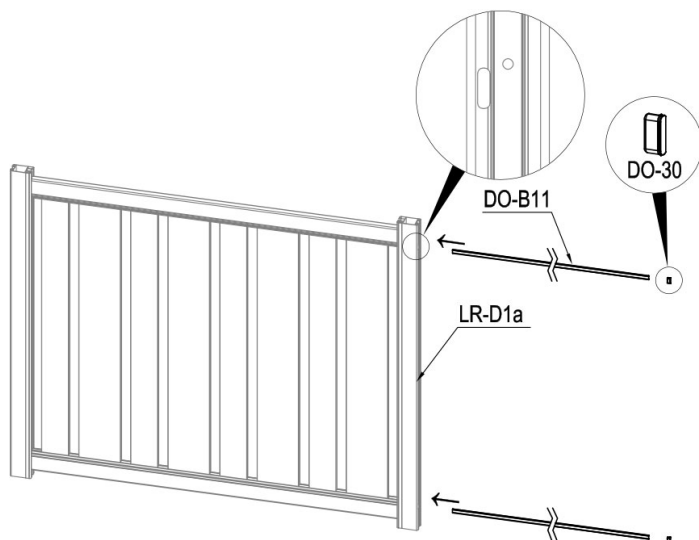
A=B





	RA-BK31	24
	RA-BK36	4

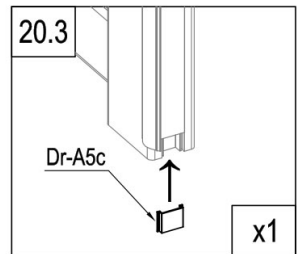
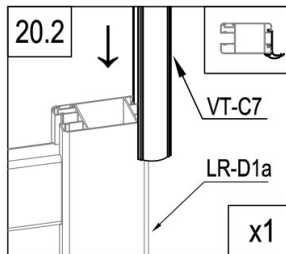
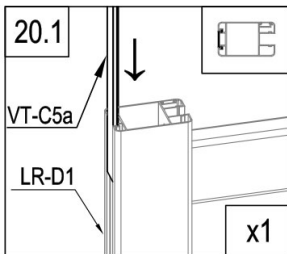
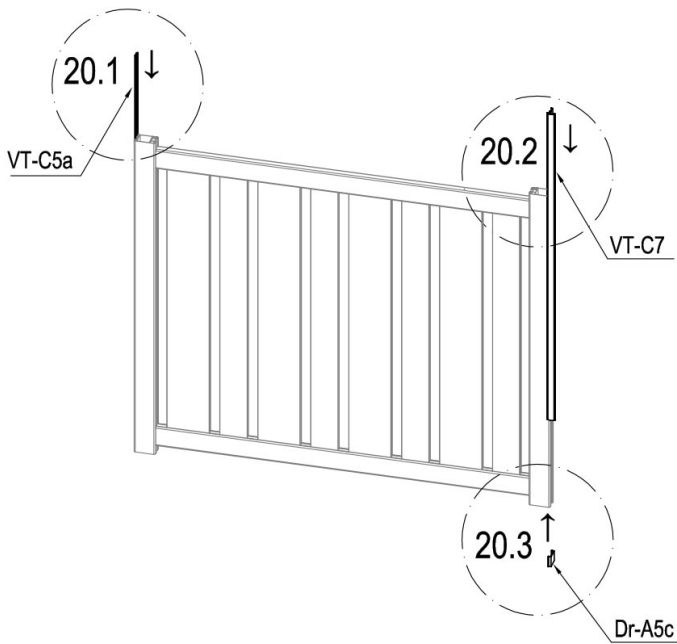



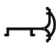
	VT-C11	2
---	--------	---

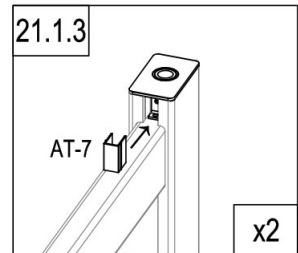
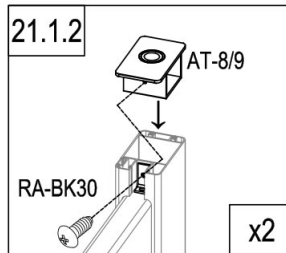
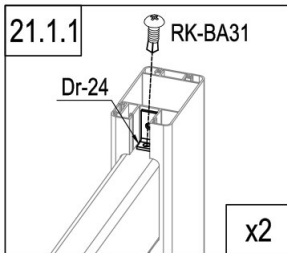
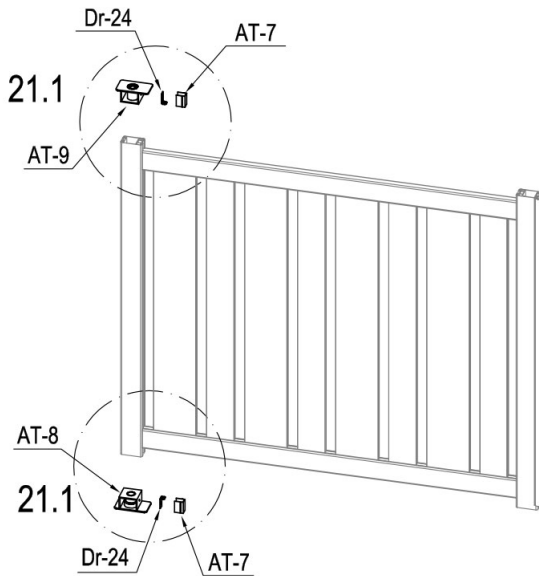


	DO-B11	2
	DO-30	2



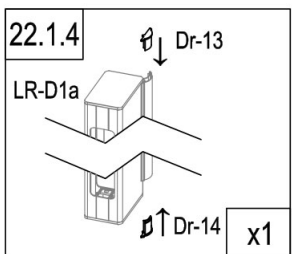
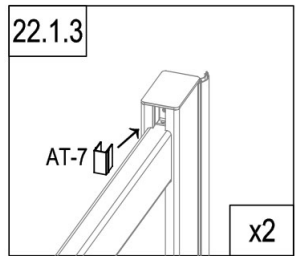
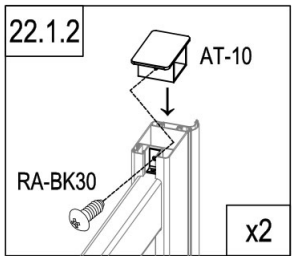
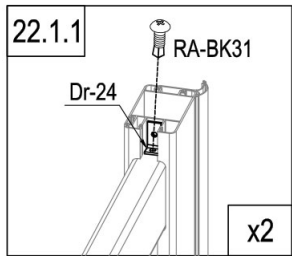
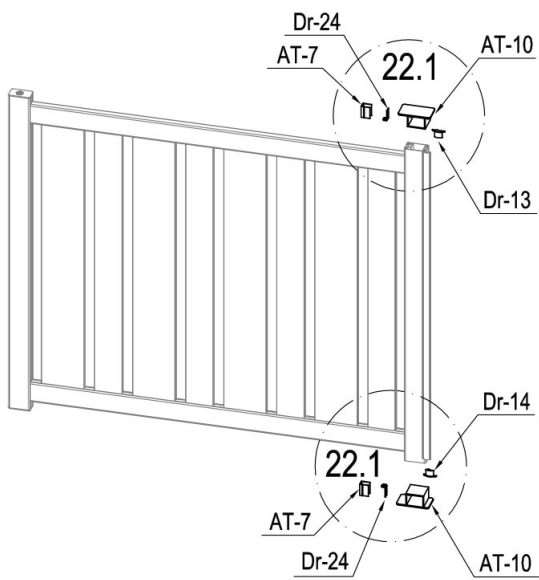


	VT-C5a	1
	Dr-A5c	1
	VT-C7	1



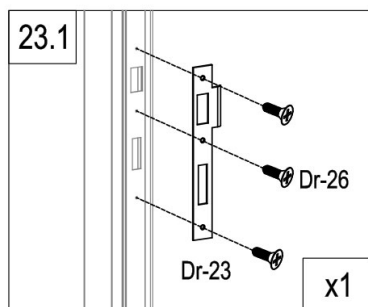
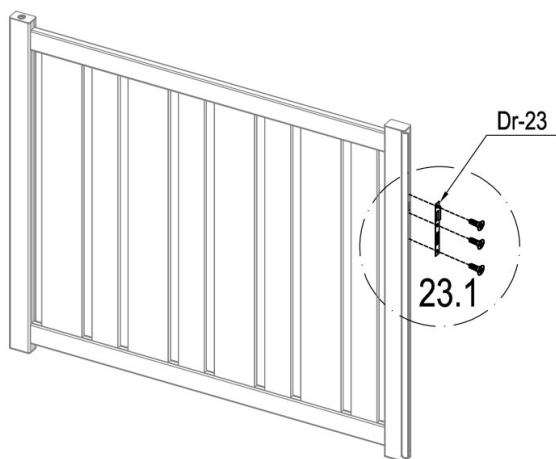
	AT-8	1
	AT-9	1
	Dr-24	2



	AT-7	2
	RA-BK30	2
	RA-BK31	2

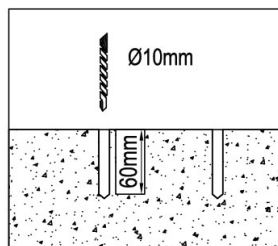
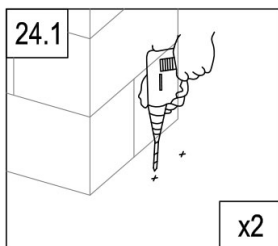
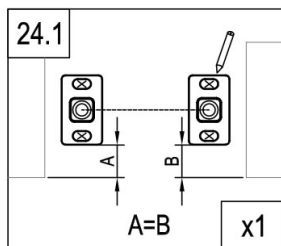
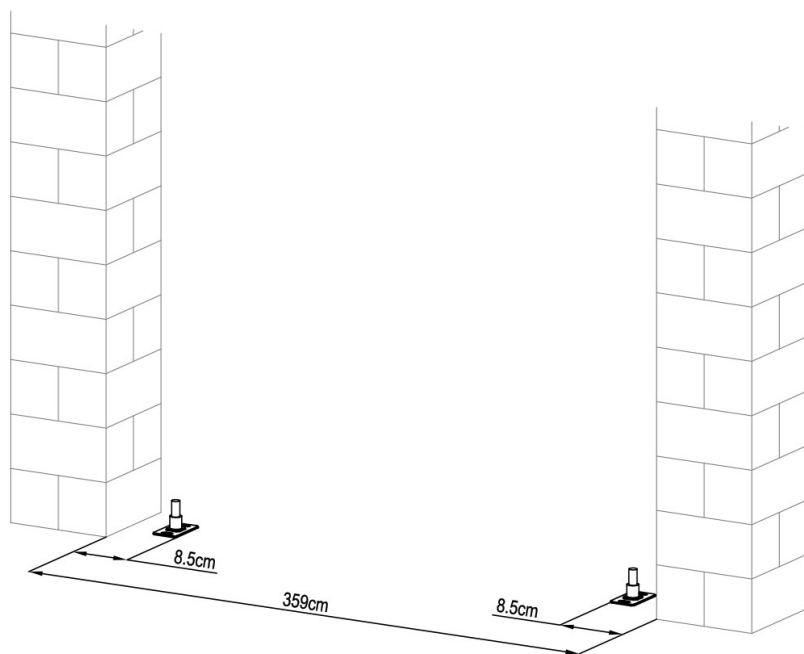


	AT-10	2
	Dr-24	2
	AT-7	2
	Dr-13	1

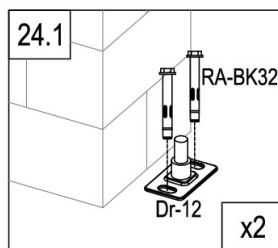
	Dr-14	1
	RA-BK30	2
	RA-BK31	2

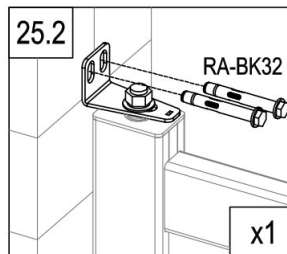
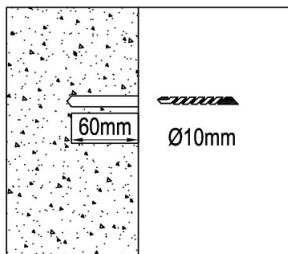
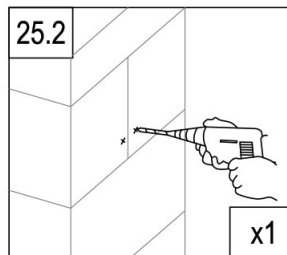
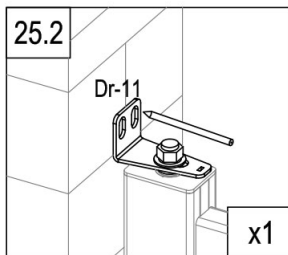
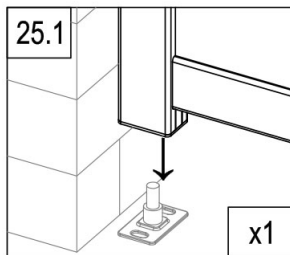
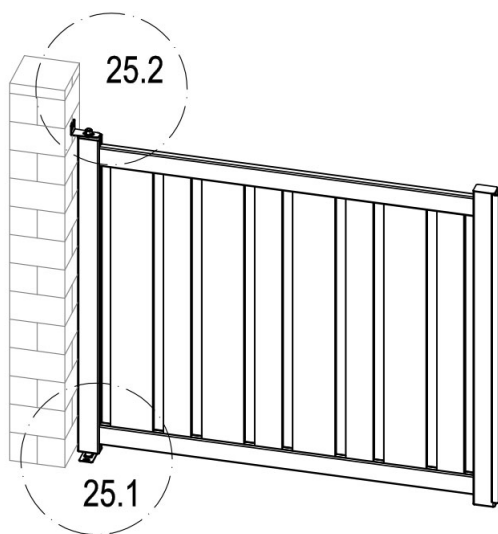



	Dr-23	1
	Dr-26	3

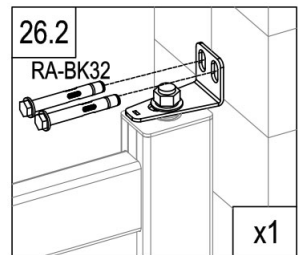
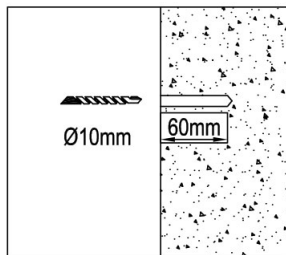
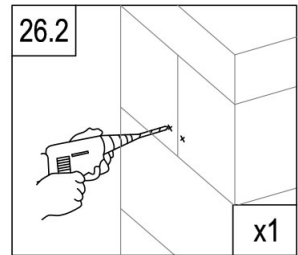
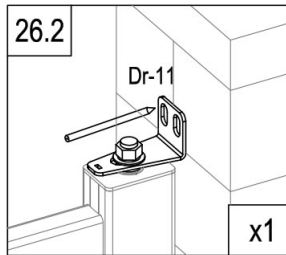
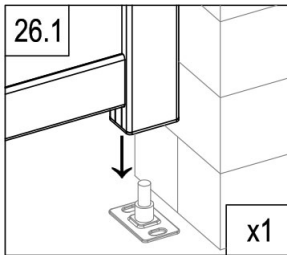
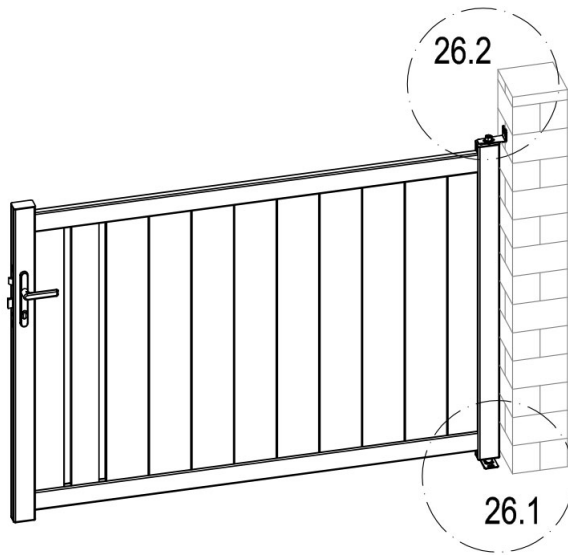




	Dr-12	2
	RA-BK32	4

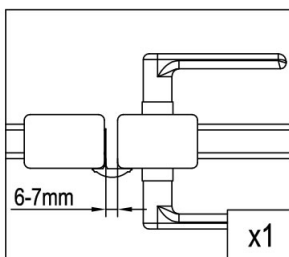
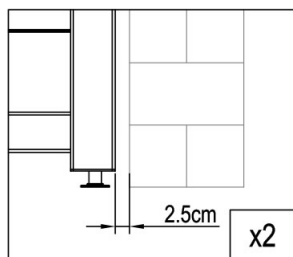
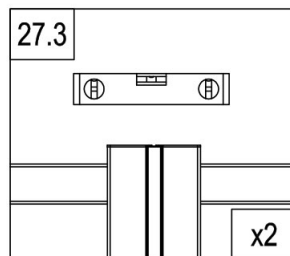
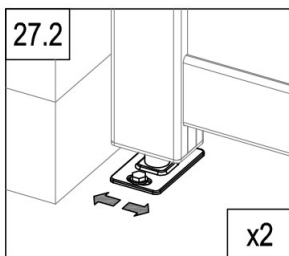
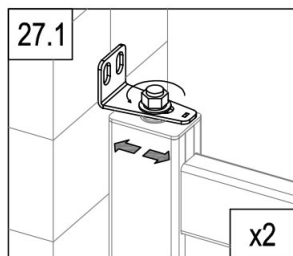
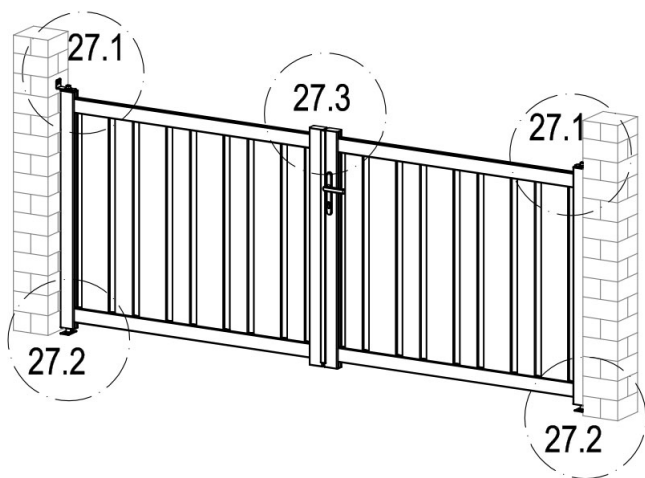




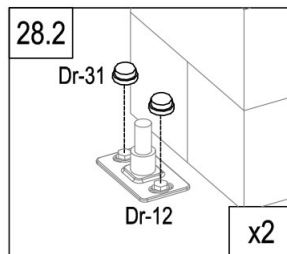
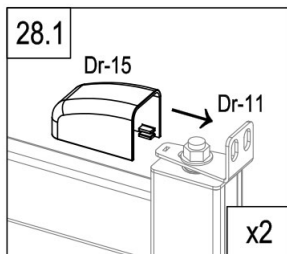
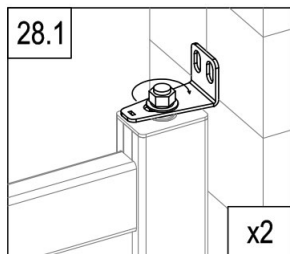
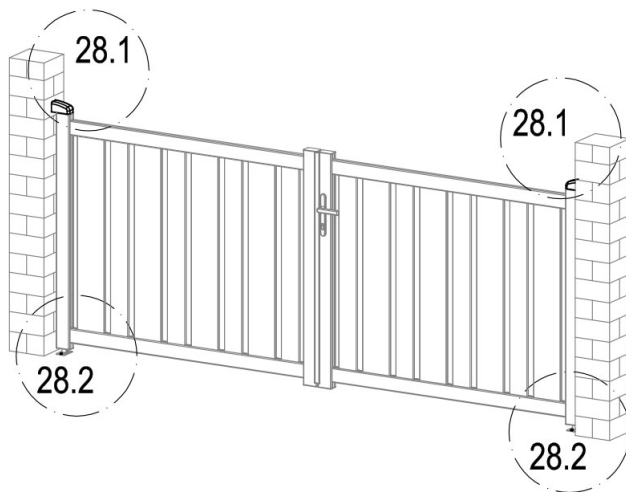
	Dr-11	1
	RA-BK32	2





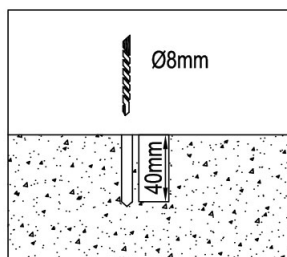
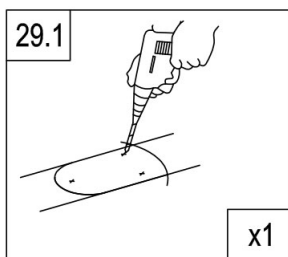
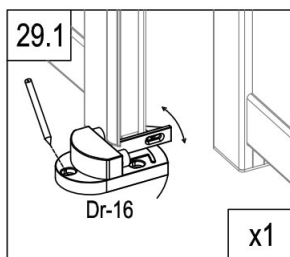
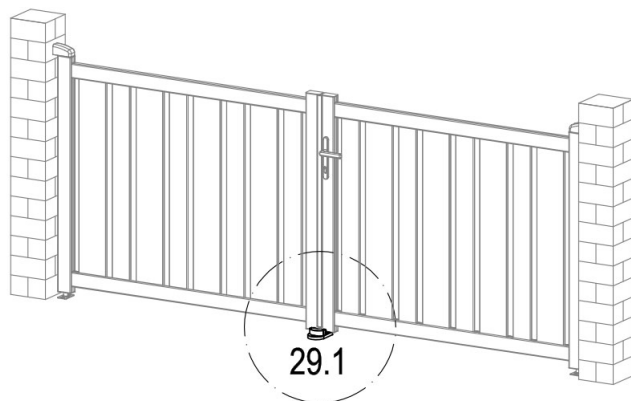
	Dr-11	1
	RA-BK32	2


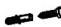



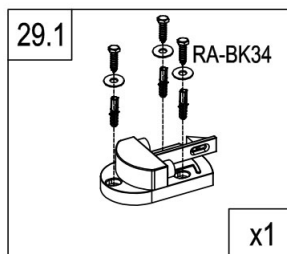


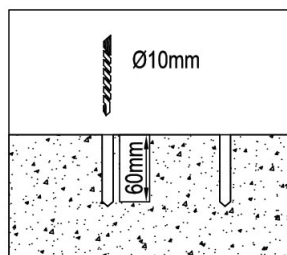
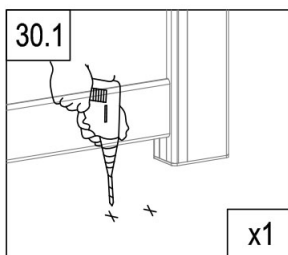
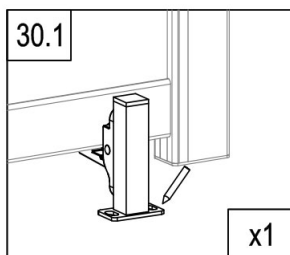
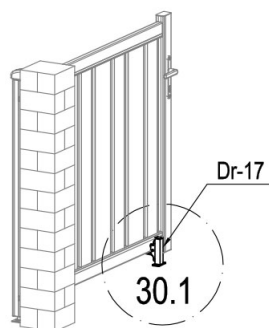
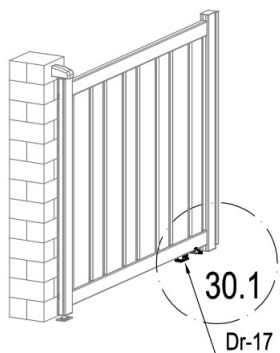




	Dr-15	2
	Dr-31	4



	Dr-16	1
	RA-BK34	3
	RA-BK35	3





	RA-BK32	4
	Dr-17	2

