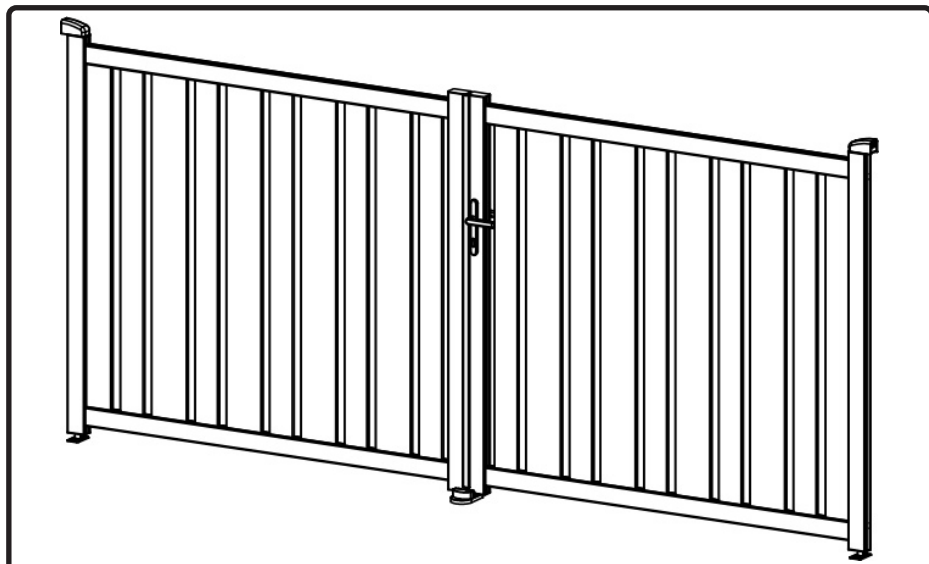


CASANOVO

VEYMONT 350B160



COM-000830 [x1]

COM-000831 [x1]



5-7H

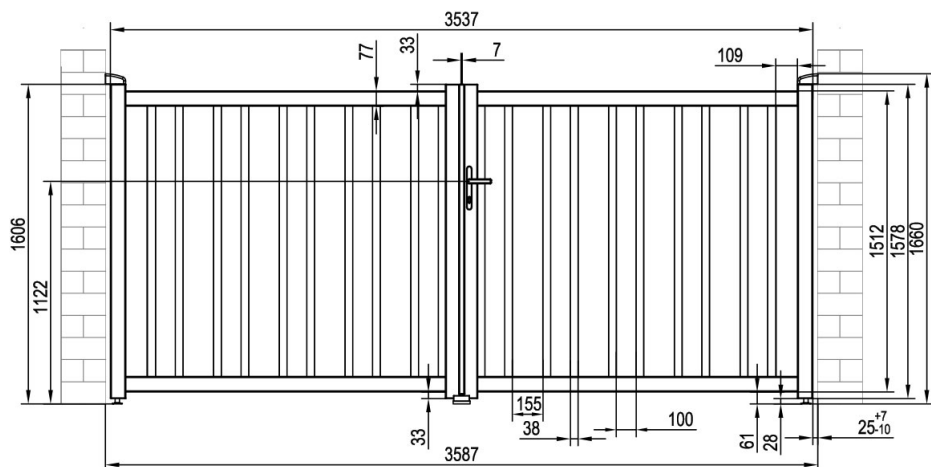


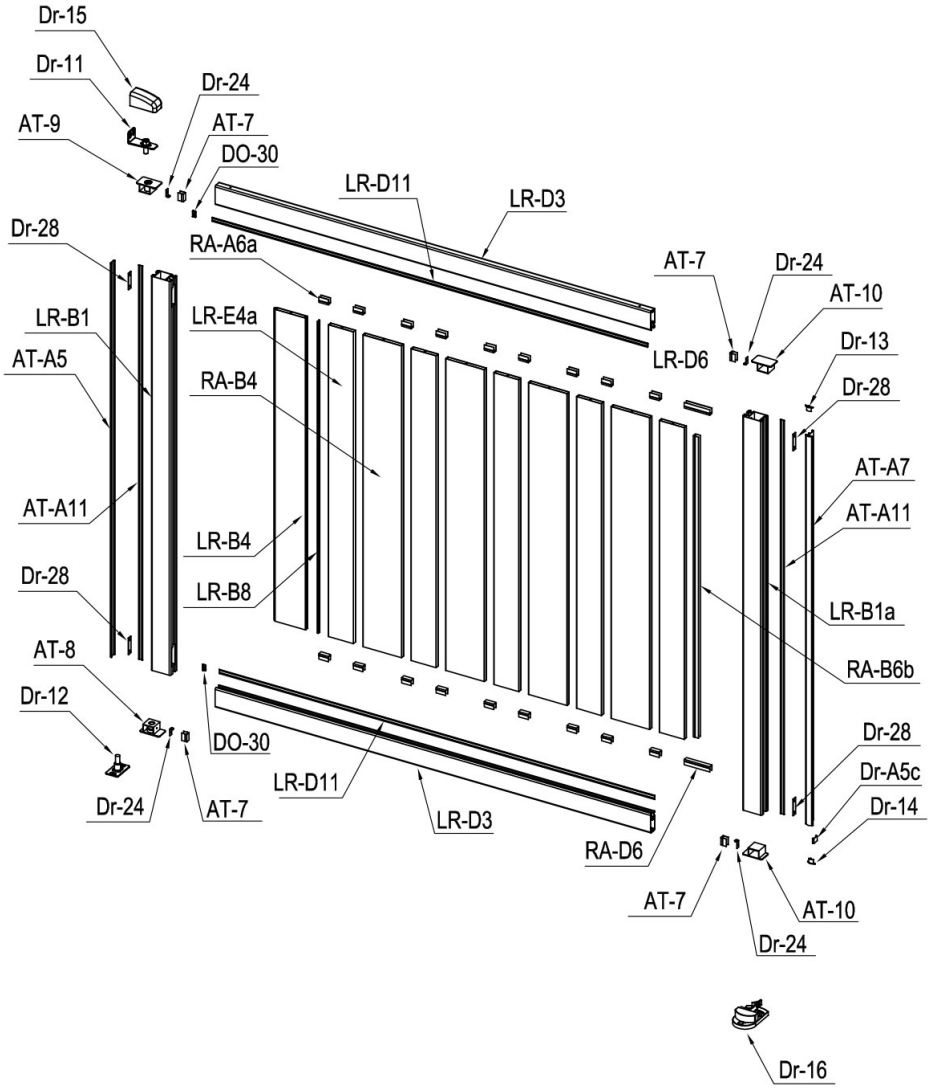
X 2

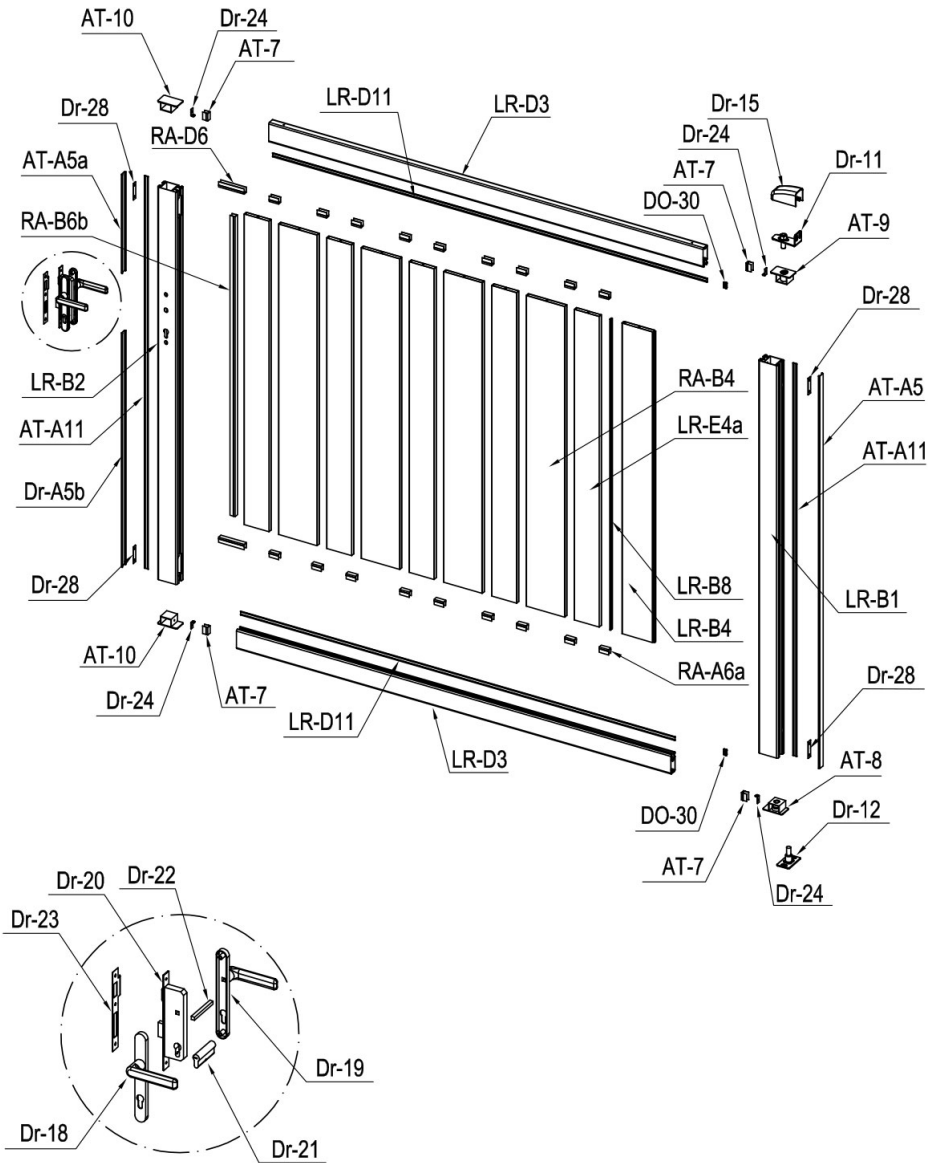
EN FR DE ES PT IT NL PL FI SE DK
RO SI SK HU CZ HR GR LT LV



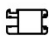









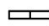















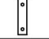









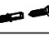




INSTRUCTION MANUAL / NOTICE DE MONTAGE / MONTAGEANLEITUNG / MANUAL DE MONTAJE / MANUAL DE MONTAGEM / MANUALE DI MONTAGGIO /
MONTAGEHANDLEIDING / INSTRUKCJA MONTAŻU / KÄYTTÖOHJEET / BRUKSANVISNING / BRUGSANVISNING / INSTRUCȚIUNI DE ASAMBLARE /
NAVODILA ZA SESTAVLJANJE / NÁVOD NA MONTÁŽ / ÖSSZESZERELÉSI ÚTMUTATÓ / NÁVOD K MONTÁŽI / UPUTE ZA INSTALACIJU /
ΟΔΗΓΙΕΣ ΣΥΝΑΡΜΟΛΟΓΗΣΗΣ / SURINKIMO INSTRUKCIJOS / MONTĀŽAS INSTRUKCIJAS

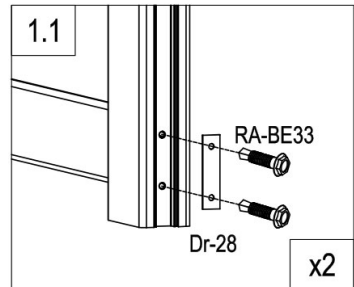
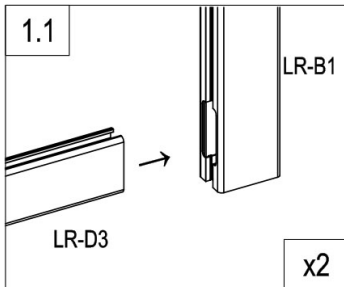
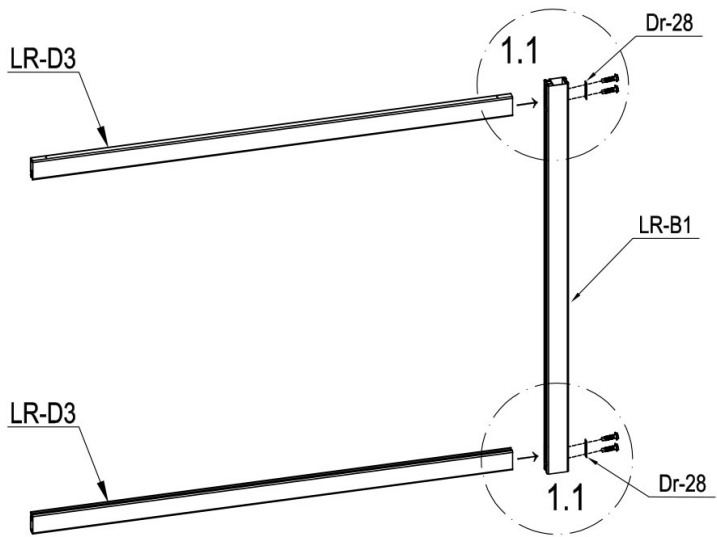


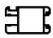
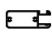




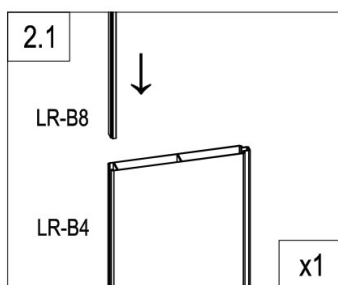
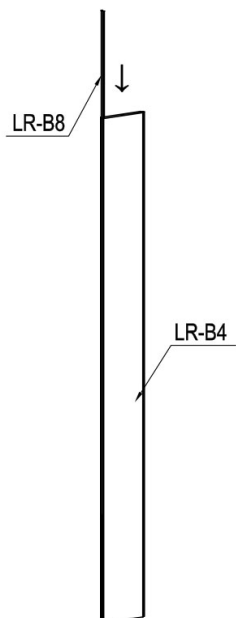



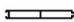
PART LIST

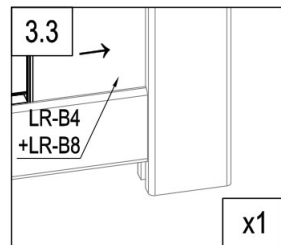
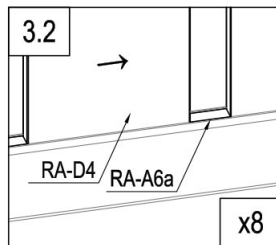
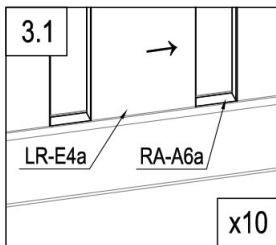
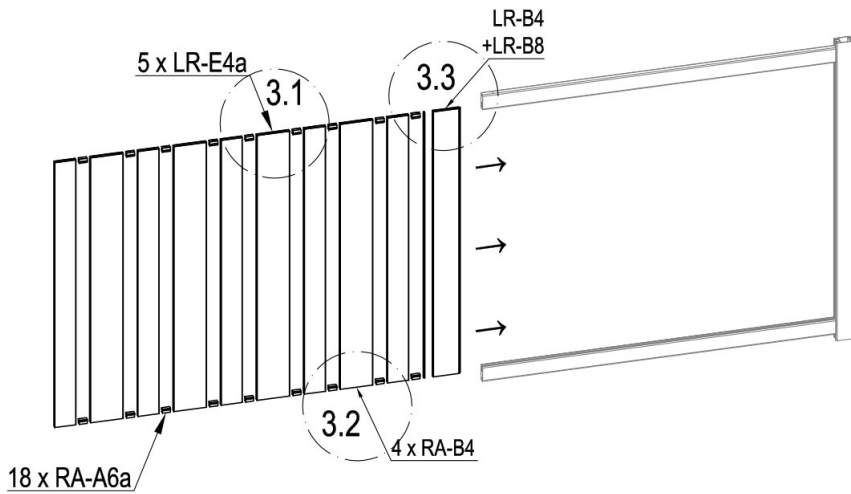
IMAGE	NO.	L.(mm)	QTY	IMAGE	NO.	L.(mm)	QTY
	LR-B1	1573	2		Dr-14		1
	LR-B1a	1573	1		Dr-15		2
	LR-B2	1573	1		Dr-16		1
	LR-D3	1742	4		Dr-17		2
	LR-B4	1400	2		Dr-31		4
	RA-B4	1400	8		DO-30		4
	LR-E4a	1400	10		Dr-18		1
	AT-A5	1573	2		Dr-19		1
	AT-A5a	395.5	1		Dr-20		1
	Dr-A5b	937	1		Dr-21		1
	Dr-A5c	19.5	1		Dr-22		1
	AT-A11	1573	4		Dr-23		1
	LR-D11	1742	4		Dr-25	M5x45	1
	AT-7	29.5	8		Dr-25a	M5x60	2
	RA-A6a	38	36		Dr-26	ST4x12	3
	RA-B6b	1357	2		Dr-27	ST4.2x25	2
	RA-D6	102	4		Dr-24		8
	LR-B8	1400	4		Dr-28		8
	AT-A7	1553	1		RA-BE30	ST4x10	8
	AT-8		2		RA-BE31	ST4.2x13	64
	AT-9		2		RA-BE32	M8x60	12
	AT-10		4		RA-BE33	ST5.5x38	16
	Dr-11		2		RA-BE34	ST6x40	3
	Dr-12		2		RA-BE35	Ø6	3
	Dr-13		1		RA-BE36	ST4.8x38	8

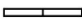
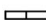



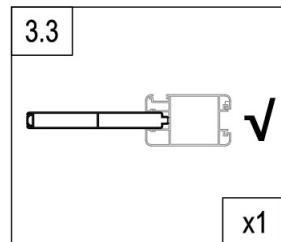
	LR-B1	1
	LR-D3	2
	Dr-28	2
	RA-BE33	4

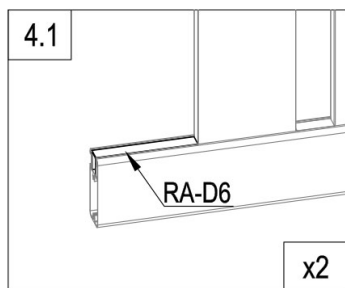
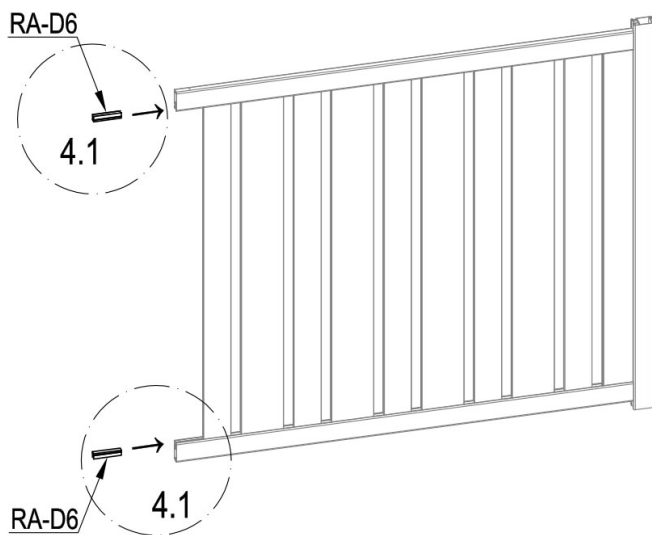


	LR-B8	1
	LR-B4	1

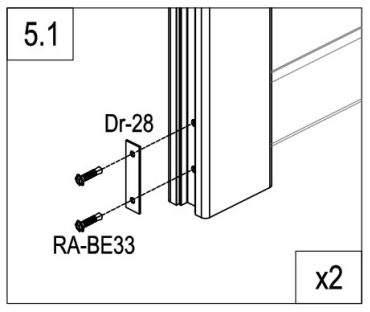
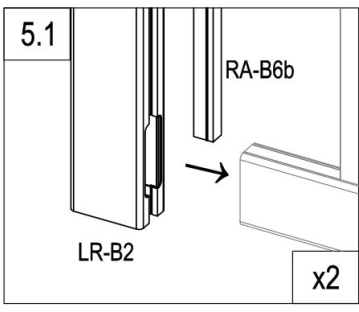
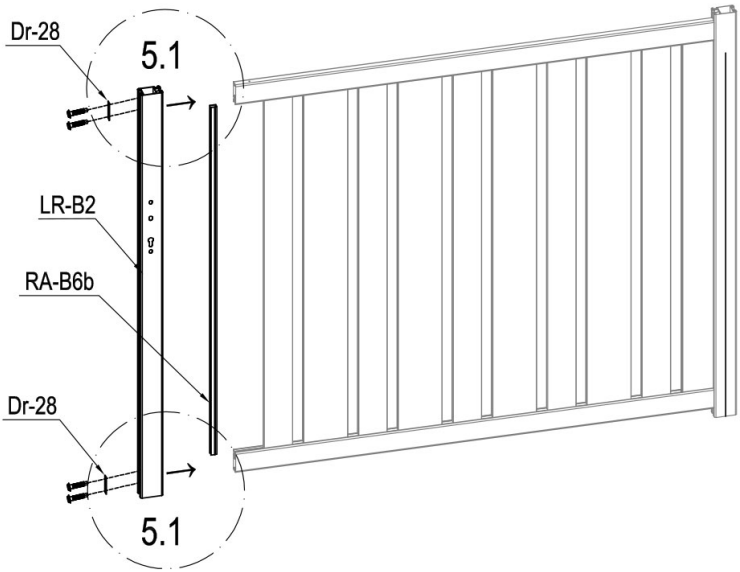






	RA-B4	4
	LR-E4a	5
	RA-A6a	18

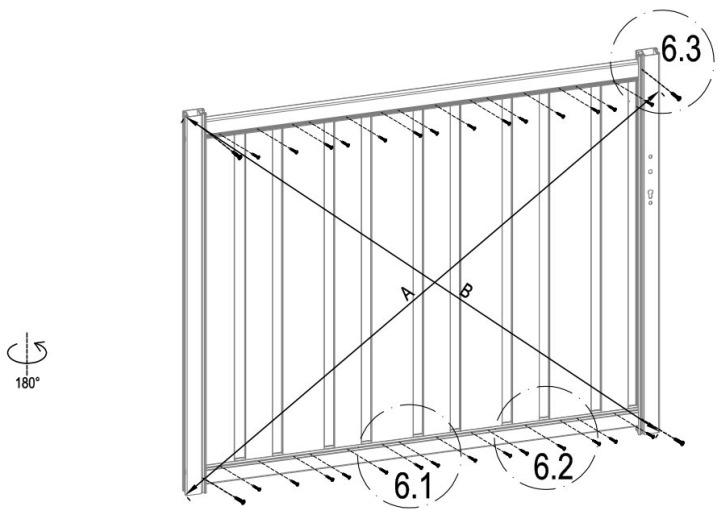




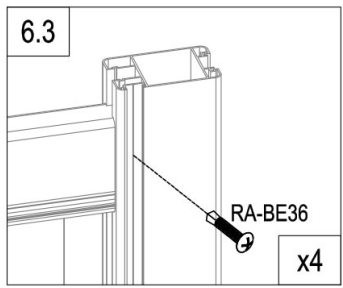
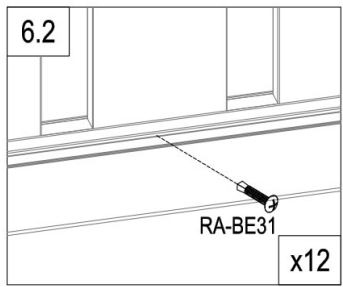
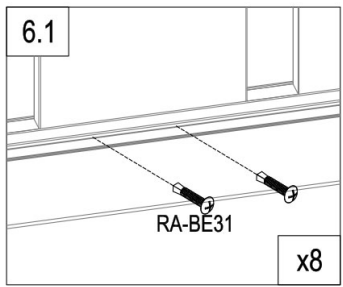
	RA-D6	2
---	-------	---





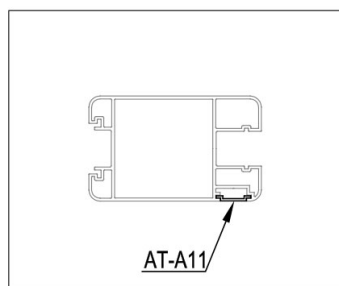
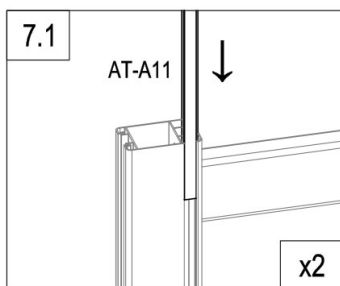
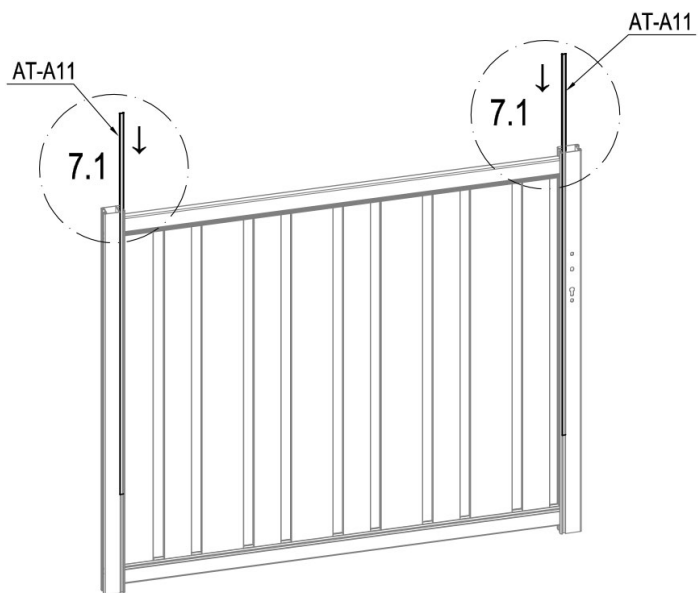
	LR-B2	1
	RA-B6b	1
	Dr-28	2
	RA-BE33	4



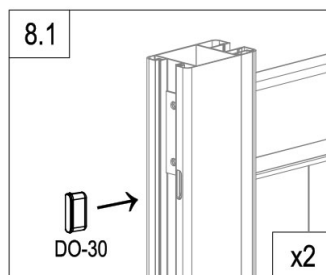
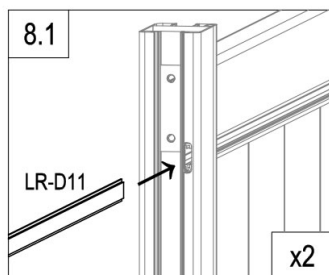
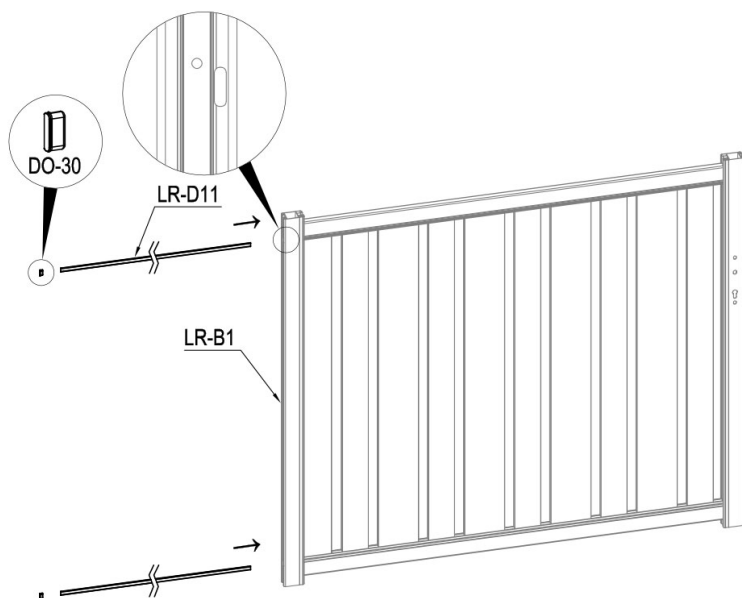
A=B





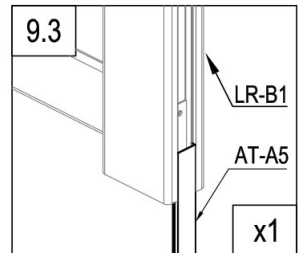
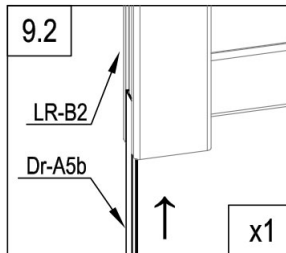
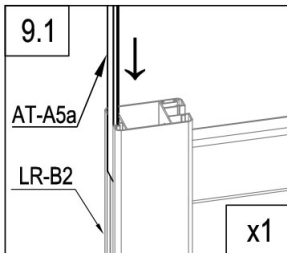
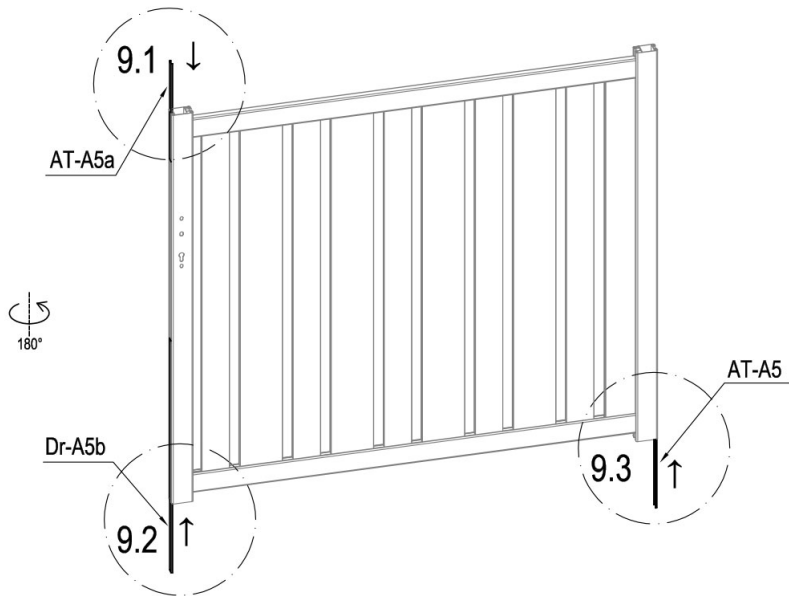
	RA-BE31	28
	RA-BE36	4



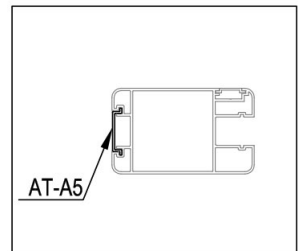
	AT-A11	2
---	--------	---

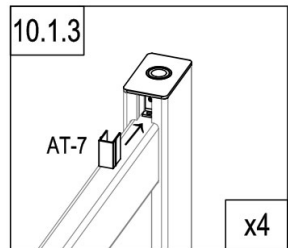
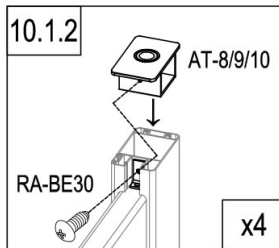
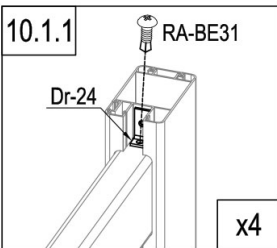
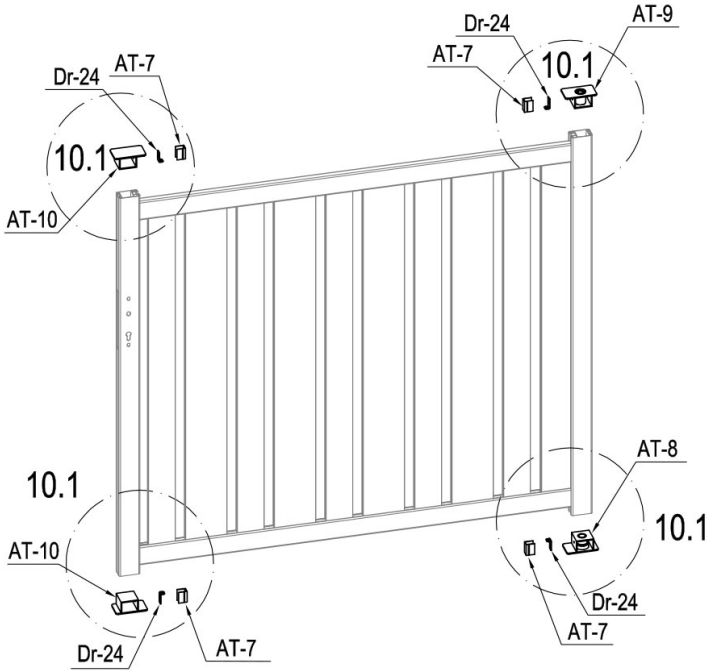


	LR-D11	2
	DO-30	2



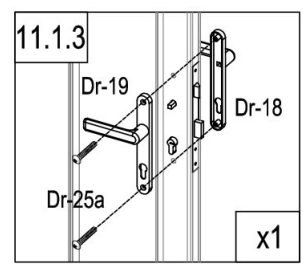
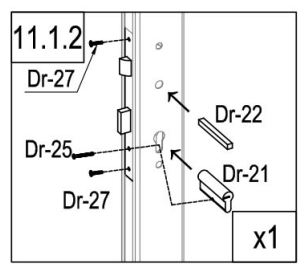
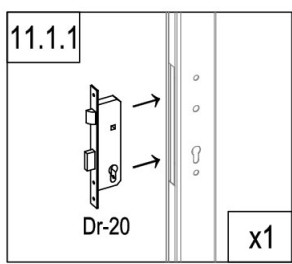
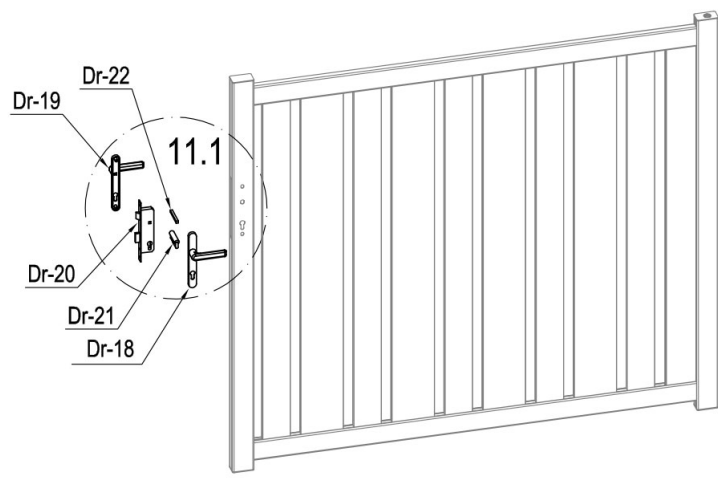
	AT-A5	1
	AT-A5a	1
	Dr-A5b	1





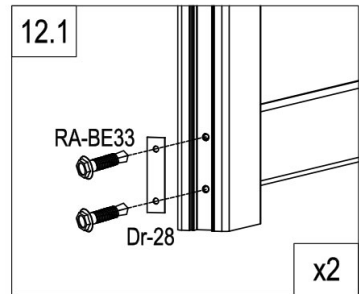
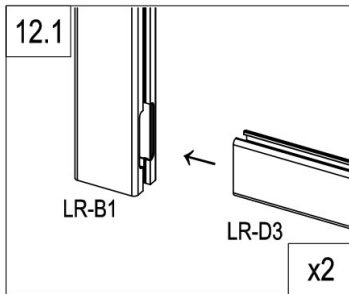
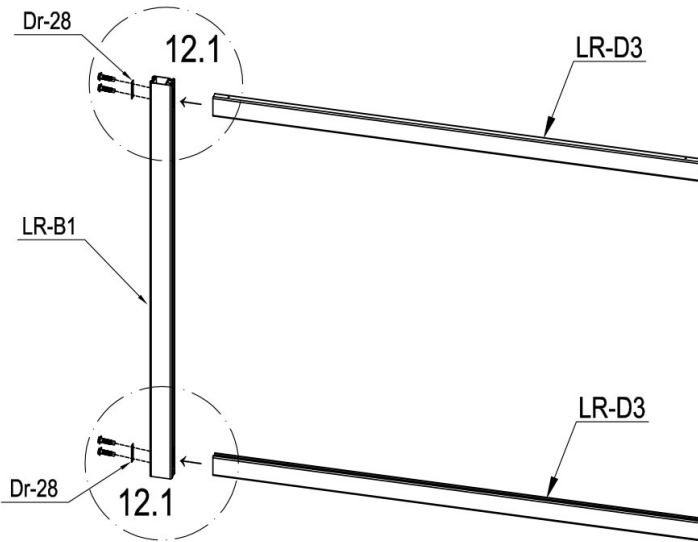
	AT-8	1
	AT-9	1
	AT-10	2
	Dr-24	4

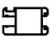
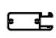


	AT-7	4
	RA-BE30	4
	RA-BE31	4

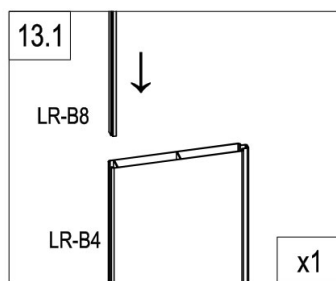
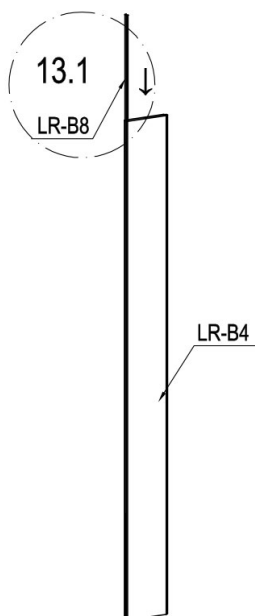




	Dr-20	1
	Dr-21	1
	Dr-22	1
	Dr-25	1

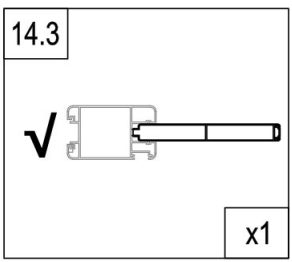
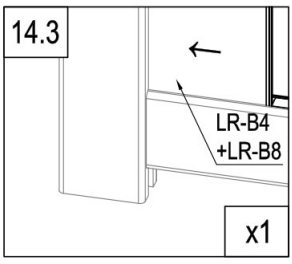
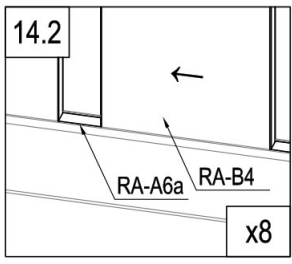
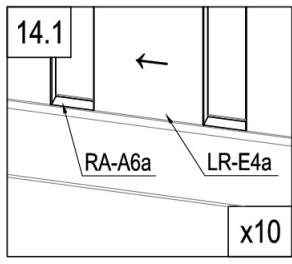
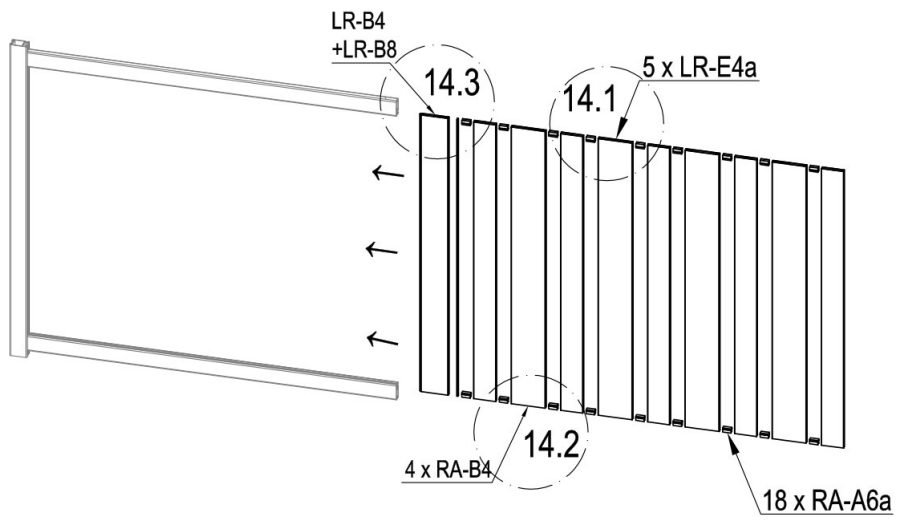
	Dr-18	1
	Dr-19	1
	Dr-25a	2
	Dr-27	2

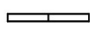
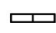



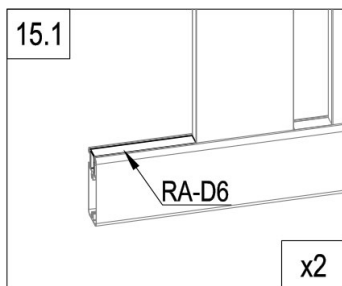
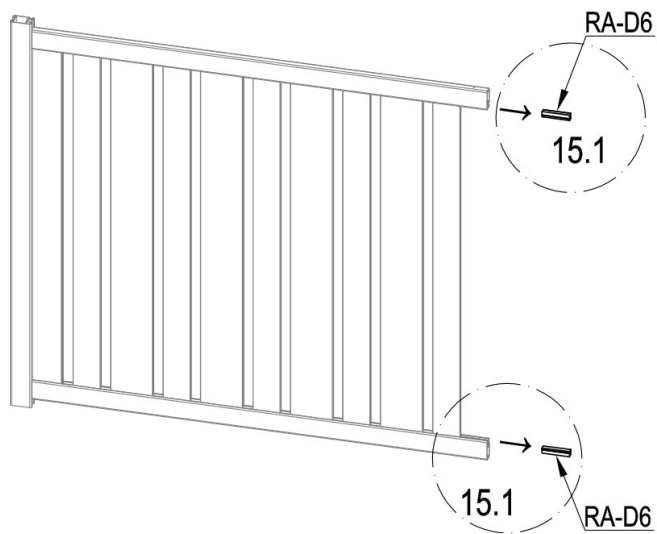
	LR-B1	1
	LR-D3	2
	Dr-28	2
	RA-BE33	4



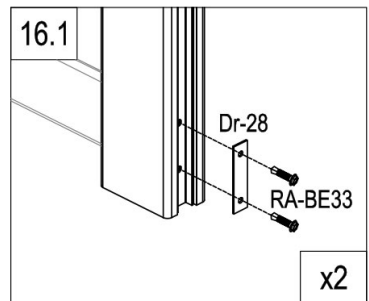
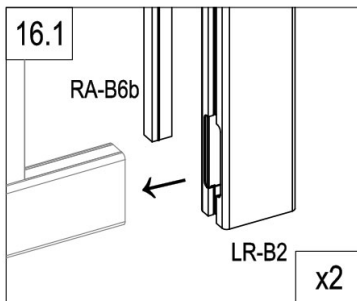
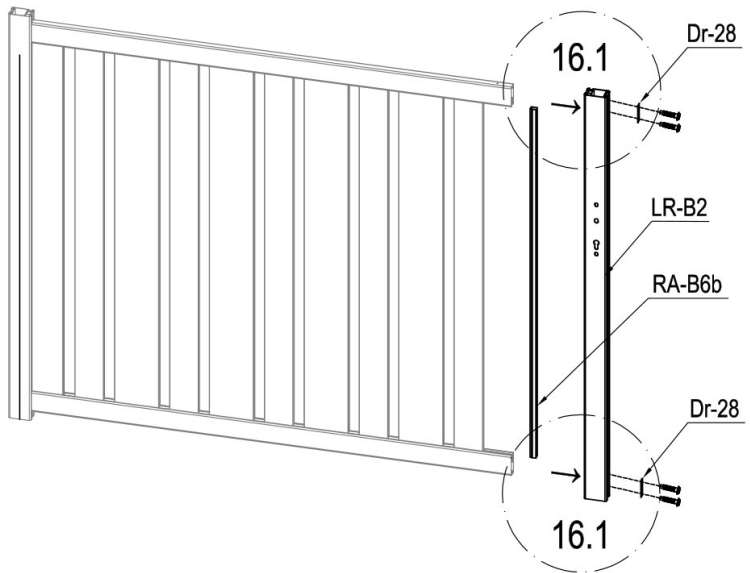
	LR-B8	1
	LR-B4	1







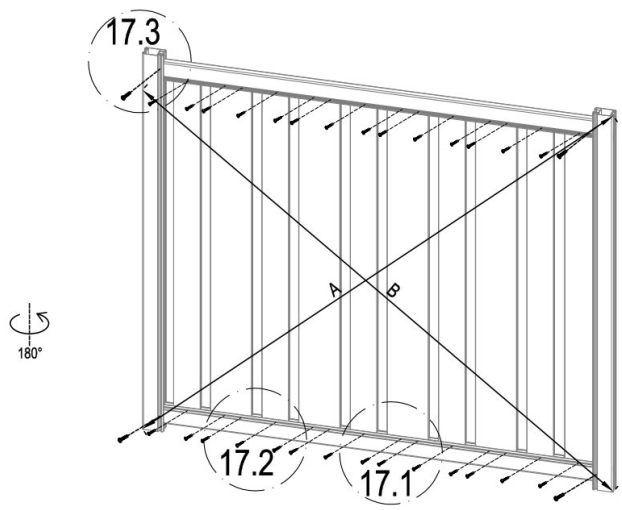
	RA-B4	4
	LR-E4a	5
	RA-A6a	18



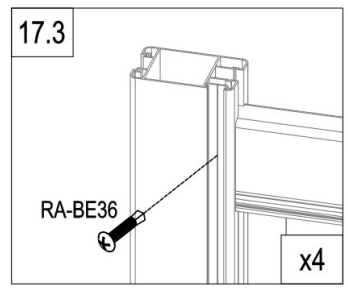
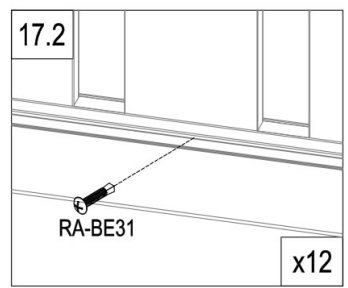
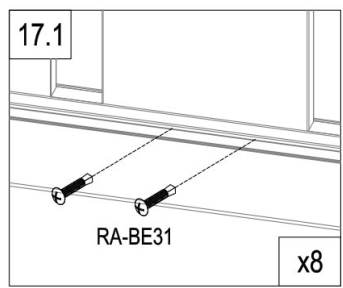
	RA-D6	2
---	-------	---





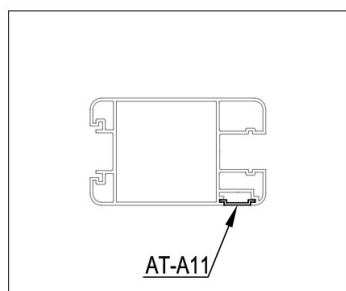
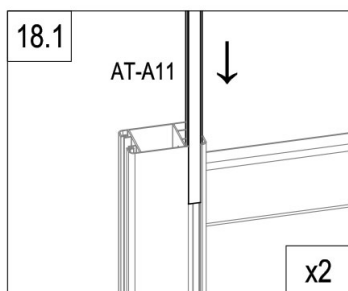
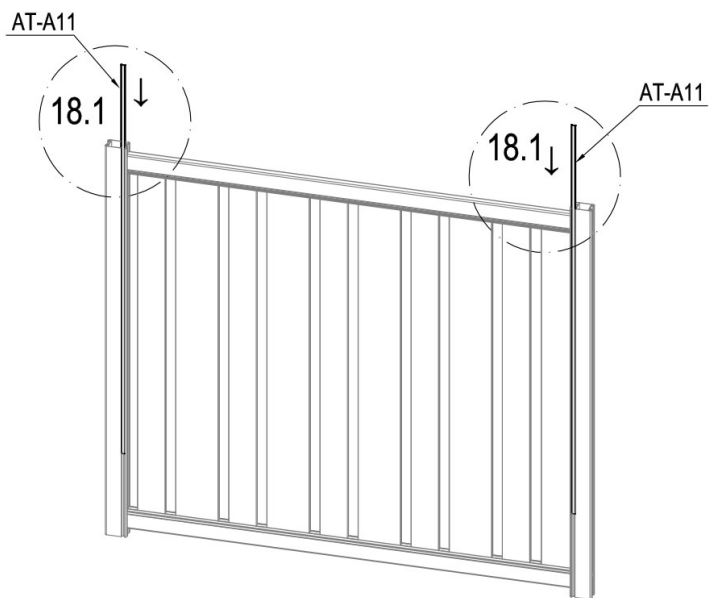
	LR-B2	1
	RA-B6b	1
	Dr-28	2
	RA-BE33	4



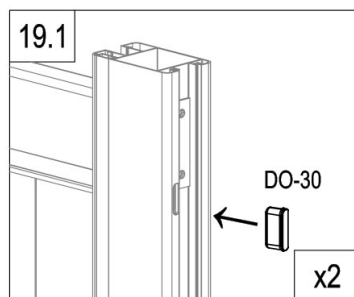
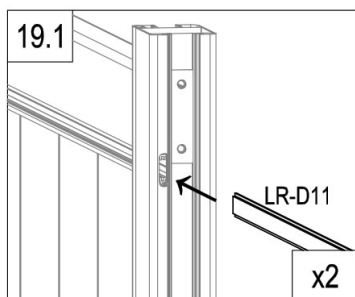
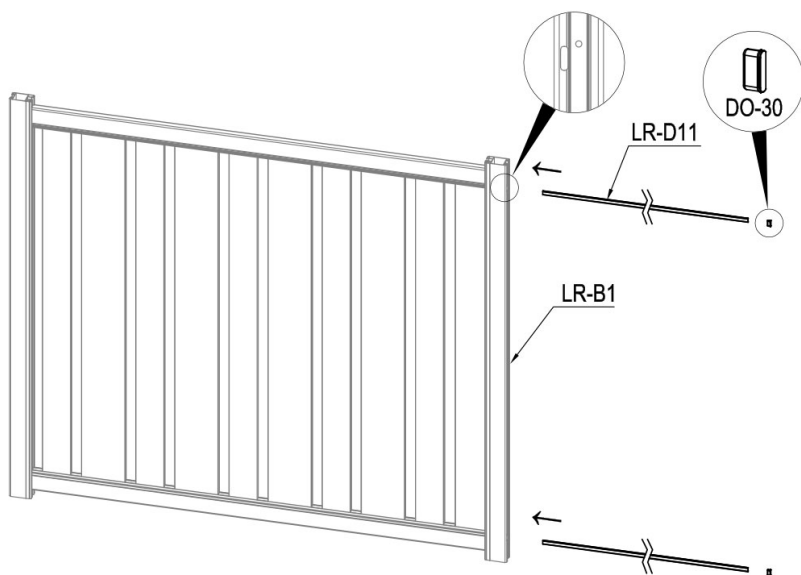
A=B





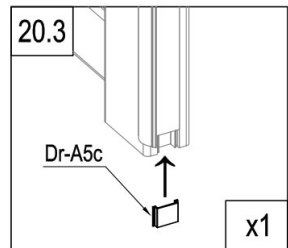
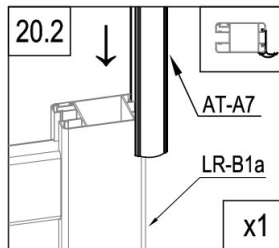
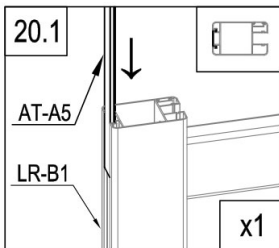
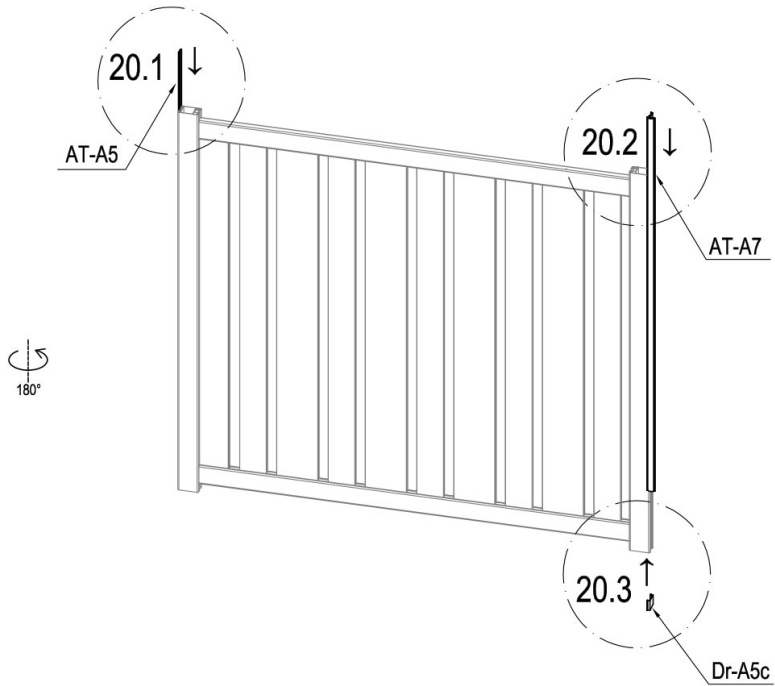
	RA-BE31	28
	RA-BE36	4





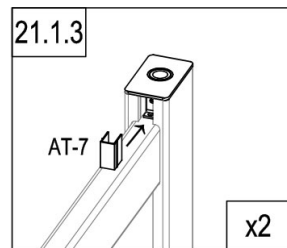
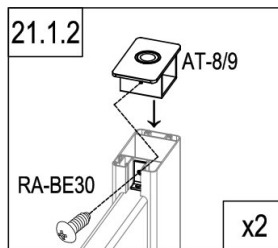
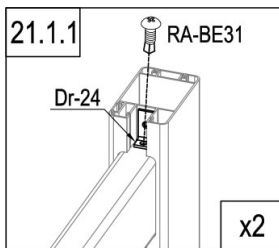
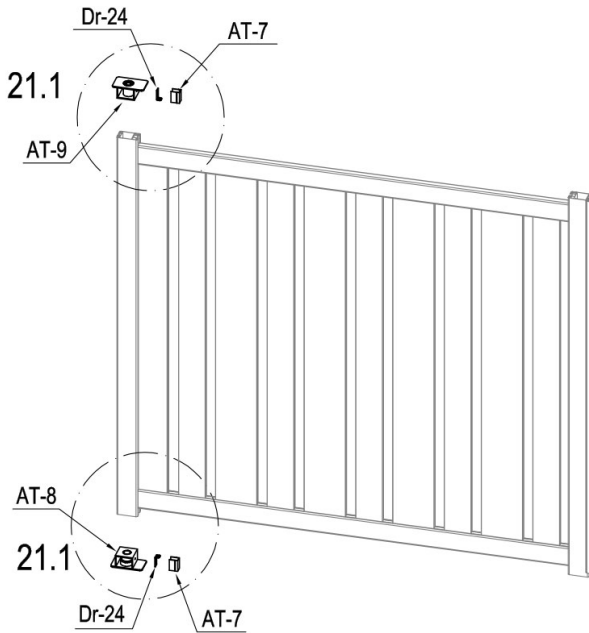
	AT-A11	2
---	--------	---



	LR-D11	2
	DO-30	2

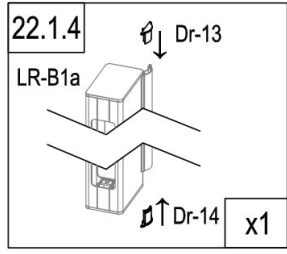
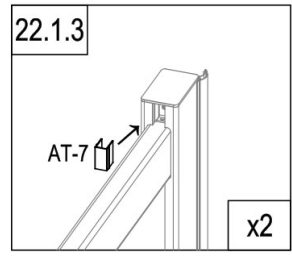
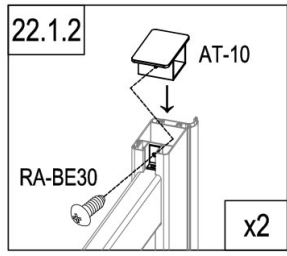
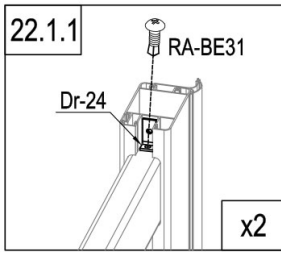
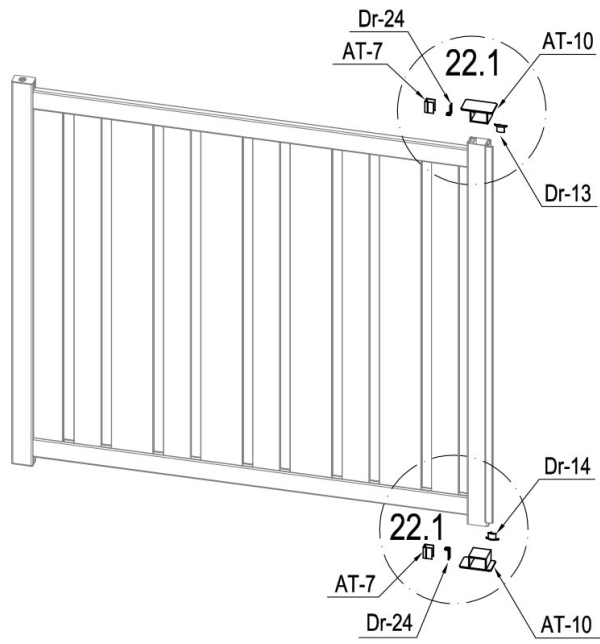


	AT-A5	1
	Dr-A5c	1
	AT-A7	1



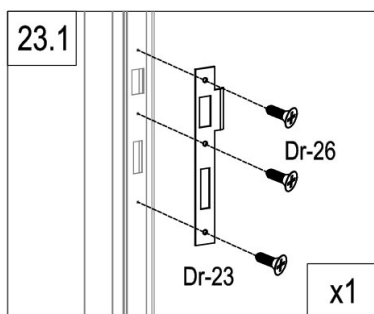
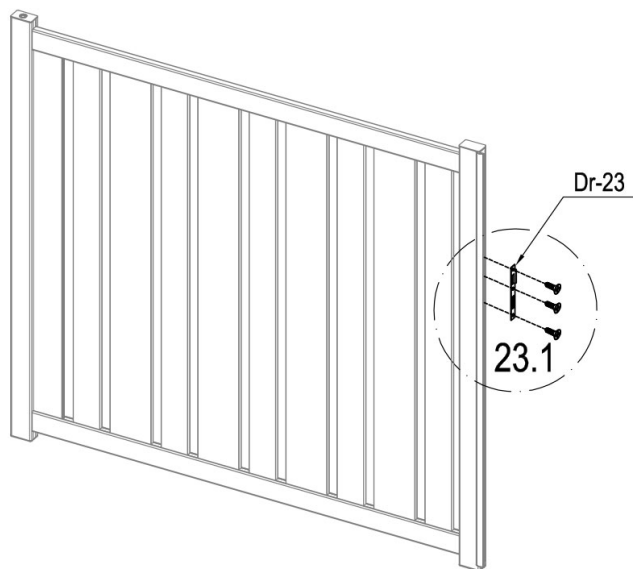
	AT-8	1
	AT-9	1
	Dr-24	2



	AT-7	2
	RA-BE30	2
	RA-BE31	2

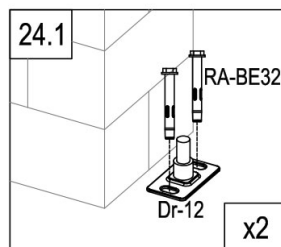
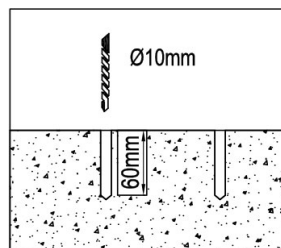
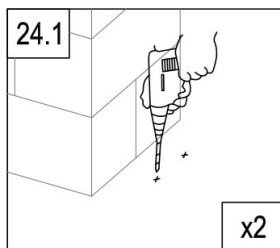
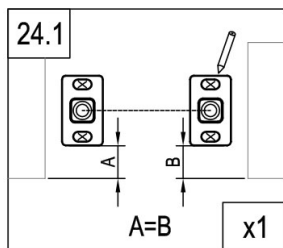
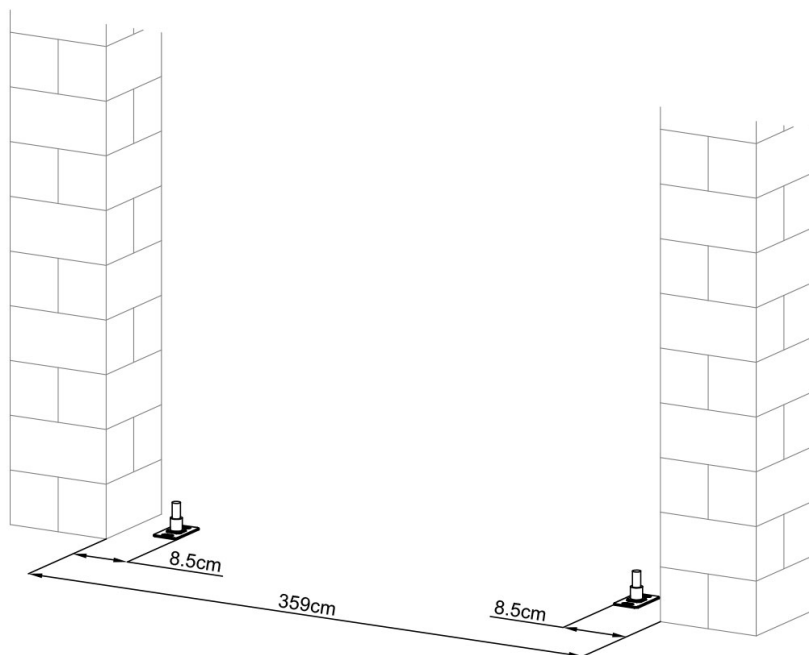




	AT-10	2
	Dr-24	2
	AT-7	2
	Dr-13	1

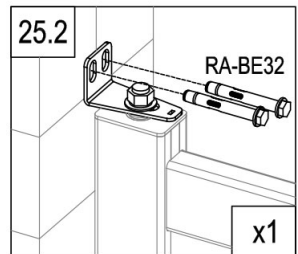
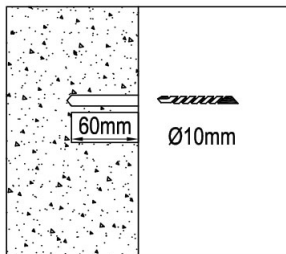
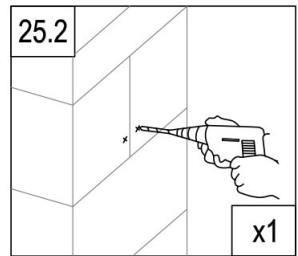
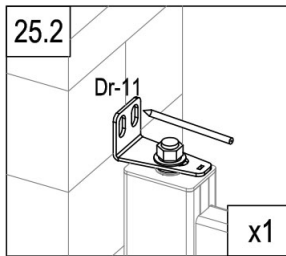
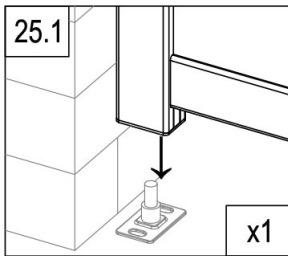
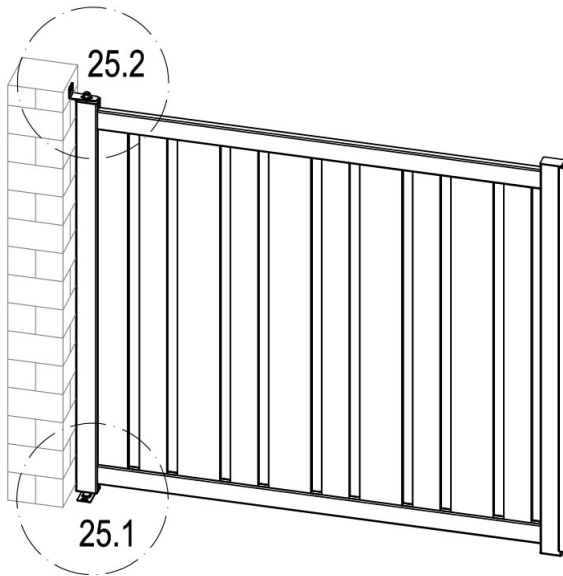
	Dr-14	1
	RA-BE30	2
	RA-BE31	2





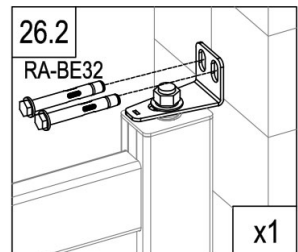
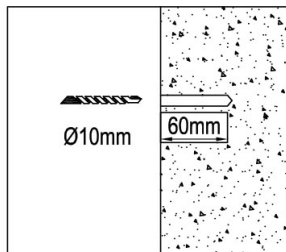
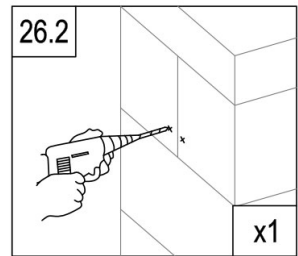
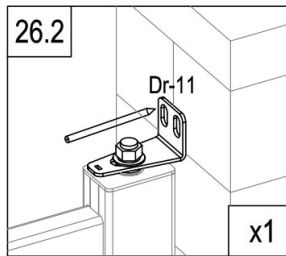
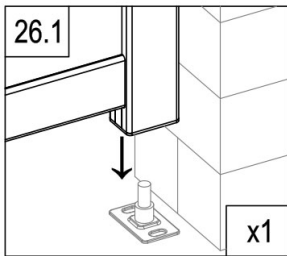
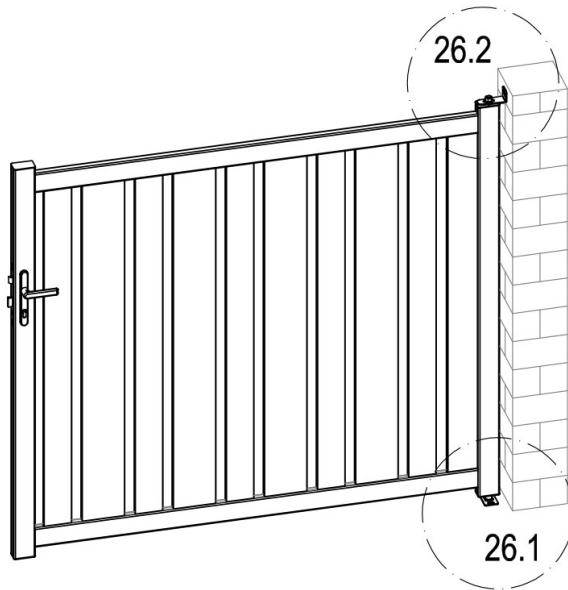
	Dr-23	1
	Dr-26	3





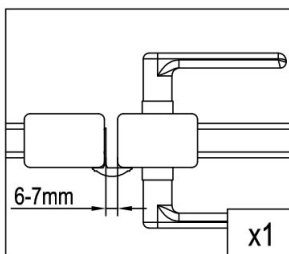
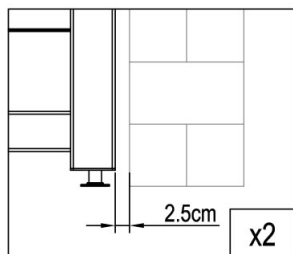
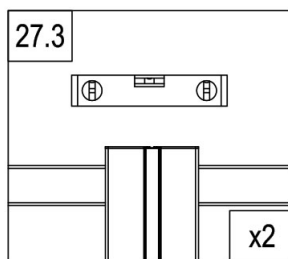
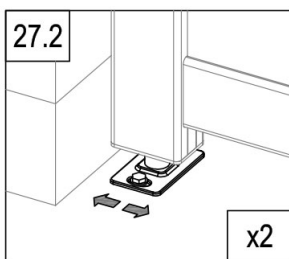
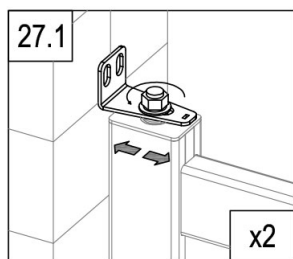
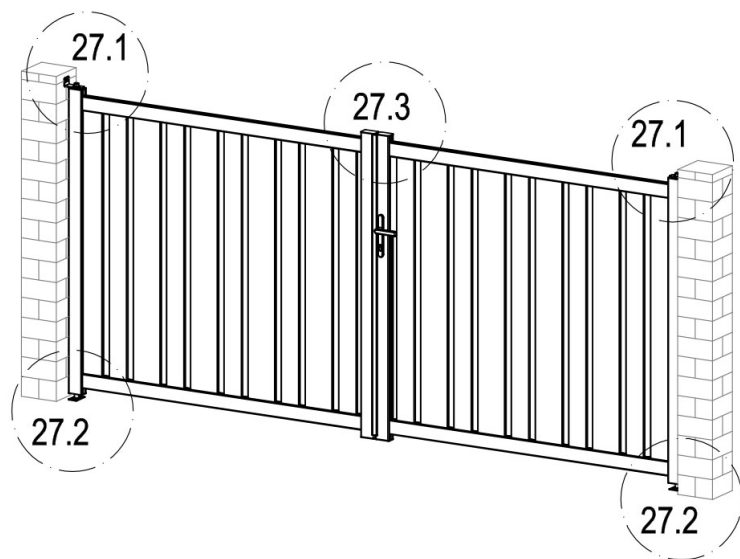
	Dr-12	2
	RA-BE32	4

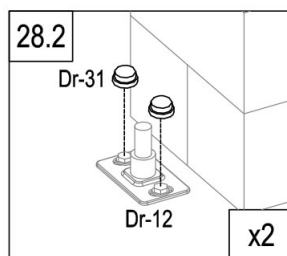
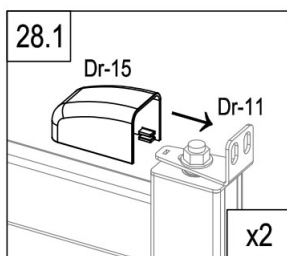
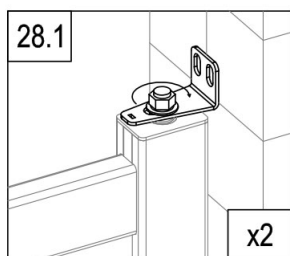
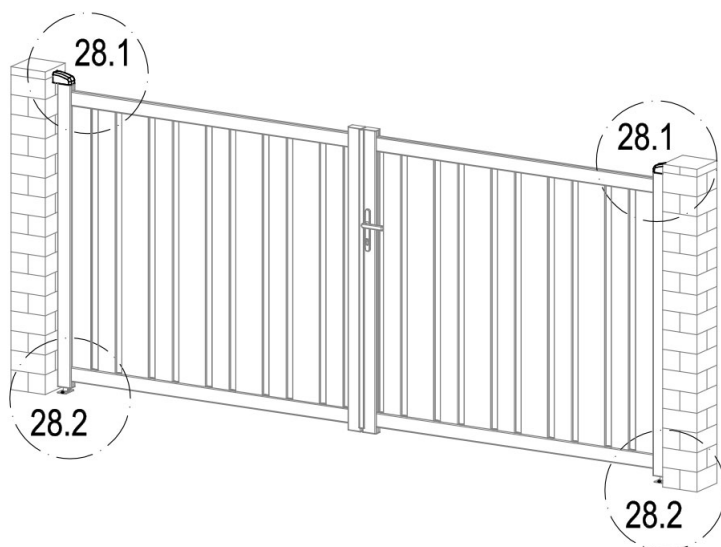




	Dr-11	1
	RA-BE32	2

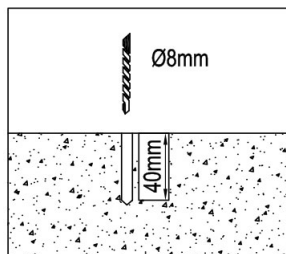
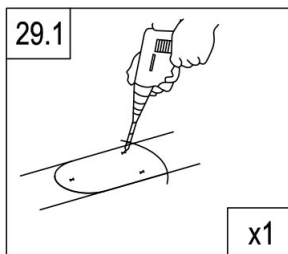
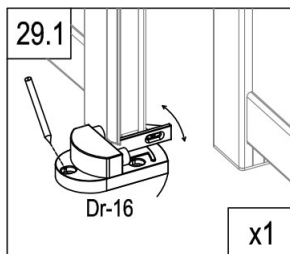
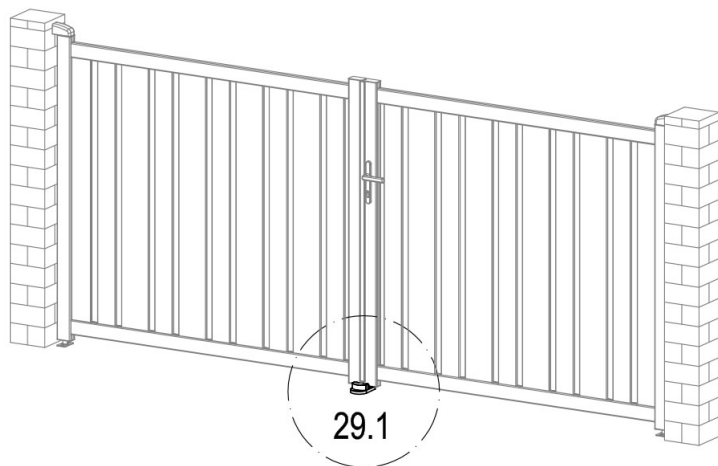



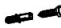

	Dr-11	1
	RA-BE32	2

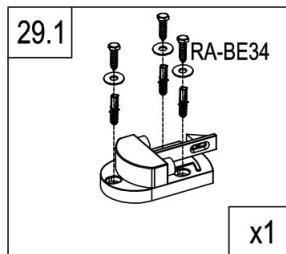




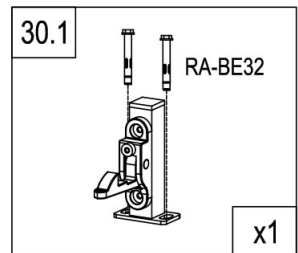
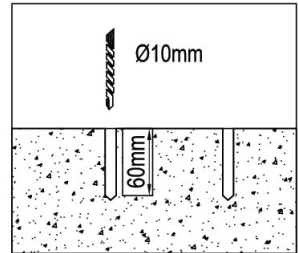
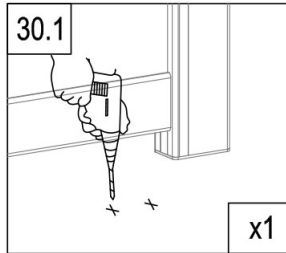
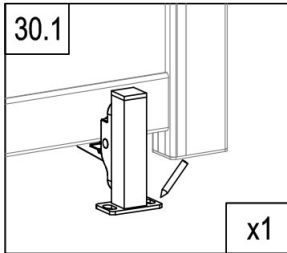
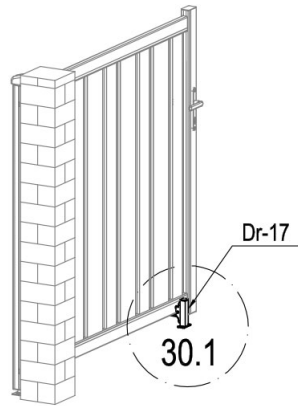
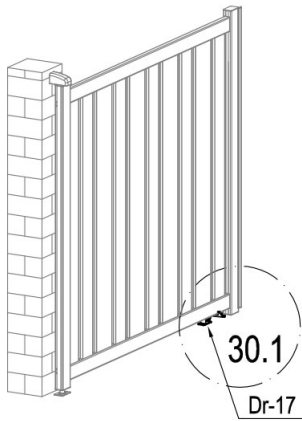
	Dr-15	2
	Dr-31	4





	Dr-16	1
	RA-BE34	3
	RA-BE35	3



CASANOVO



	RA-BE32	4
	Dr-17	2