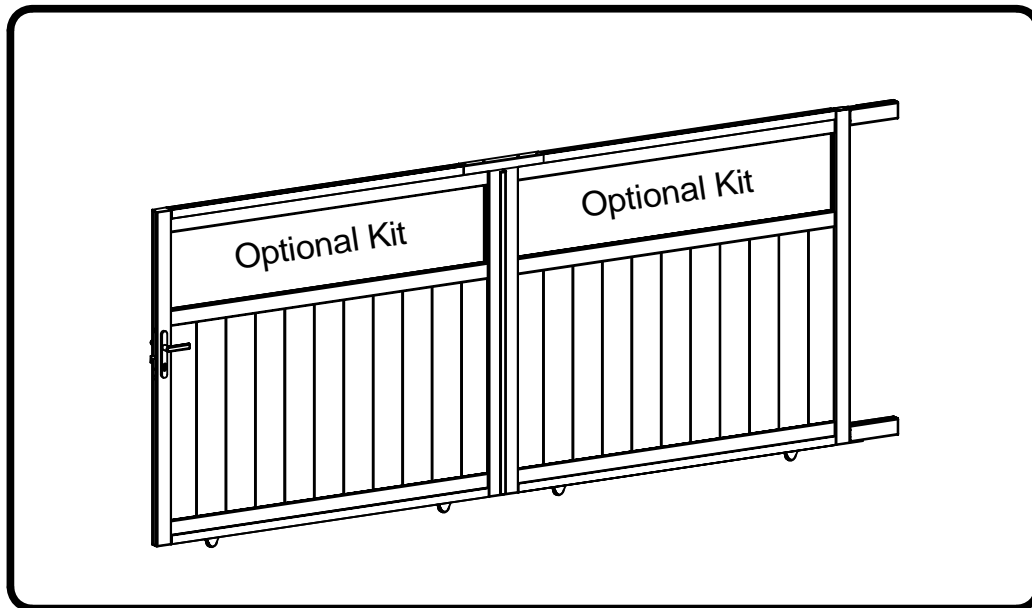


# CASANOVO

DO 370C160



7-8H



x2

COM-000331 [x1]

COM-000332 [x1]

COM-000333 [x1]

COM-000\*DESIGN\* [x1]

\*Selon modèle

FR

EN

ES

DE

IT

NL

PL

PT

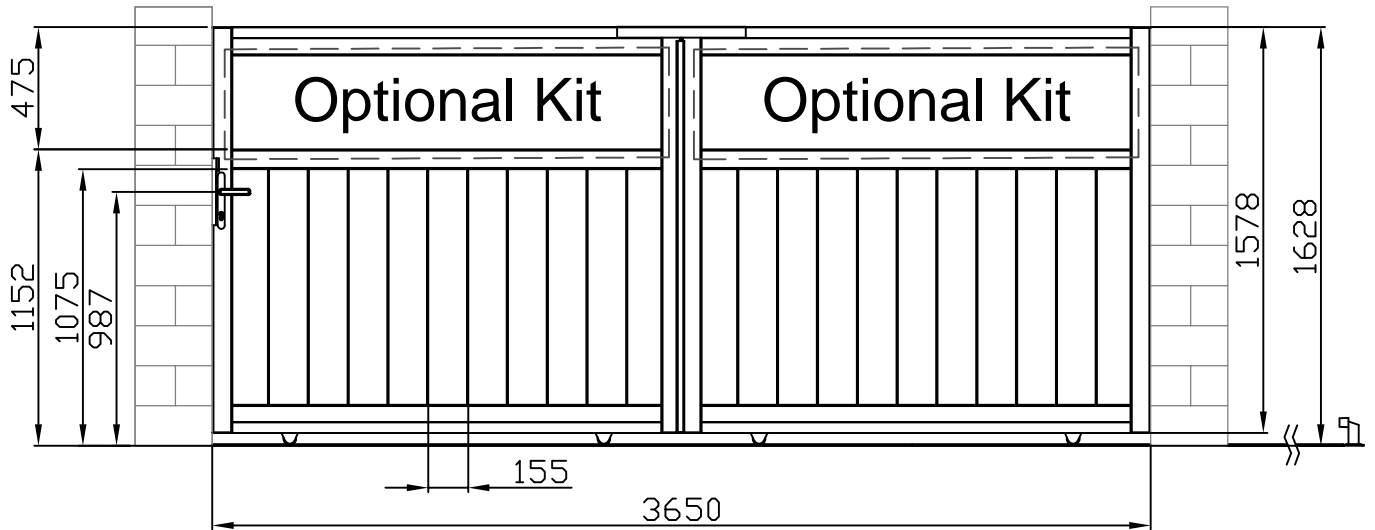
FI

SE

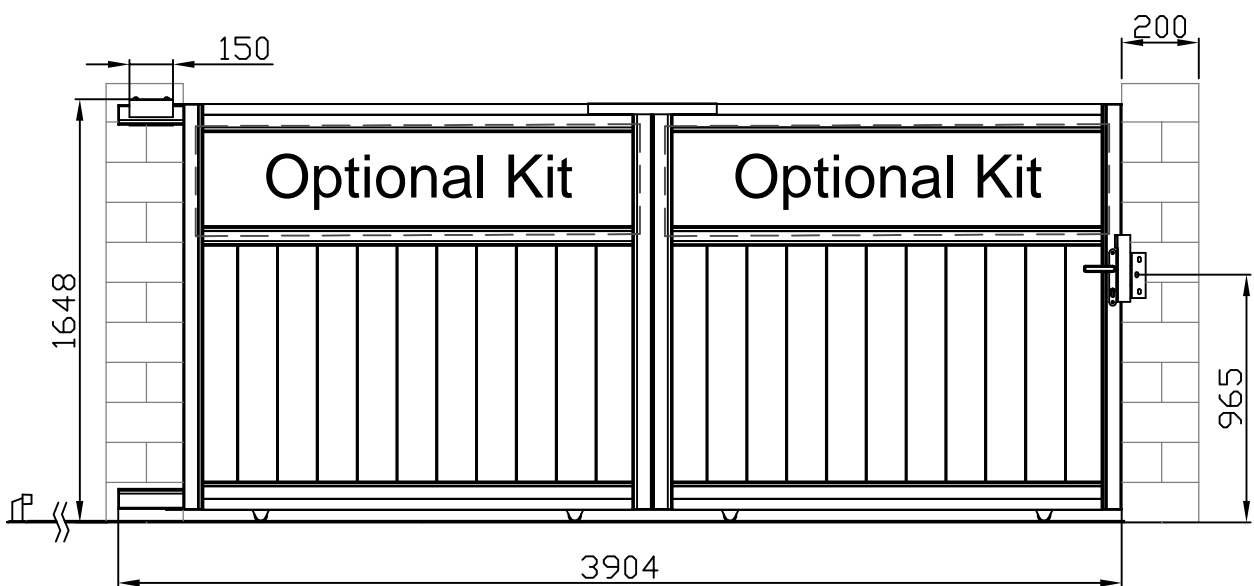
DK

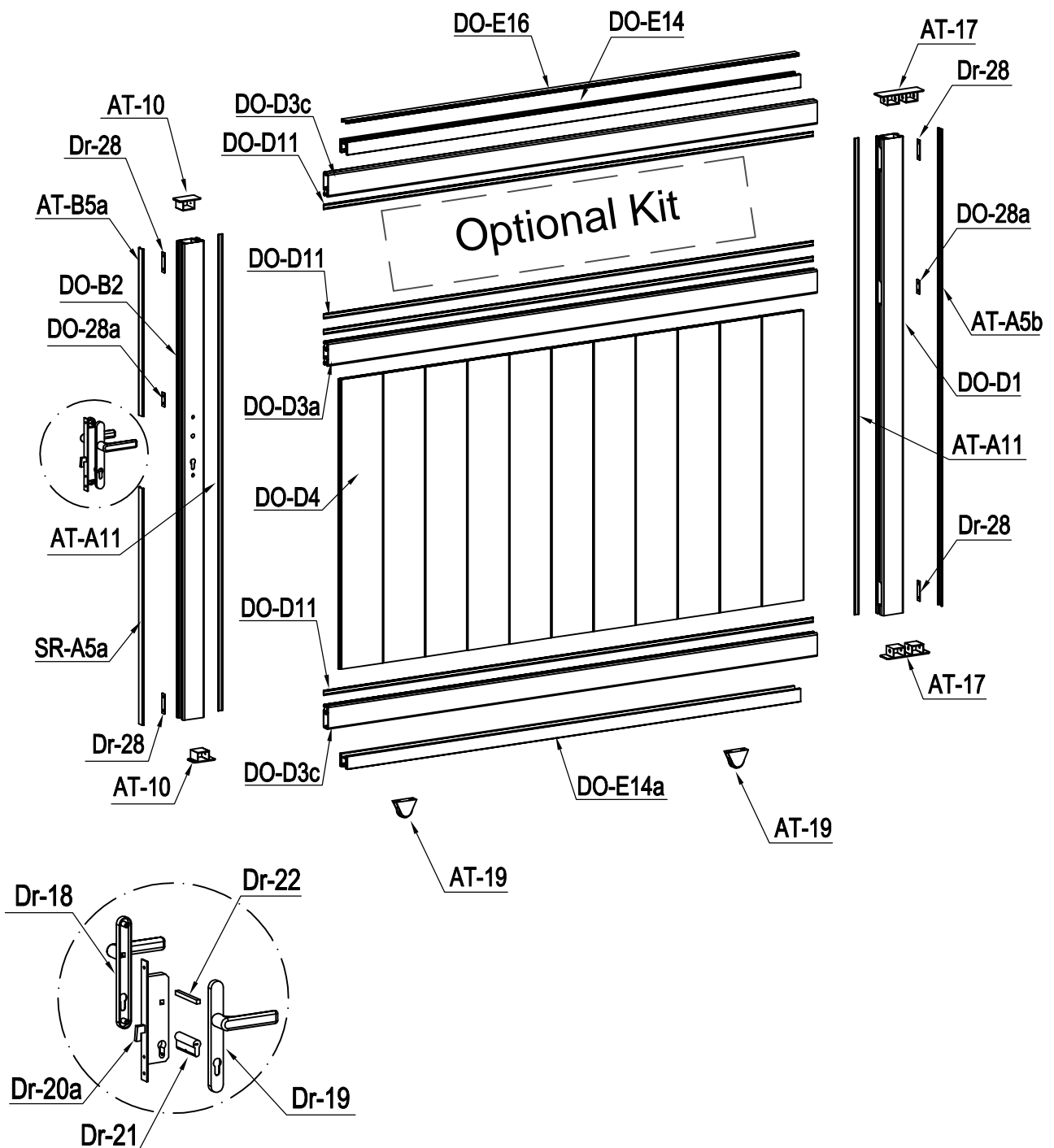
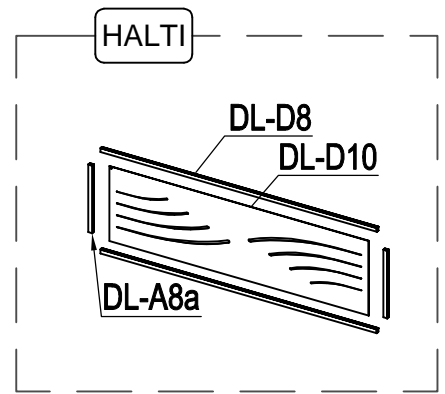
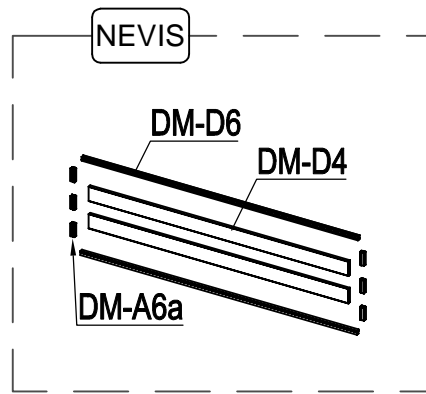
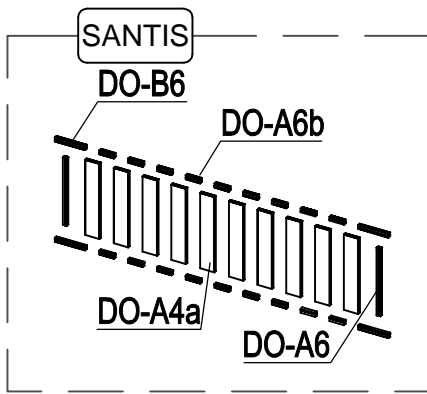


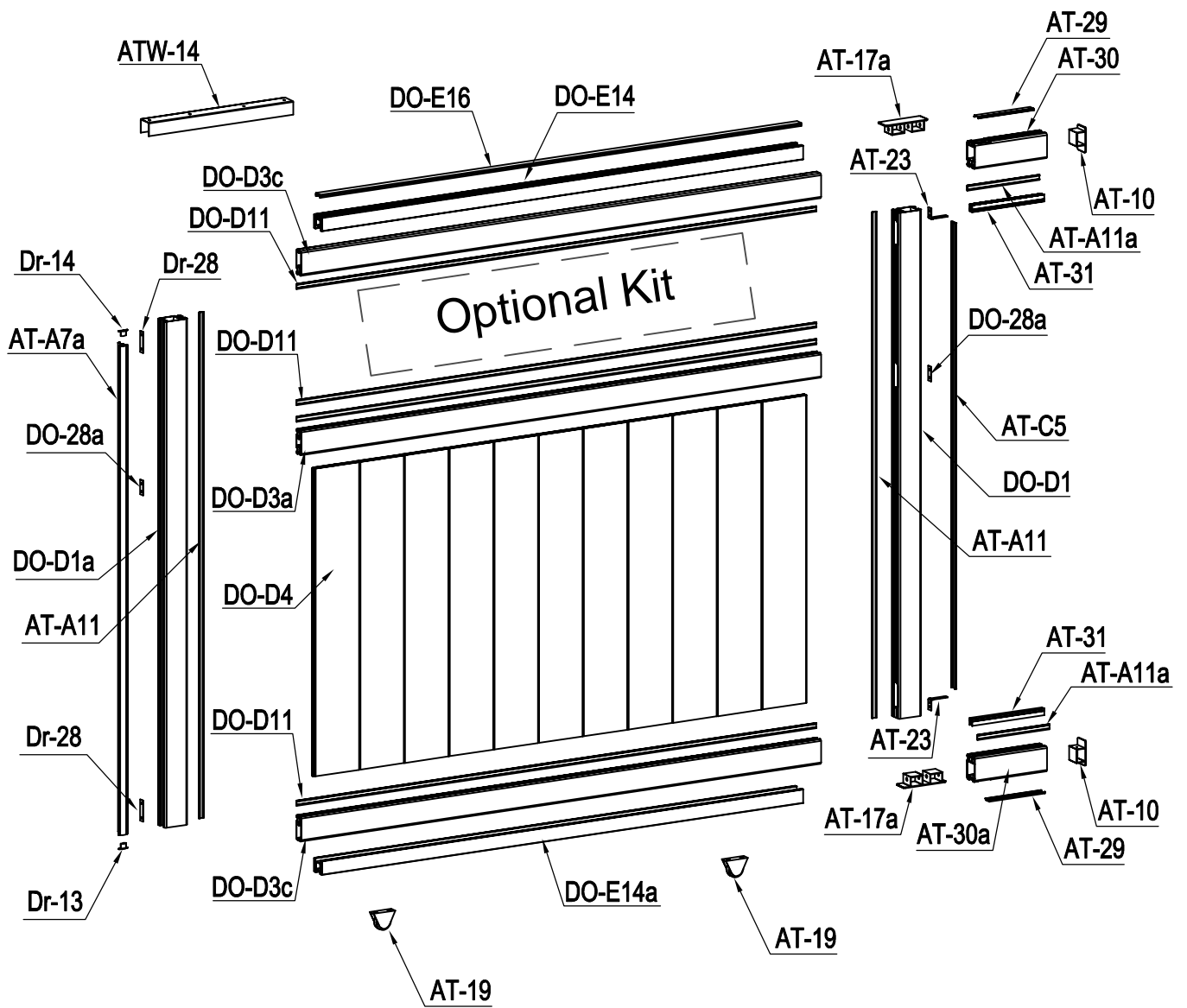
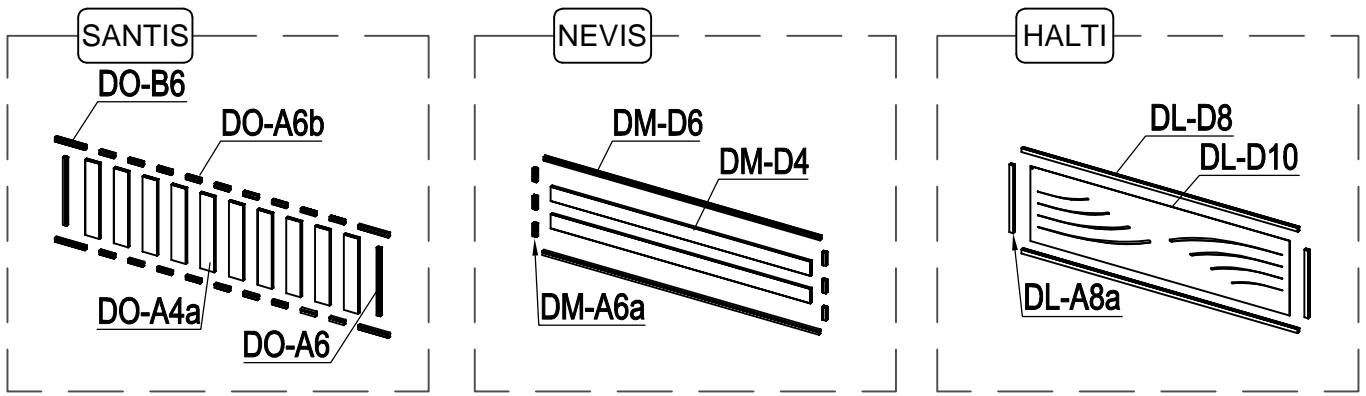
**Ext.**

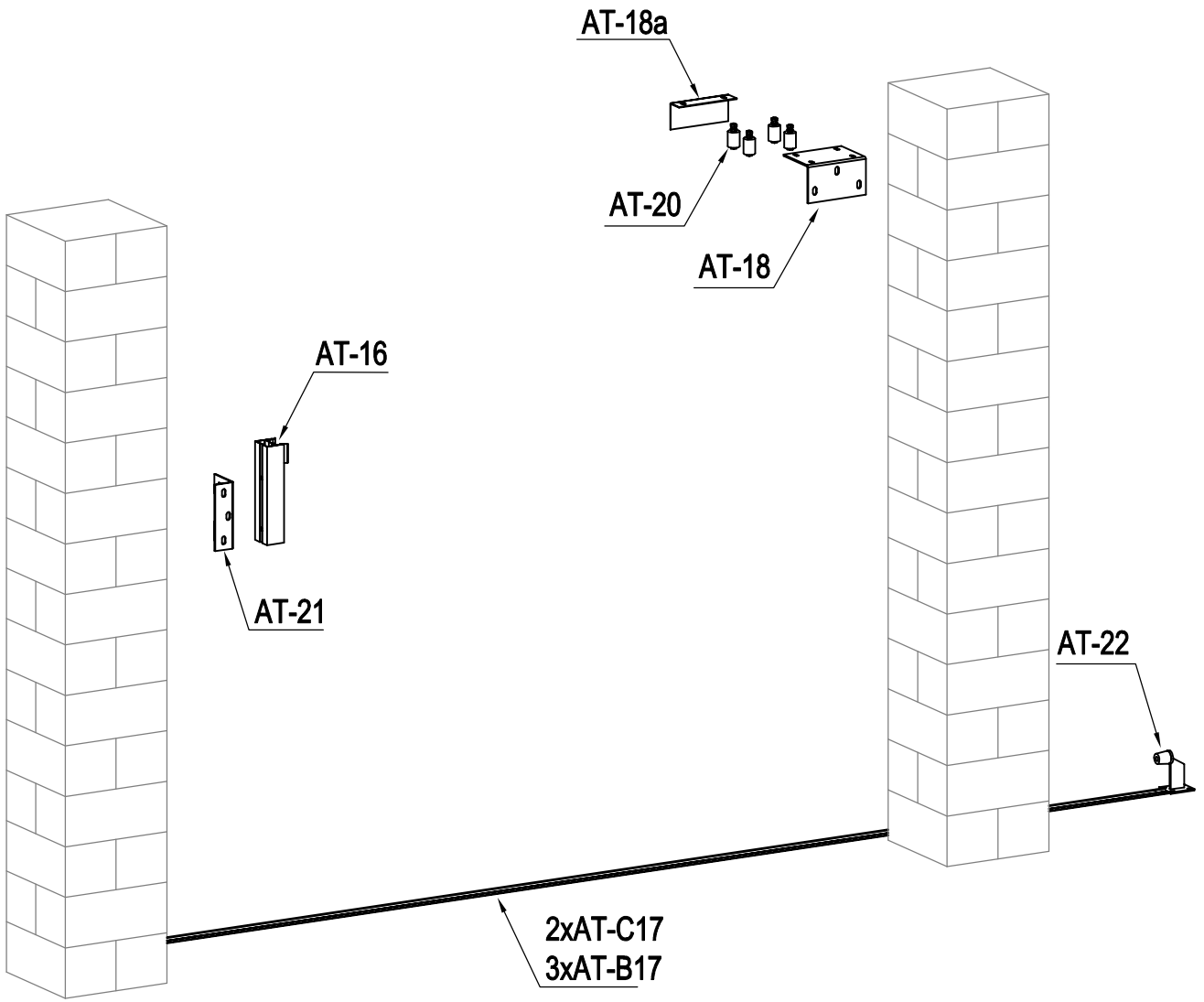


**Int.**

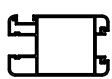





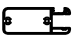



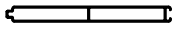












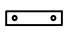
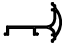
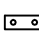

























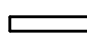
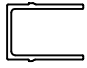




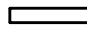
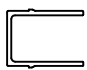





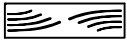


# PARTS LIST

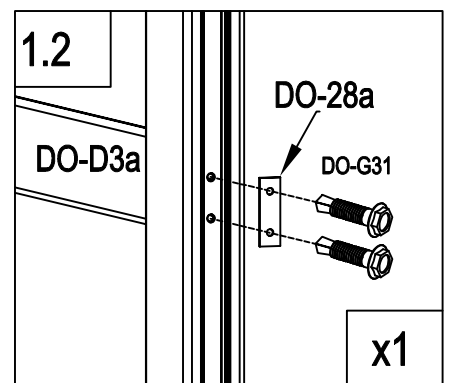
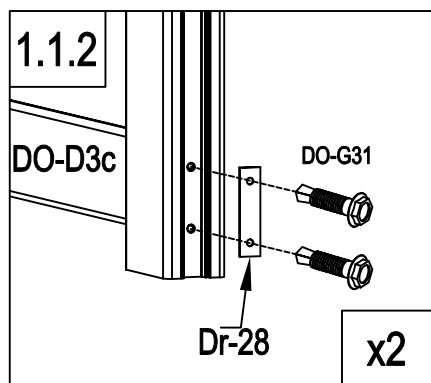
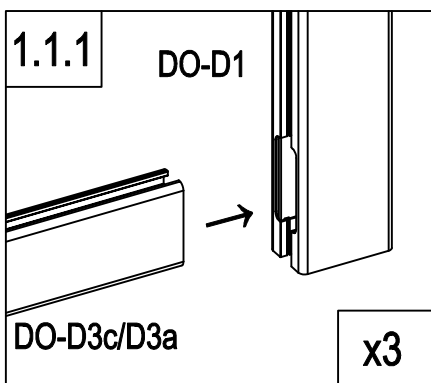
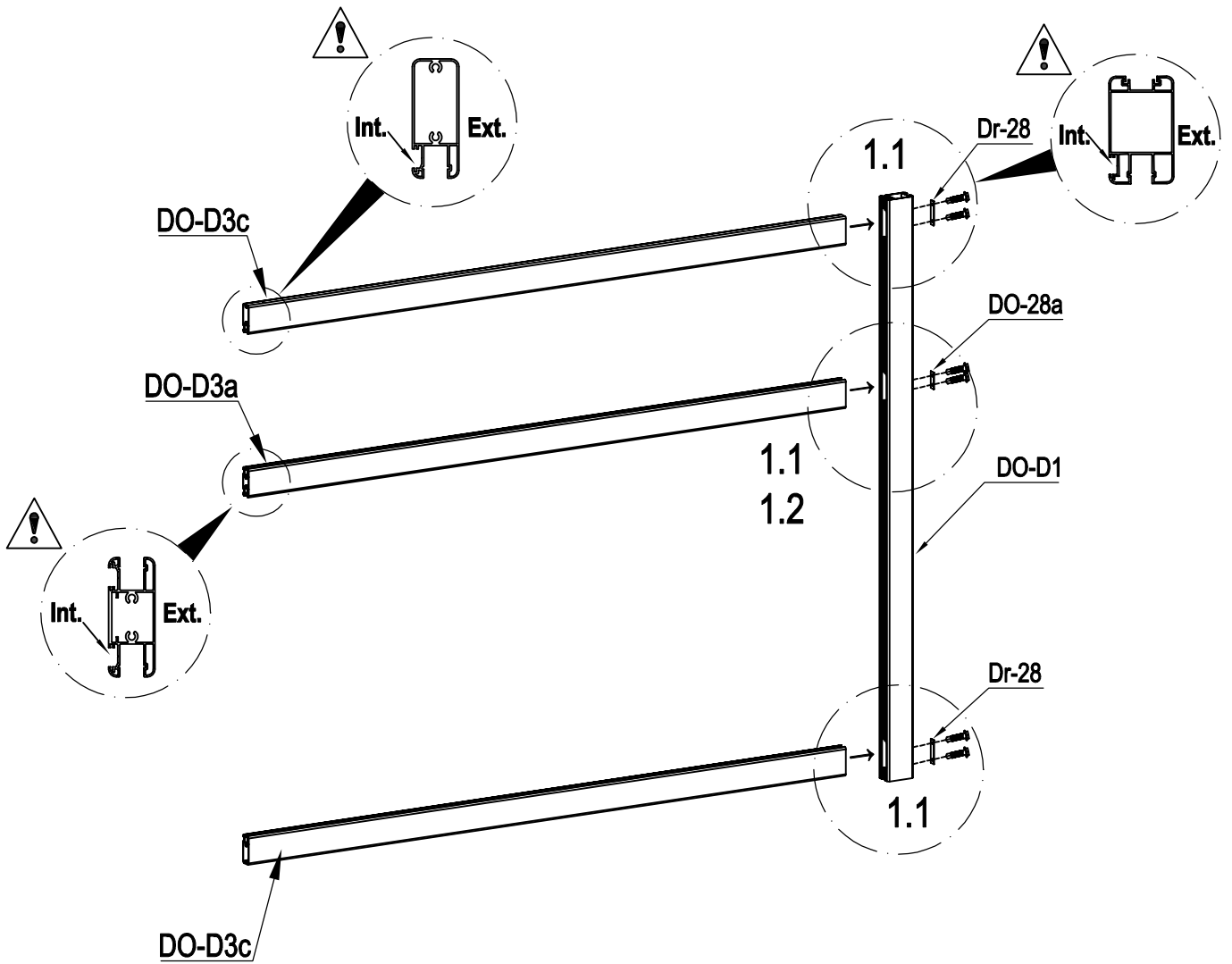
IMAGE	NO.	L.(mm)	QTY	IMAGE	NO.	L.(mm)	QTY
	DO-D1	1573	2		AT-18		1
	DO-D1a	1573	1		AT-18a		1
	DO-B2	1573	1		ATW-14		1
	AT-30	250	1		AT-19		4
	AT-30a	250	1		AT-20		4
	DO-D3c	1802	4		AT-21		1
	DO-D3a	1802	2		AT-22		1
	DO-D4	957	22		AT-23		2
	AT-A5b	1573	1		Dr-18		1
	AT-C5	1448	1		Dr-19		1
	AT-B5a	550.5	1		Dr-20a		1
	SR-A5a	782	1		Dr-21		1
	AT-29	193	2		Dr-22		1
	AT-A11	1573	4		Dr-25		1
	AT-A11a	250	2		Dr-25a		2
	DO-D11	1802	8		Dr-27		2
	AT-31	250	2		Dr-28		6
	AT-A7a	1520	1		DO-28a		4
	DO-E14	1668	2		AT-22J		7
	DO-E14a	1668	2		DO-G30		4
	DO-E16	1667	2		DO-G31		40
	AT-16		1		DO-G32		16
	AT-B17	1412	3		DO-G33		10
	AT-C17	1580	2		DO-G34		50
	AT-17		2		DO-G35		50
	AT-17a		2		DO-G36		2
	AT-10		4		DO-G37		8
	Dr-13		1		DO-G38		4
	Dr-14		1				
	DO-30		8				

# PARTS LIST (Optional Kit)

<p>Com-000351</p> 	IMAGE	NO.	L.(mm)	QTY
		DO-A4a	406	20
		DO-A6	364	4
		DO-B6	163	8
		DO-A6b	77.5	36
	DO-35		40	

<p>Com-000354</p> 	IMAGE	NO.	L.(mm)	QTY
		DM-D4	1710	4
		DM-D6	1800	4
		DM-A6a	69	12
	DO-32		8	

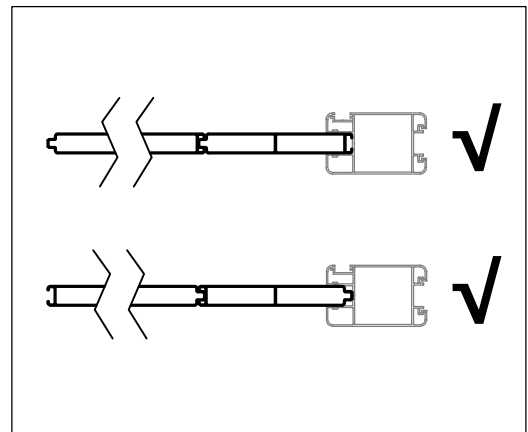
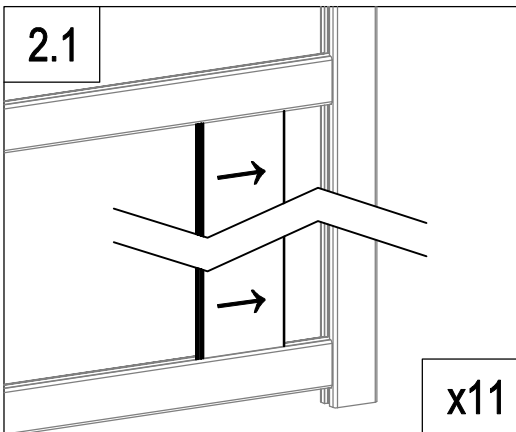
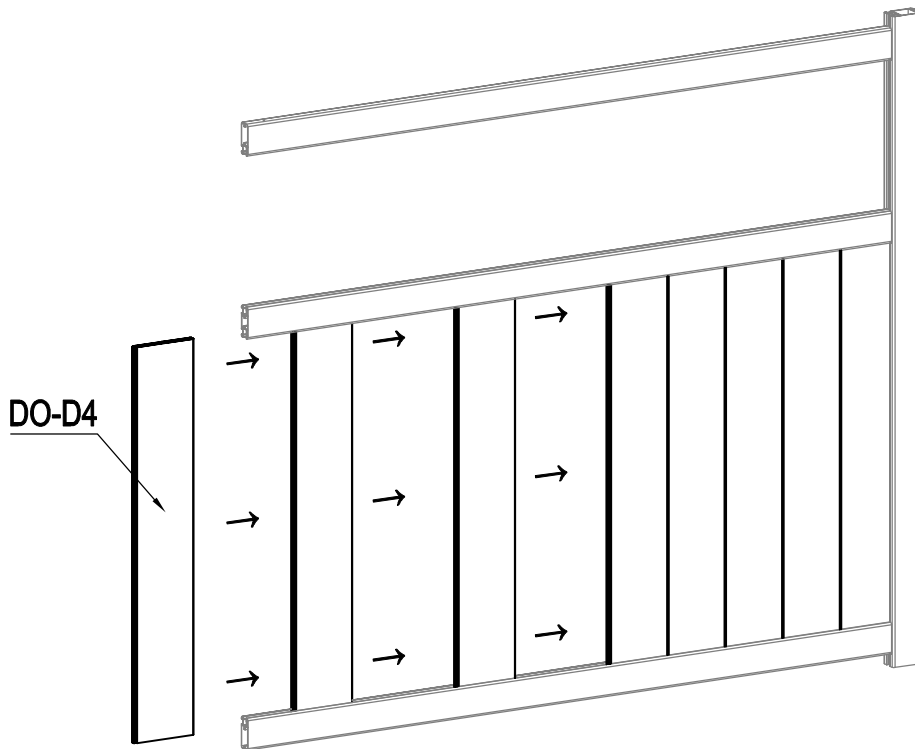
<p>Com-000357</p> 	IMAGE	NO.	L.(mm)	QTY
		DL-D8	1800	4
		DL-A8a	364	4
		DL-D10	1707	2
		DO-32		8
	DO-35		24	

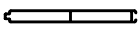


	DO-D1	1
	DO-D3c	2
	DO-D3a	1

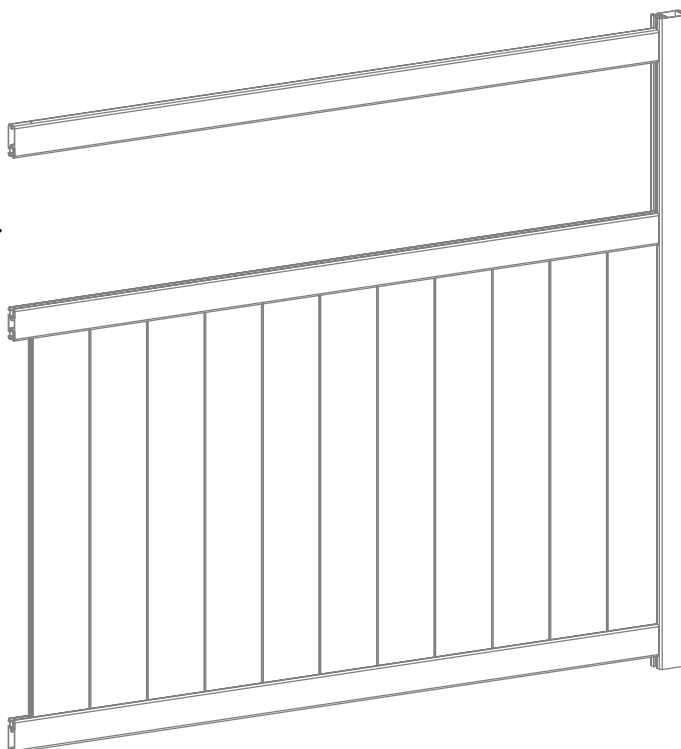
	Dr-28	2
	DO-28a	1
	DO-G31	6





	DO-D4	11
---	-------	----

Optional Kit



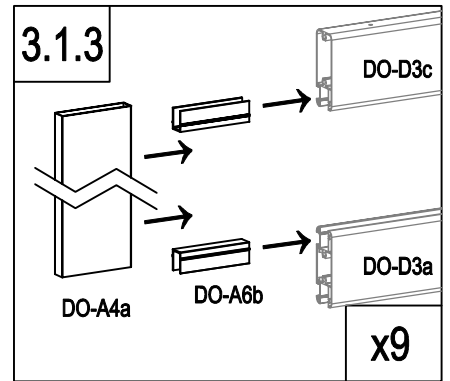
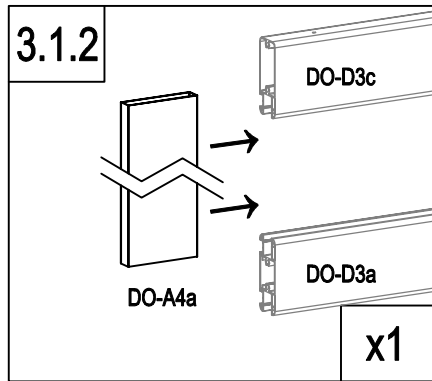
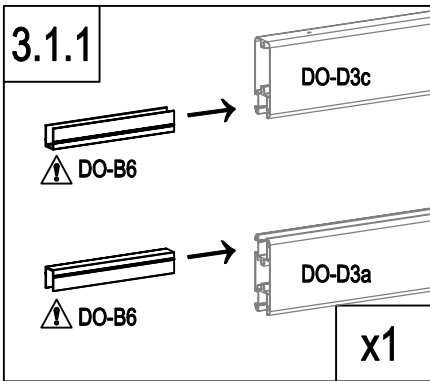
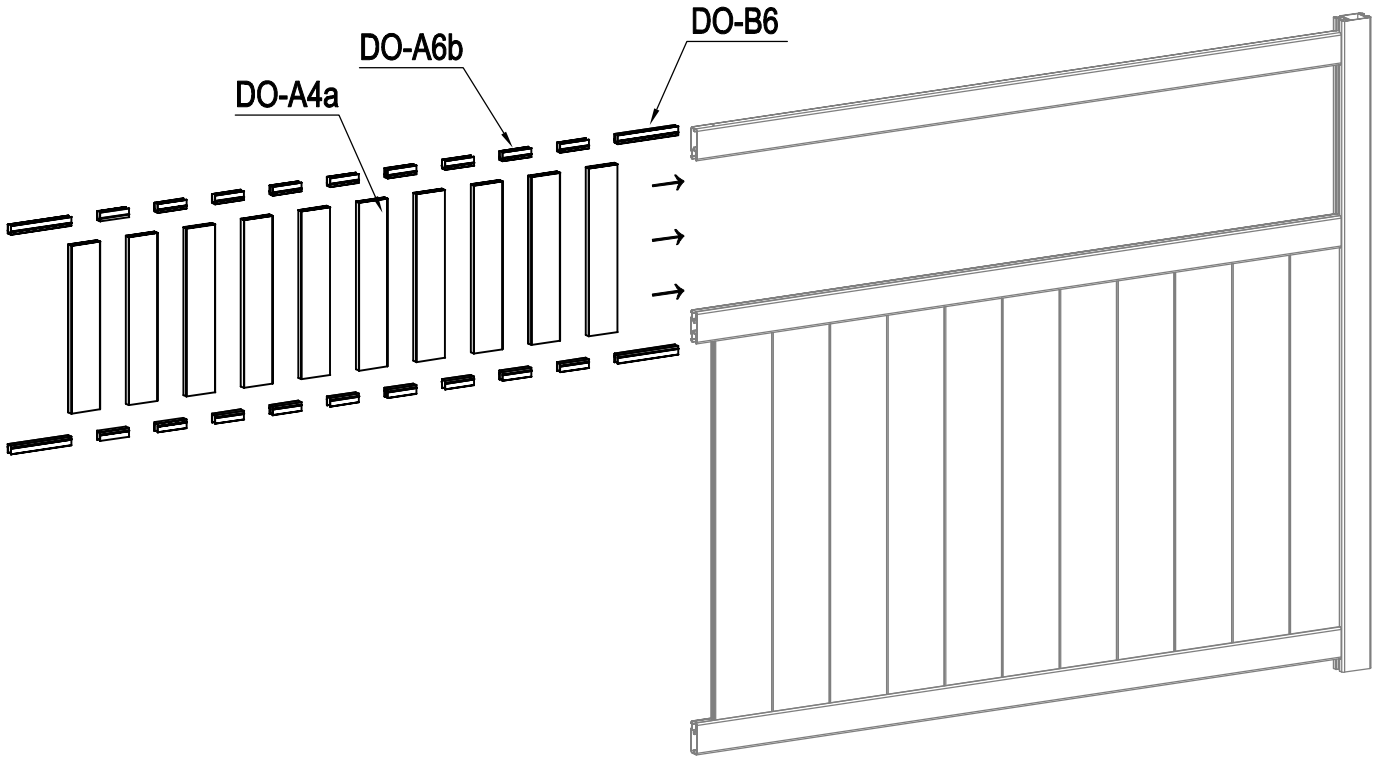
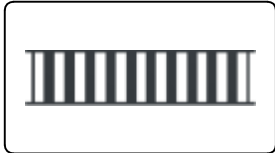
P 4~7

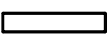



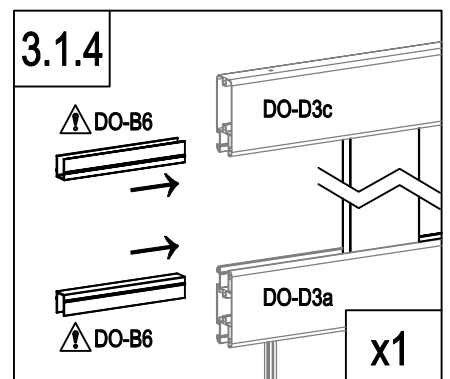
P 8~11

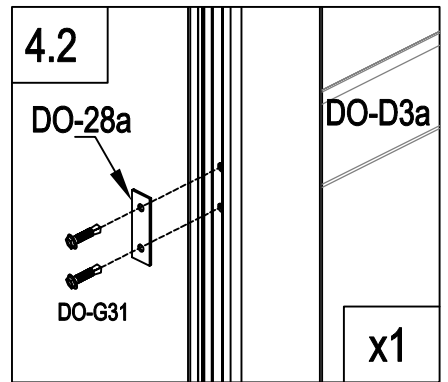
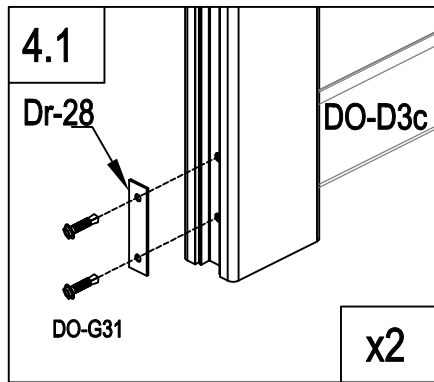
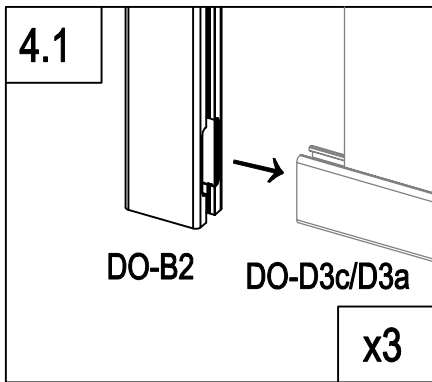
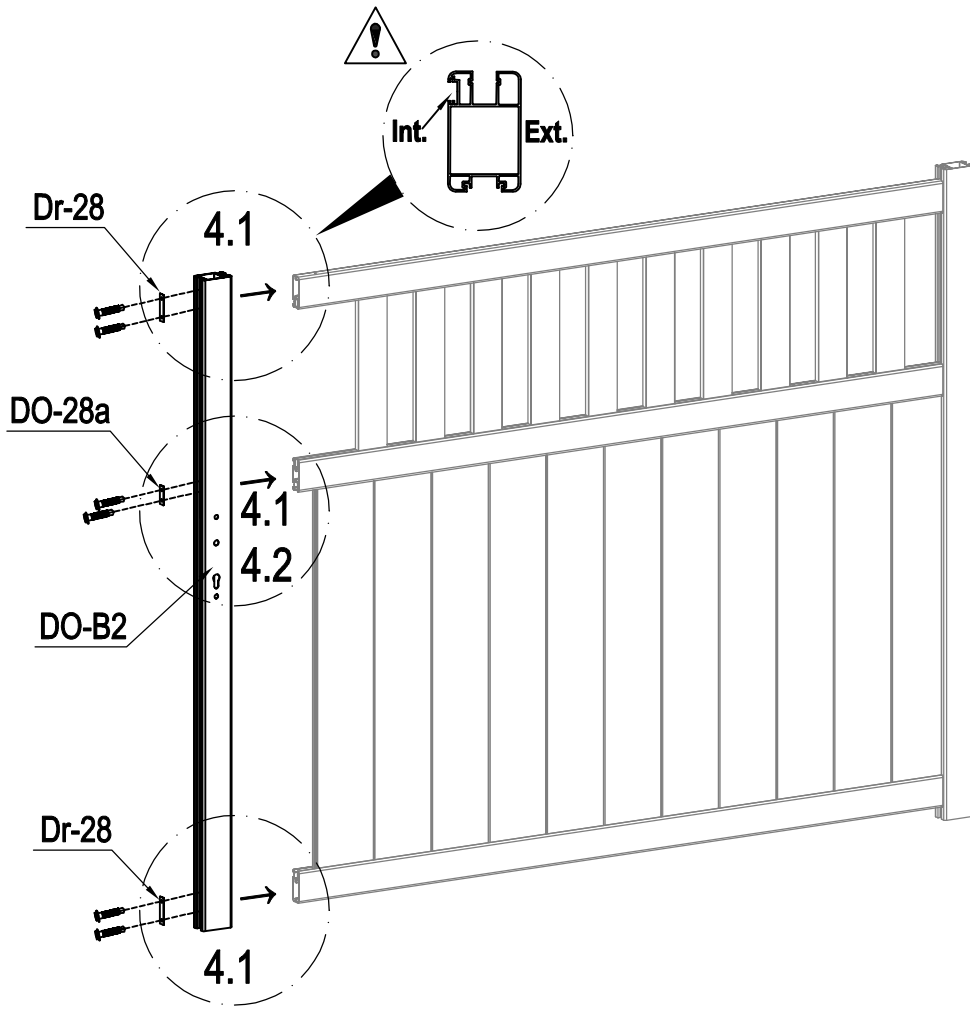
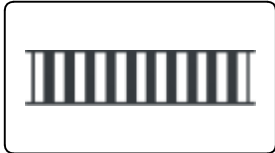


P 12~14

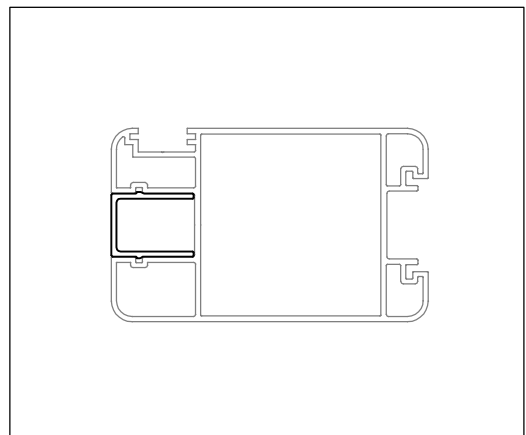
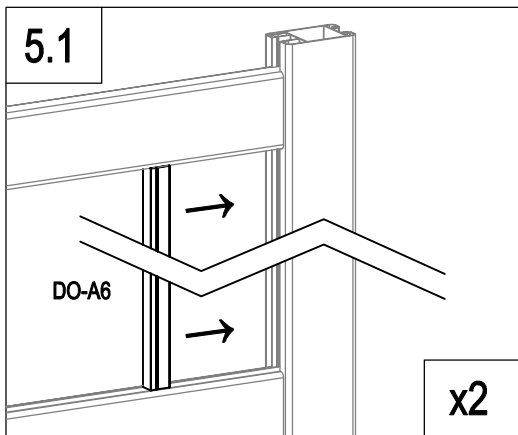
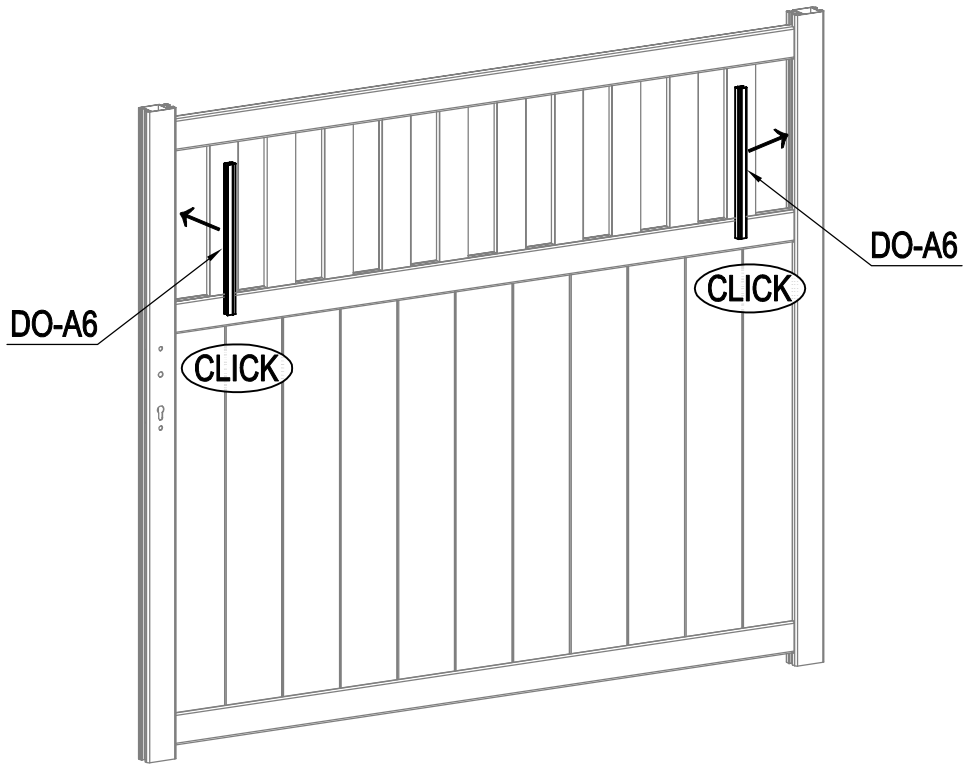
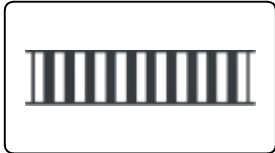



	DO-A4a	406mm	10
	DO-B6	163mm	4
	DO-A6b	77.5mm	18

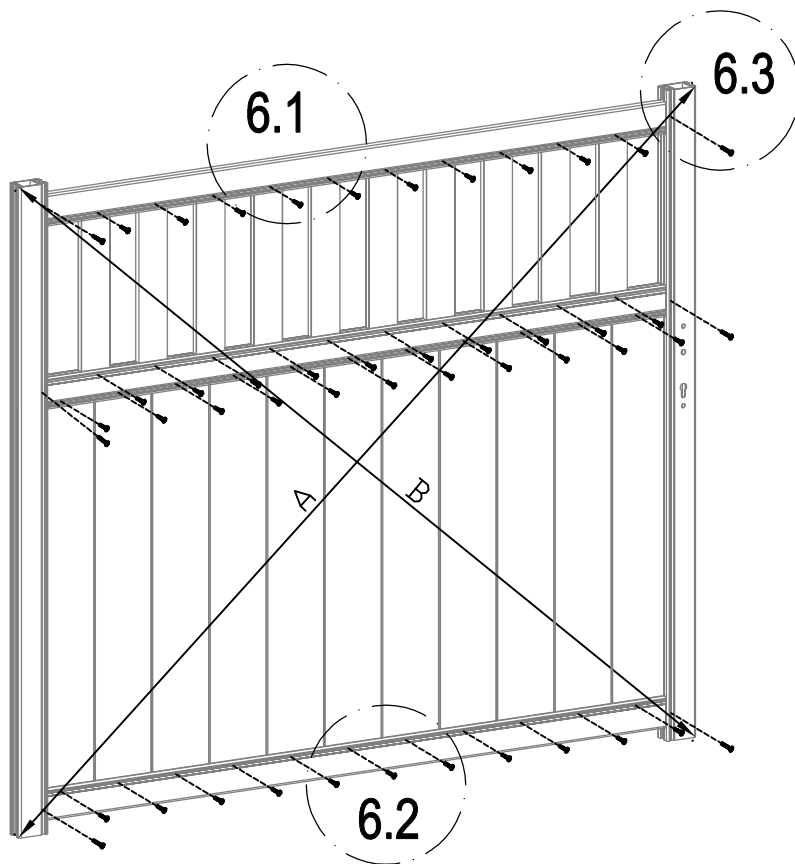
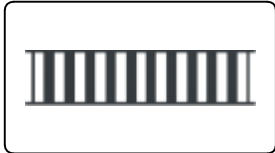




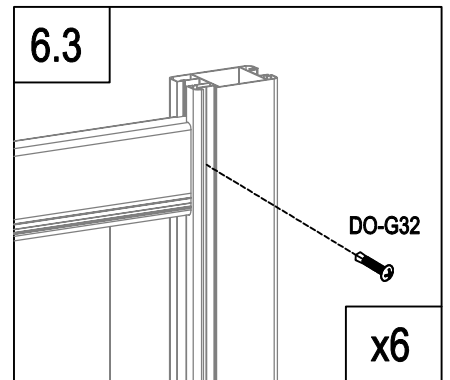
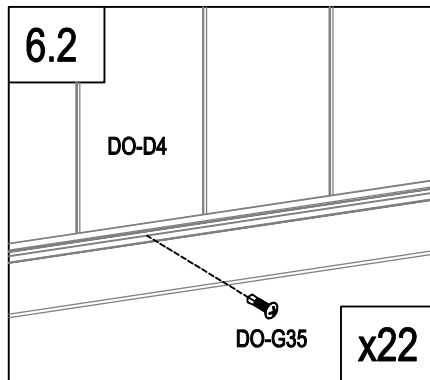
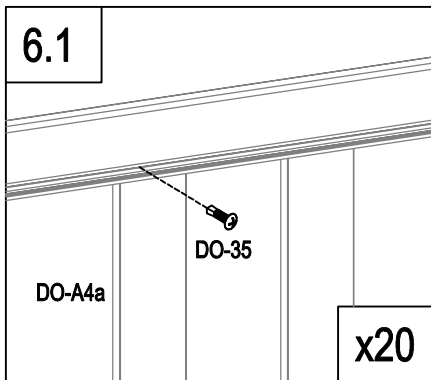
	DO-B2	1
	Dr-28	2
	DO-28a	1
	DO-G31	6



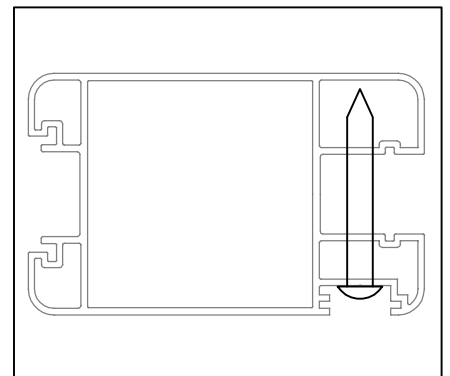
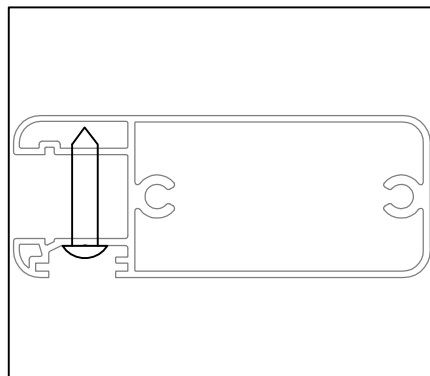
	DO-A6	2
---	-------	---

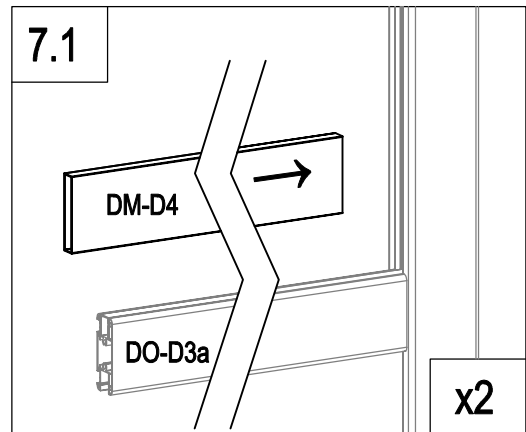
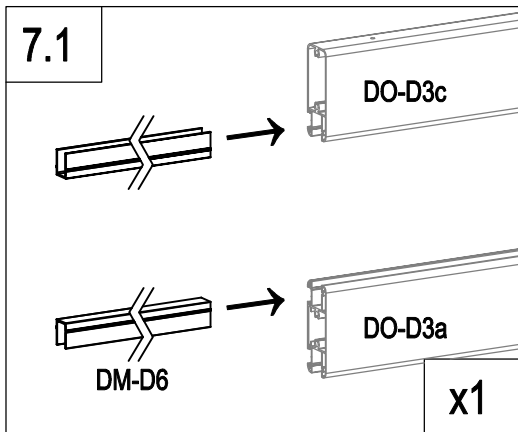
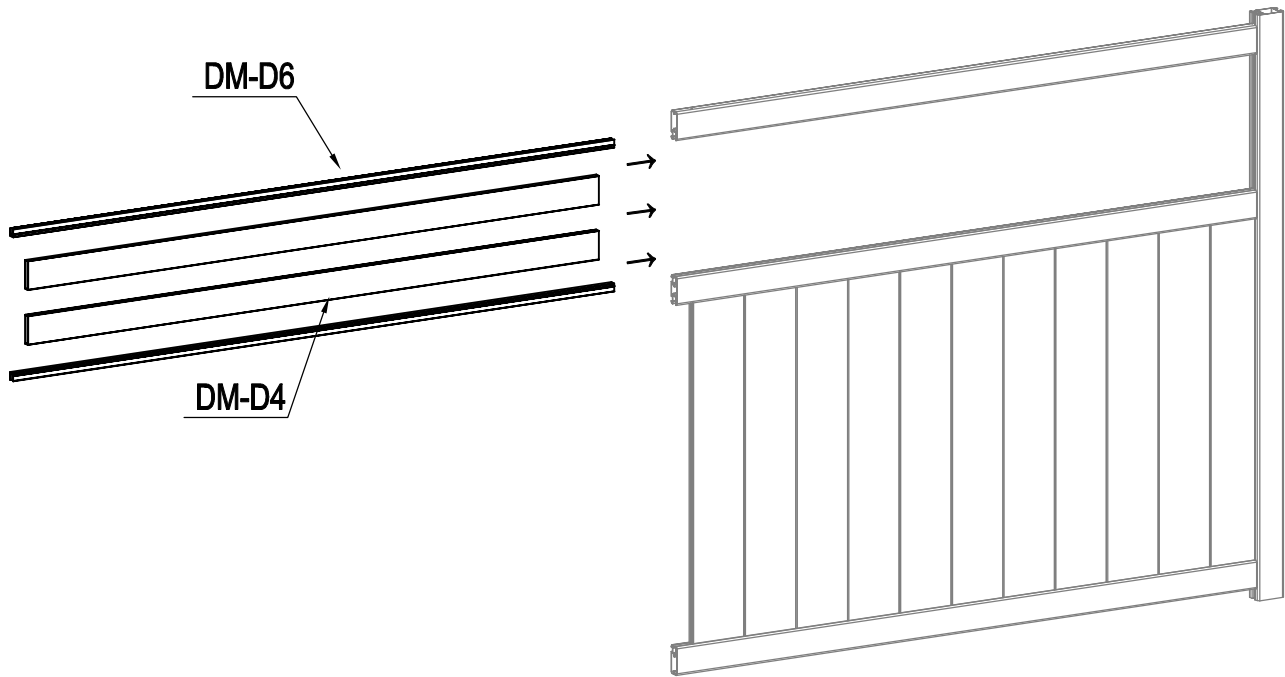


⚠ A=B

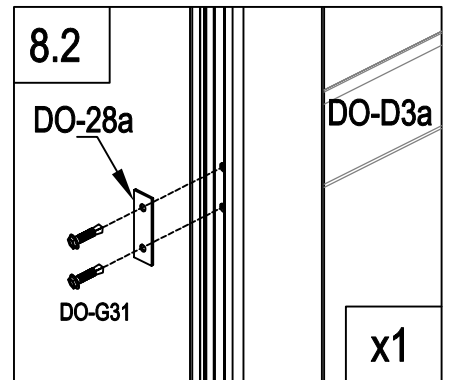
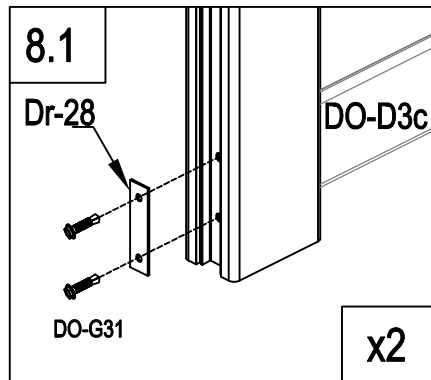
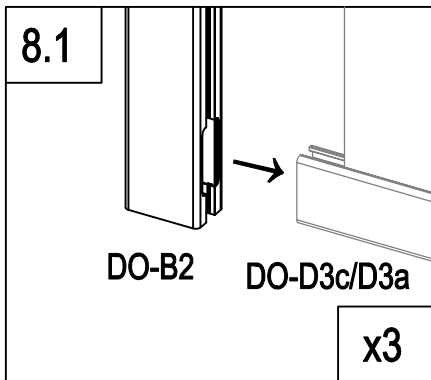
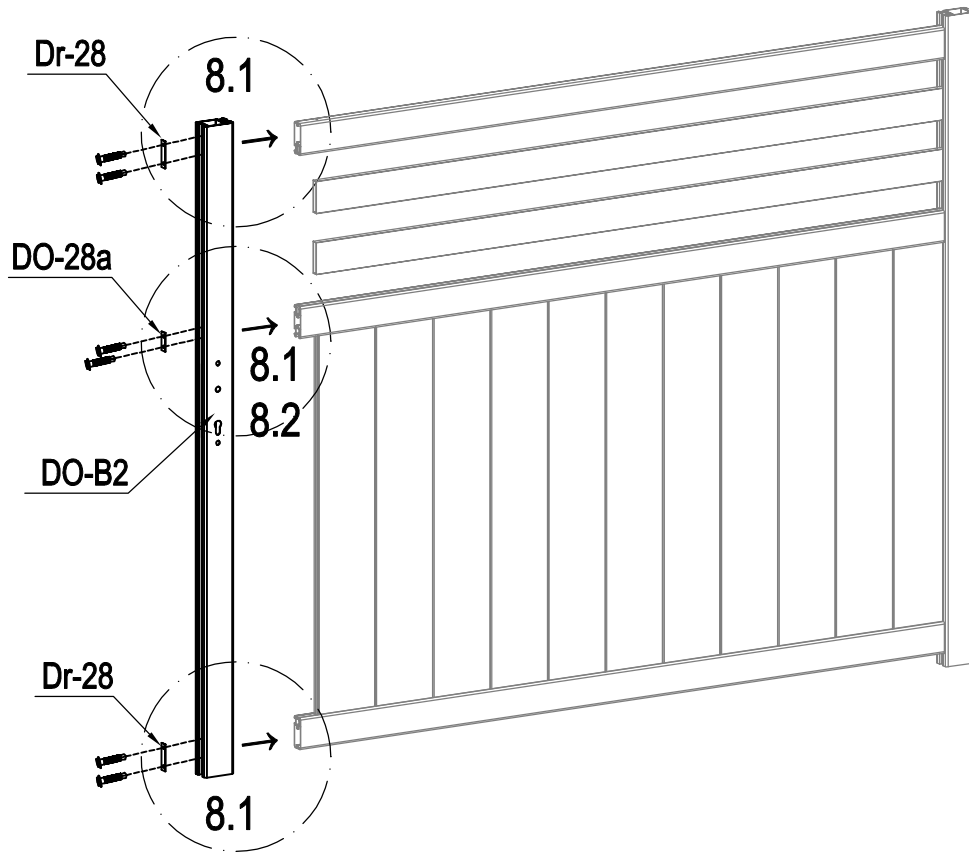


	DO-35	20
	DO-G35	22
	DO-G32	6



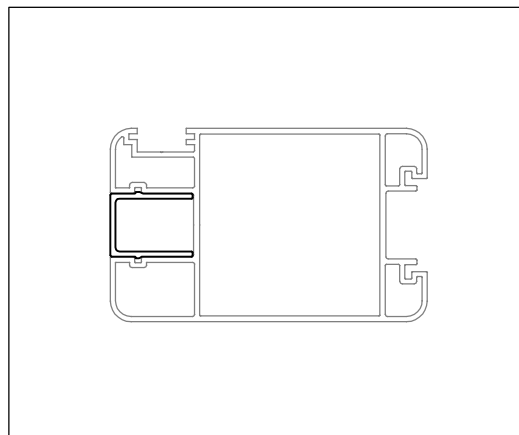
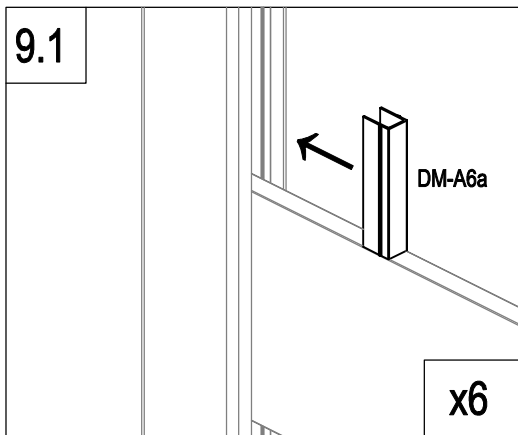
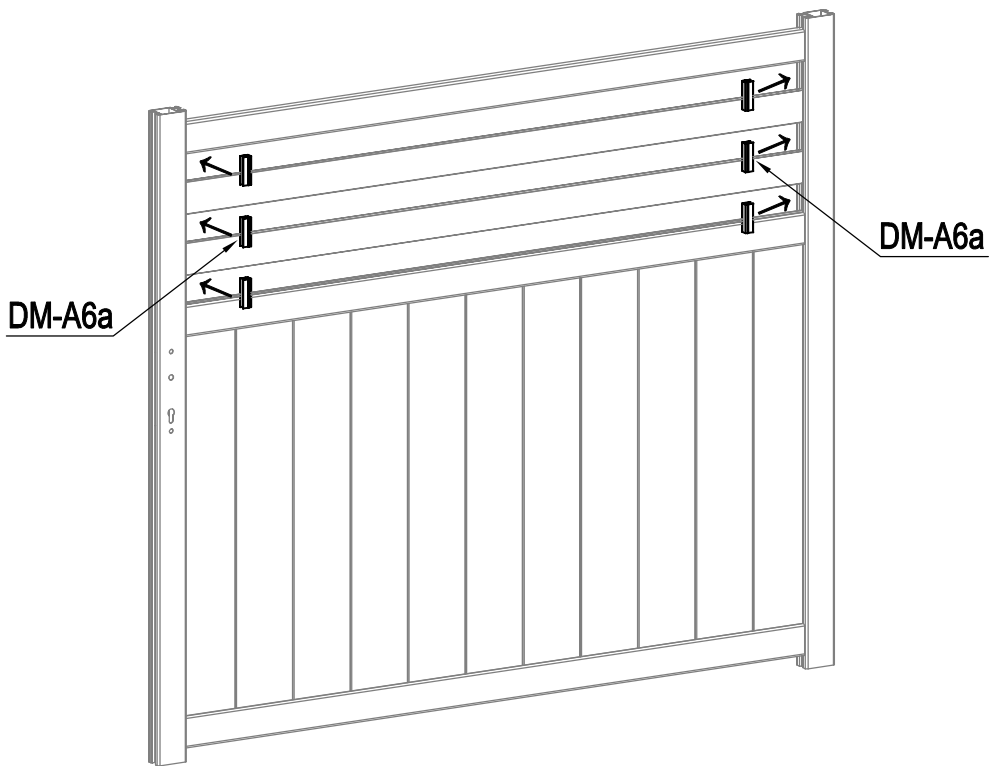


	DM-D4	2
	DM-D6	2

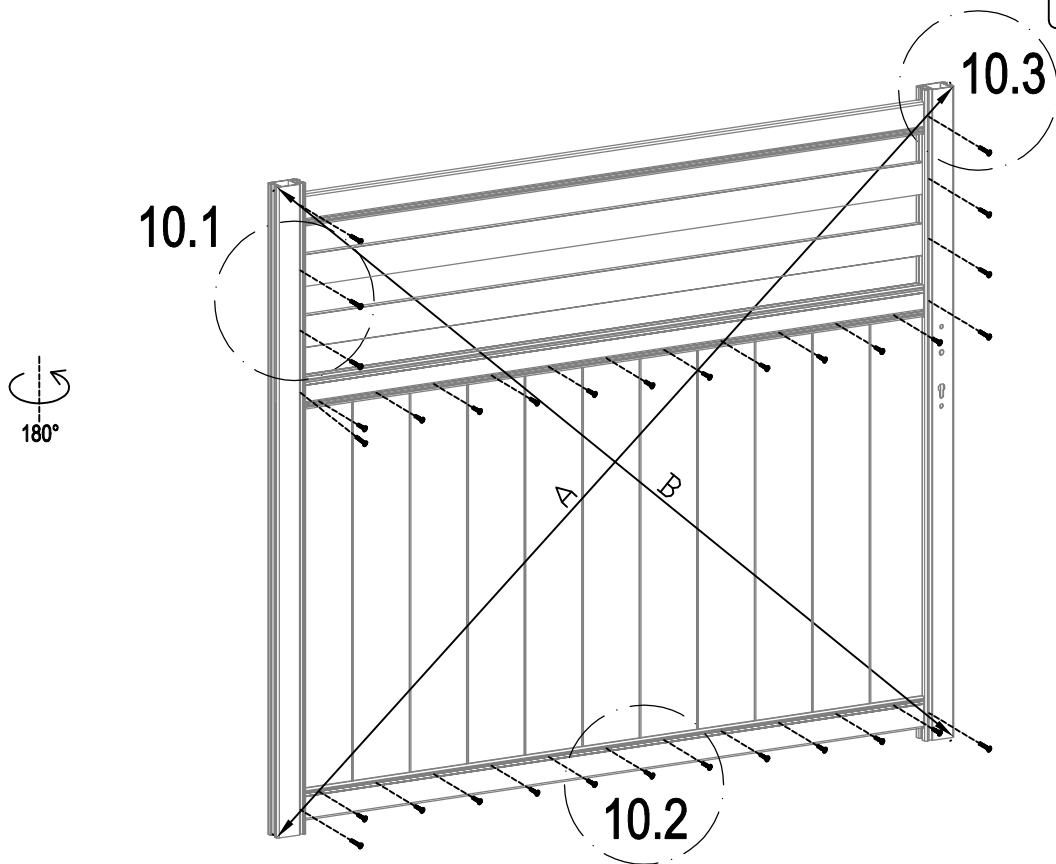


	DO-B2	1
	Dr-28	2
	DO-28a	1
	DO-G31	6

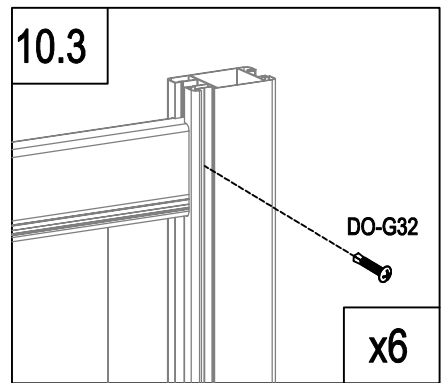
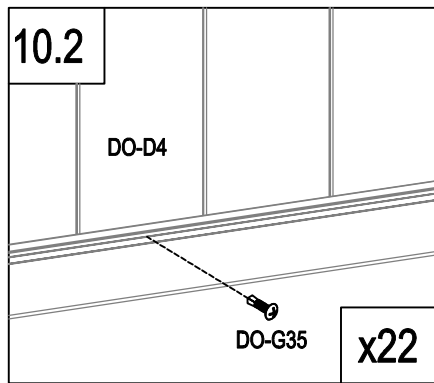
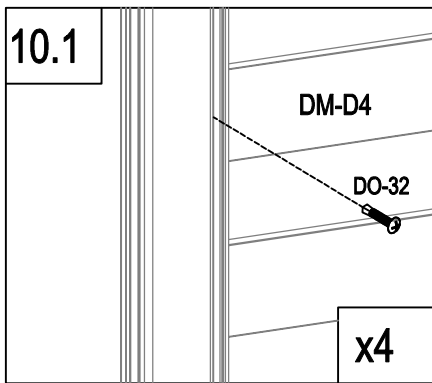




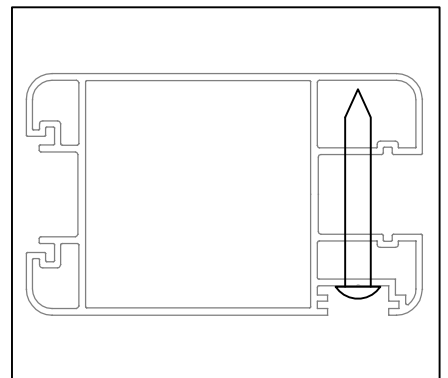
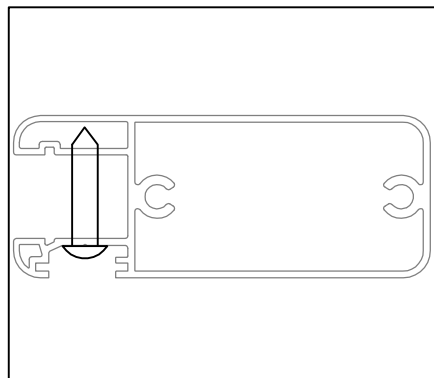
	DM-A6a	6
---	--------	---

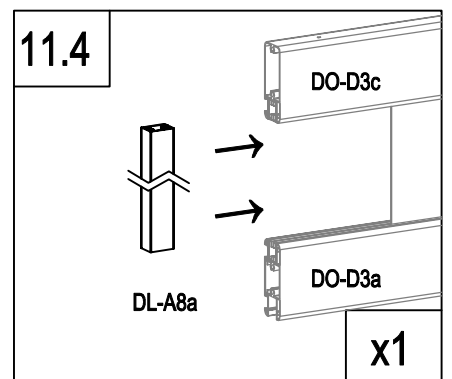
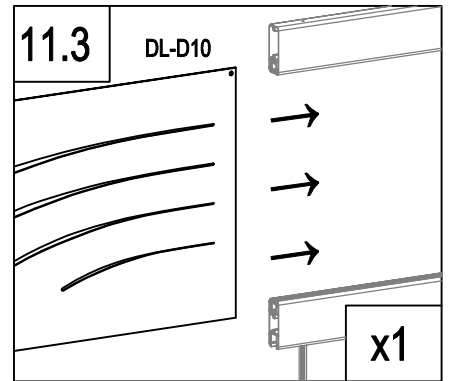
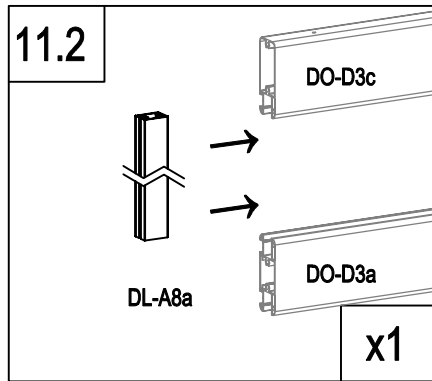
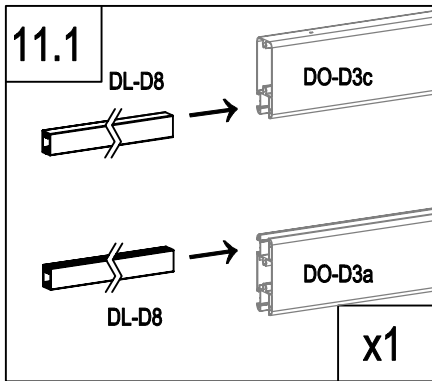
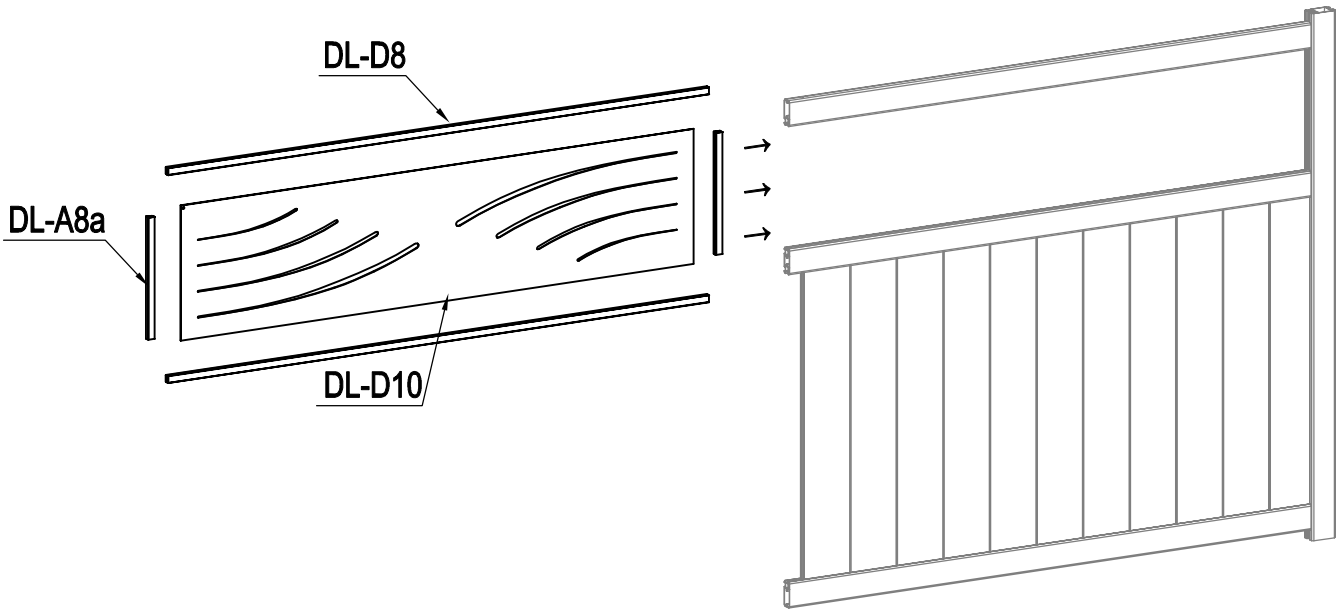


A=B

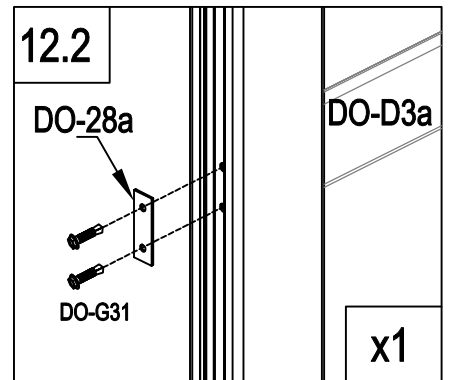
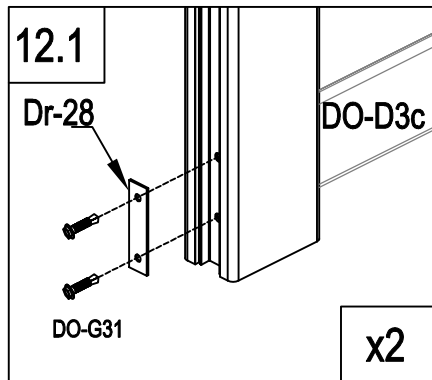
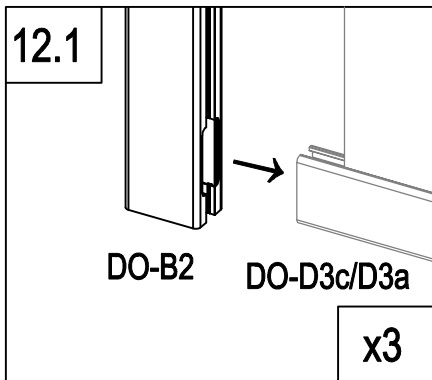
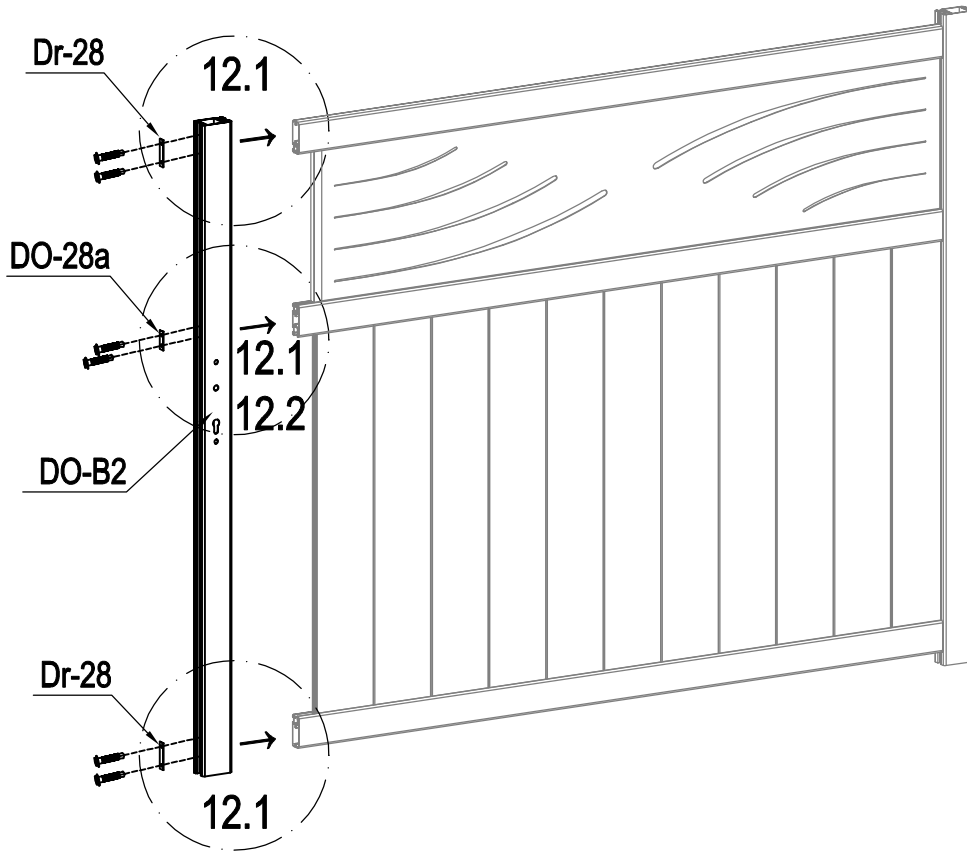


	DO-32	4
	DO-G35	22
	DO-G32	6

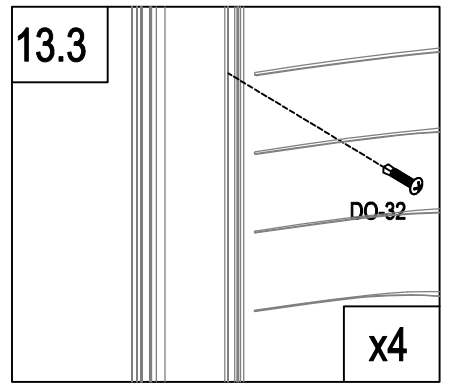
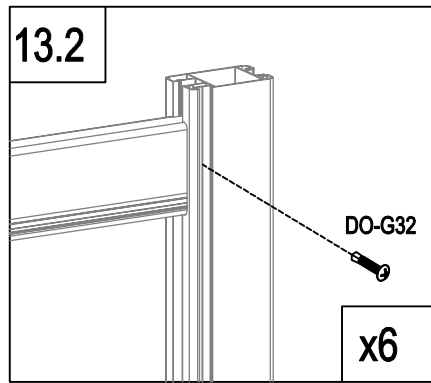
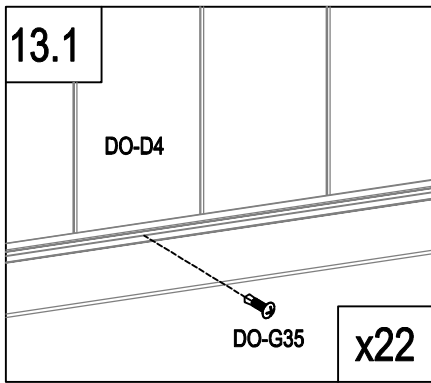
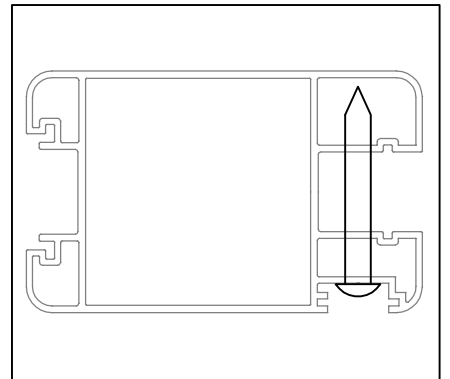
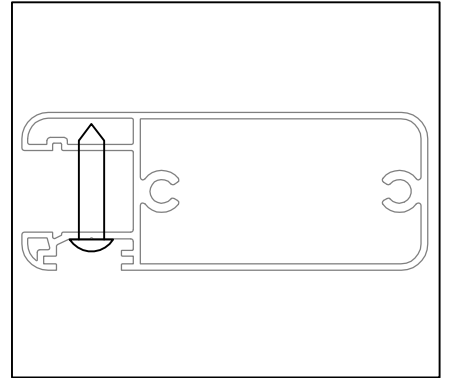
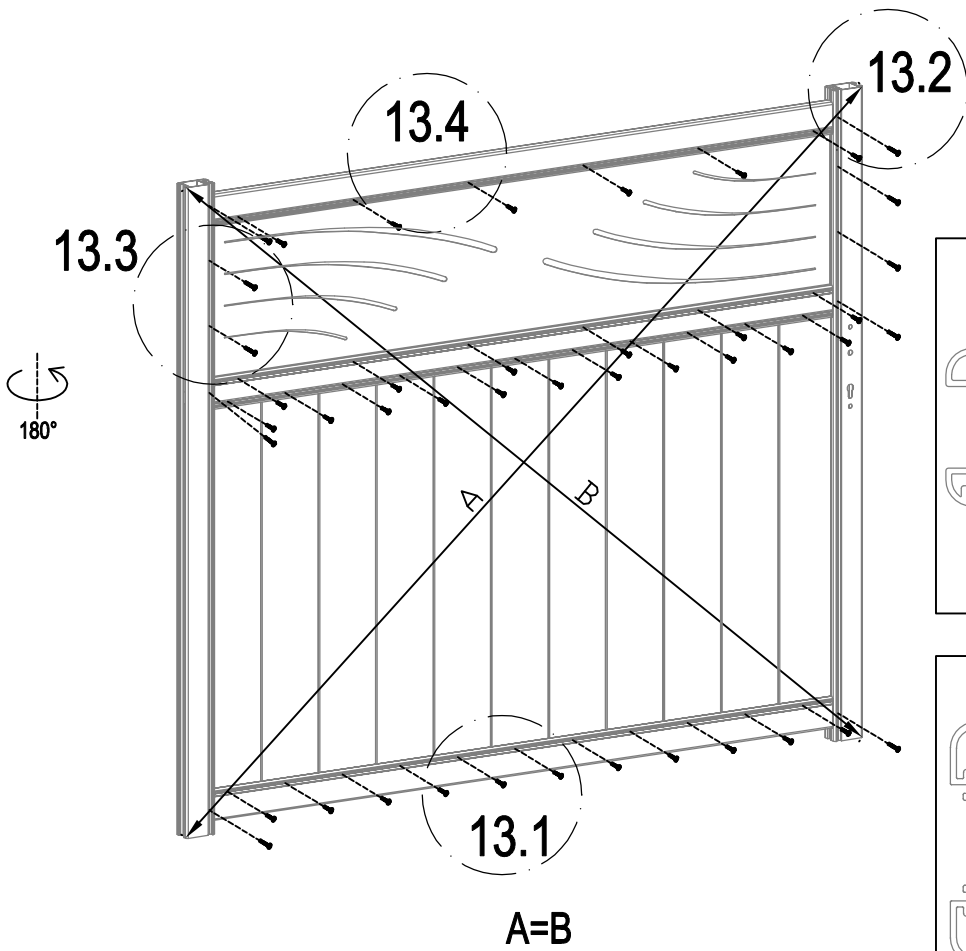




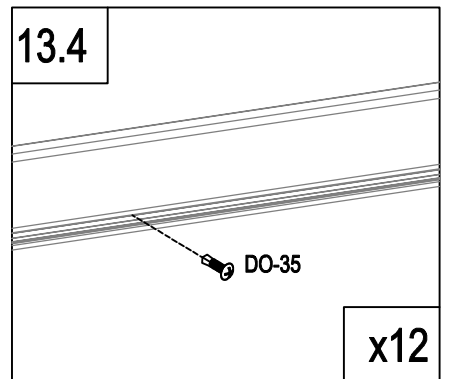
	DL-D10	1
	DL-D8	2
	DL-A8a	2

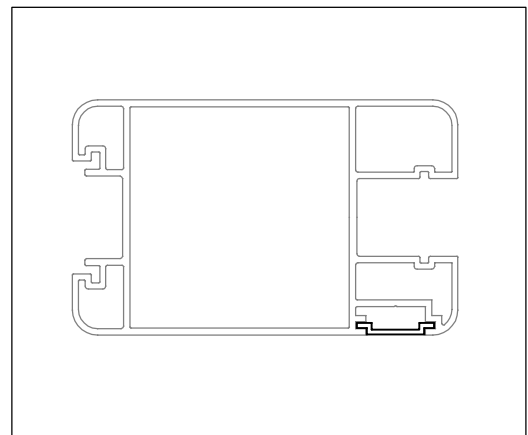
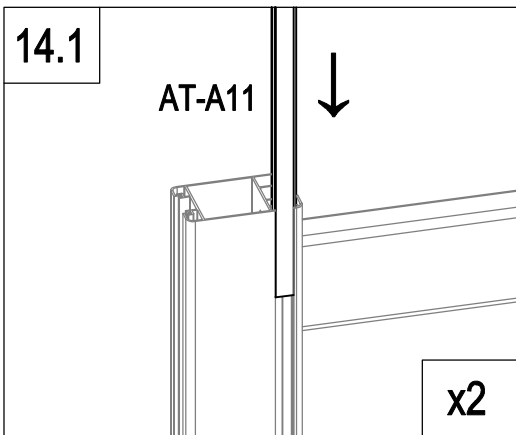
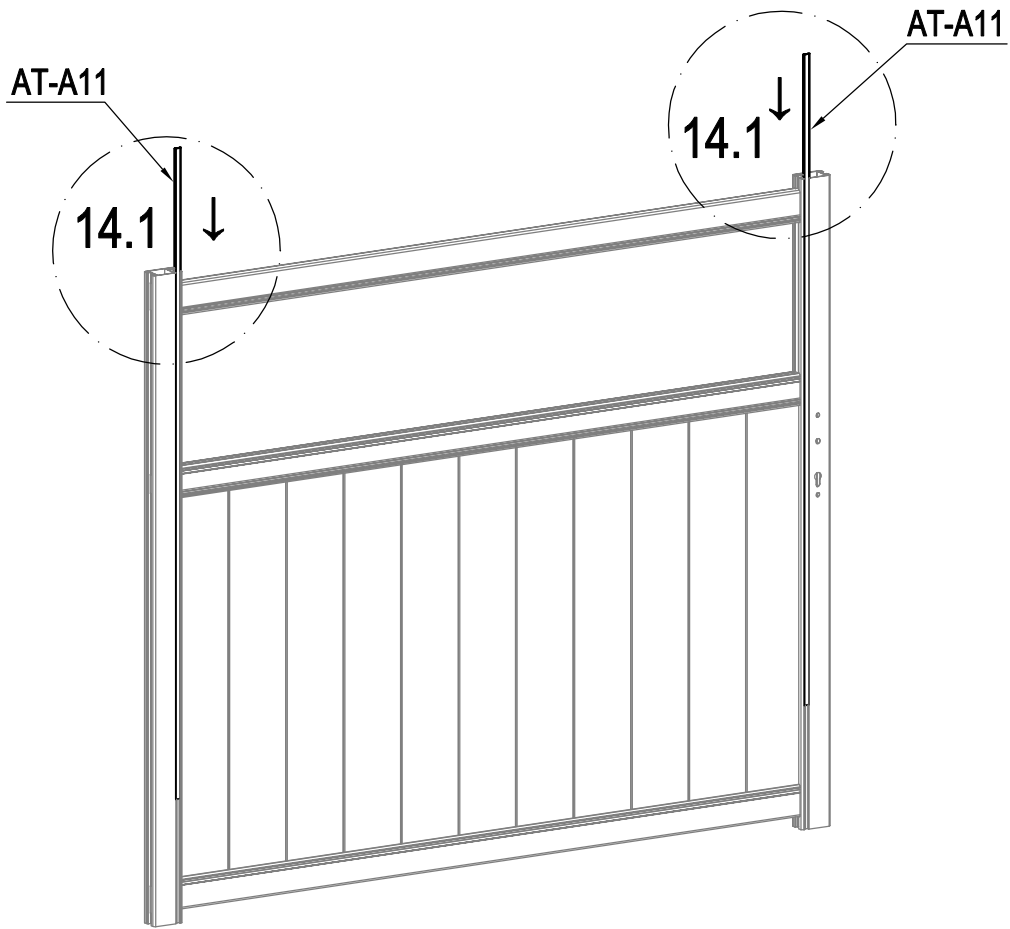


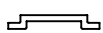
	DO-B2	1
	Dr-28	2
	DO-28a	1
	DO-G31	6

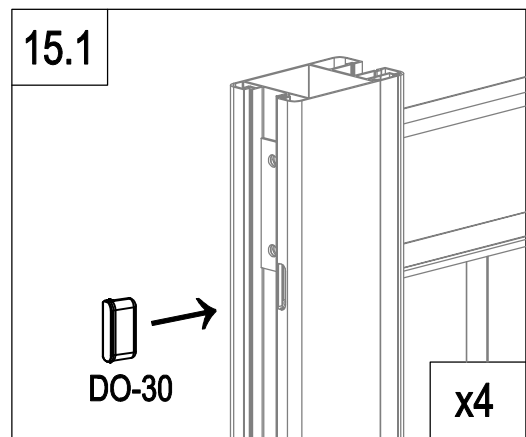
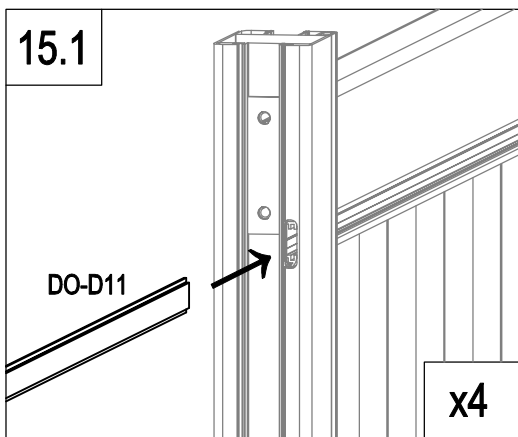
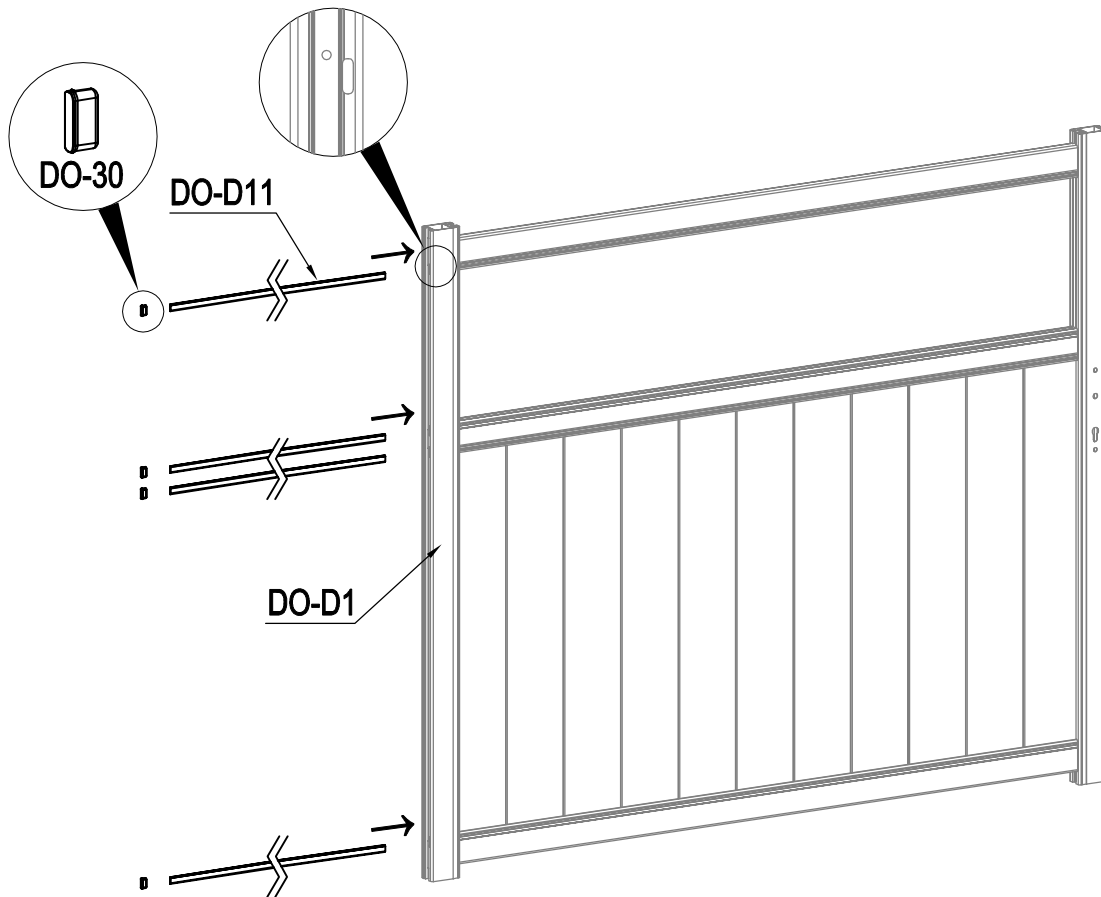


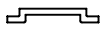

	DO-32	4
	DO-35	12
	DO-G35	22
	DO-G32	6

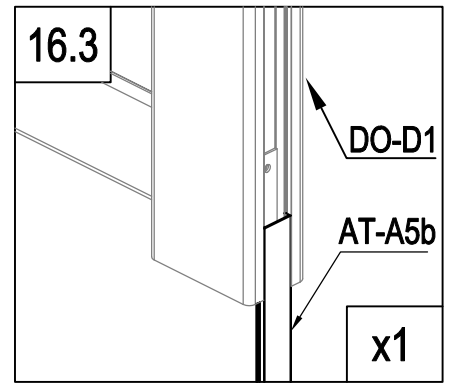
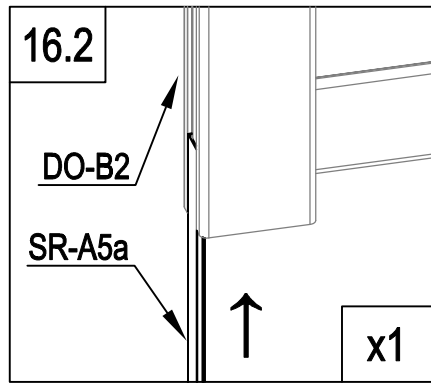
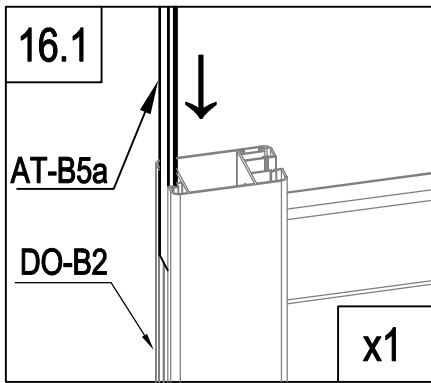
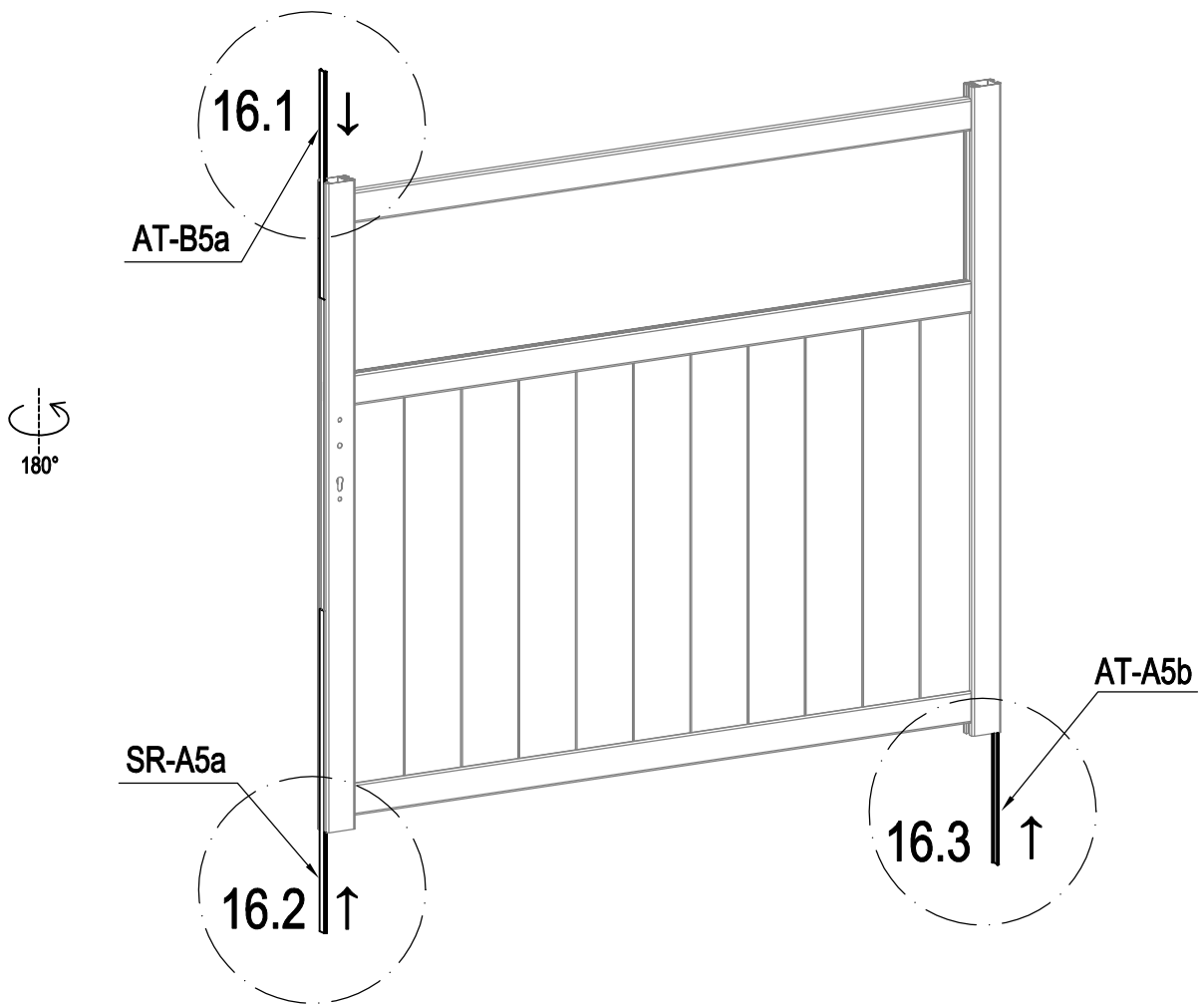




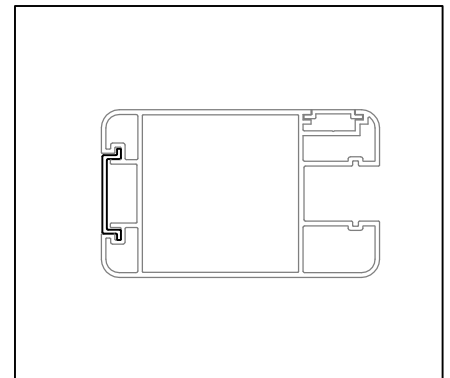
	<b>AT-A11</b>	<b>2</b>
---	---------------	----------



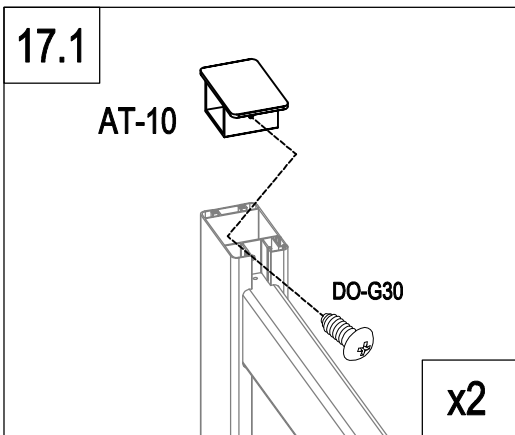
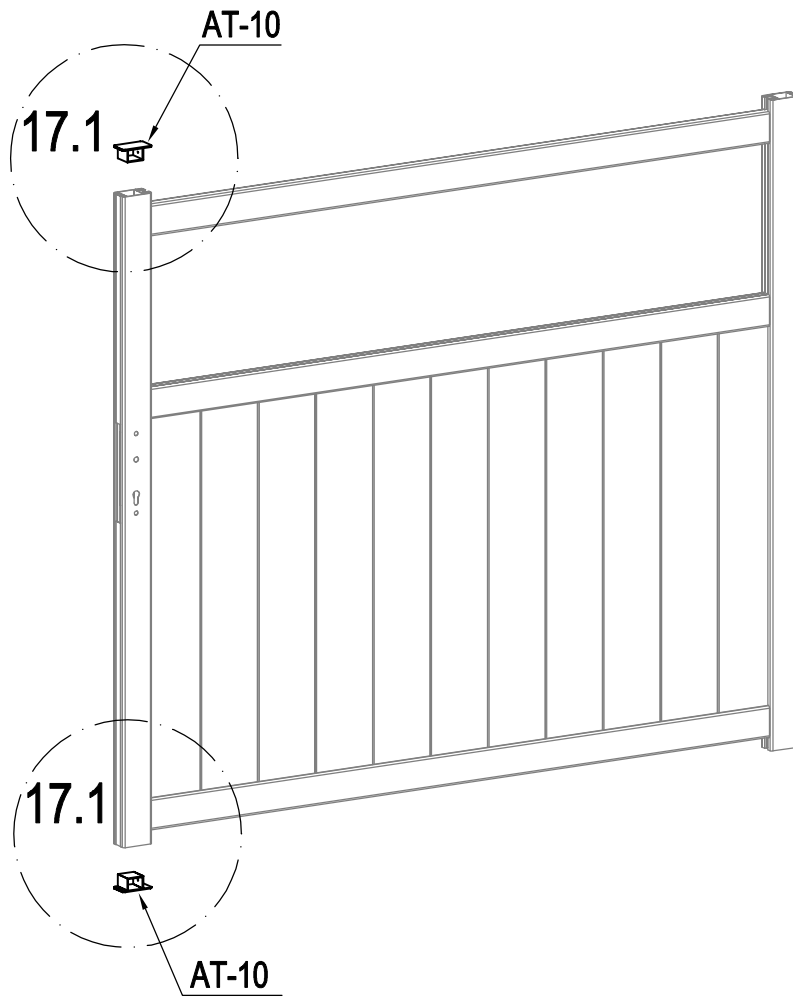
	DO-D11	4
	DO-30	4





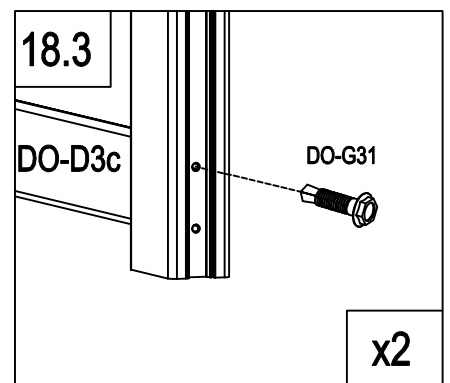
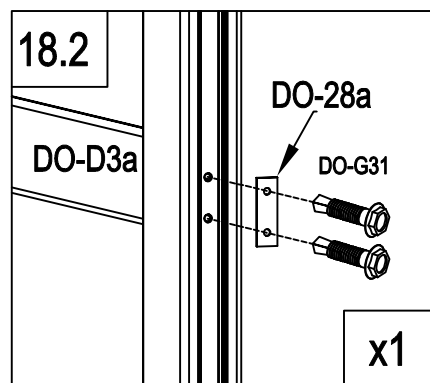
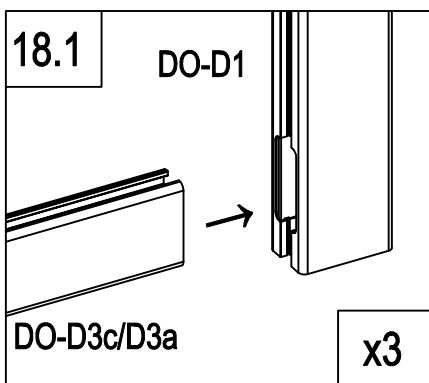
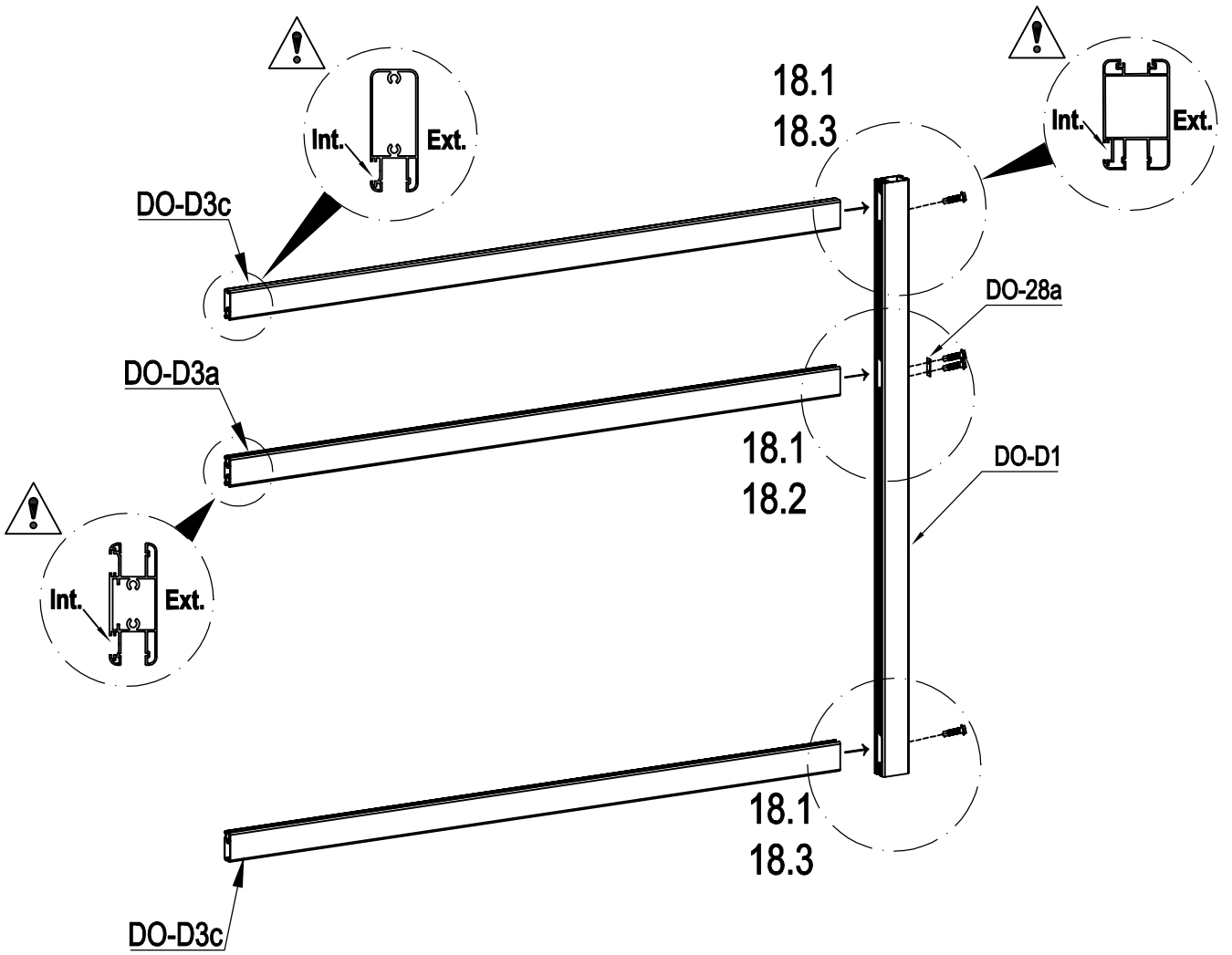
	AT-A5b	1
	AT-B5a	1
	SR-A5a	1





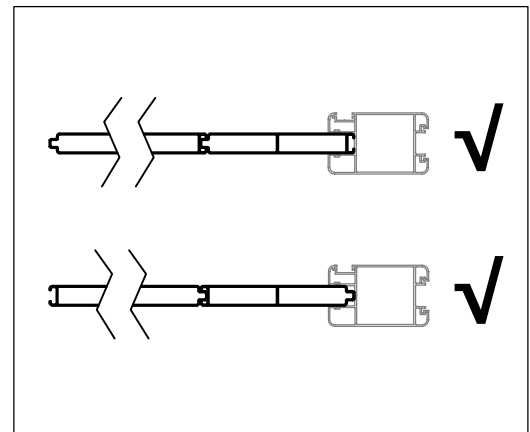
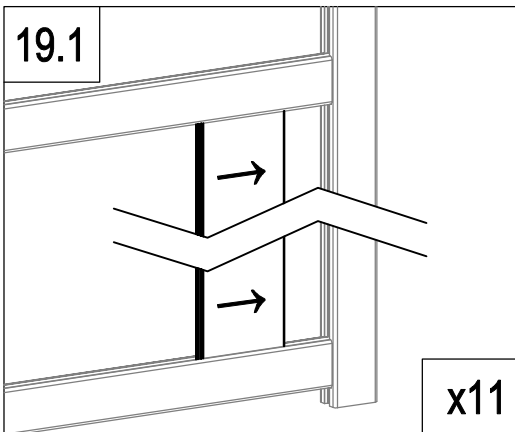
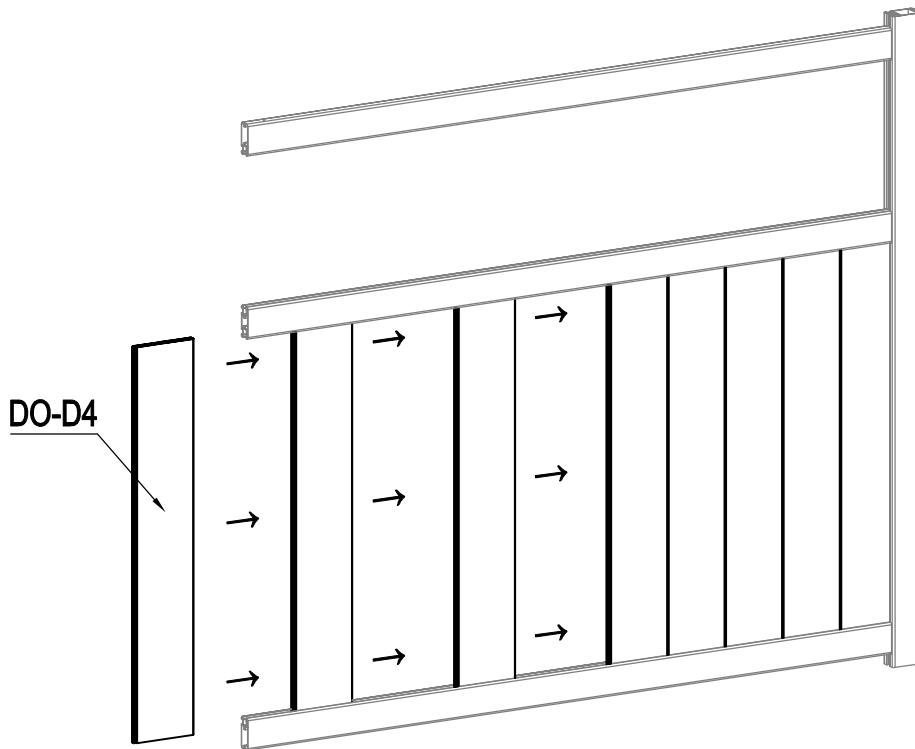


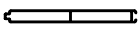
	AT-10	2
	DO-G30	2



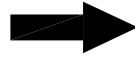
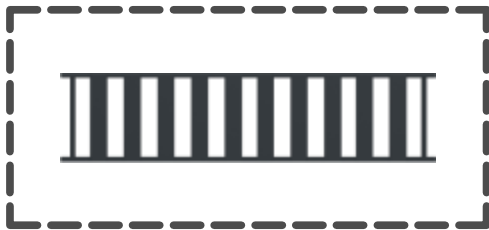
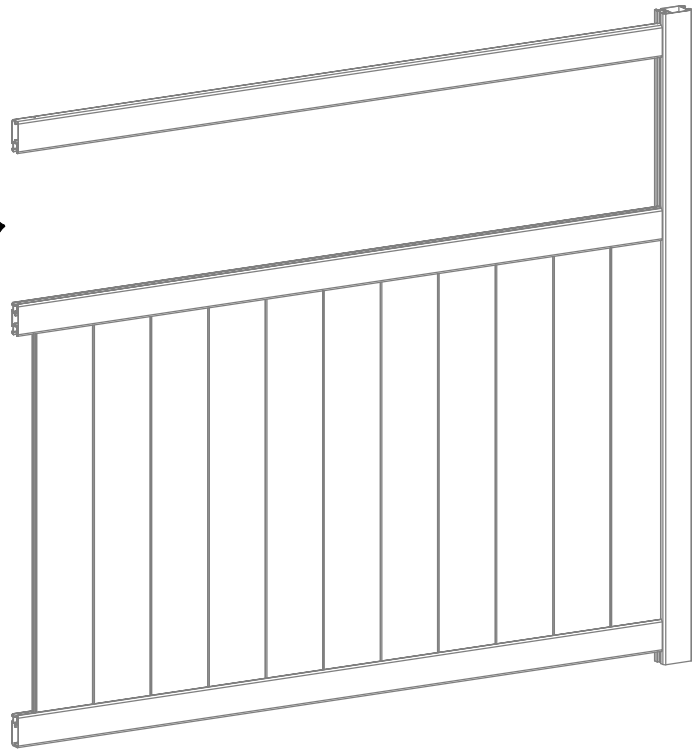
	DO-D1	1
	DO-D3c	2
	DO-D3a	1

	DO-28a	1
	DO-G31	4

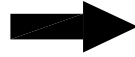


	DO-D4	11
---	-------	----

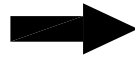
Optional Kit →



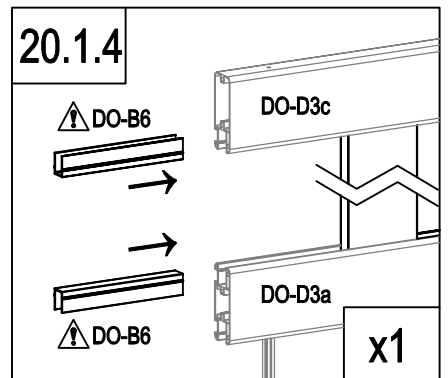
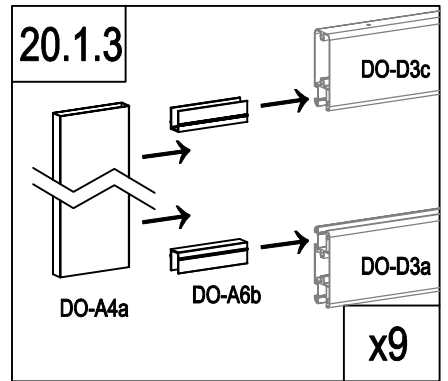
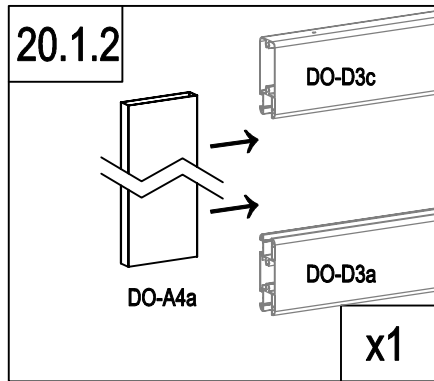
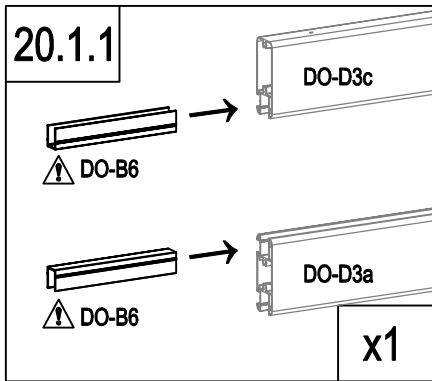
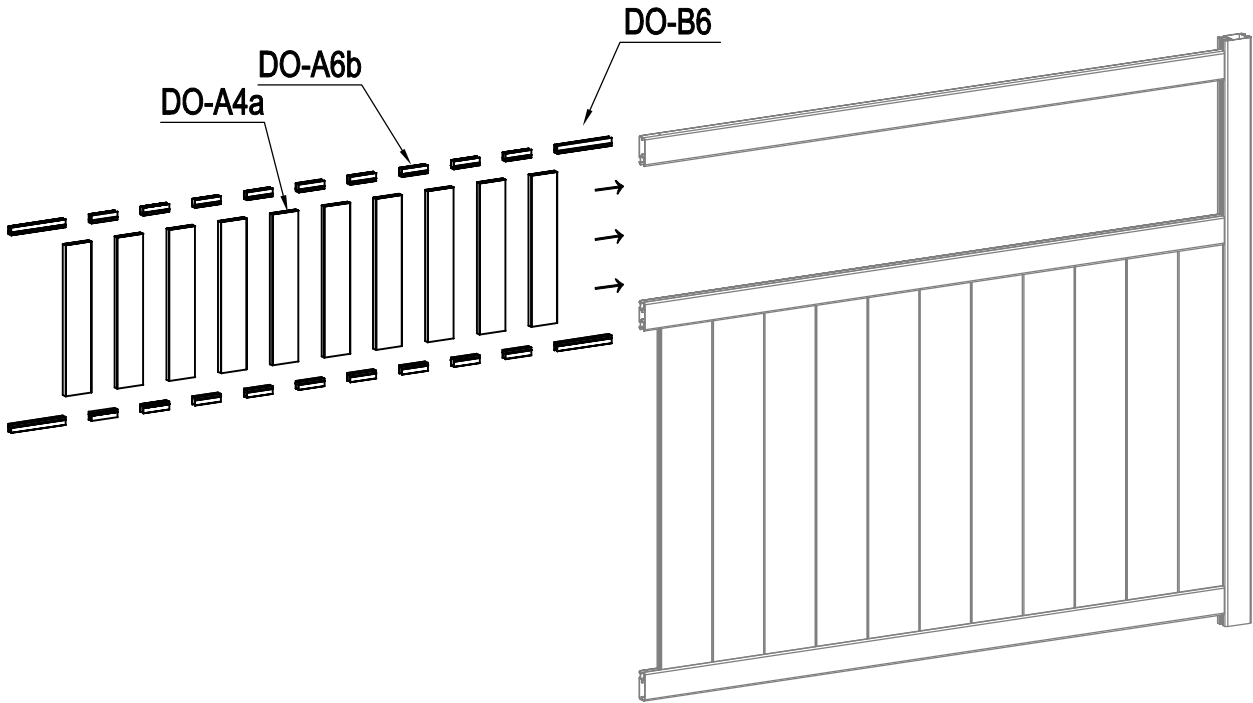
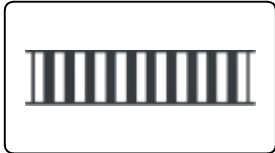
P 22~25



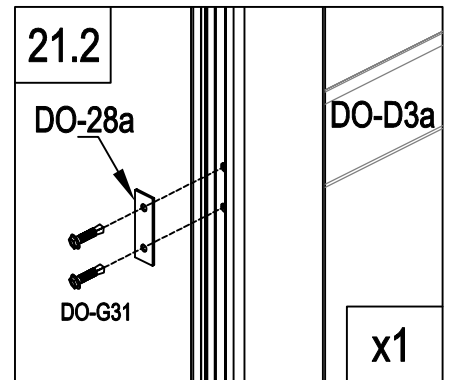
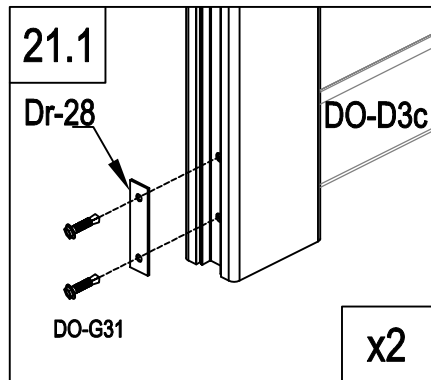
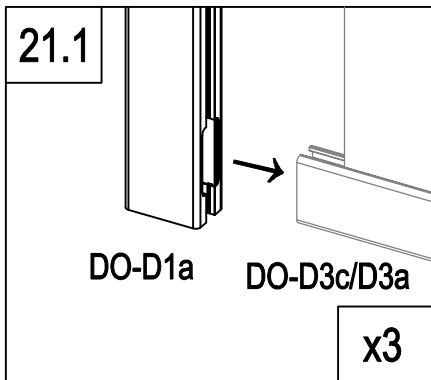
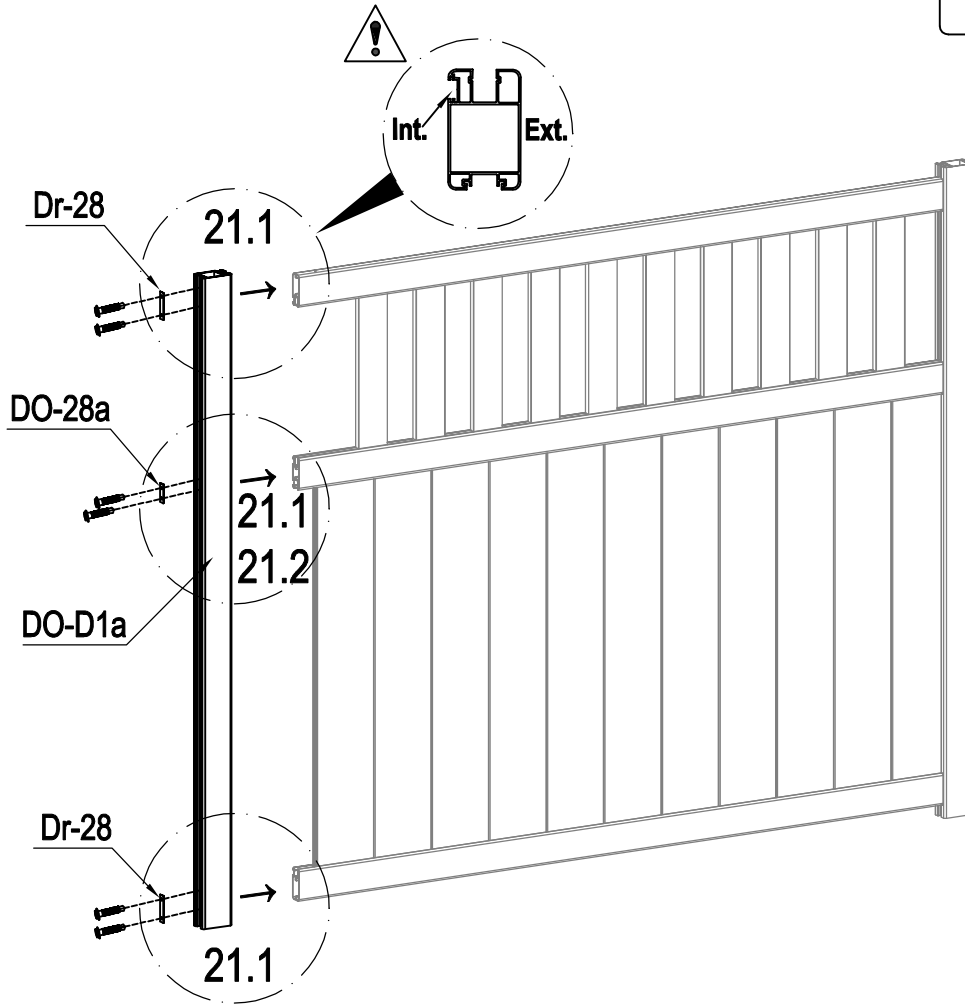
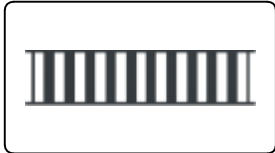
P 26~29



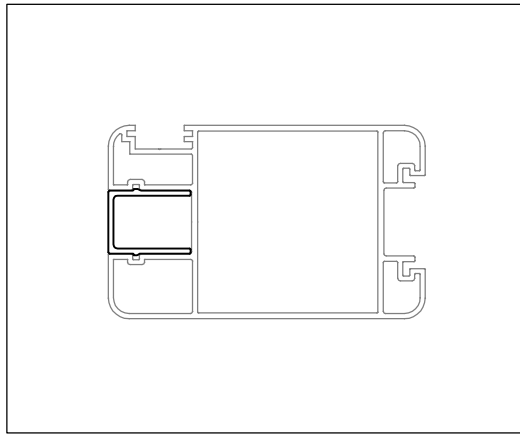
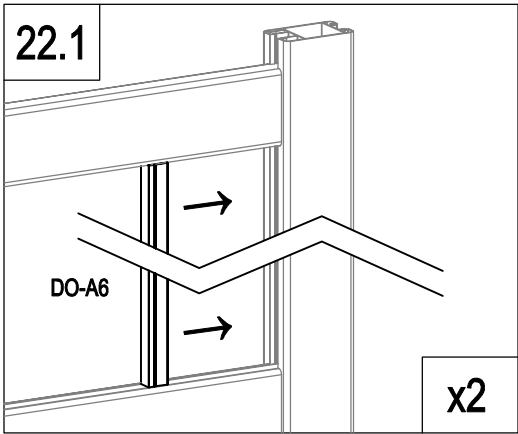
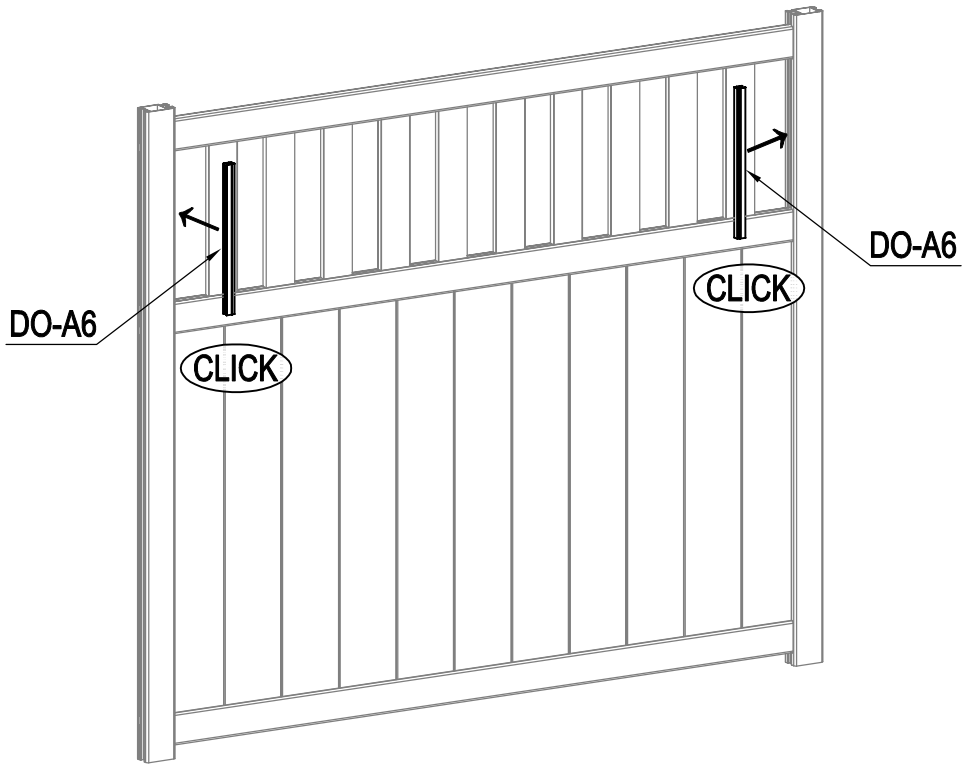
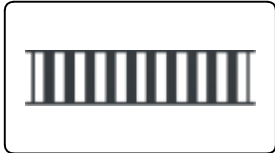
P 30~32




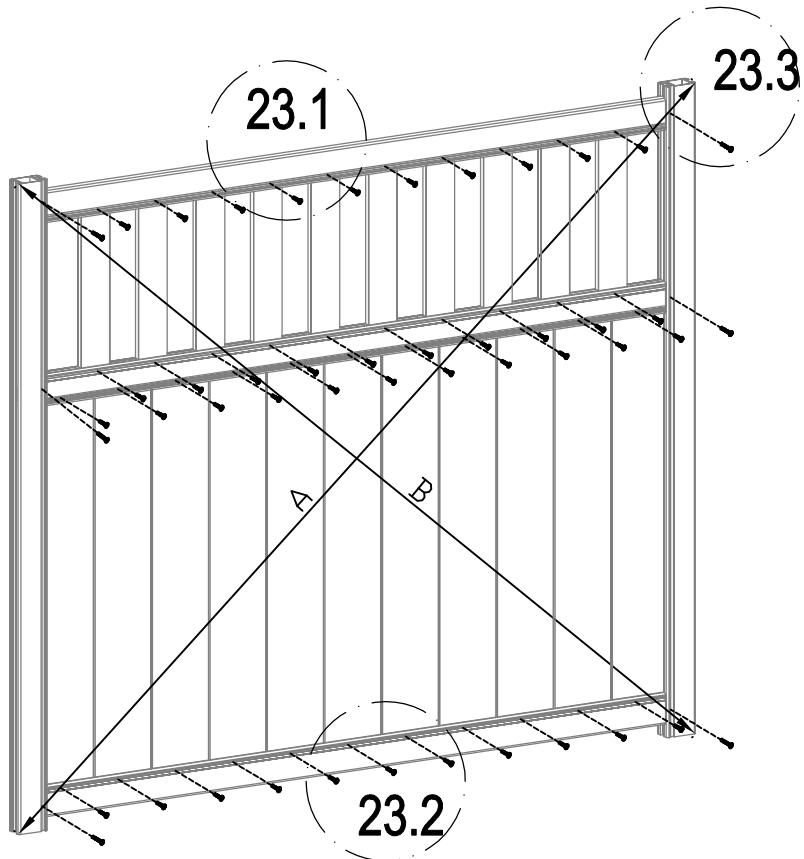
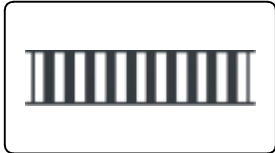
	DO-A4a	406mm	10
	DO-B6	163mm	4
	DO-A6b	77.5mm	18



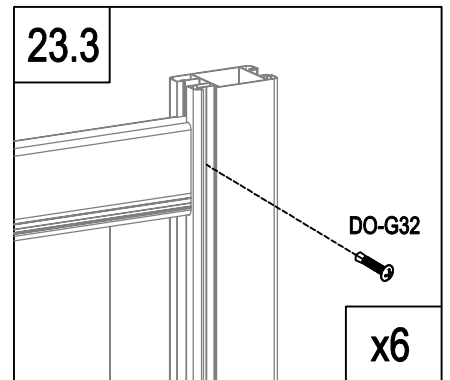
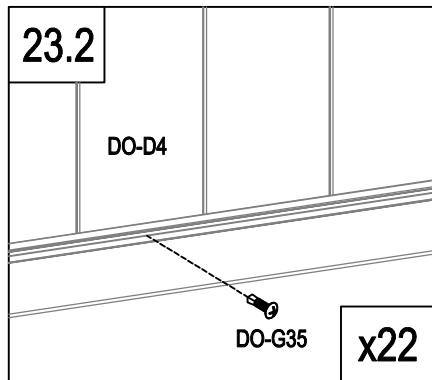
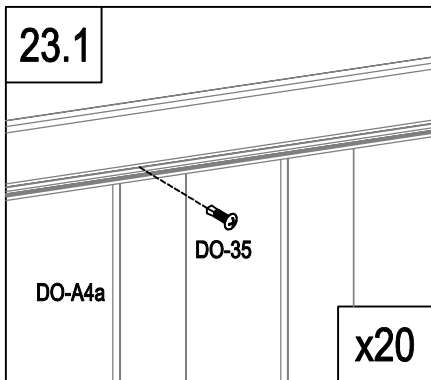
	DO-D1a	1
	Dr-28	2
	DO-28a	1
	DO-G31	6






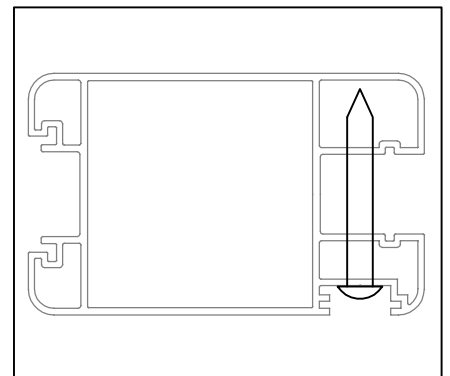
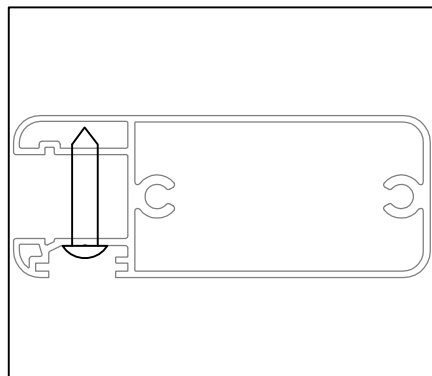
	DO-A6	2
---	-------	---



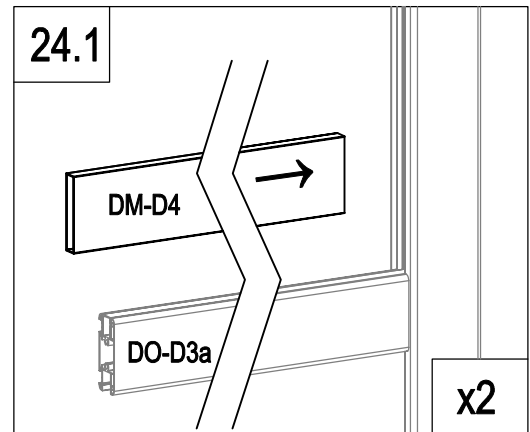
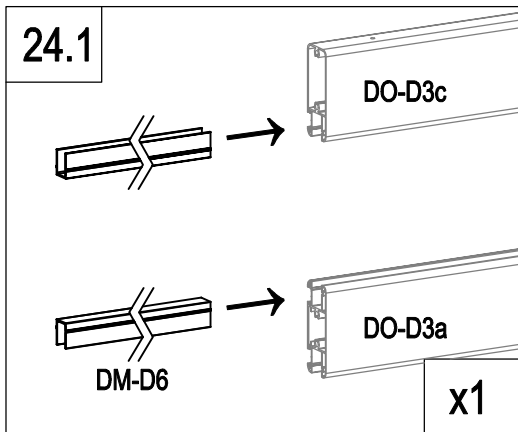
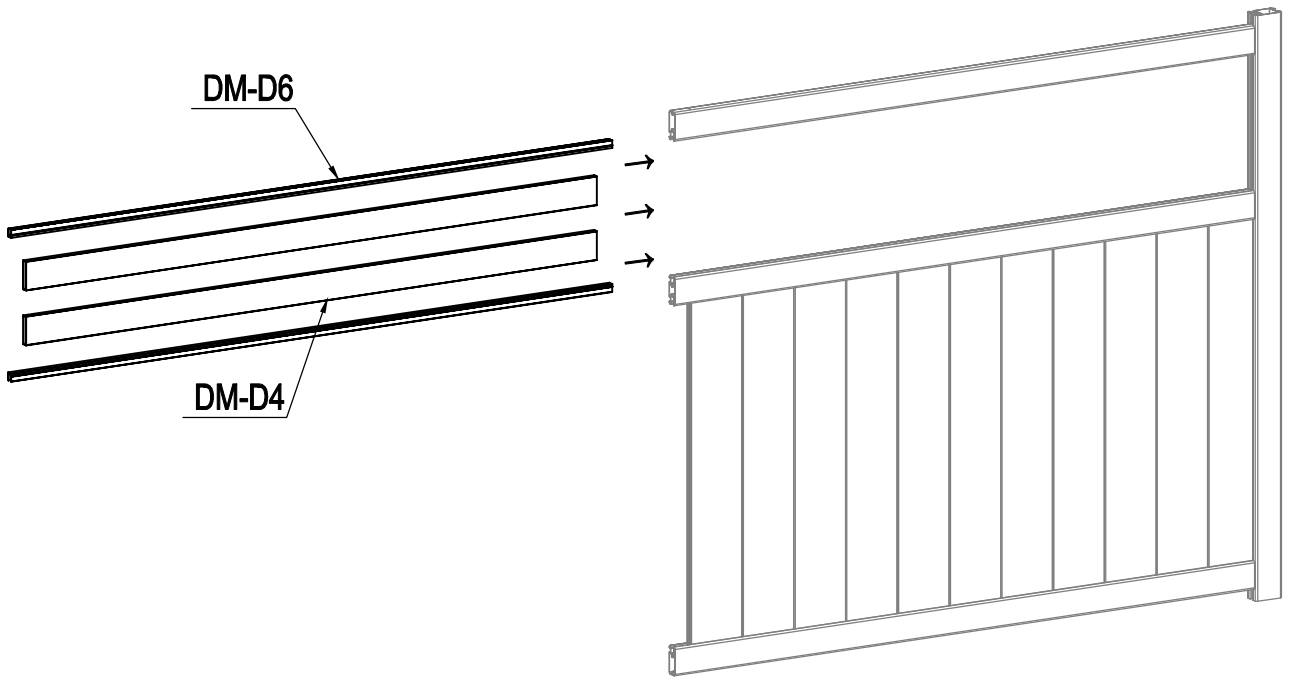
⚠ A=B

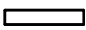



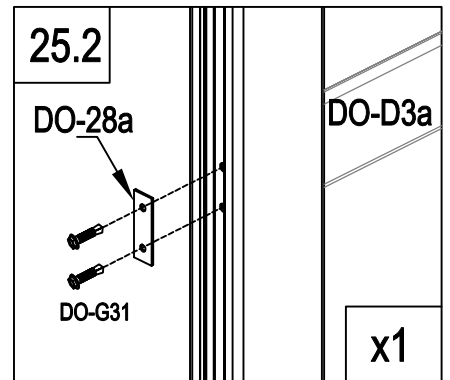
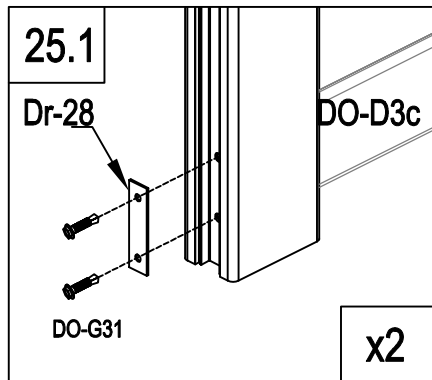
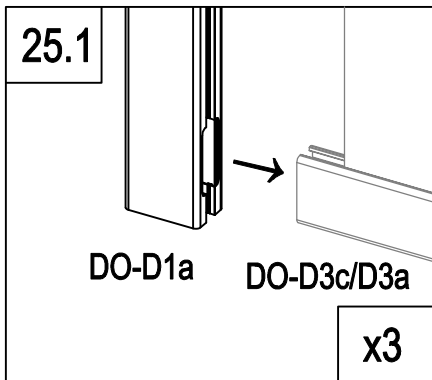
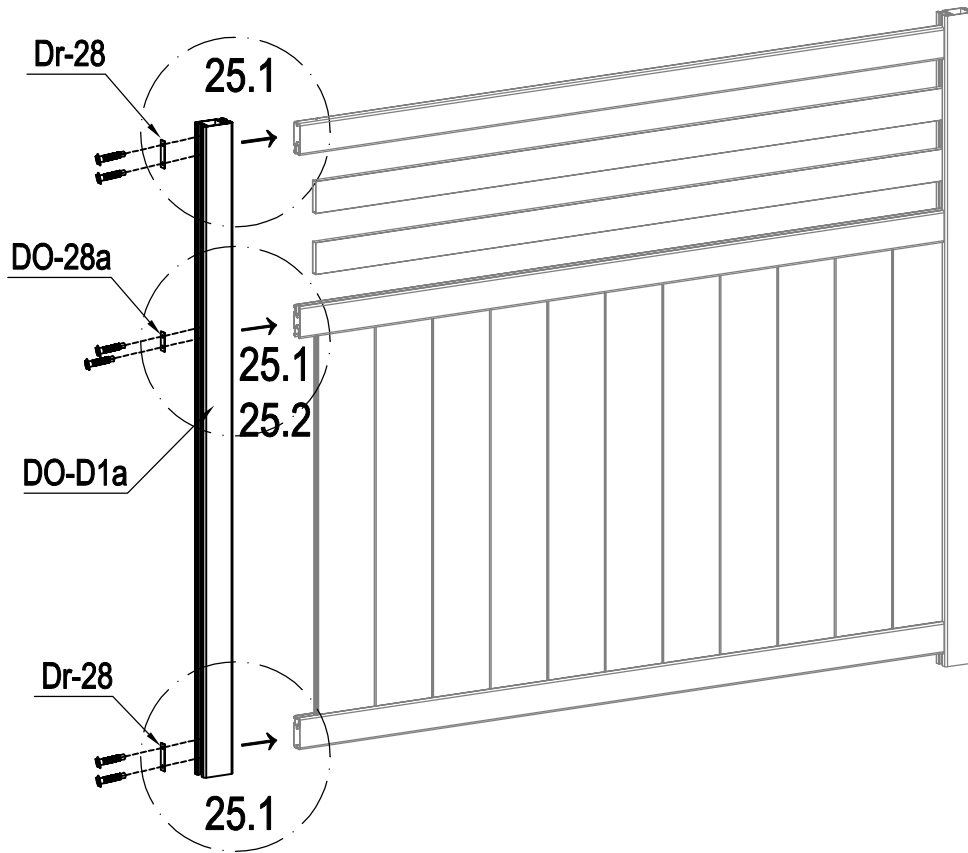
	DO-35	20
	DO-G35	22
	DO-G32	6



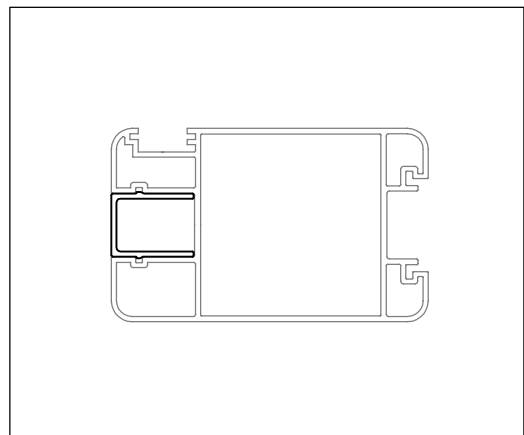
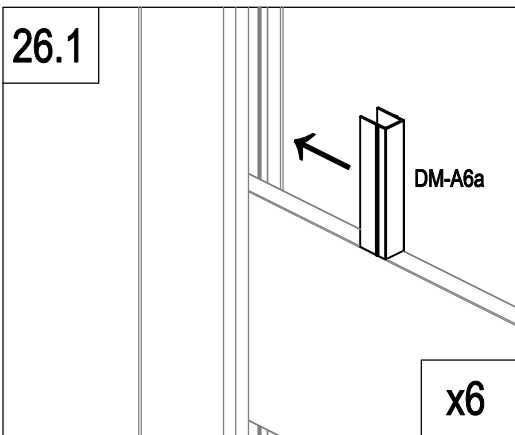
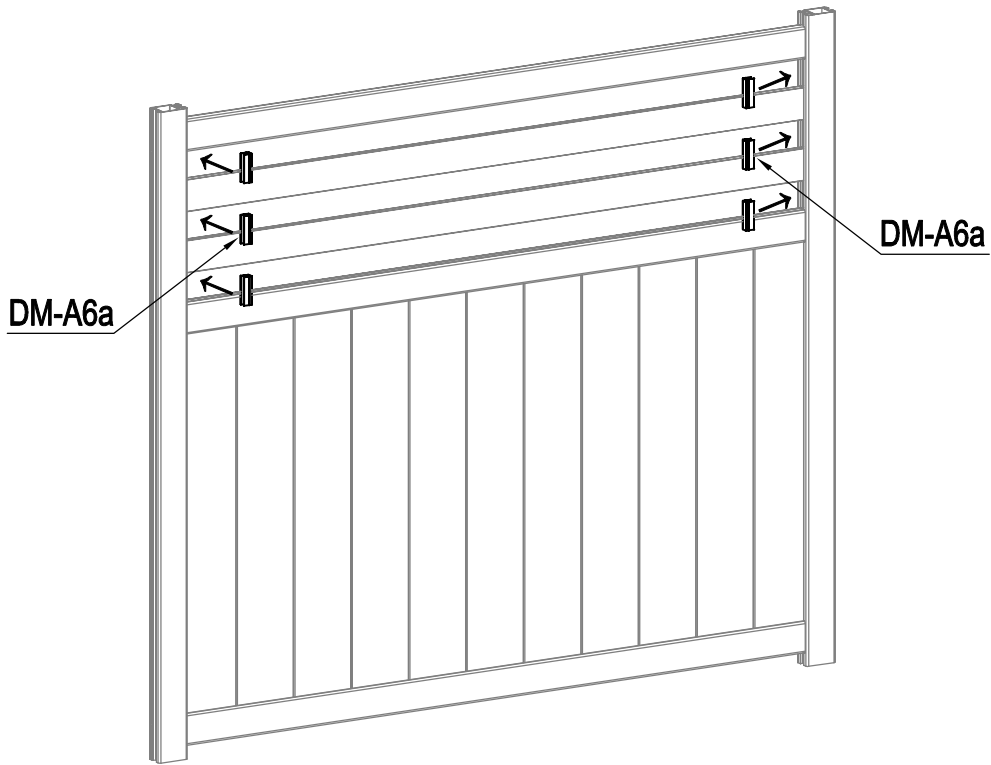




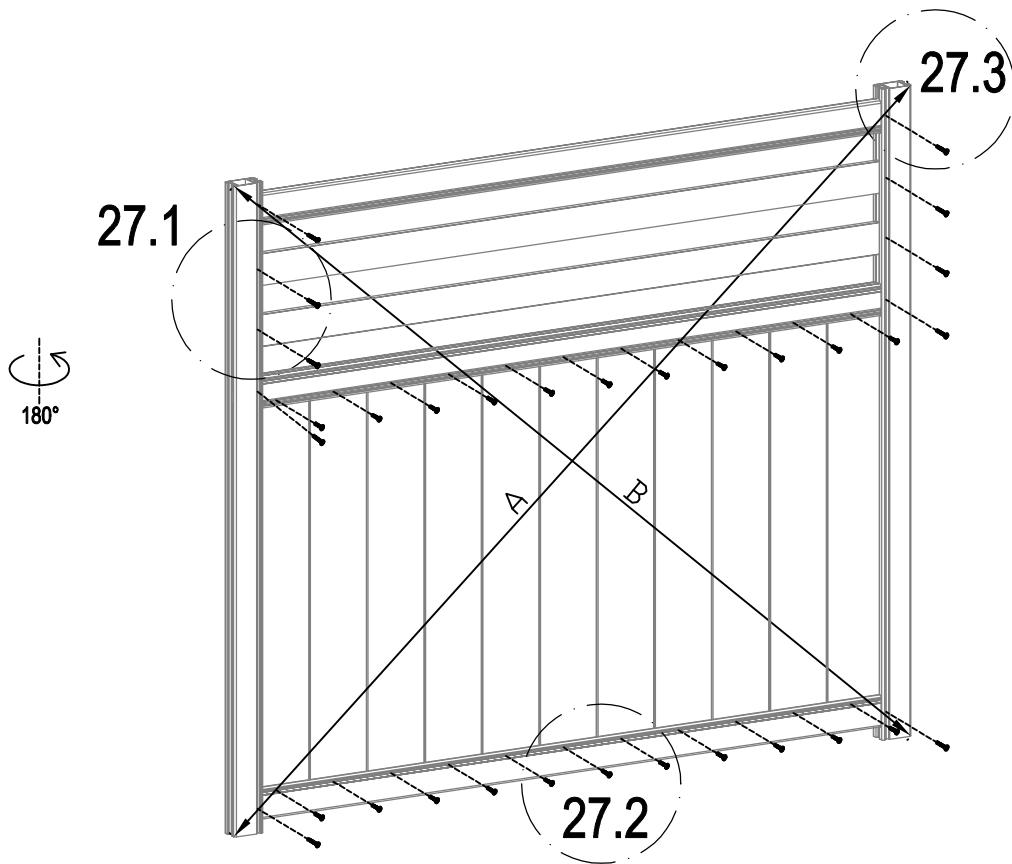
	DM-D4	2
	DM-D6	2



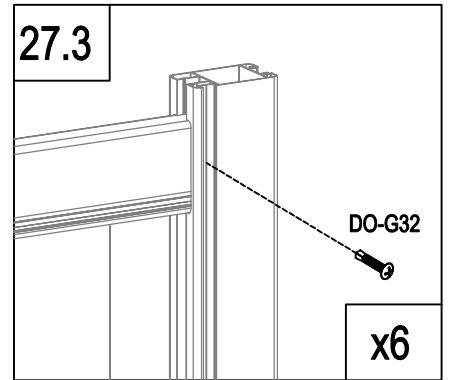
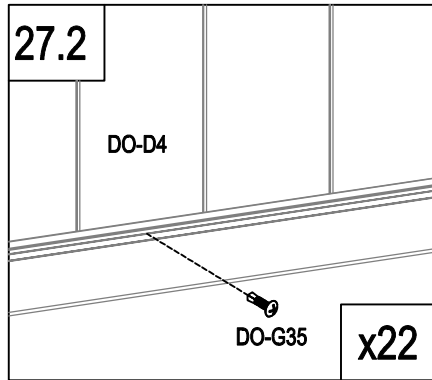
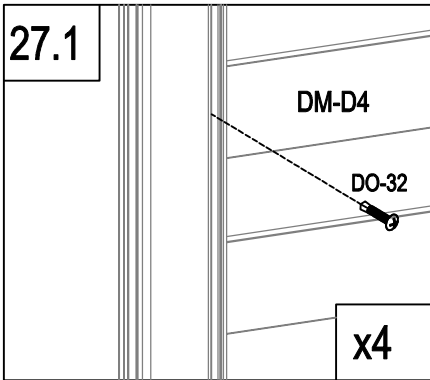
	DO-D1a	1
	Dr-28	2
	DO-28a	1
	DO-G31	6



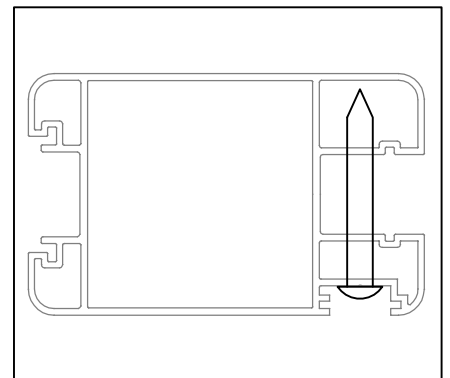
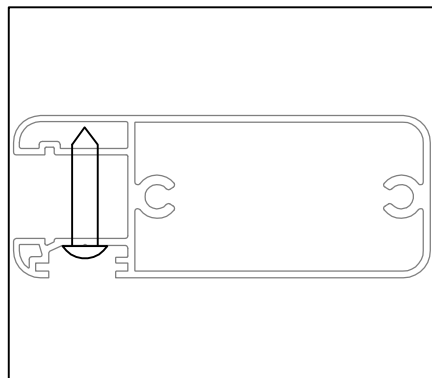
	DM-A6a	6
--	--------	---

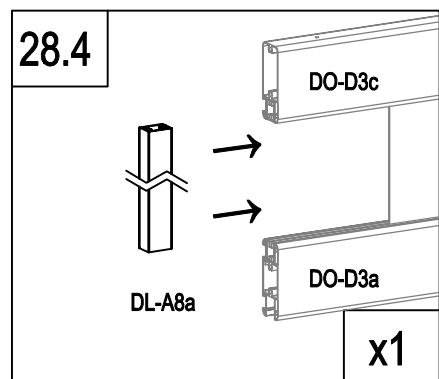
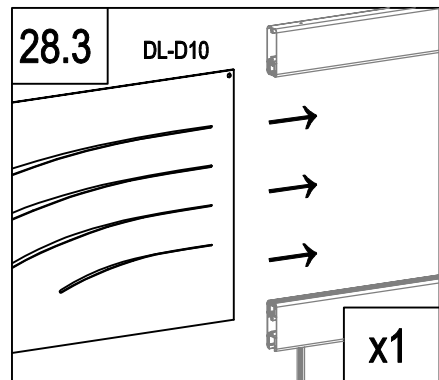
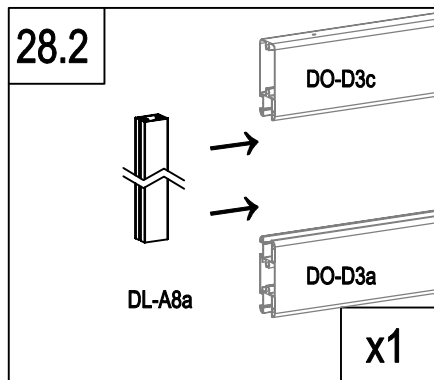
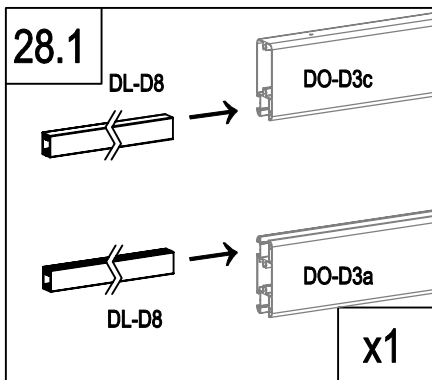
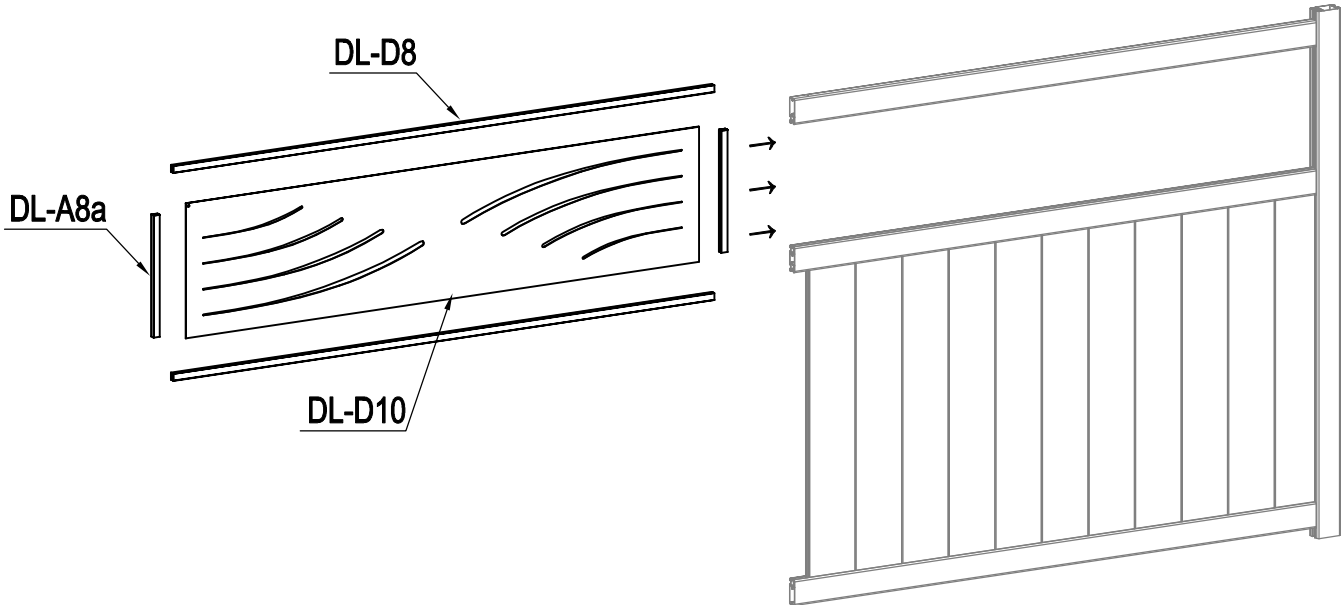


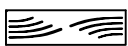
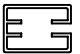
A=B

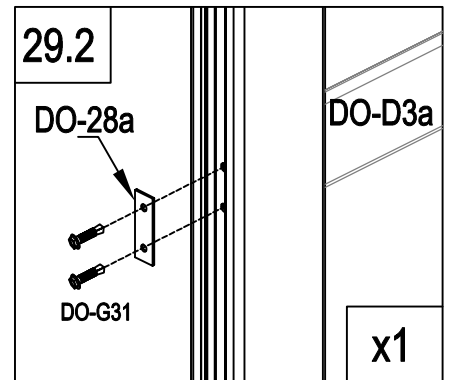
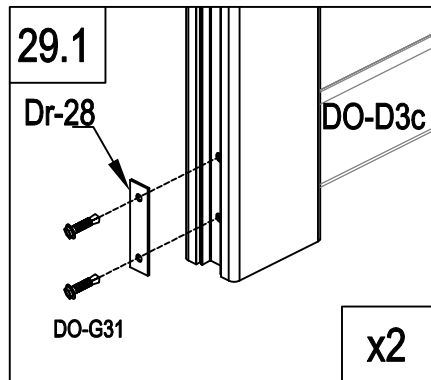
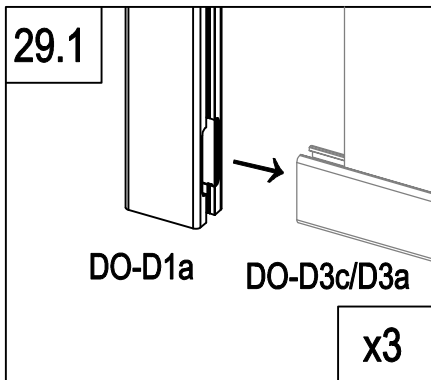
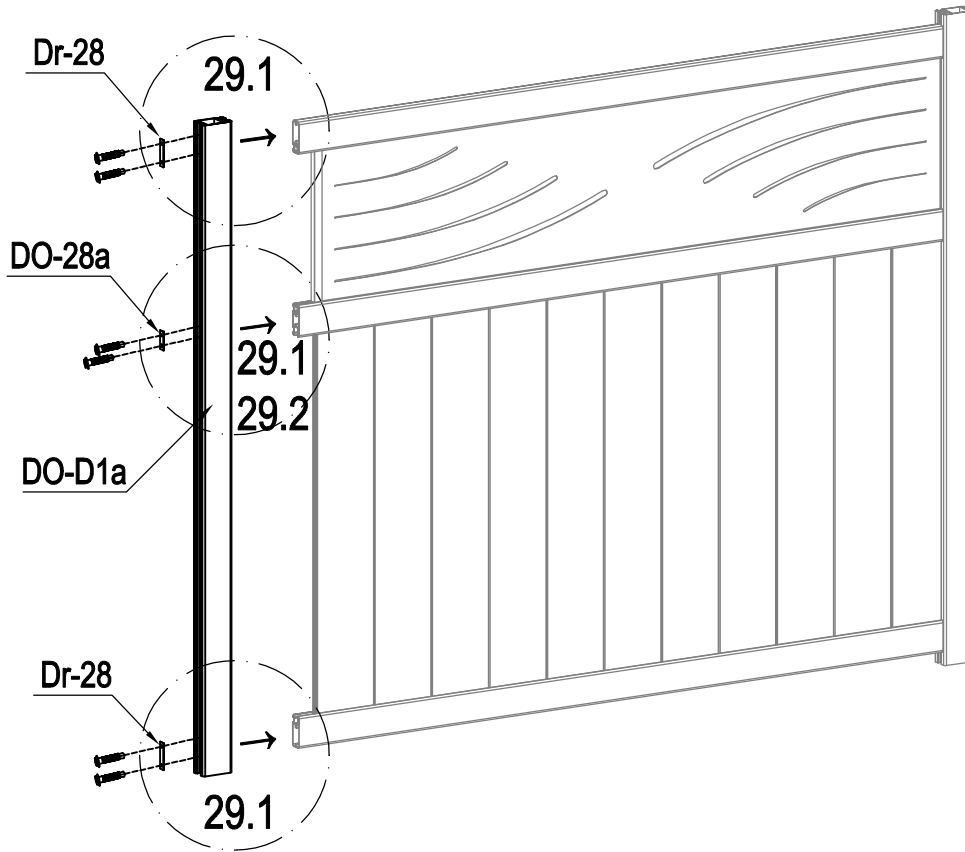


	DO-32	4
	DO-G35	22
	DO-G32	6

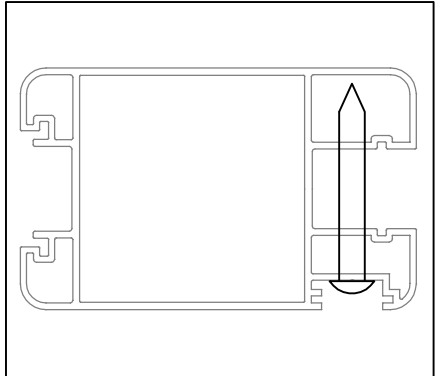
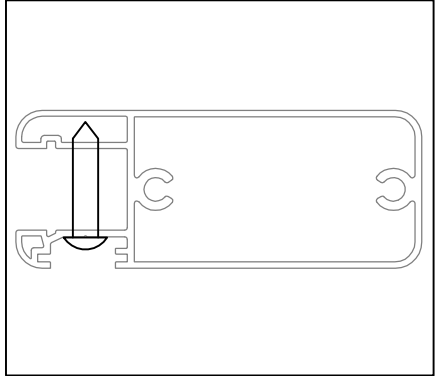
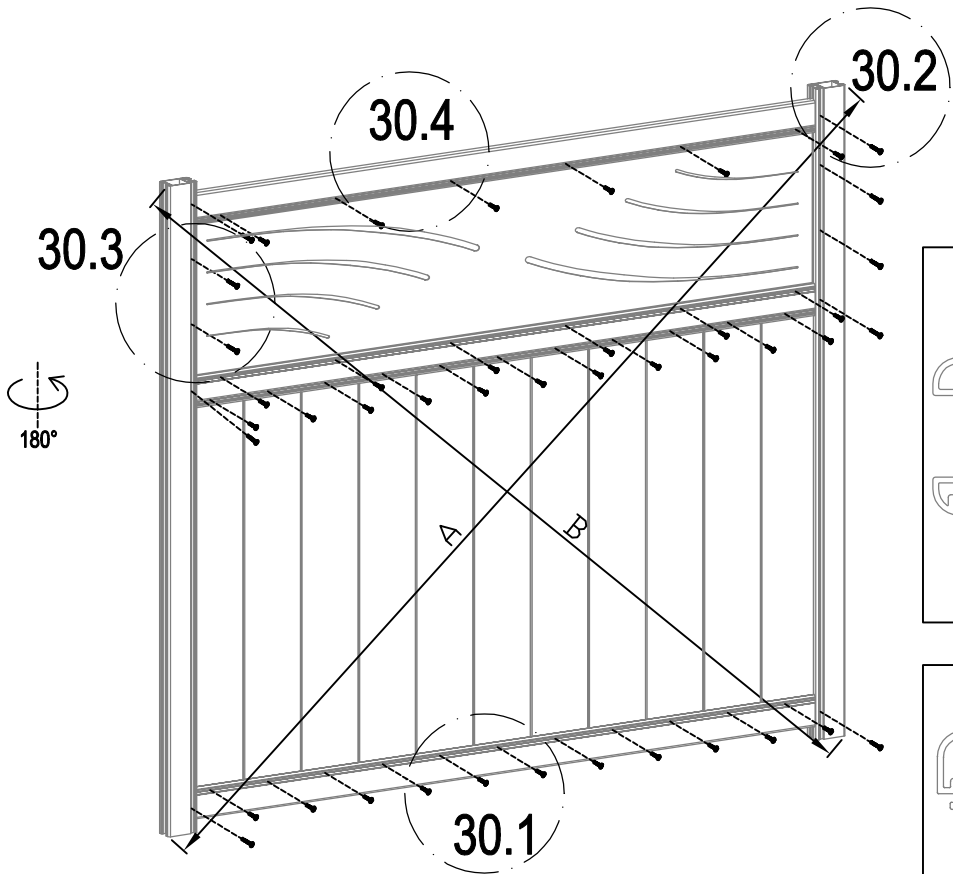




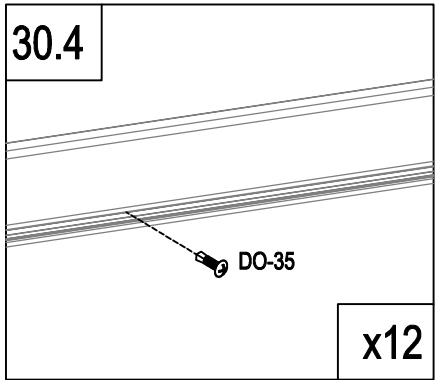
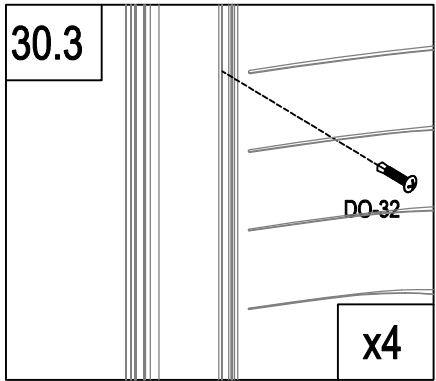
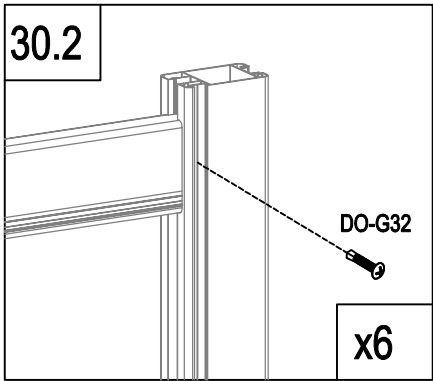
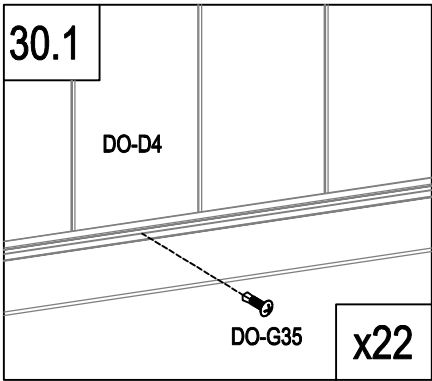
	DL-D10	1
	DL-D8	2
	DL-A8a	2



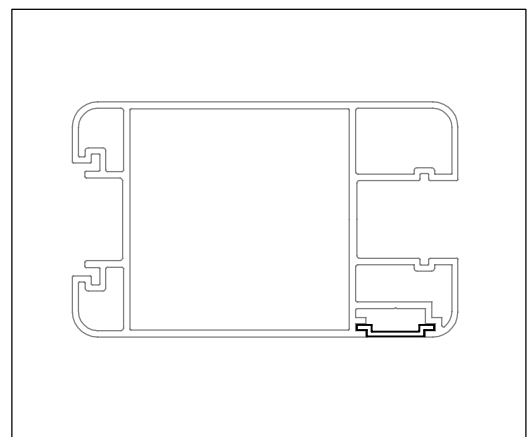
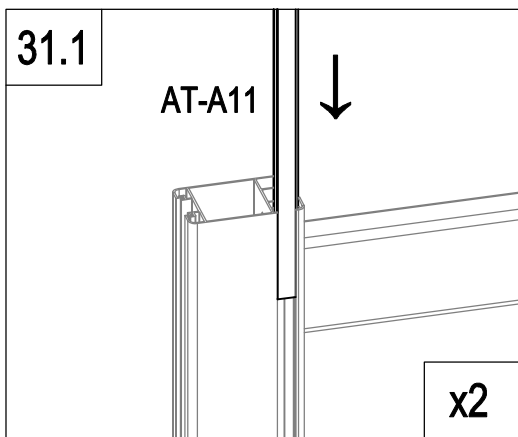
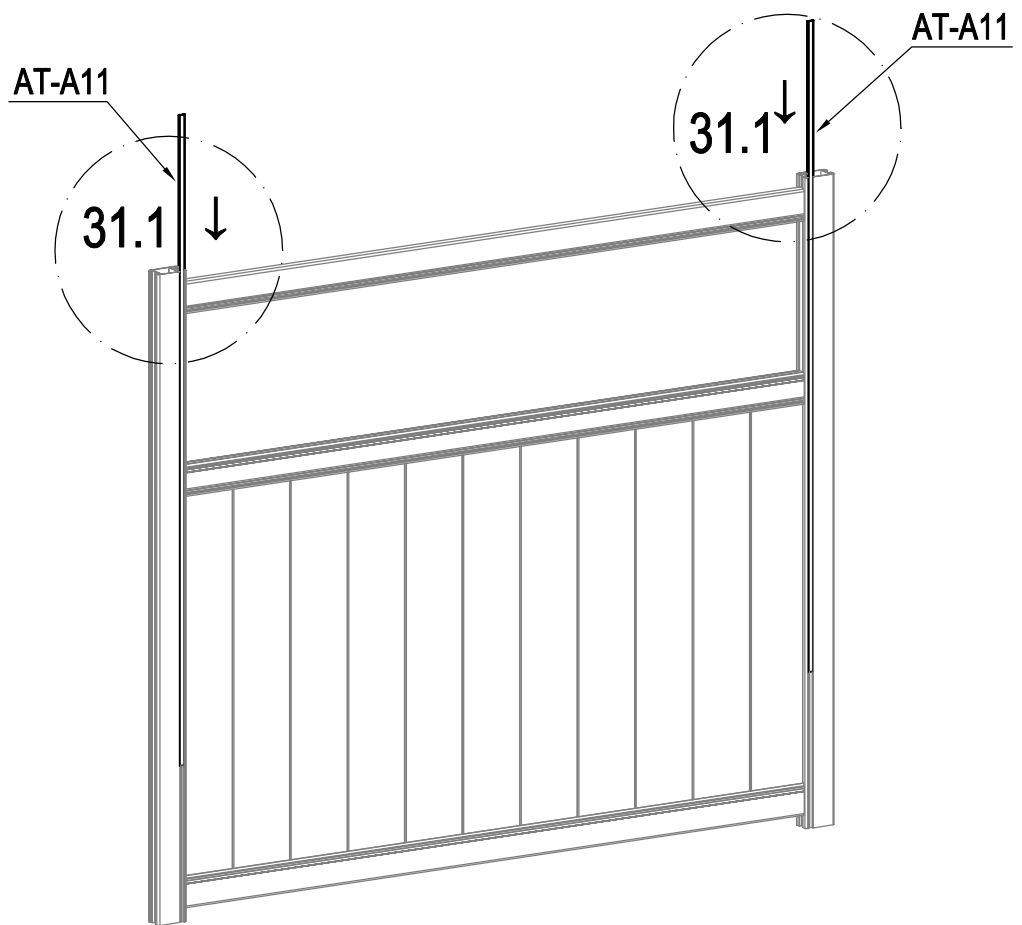
	DO-D1a	1
	Dr-28	2
	DO-28a	1
	DO-G31	6

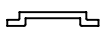


A=B

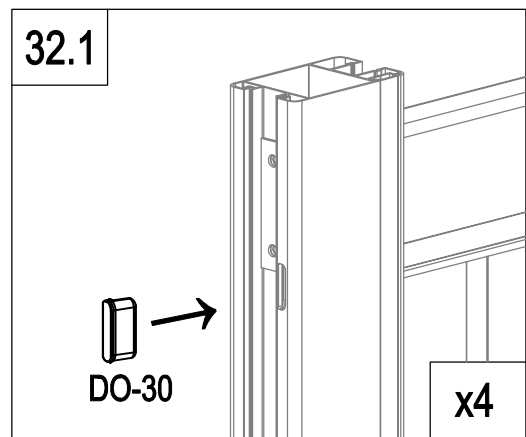
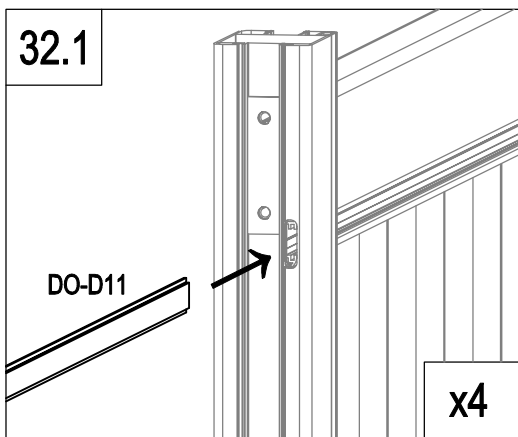
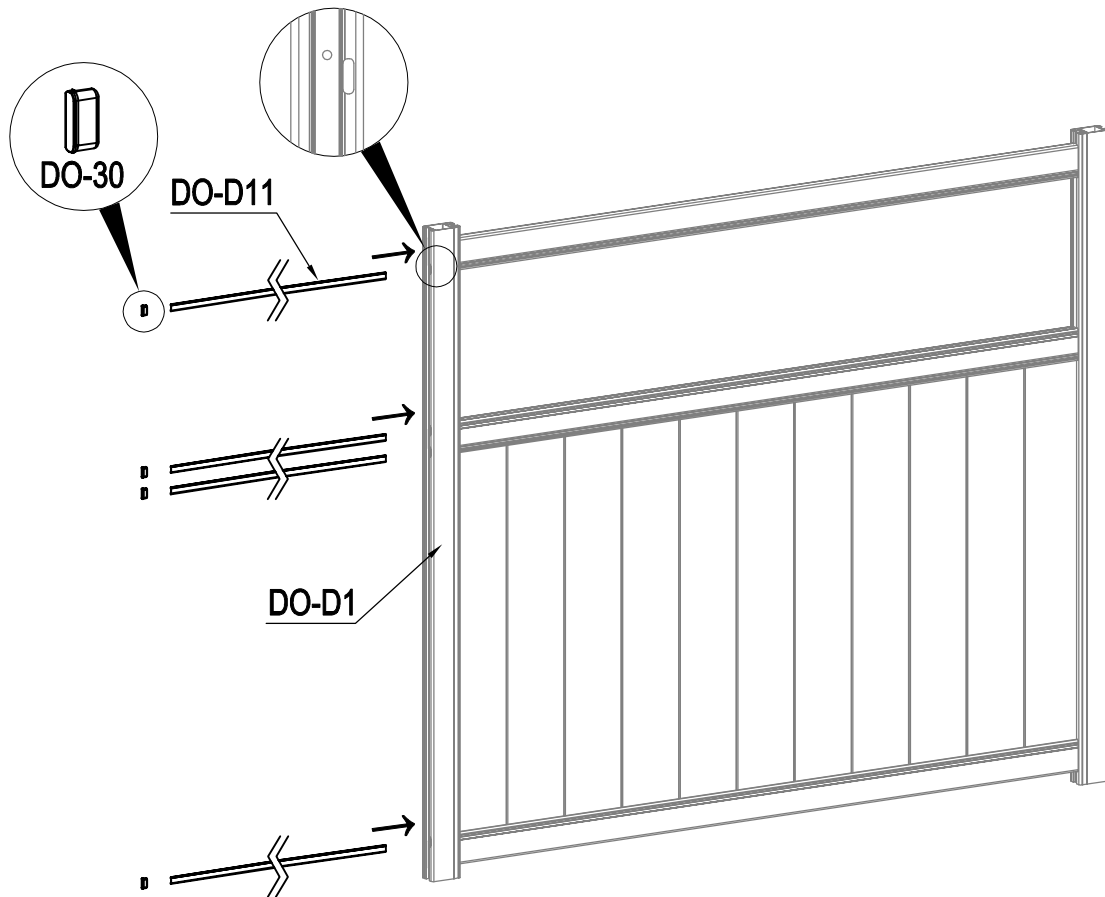


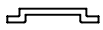

	DO-32	4
	DO-35	12
	DO-G35	22
	DO-G32	6

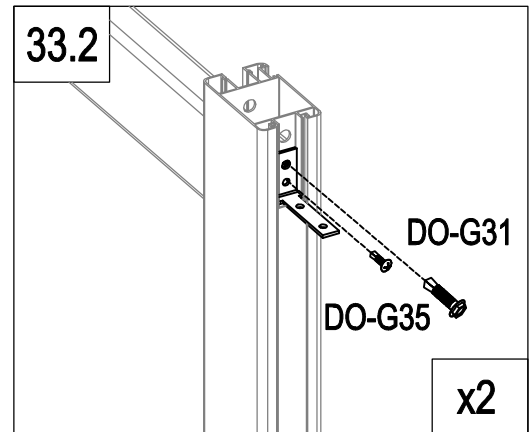
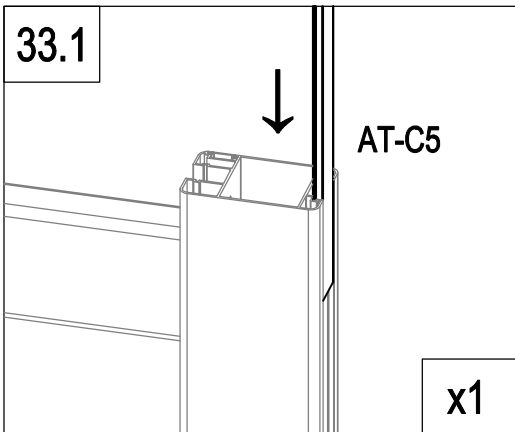
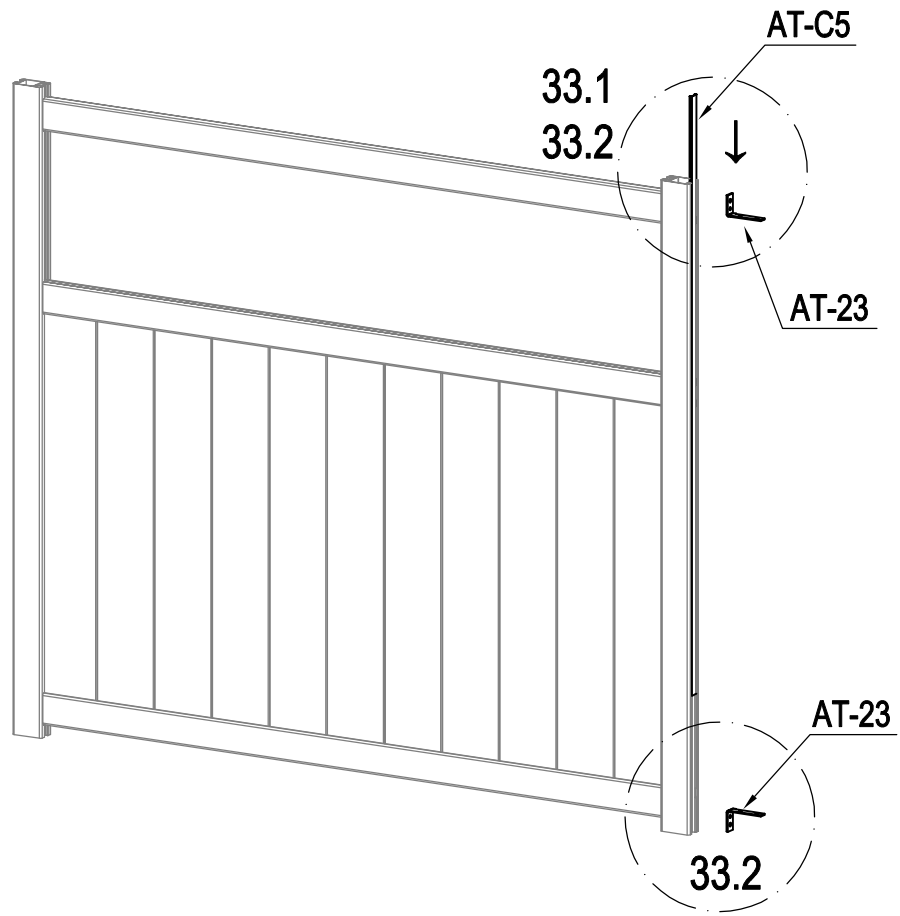






	AT-A11	2
---	--------	---

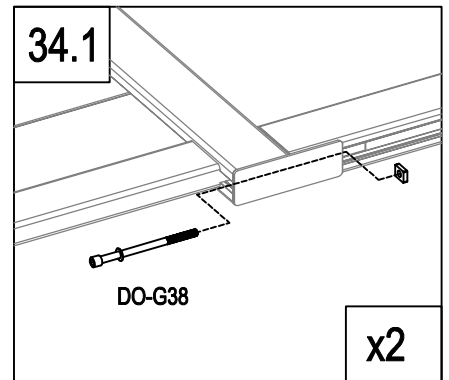
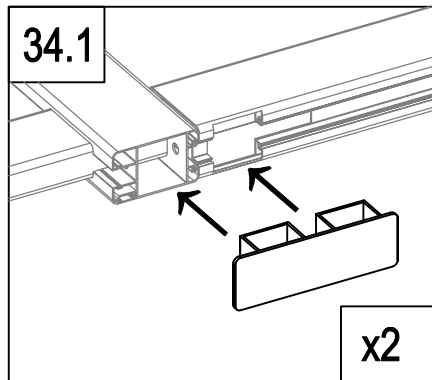
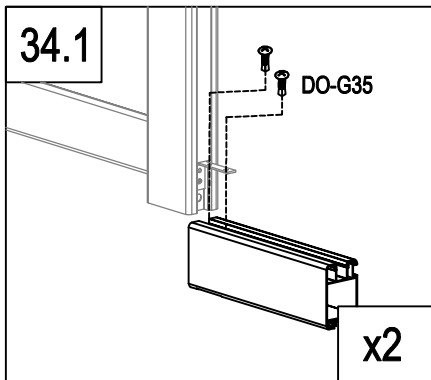
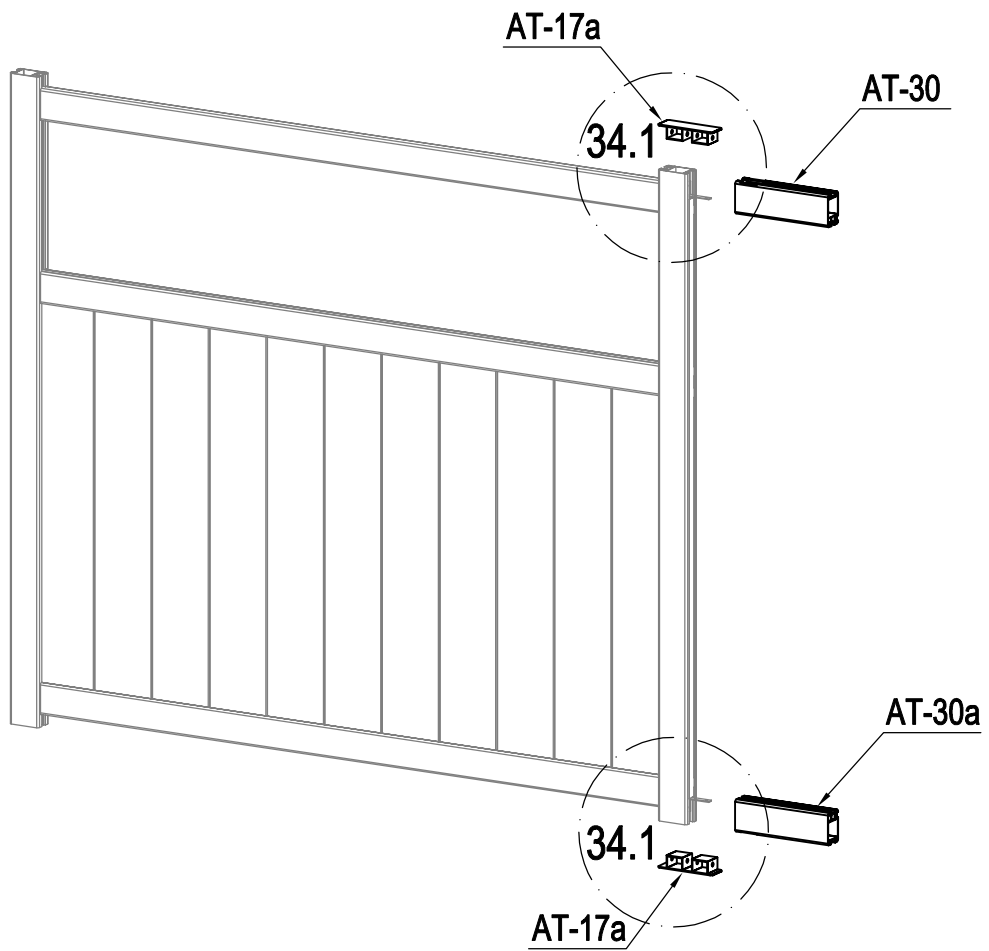


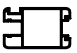





	DO-D11	4
	DO-30	4

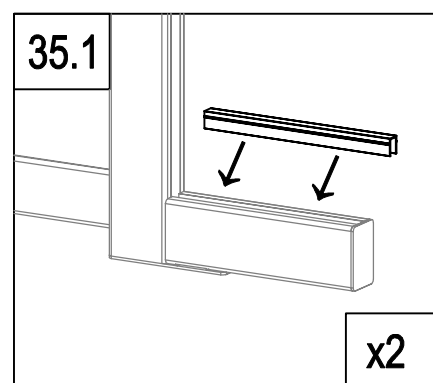
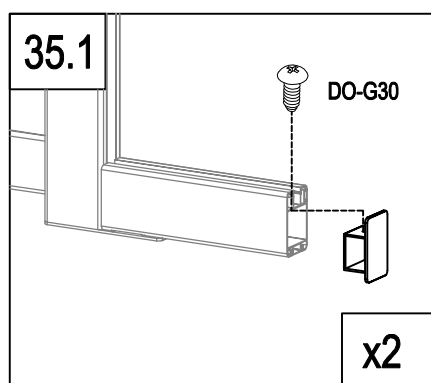
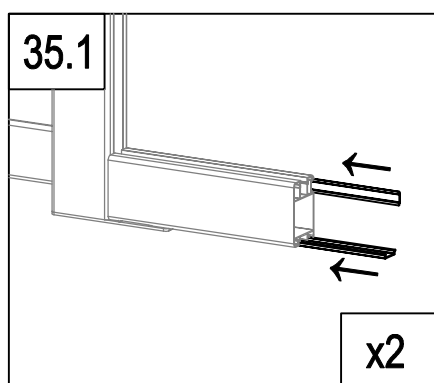
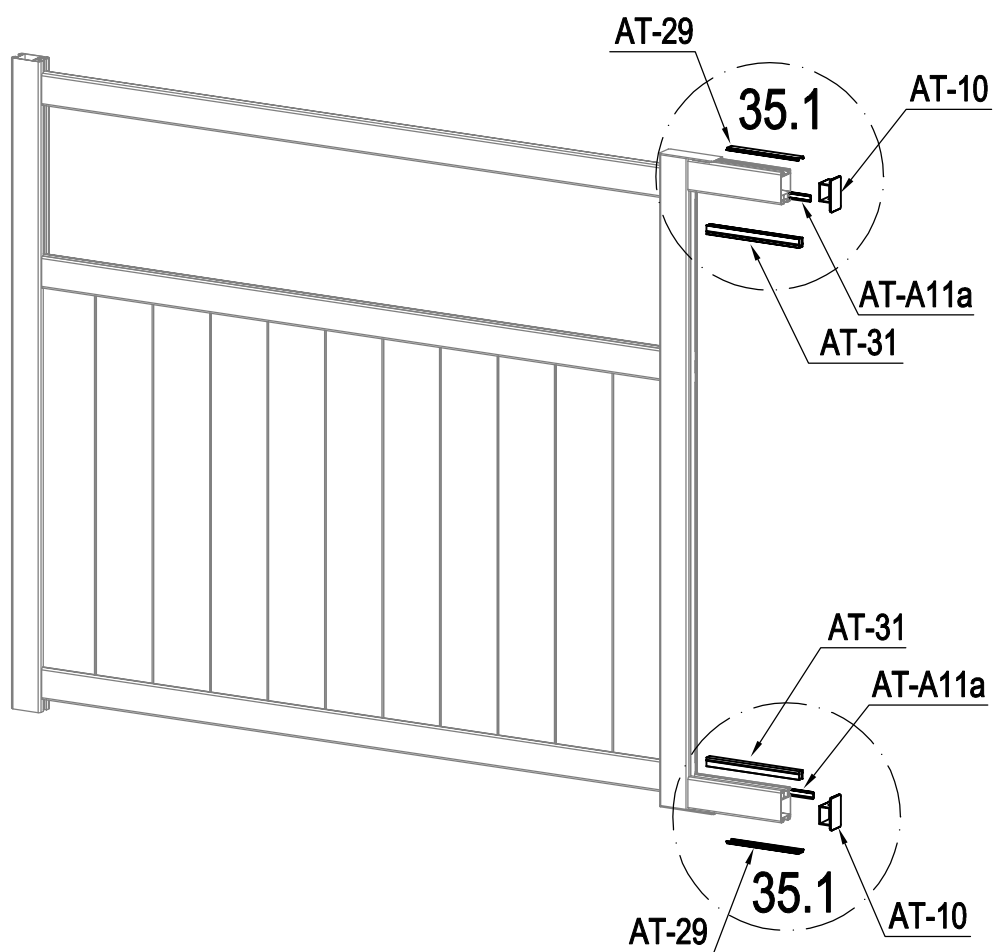


	AT-C5	1
	AT-23	2
	DO-G31	2
	DO-G35	2



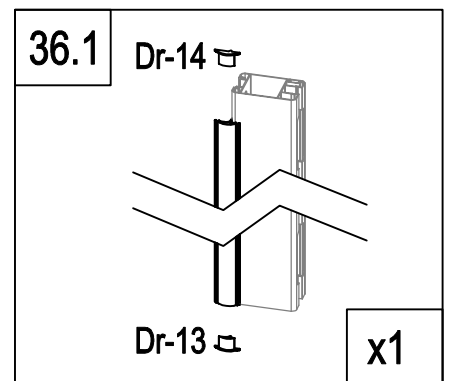
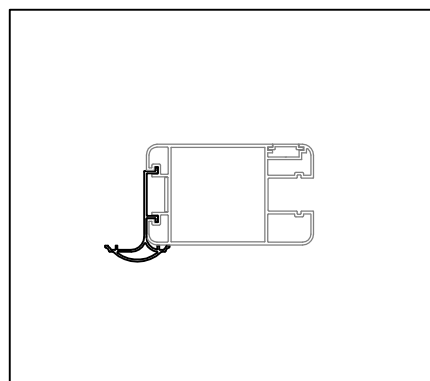
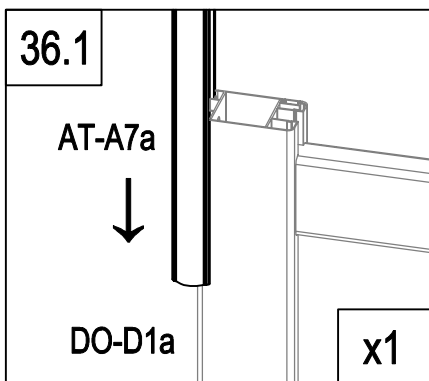
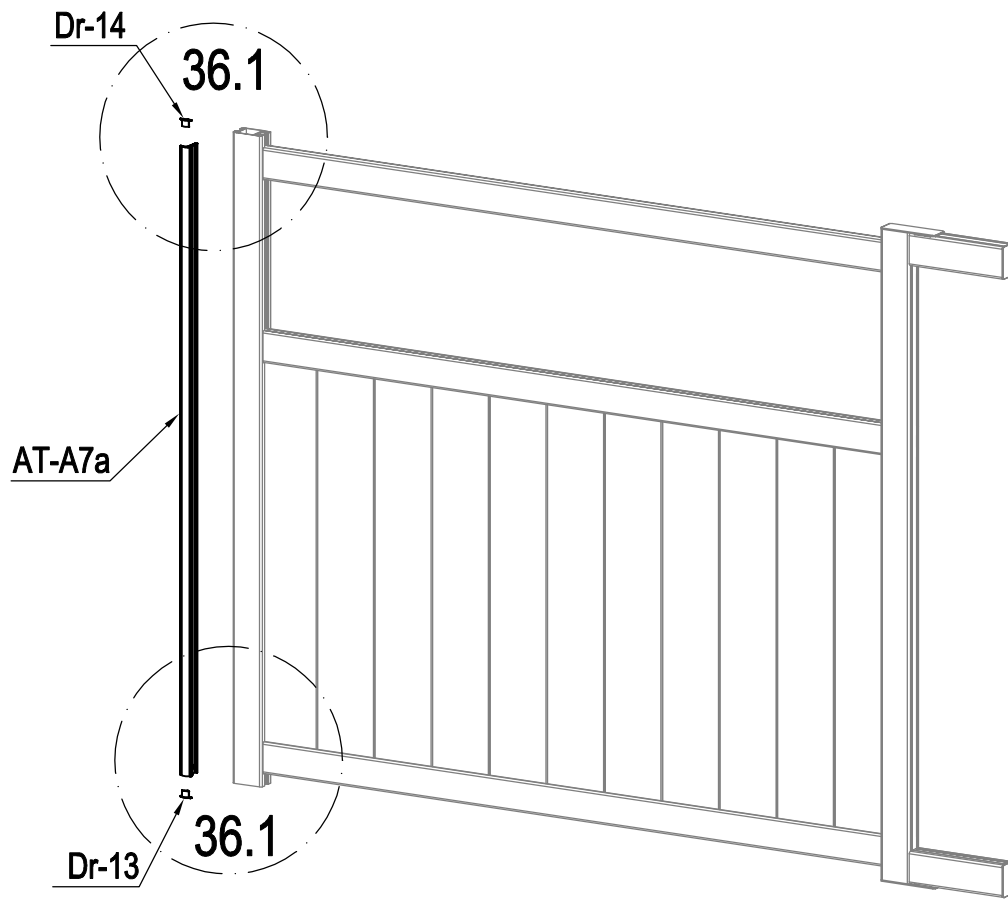
	AT-30	1
	AT-30a	1
	AT-17a	2

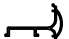


	DO-G38	2
	DO-G35	4

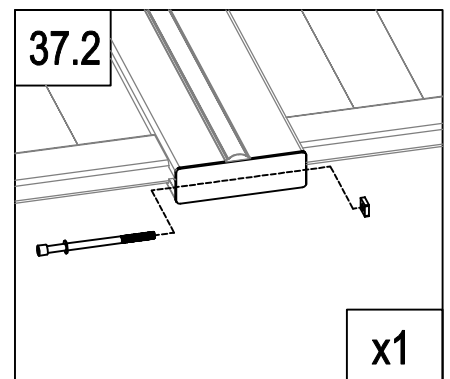
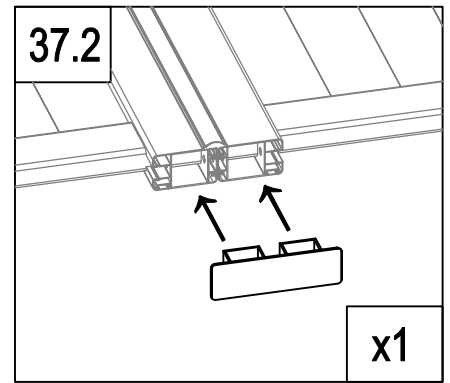
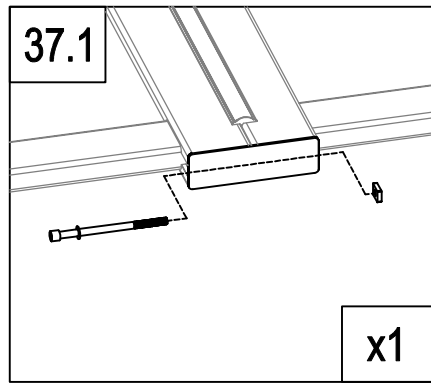
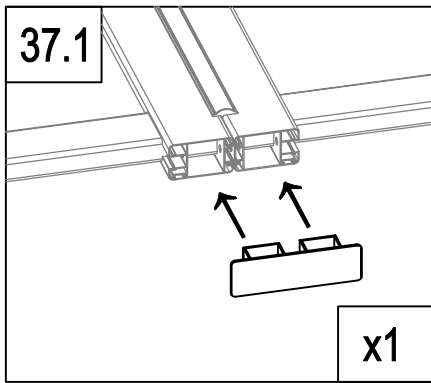
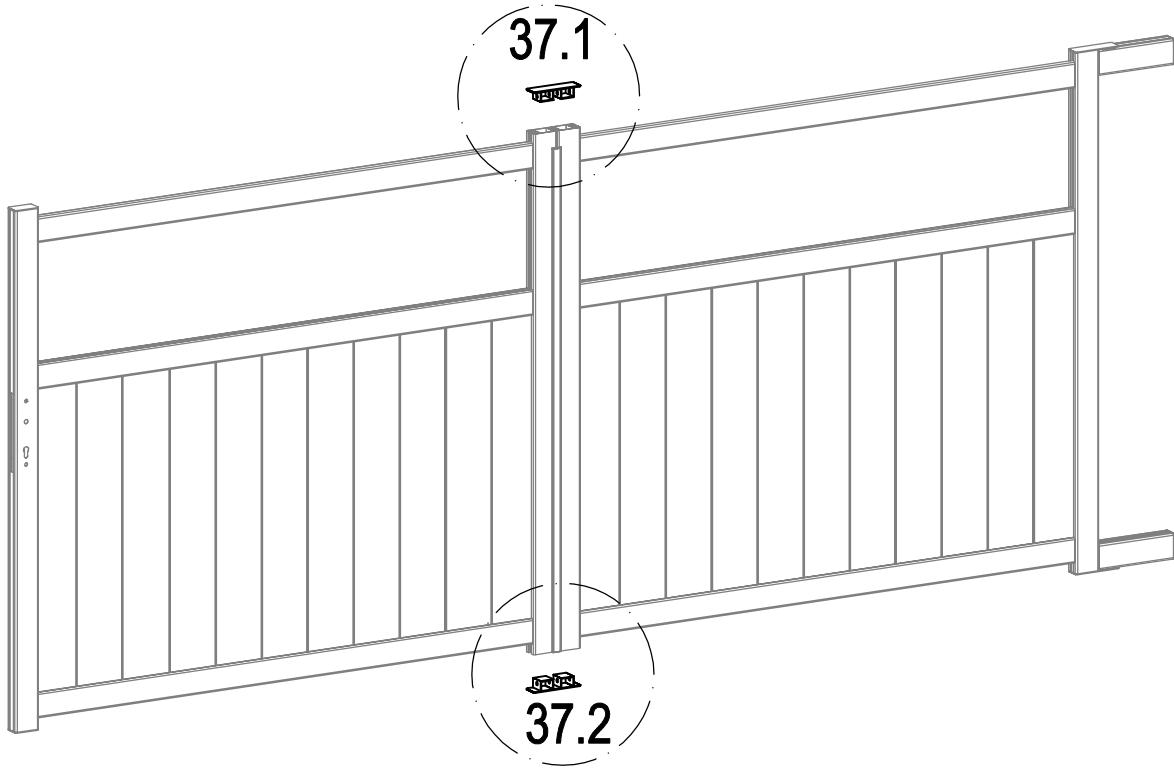




	AT-29	2
	AT-A11a	2
	AT-31	2

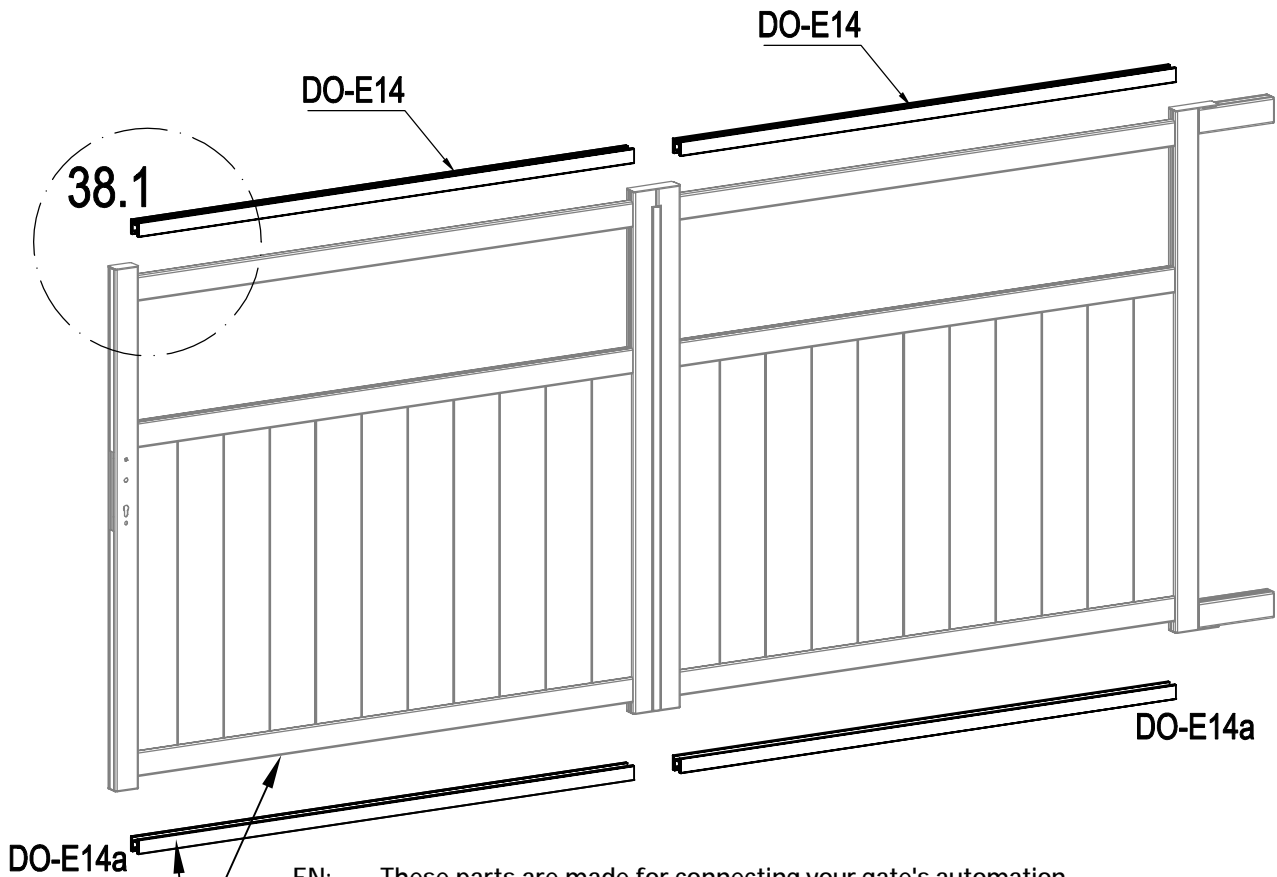
	AT-10	2
	DO-G30	2



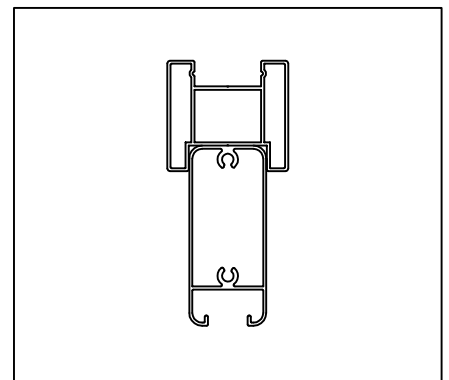
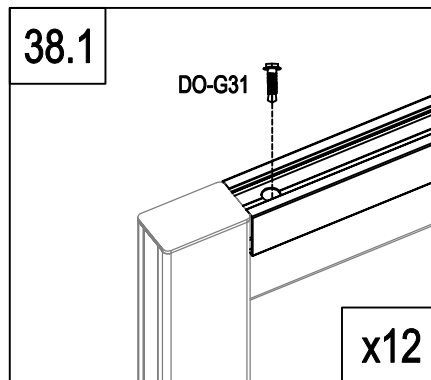
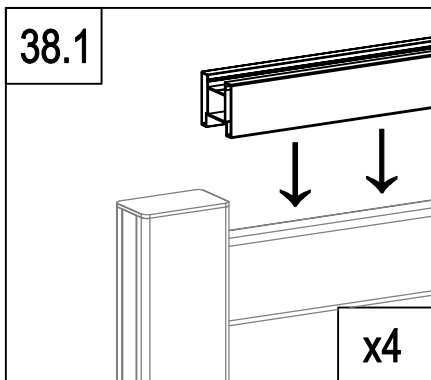
	AT-A7a	1
	Dr-13	1
	Dr-14	1





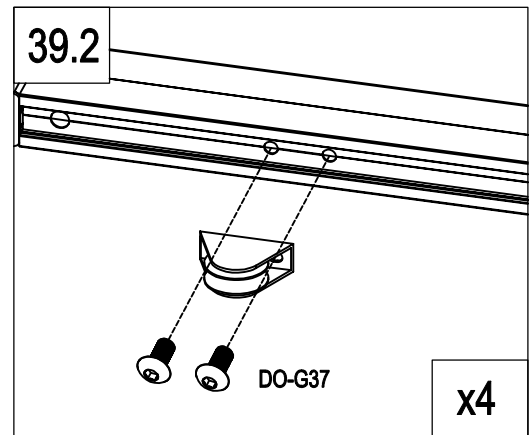
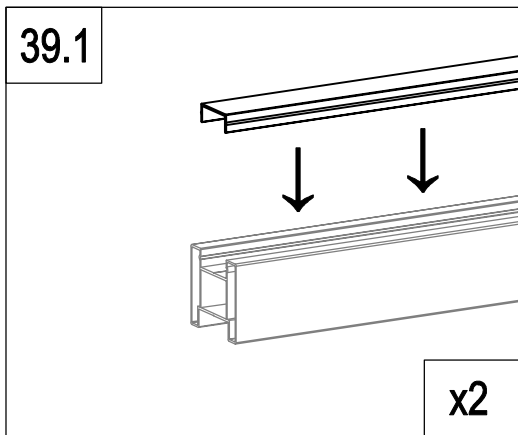
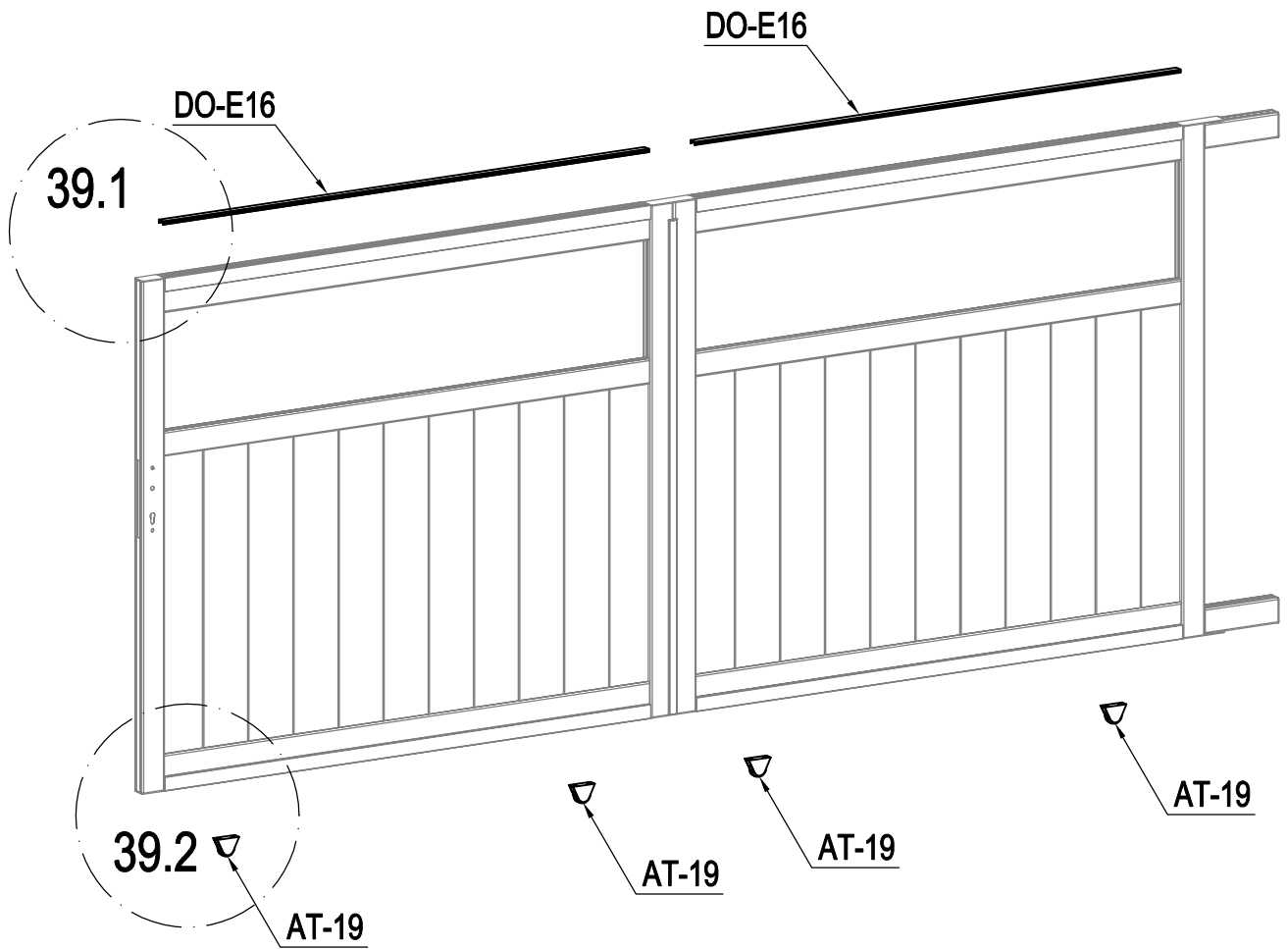
	AT-17	2
	DO-G38	2

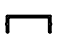




- EN: These parts are made for connecting your gate's automation  
 FR: Ces pièces sont faites pour relier l'automatisation de votre portail  
 DE: Diese Teile sind für den Anschluss der Automatisierung Ihres Tores vorgesehen  
 ES: Estas piezas están hechas para conectar la automatización de su puerta  
 PT: Estas peças são feitas para ligar a automatização do seu portão  
 IT: Queste parti sono realizzate per collegare l'automazione del vostro cancello  
 NL: Deze onderdelen zijn gemaakt voor het aansluiten van de automatisering van uw poort.  
 PL: Te części są wykonane do podłączenia automatyki bramy.

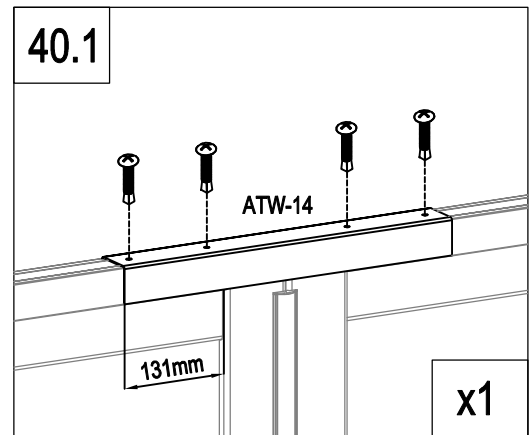
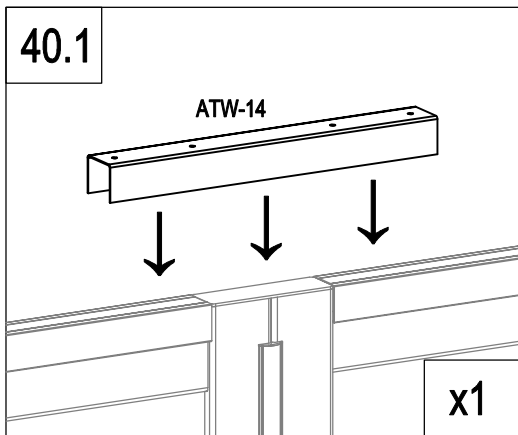
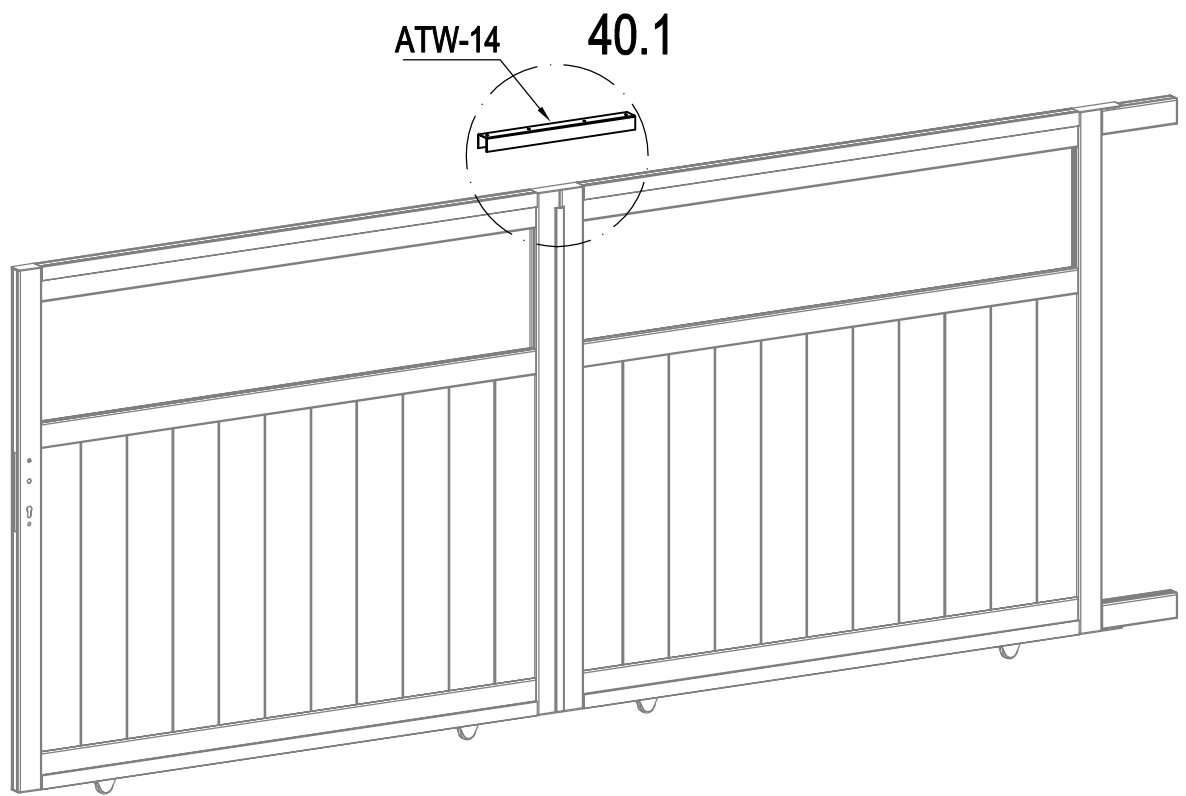




	DO-E14	2
	DO-E14a	2
	DO-G31	12

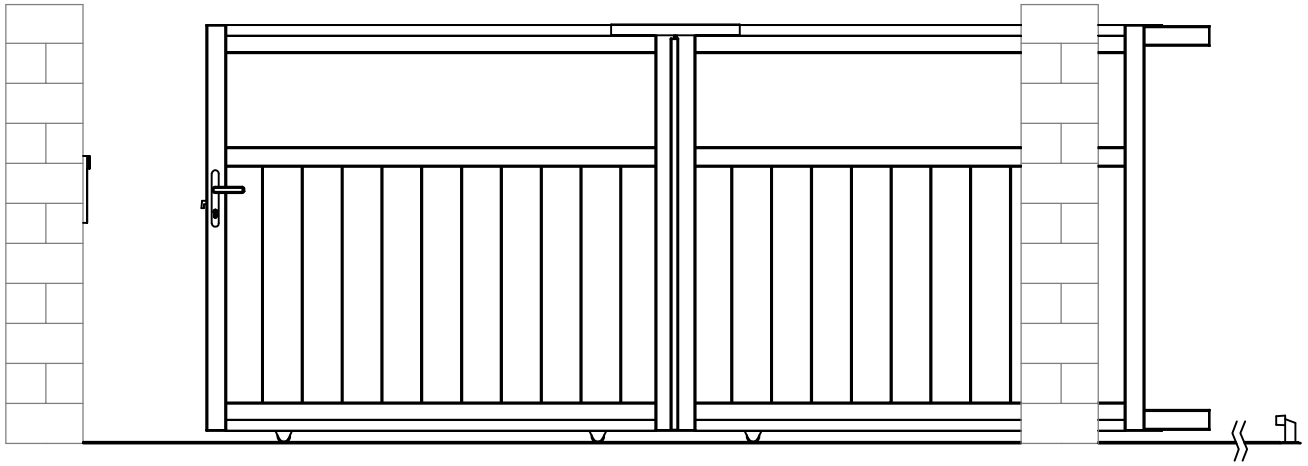


	DO-E16	2
	AT-19	4
	DO-G37	8

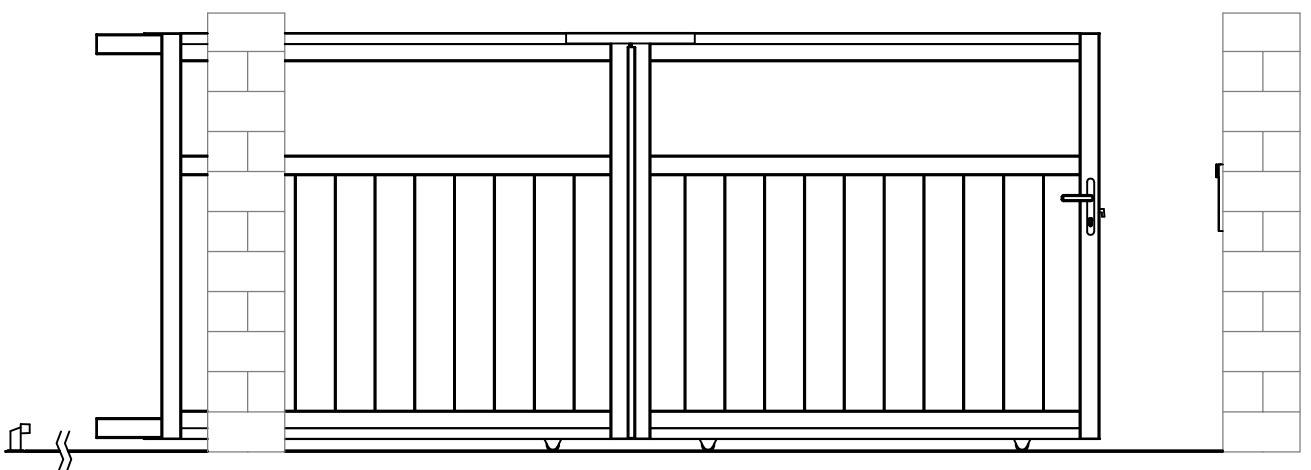




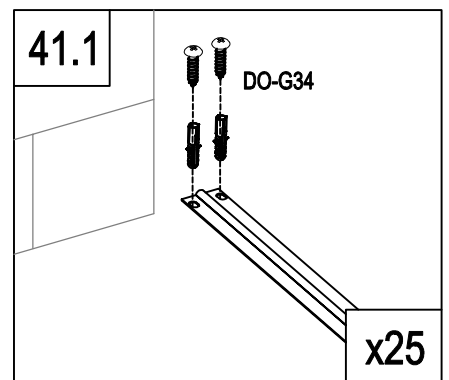
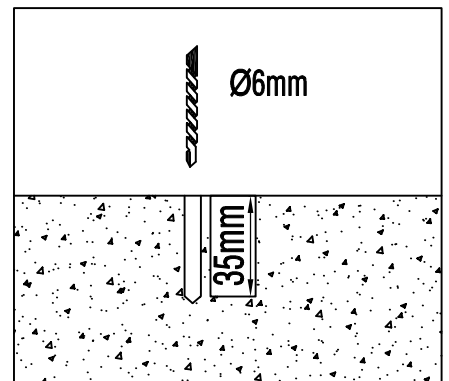
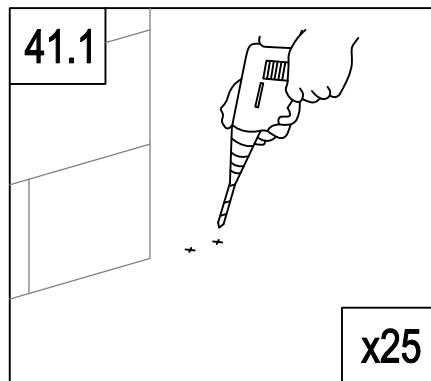
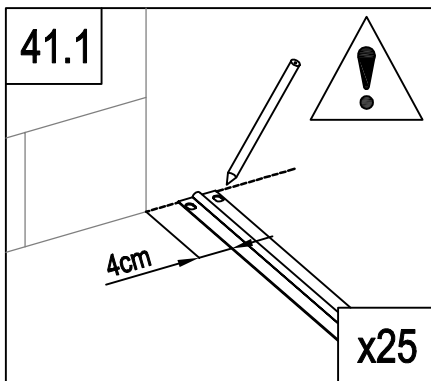
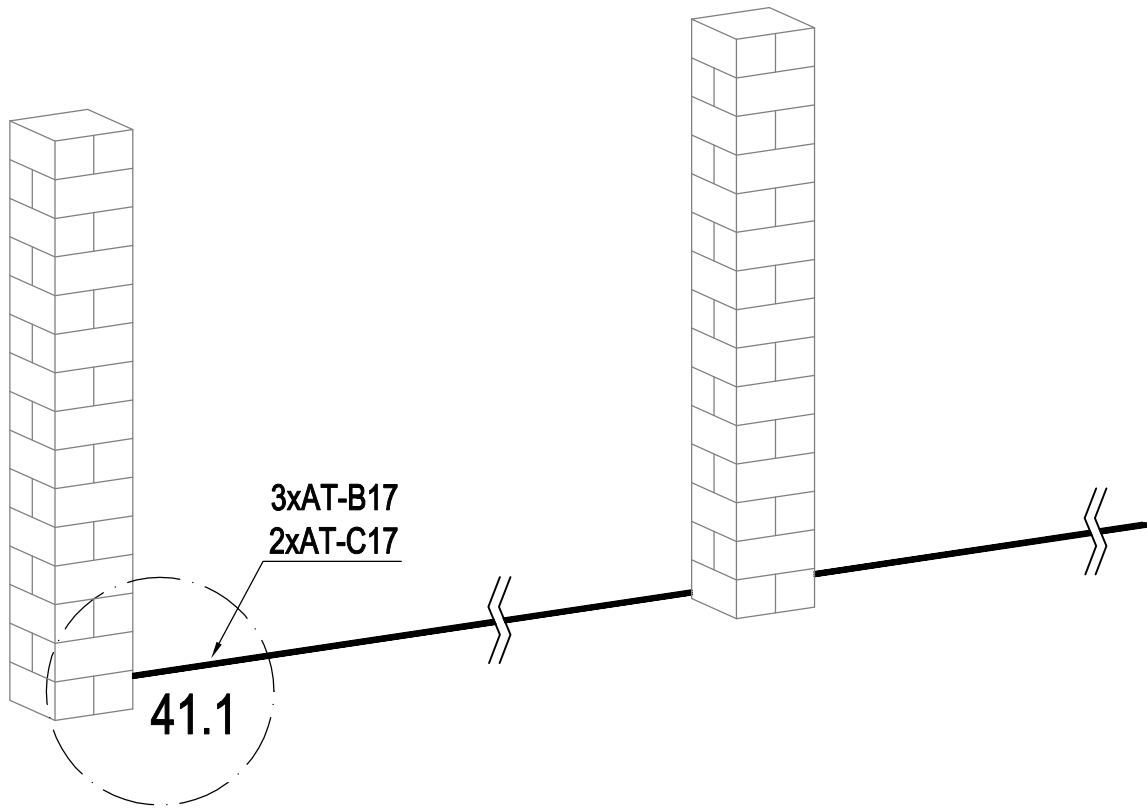
	ATW-14	1
	DO-G32	4





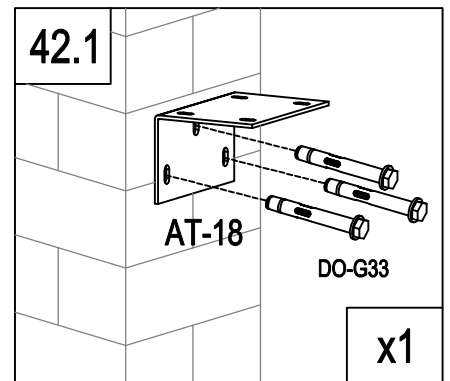
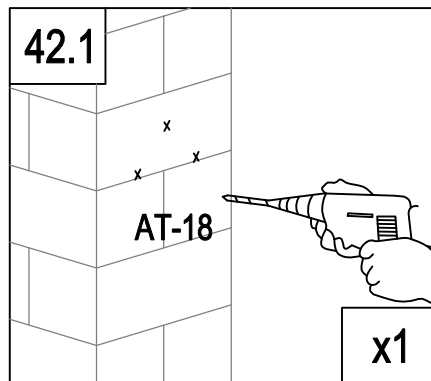
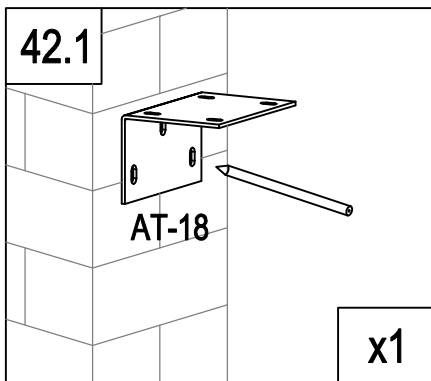
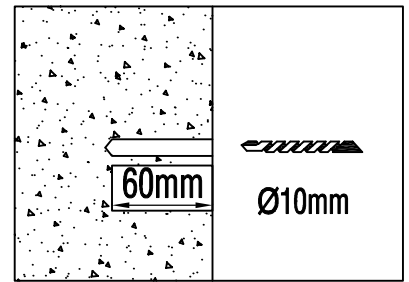
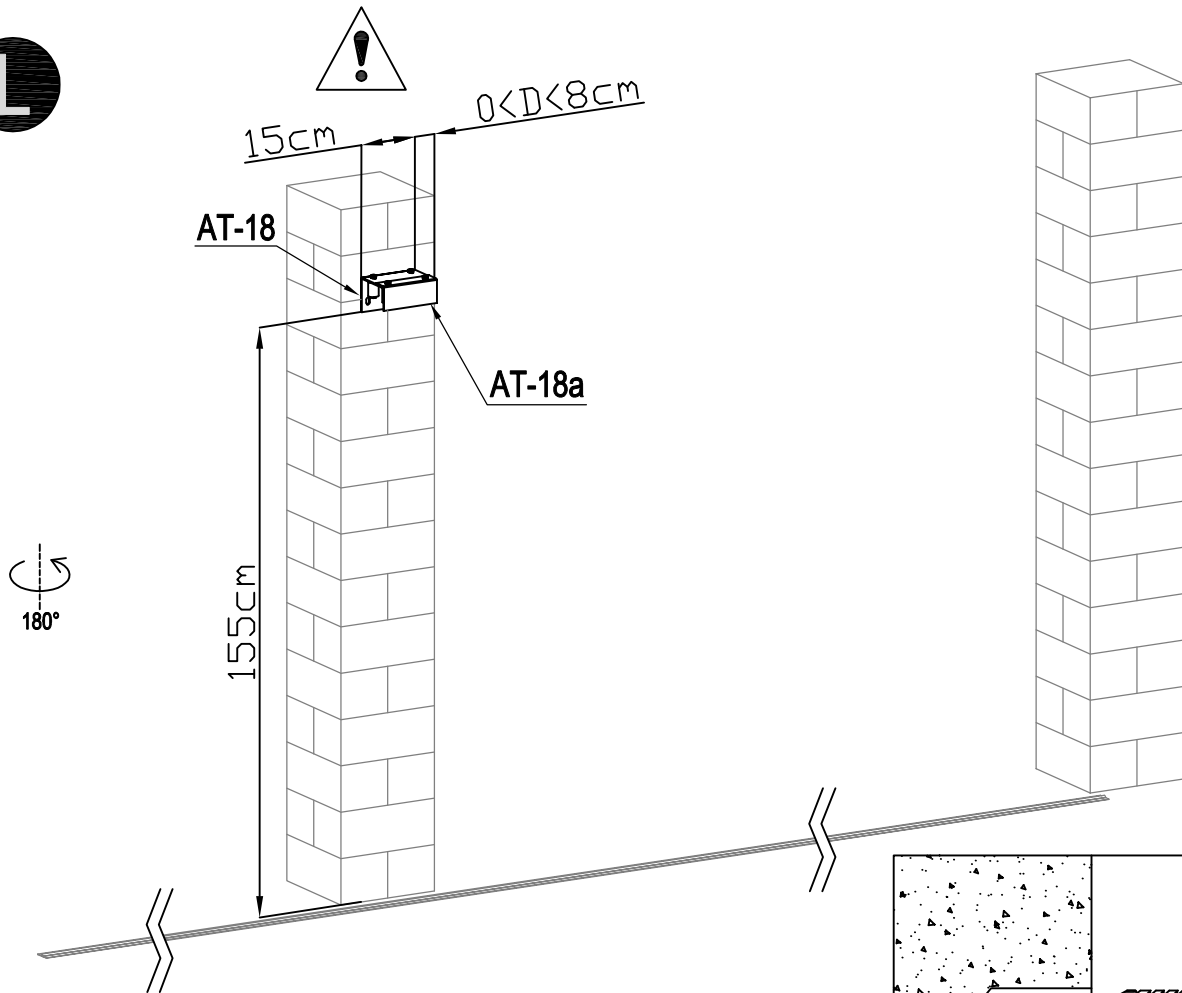
**L** : P 44~49



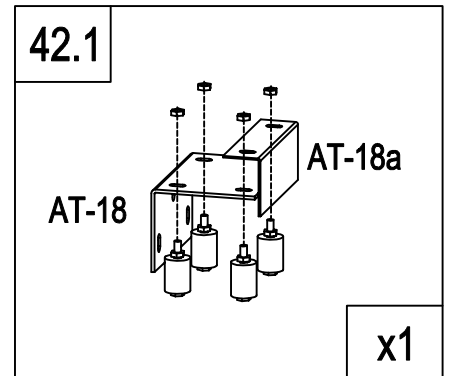
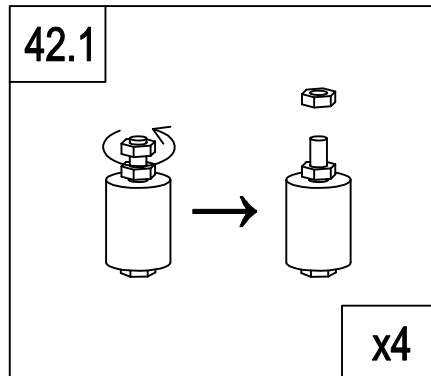
**R** : P 50~55



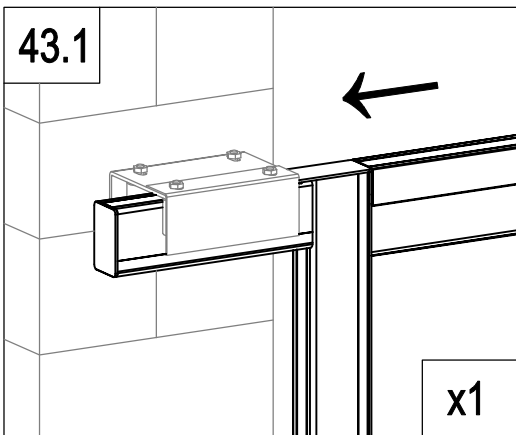
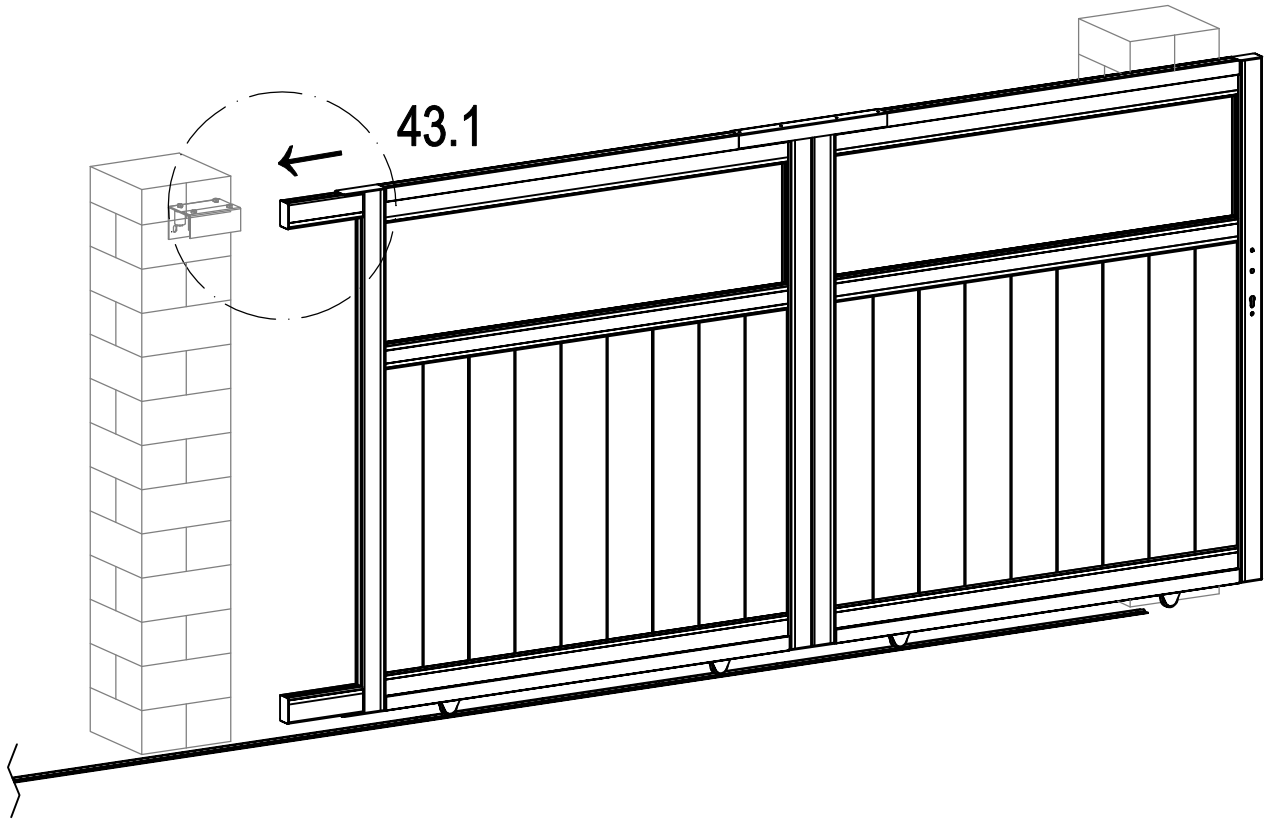
	AT-B17	3
	AT-C17	2
	DO-G34	50



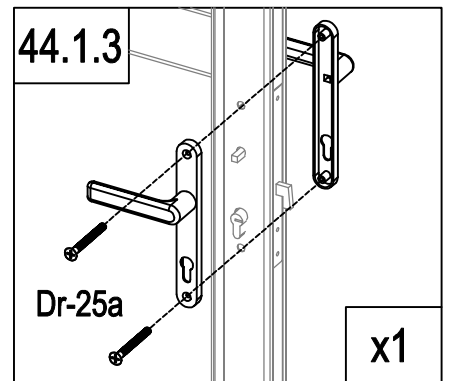
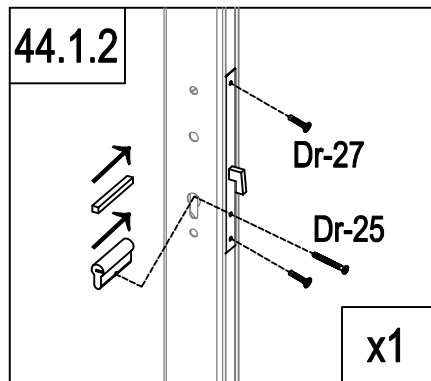
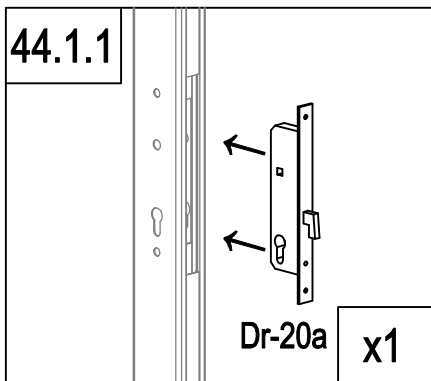
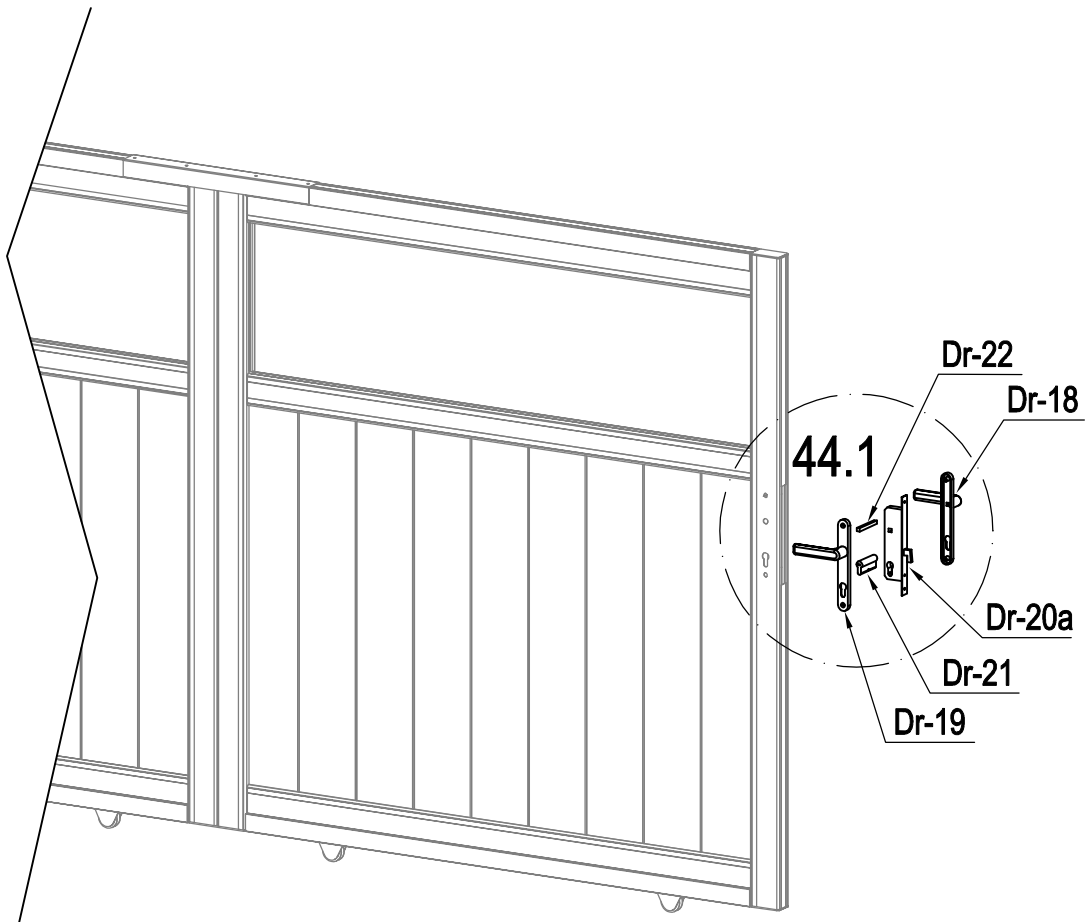
	AT-18	1
	AT-18a	1
	AT-20	4
	DO-G33	3



L



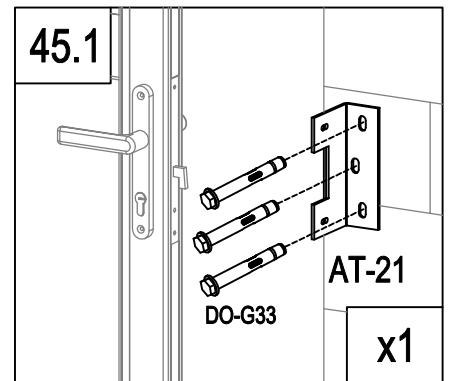
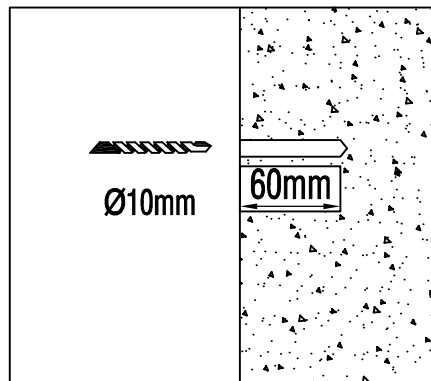
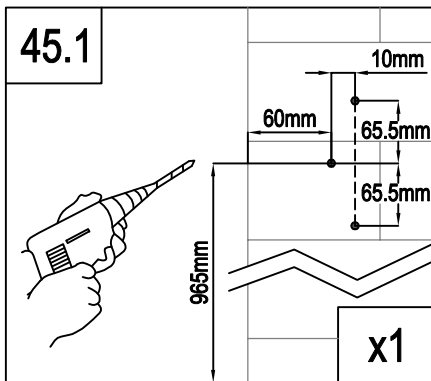
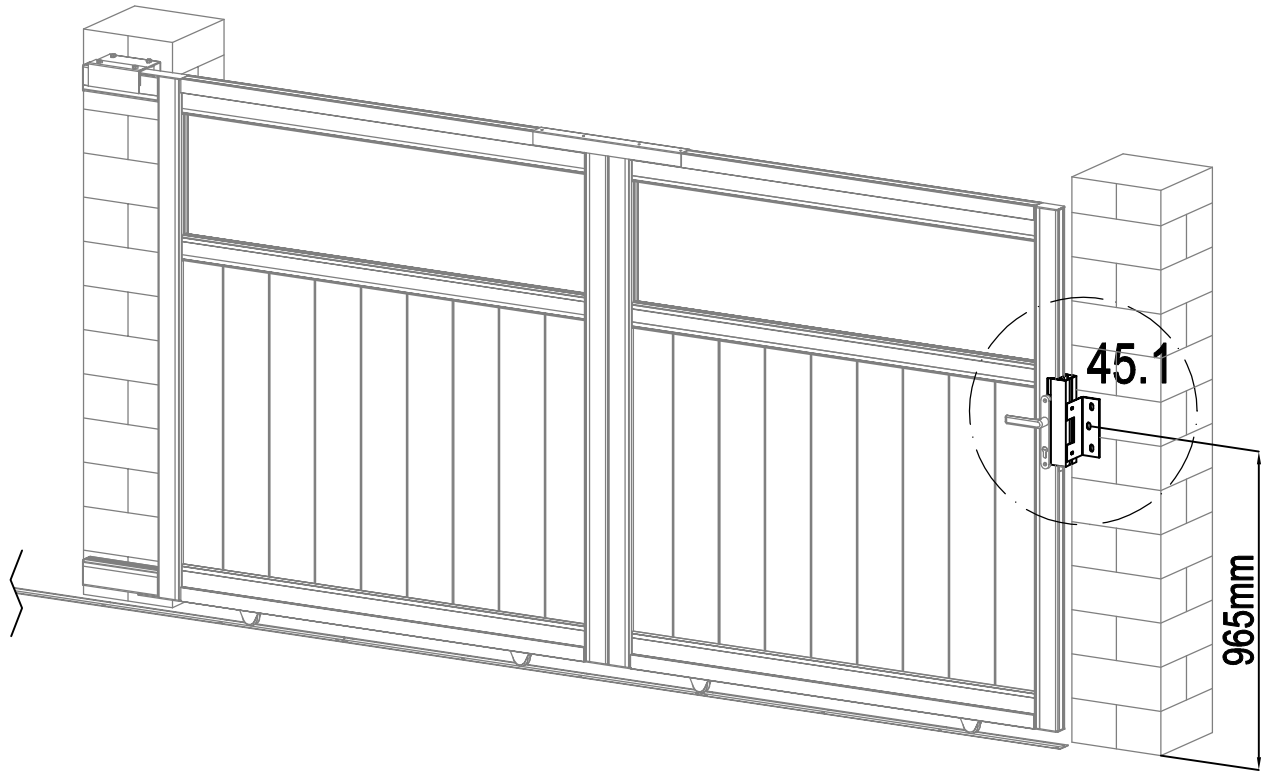
L



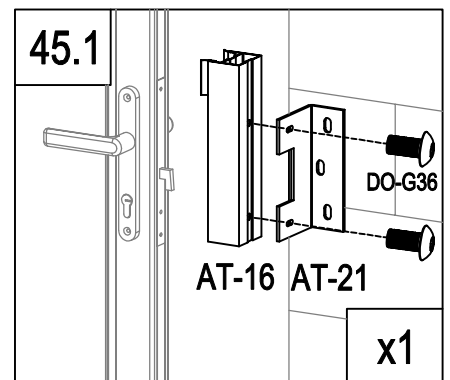
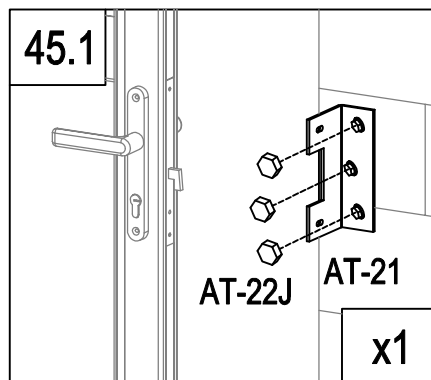
	Dr-20a	1
	Dr-21	1
	Dr-22	1
	Dr-25	1

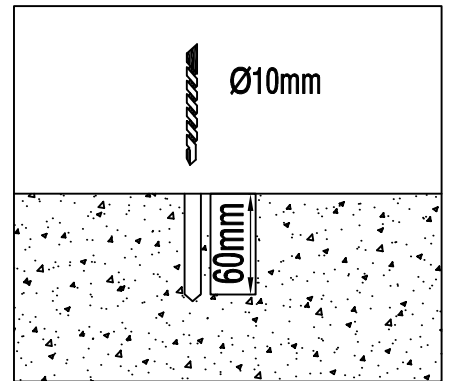
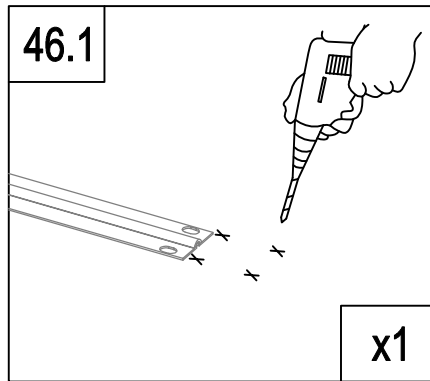
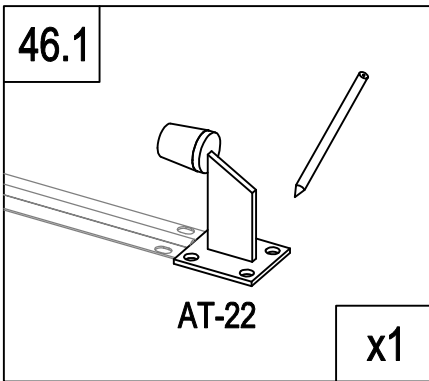
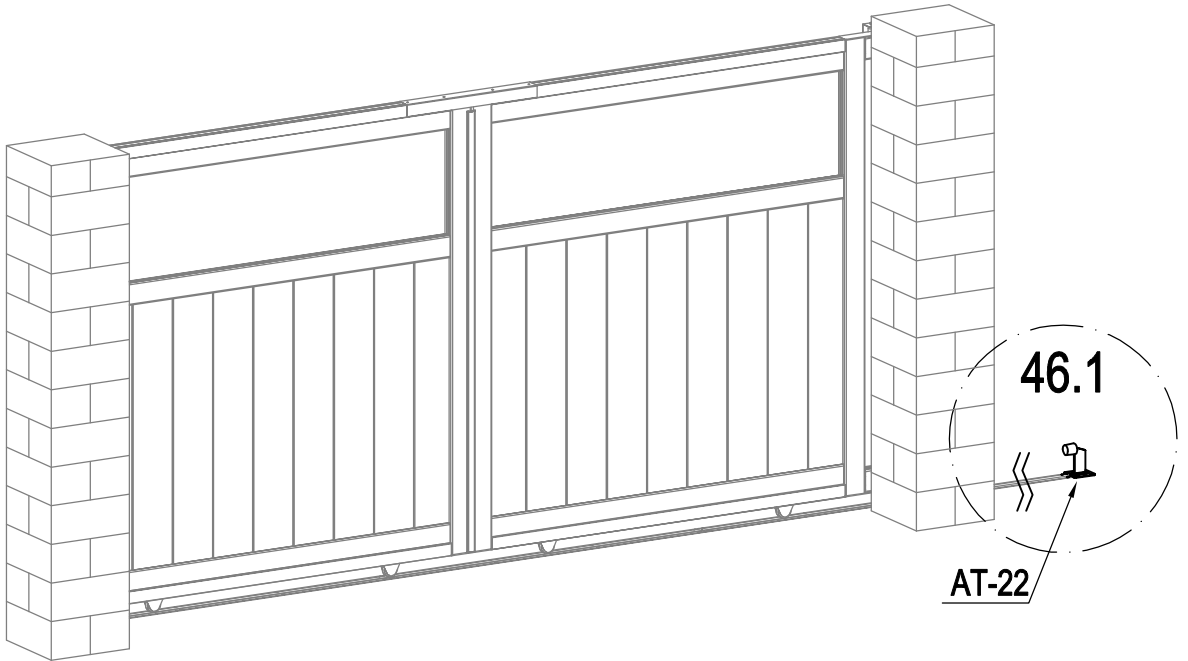
	Dr-18	1
	Dr-19	1
	Dr-25a	2
	Dr-27	2

L

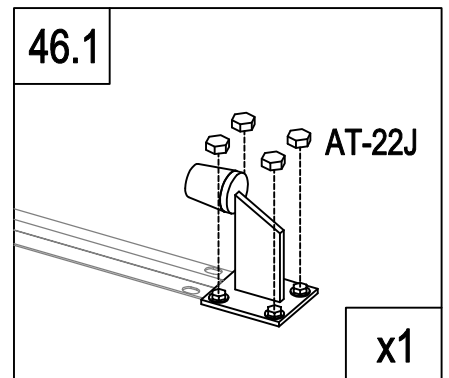
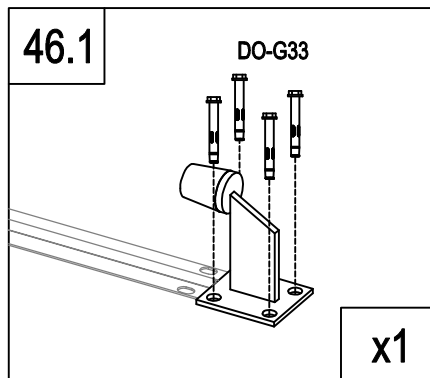


	AT-16	1
	AT-21	1
	DO-G36	2
	DO-G33	3
	AT-22J	3

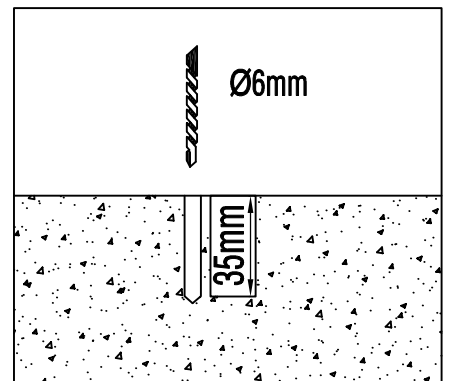
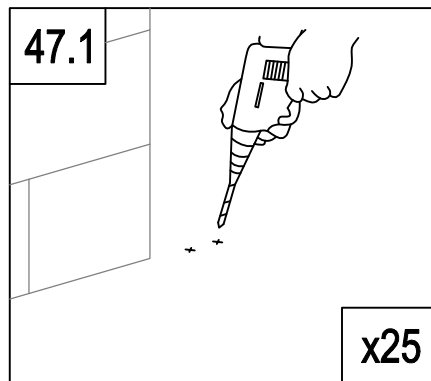
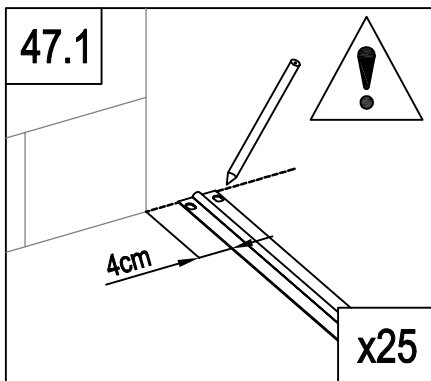
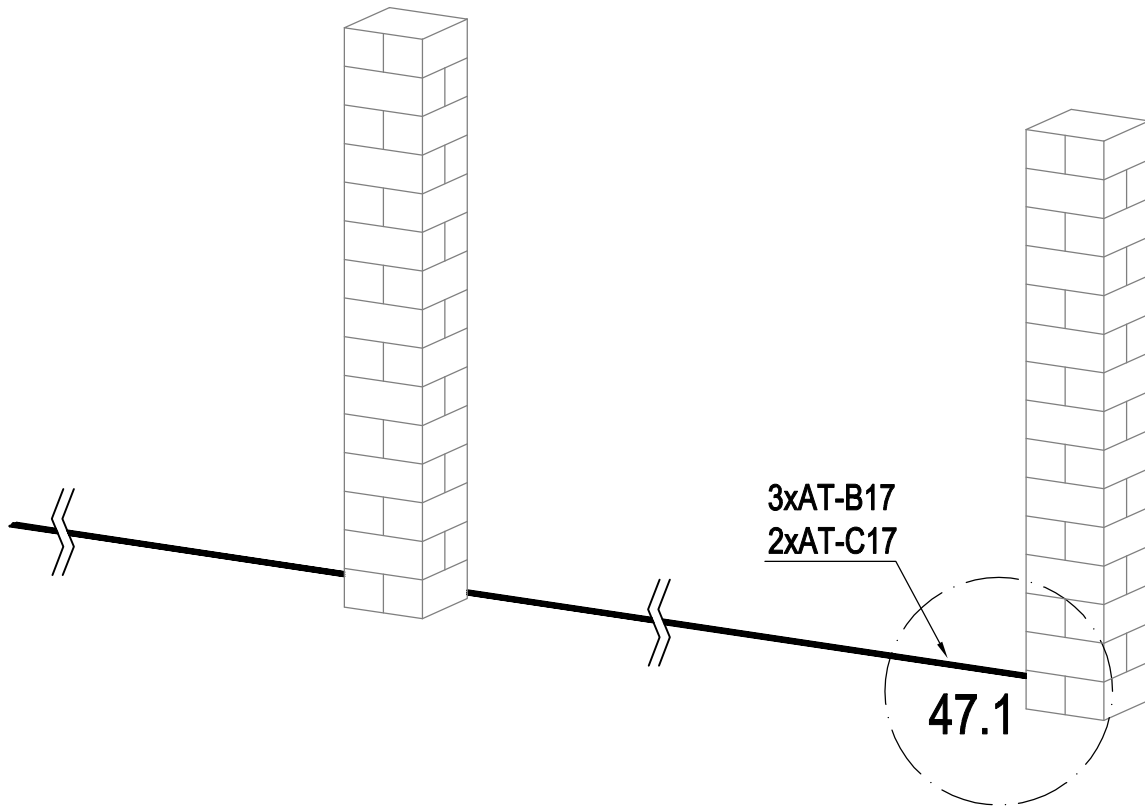






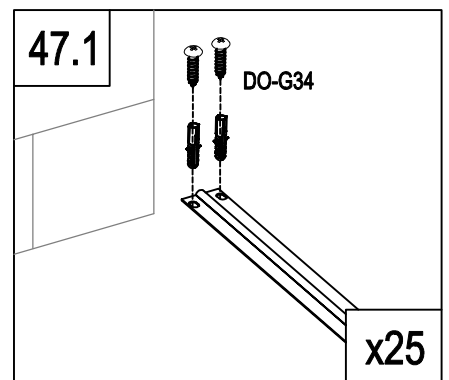
	AT-22	1
	DO-G33	4
	AT-22J	4





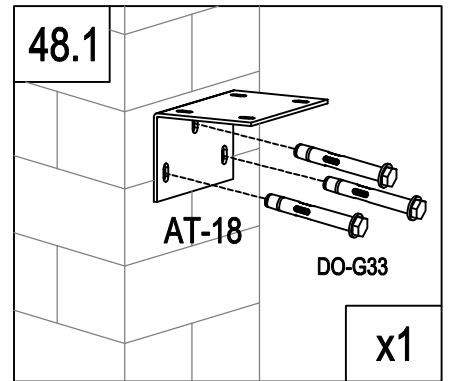
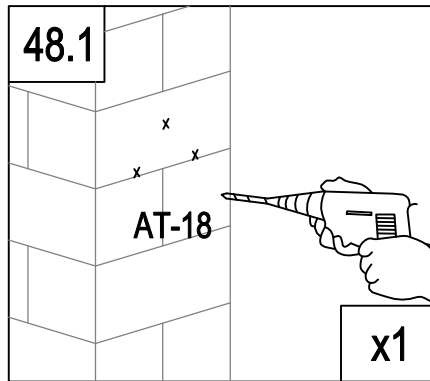
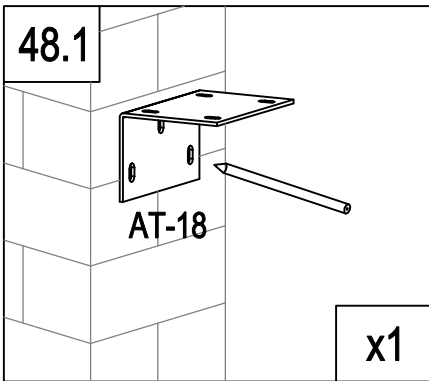
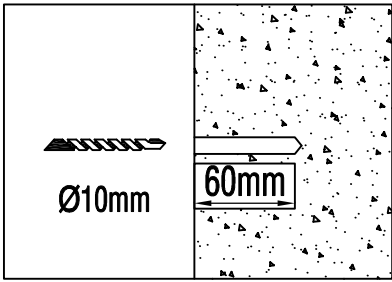
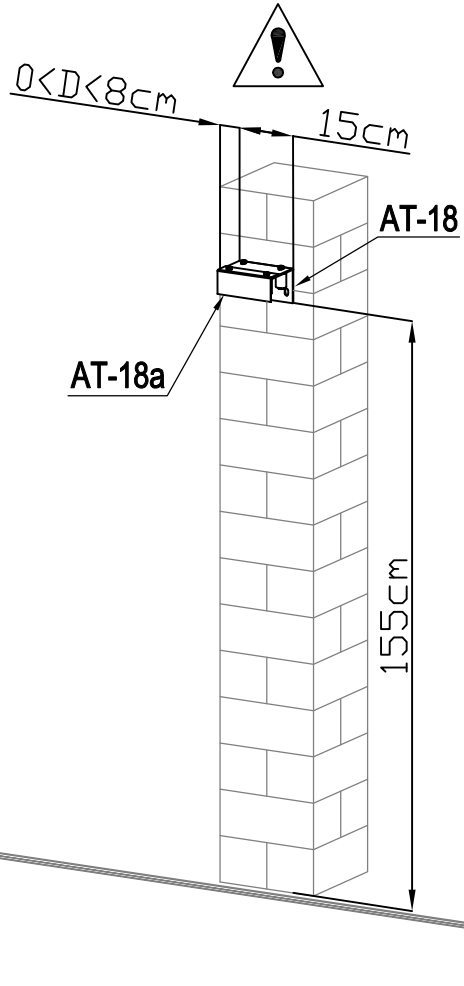
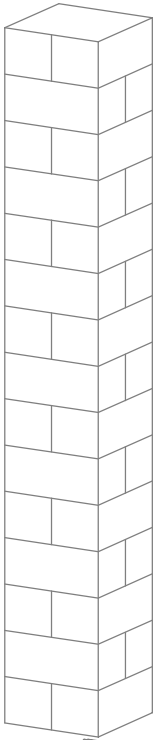


	AT-B17	3
	AT-C17	2
	DO-G34	50

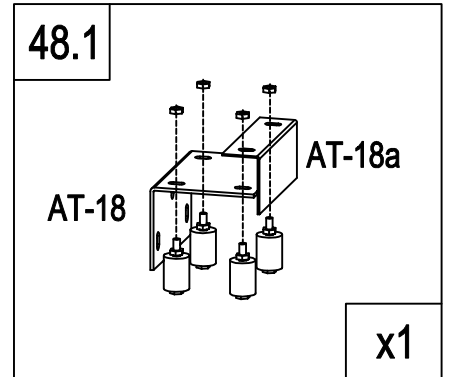
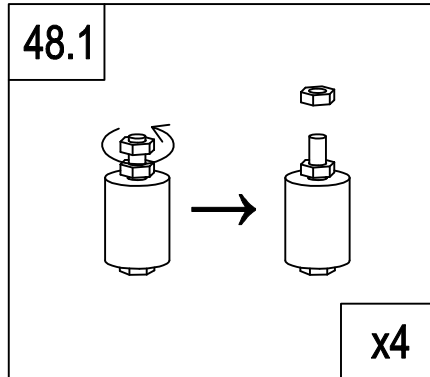


**R**

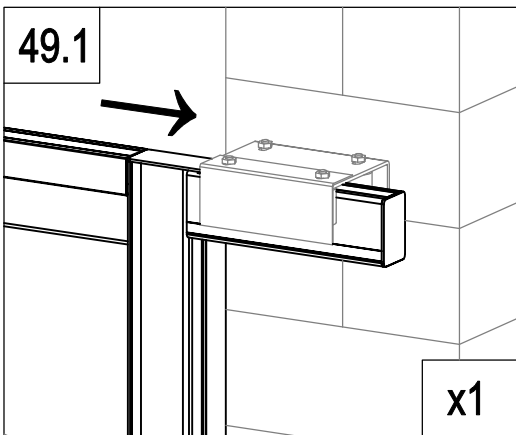
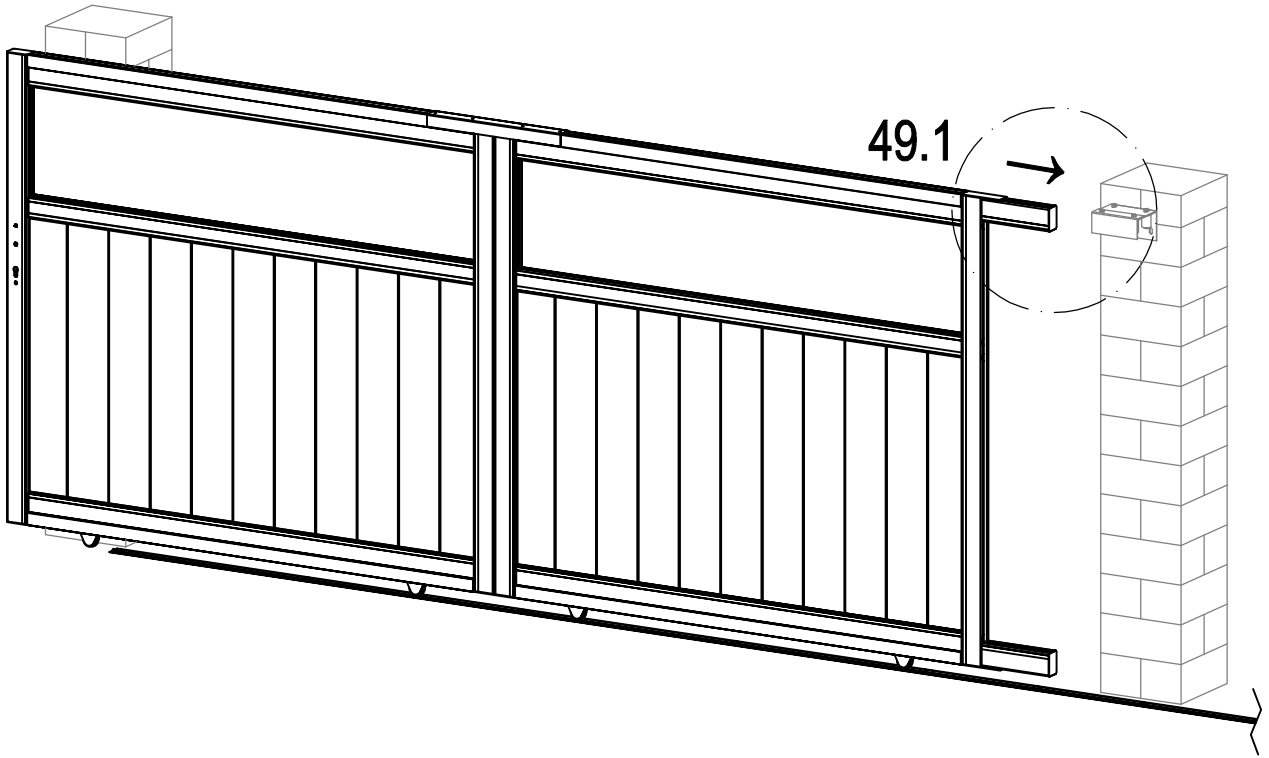
180°

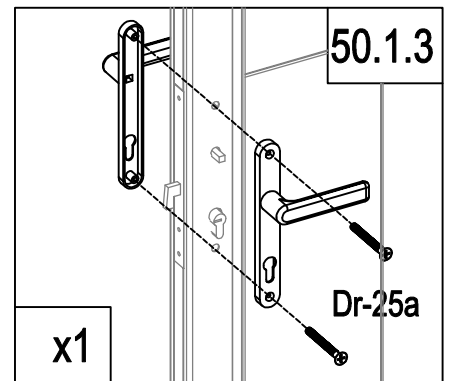
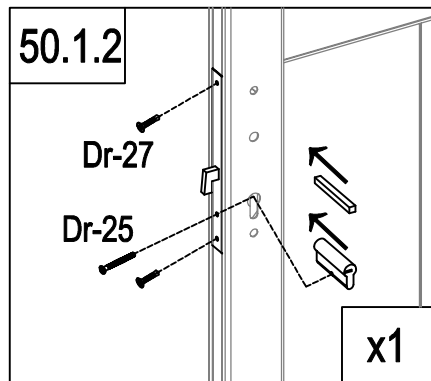
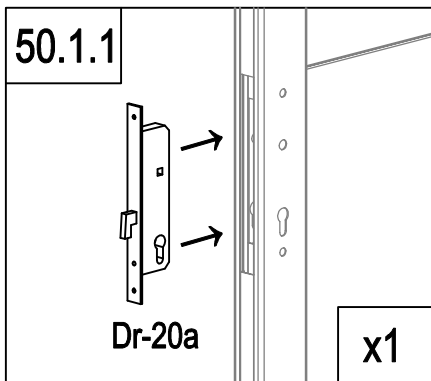
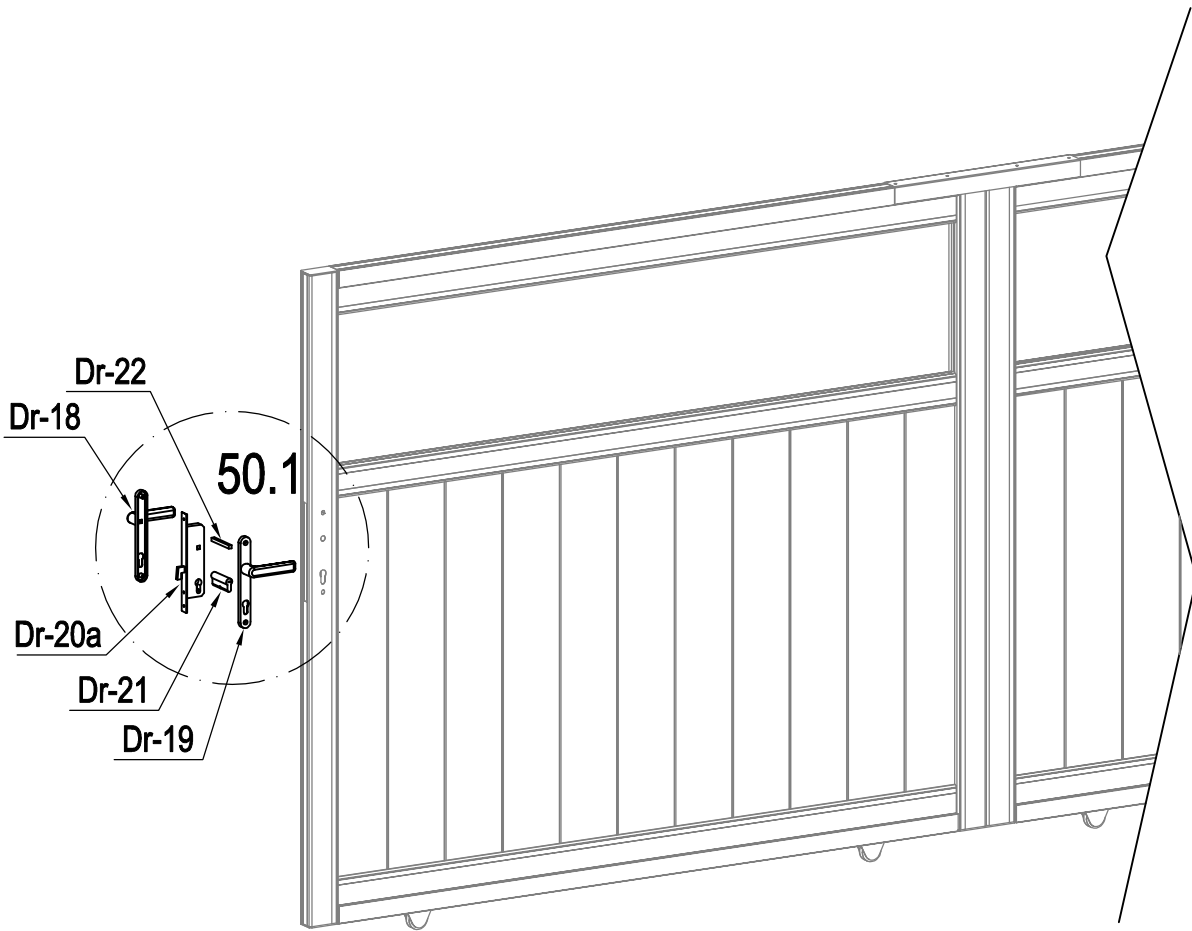


	AT-18	1
	AT-18a	1
	AT-20	4
	DO-G33	3



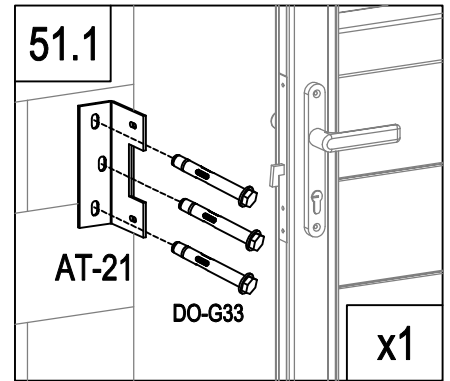
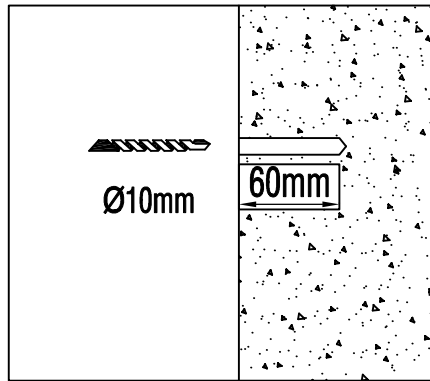
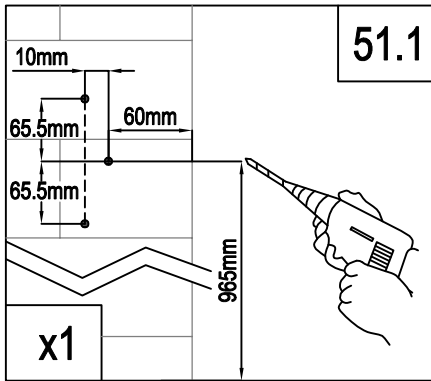
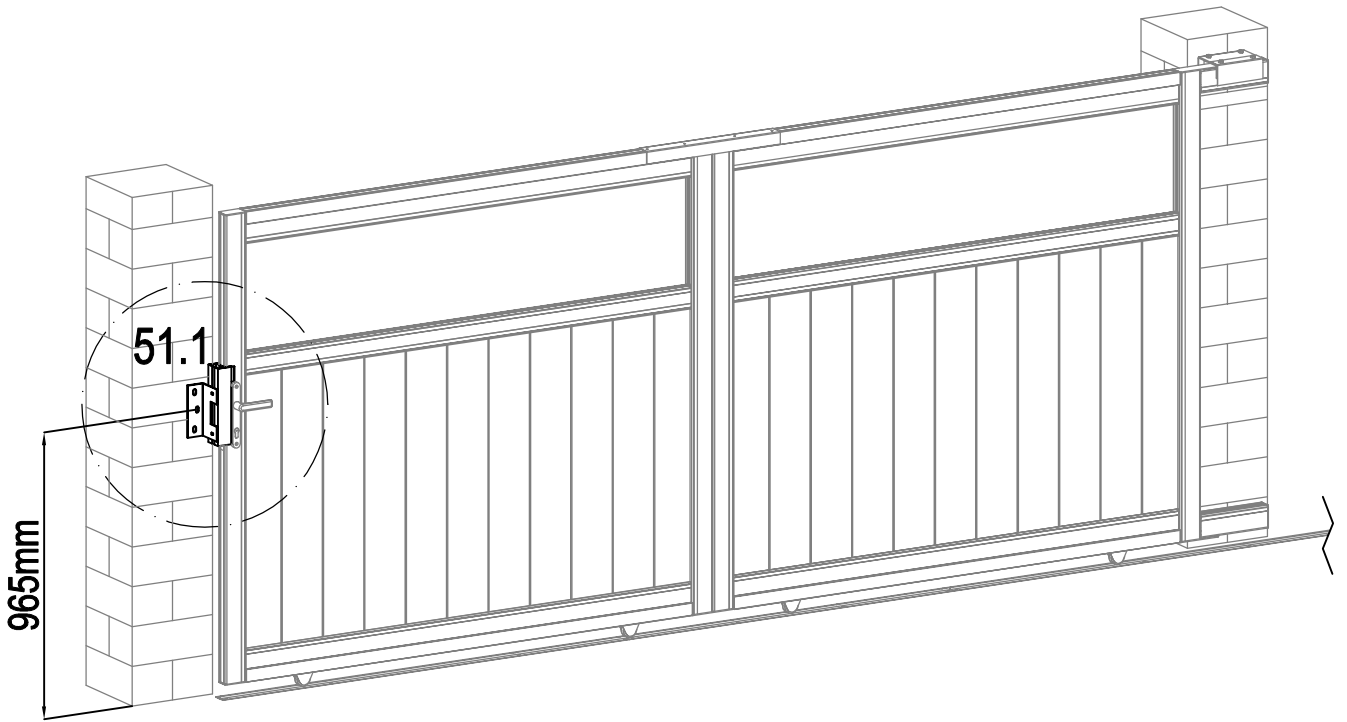
R



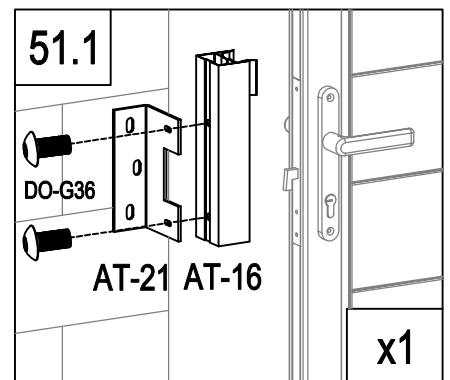
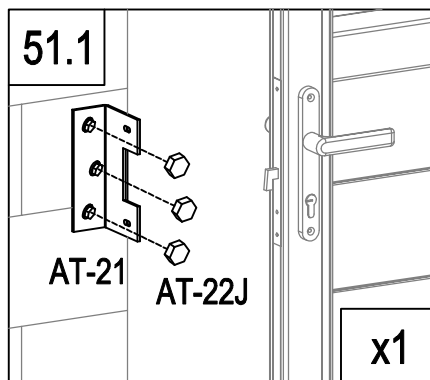


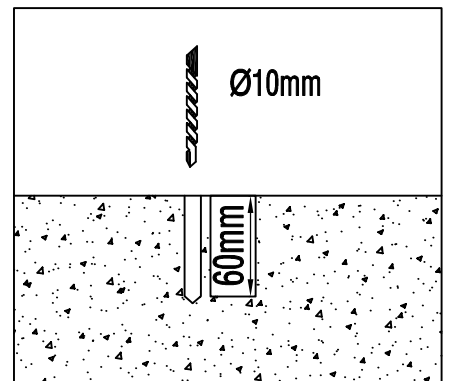
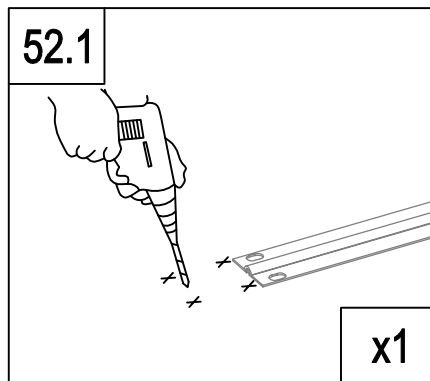
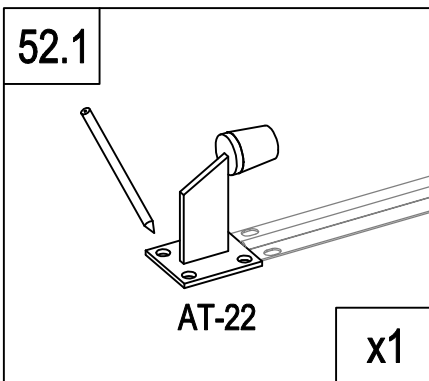
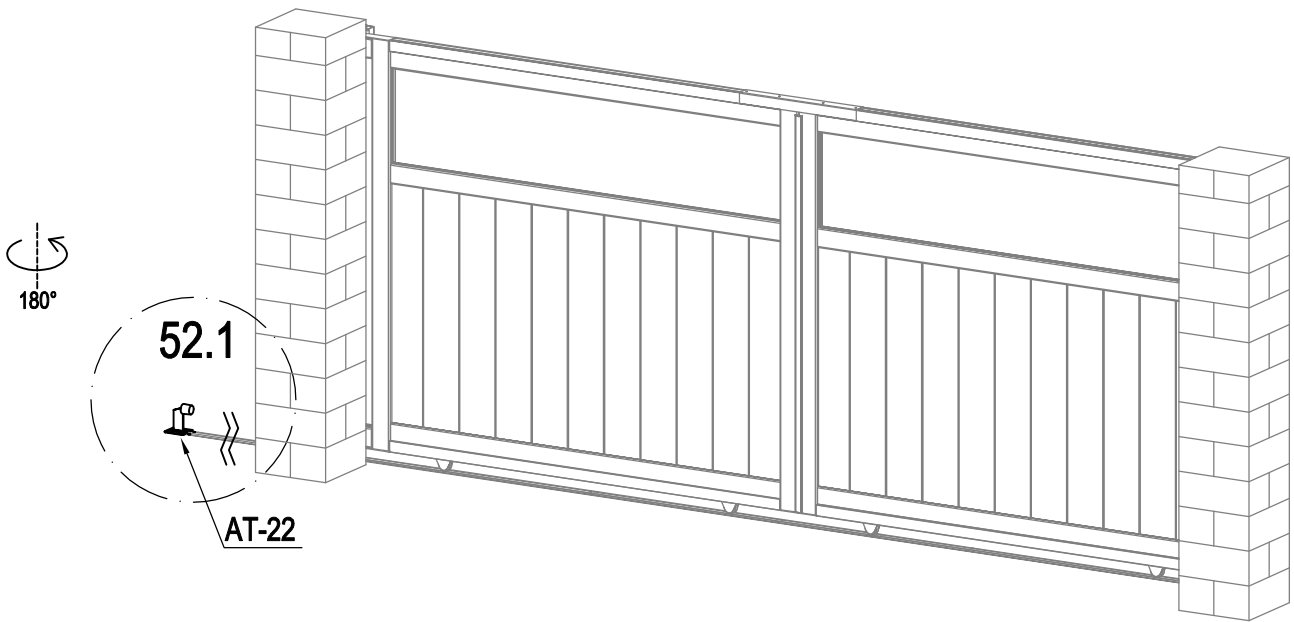
	Dr-20a	1
	Dr-21	1
	Dr-22	1
	Dr-25	1

	Dr-18	1
	Dr-19	1
	Dr-25a	2
	Dr-27	2



	AT-16	1
	AT-21	1
	DO-G36	2
	DO-G33	3
	AT-22J	3





	AT-22	1
	DO-G33	4
	AT-22J	4

