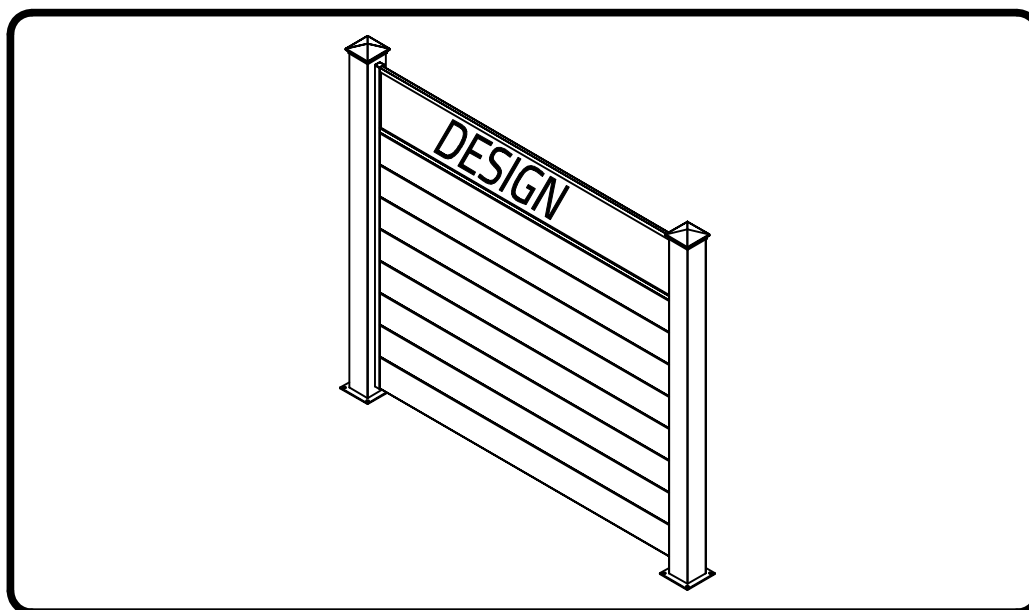


# CASANOVO

## CLOTURE ART 190H170



2-3H



x2

COM-000248

[x1]

COM-000249

[x1]

COM-000\*DESIGN\*

[x1]

\*Selon modèle

FR

EN

ES

DE

IT

NL

PL

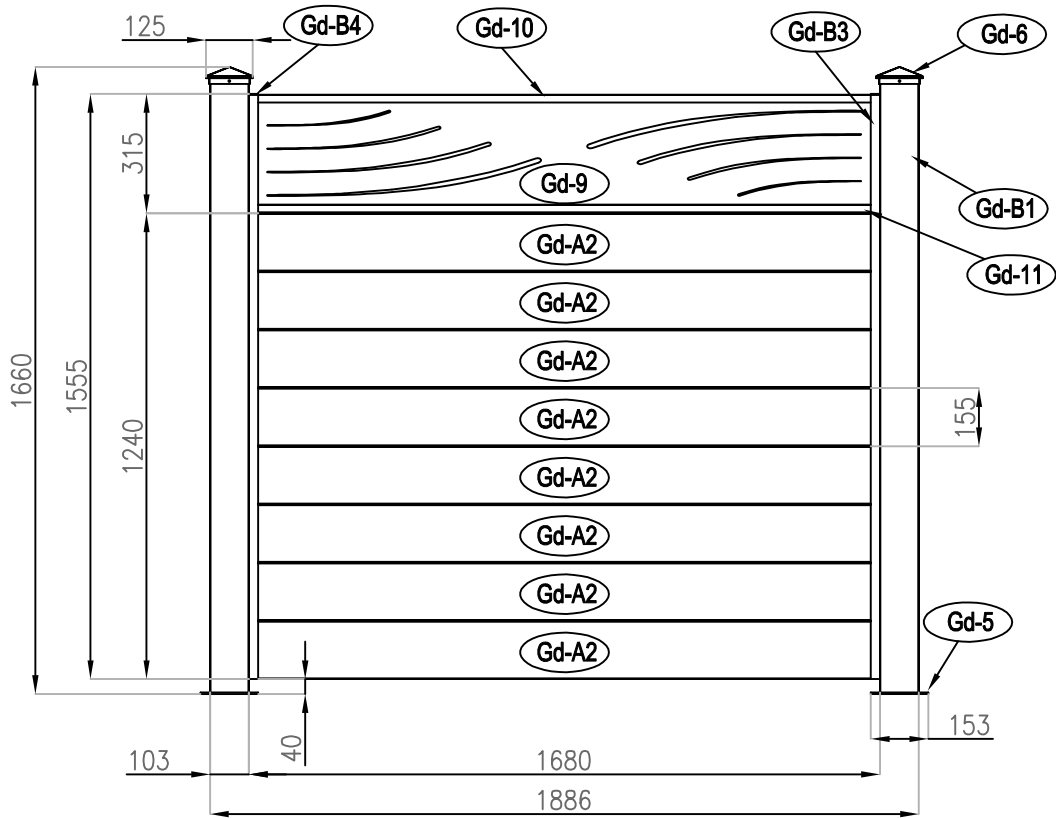
PT




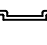













FI




SE

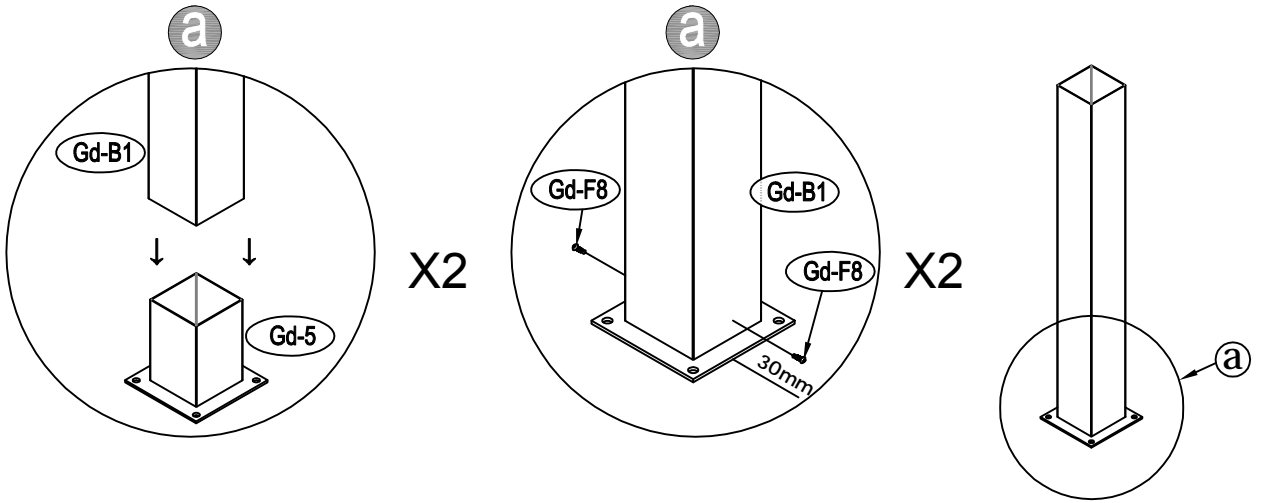
DK



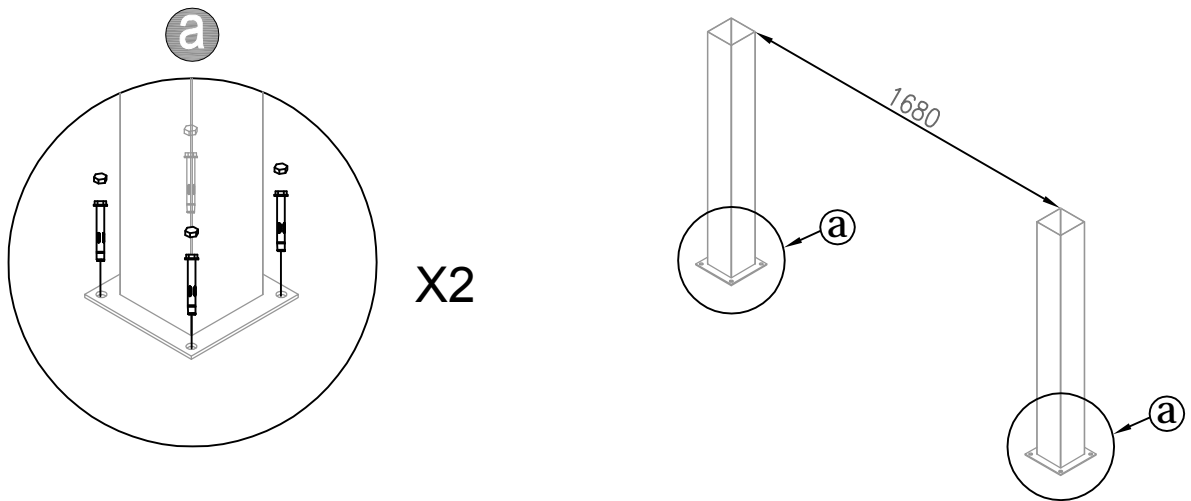


Gd-B1		1635mm	x2	1/3
Gd-A2		1665mm	x8	2/3
Gd-B3		1555mm	x2	1/3
Gd-B4		1555mm	x2	1/3
Gd-9		1661mm	x1	3/3
Gd-10		1665mm	x1	1/3
Gd-11		1665mm	x1	1/3
Gd-12		271mm	x2	1/3
Gd-13		1610mm	x4	1/3
Gd-5		153X153mm	x2	1/3
Gd-6		125X125mm	x2	1/3
Gd-7		M10x60mm	x8	1/3
Gd-L		27x25mm	x1	1/3
Gd-R		27x25mm	x1	1/3
Gd-F8		ST5x16mm	x20	1/3
Gd-F9		ST4x13mm	x44	1/3
Gd-20			x8	1/3

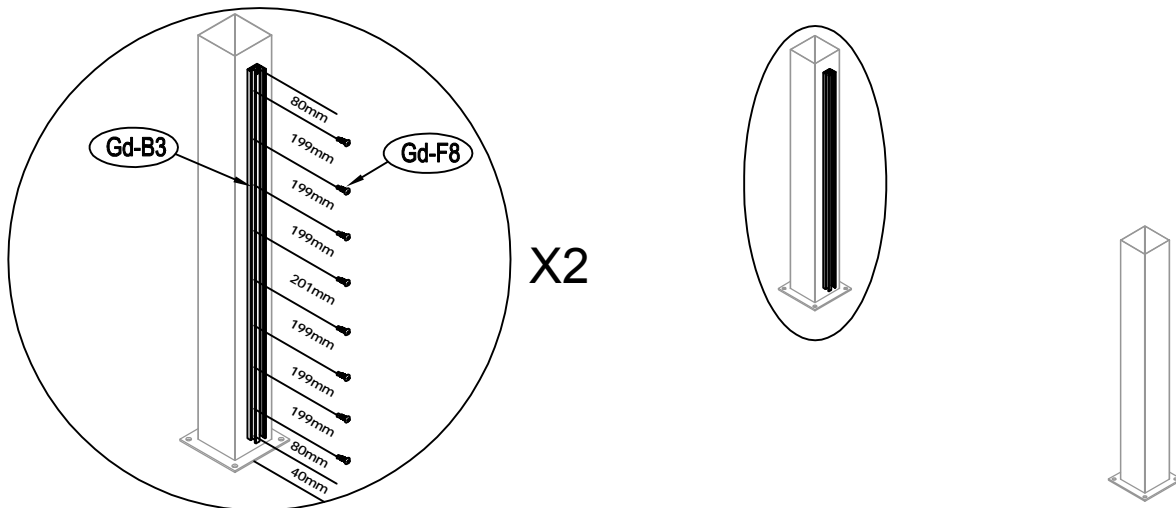
1	 Gd-B1 [x2]	 Gd-5 [x2]	 Gd-F8 [x4]	
---	---	--	---	--



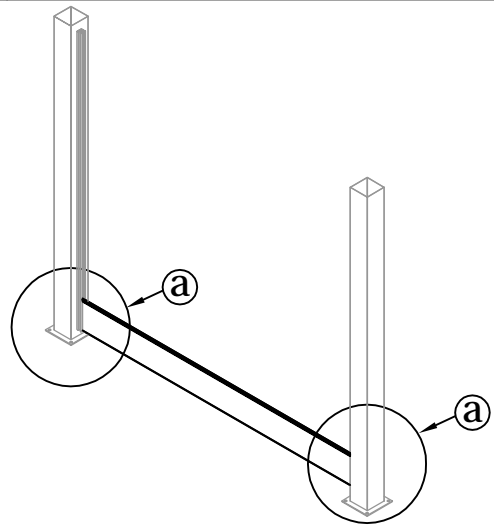
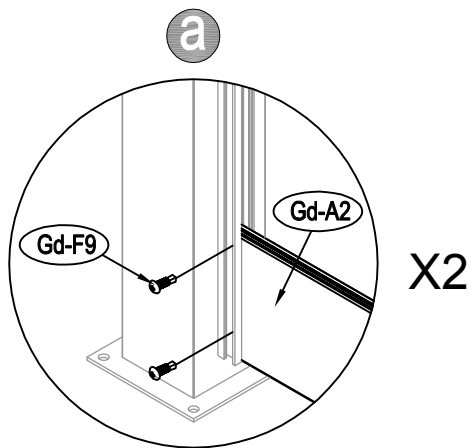
2	 Gd-7 [x8]	 Gd-20 [x8]		
---	--	---	--	--



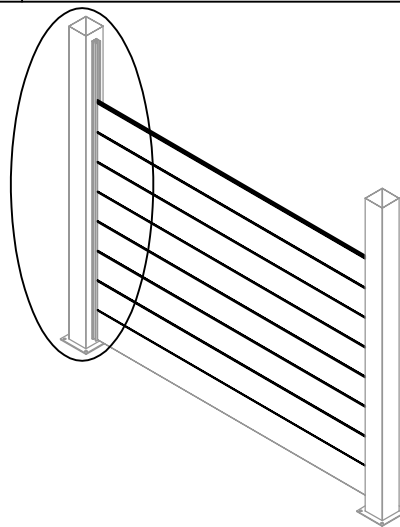
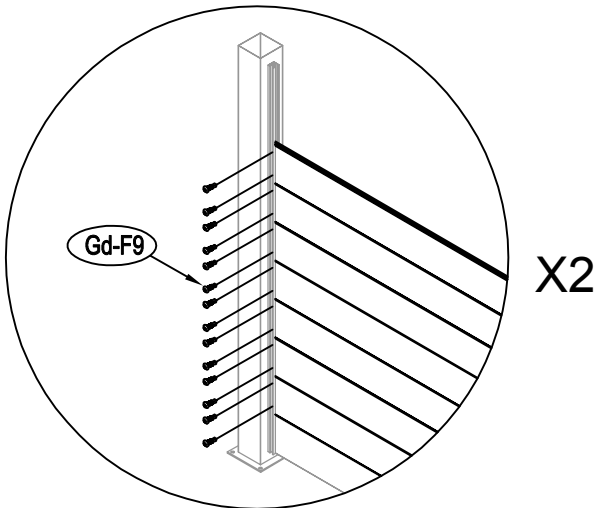
3	 Gd-B3 [x2]	 Gd-F8 [x16]		
---	---	--	--	--




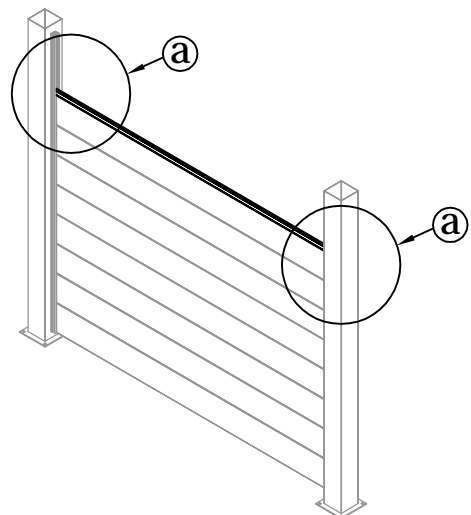
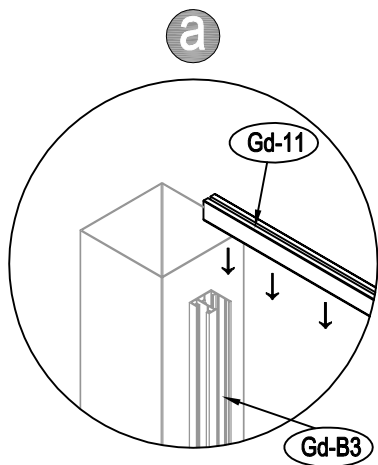
4	 Gd-A2 [x1]	 Gd-F9[x4]		
---	---	--	--	--



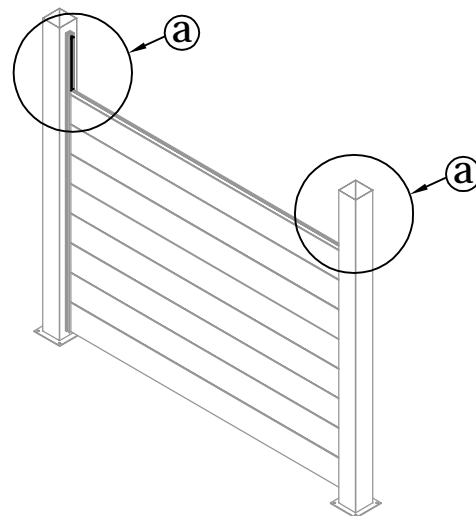
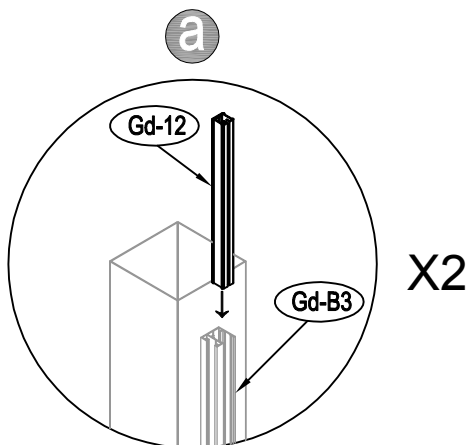
5	 Gd-A2 [x7]	 Gd-F9[x28]		
---	---	---	--	--



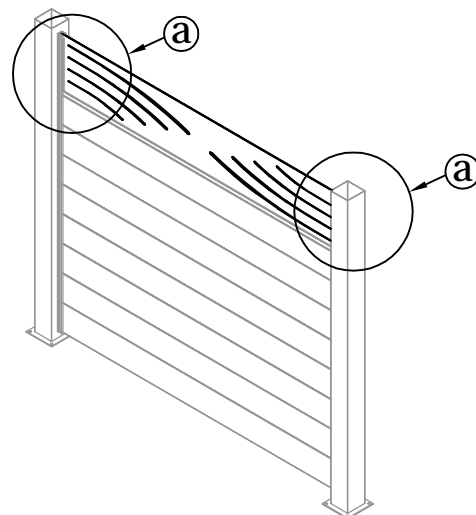
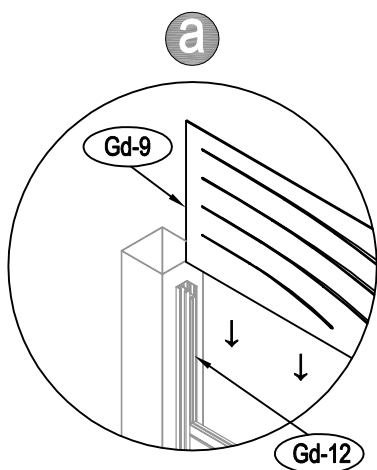
6	 Gd-11 [x1]			
---	---	--	--	--




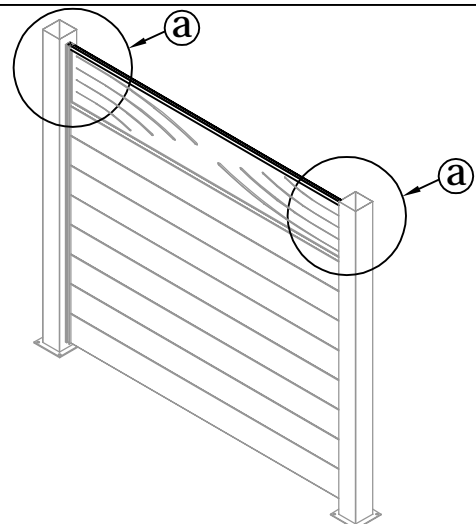
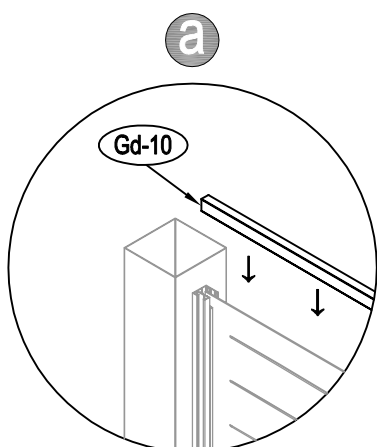
<b>7</b>				
	Gd-12 [x2]			



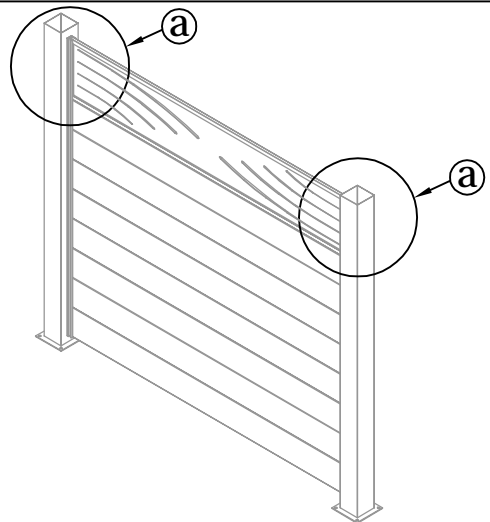
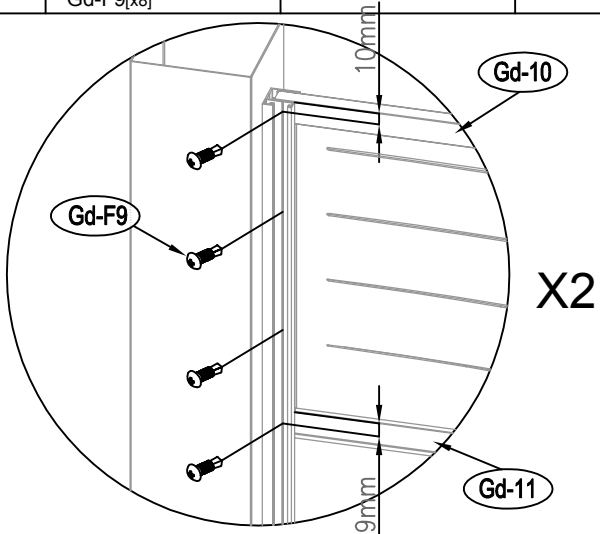
<b>8</b>				
	Gd-9 [x1]			




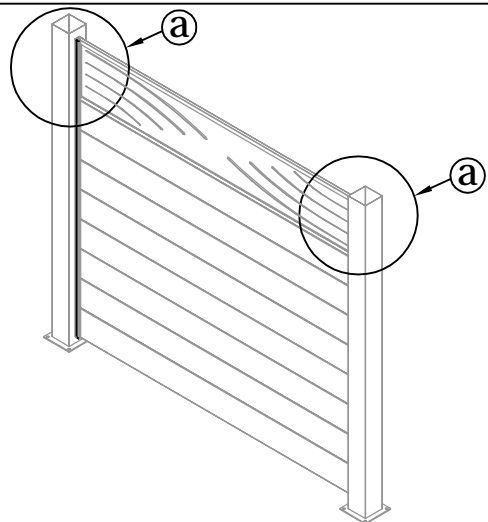
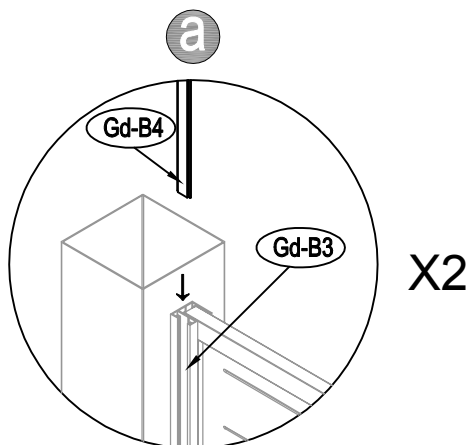
<b>9</b>				
	Gd-10 [x1]			



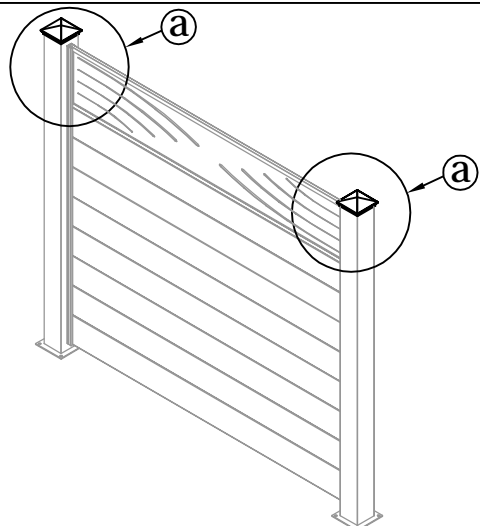
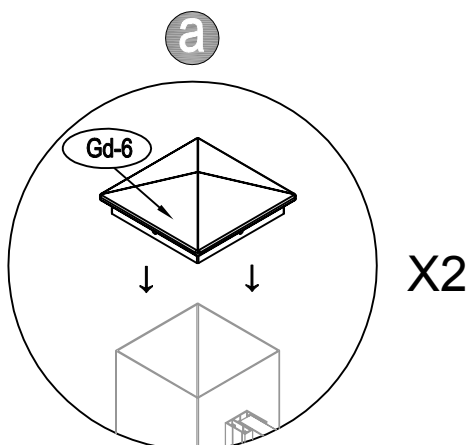
10	 Gd-F9[x8]			
----	--	--	--	--



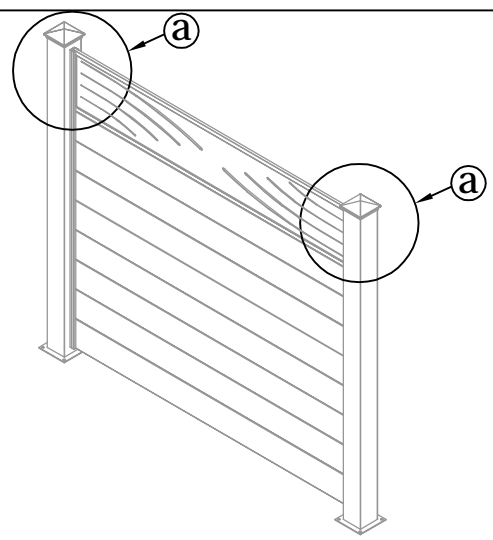
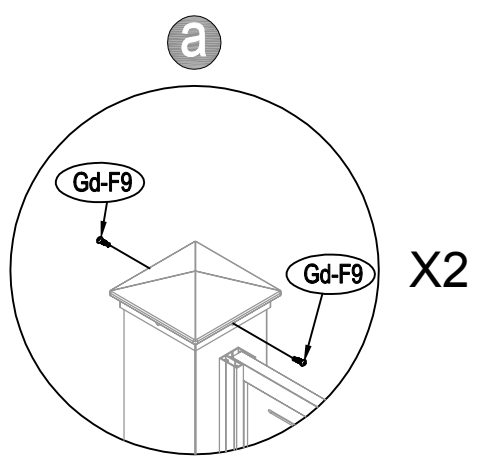
11	 Gd-B4 [x2]			
----	---	--	--	--





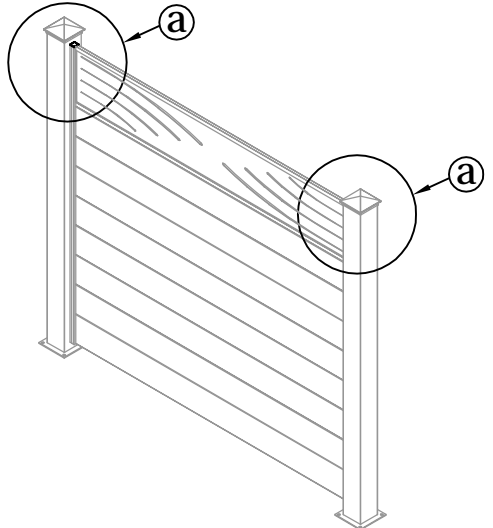
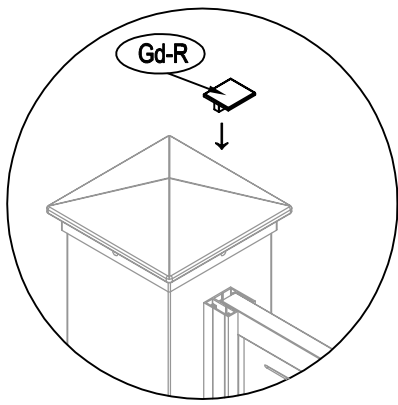
12	 Gd-6 [x2]			
----	--	--	--	--



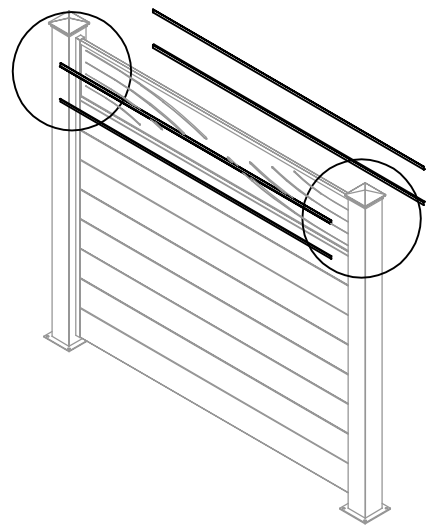
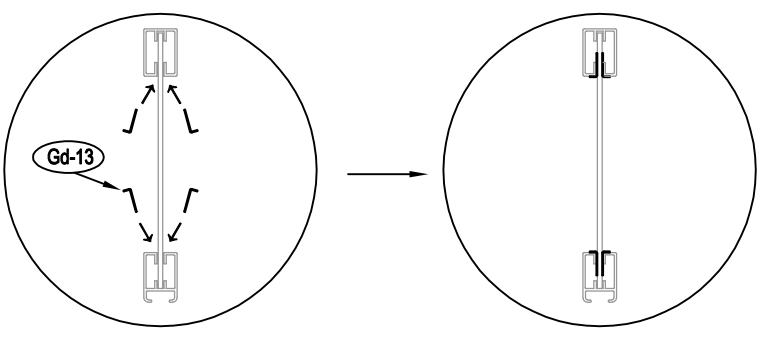
13	 Gd-F9 [x4]			
----	---	--	--	--



14	 Gd-L [x1]	 Gd-R [x1]		
----	--	--	--	--

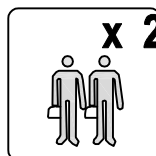
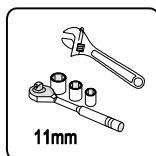
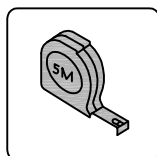
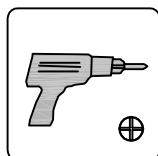
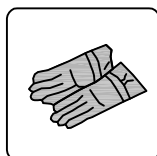
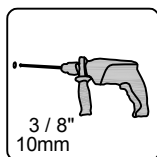
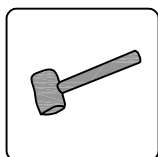
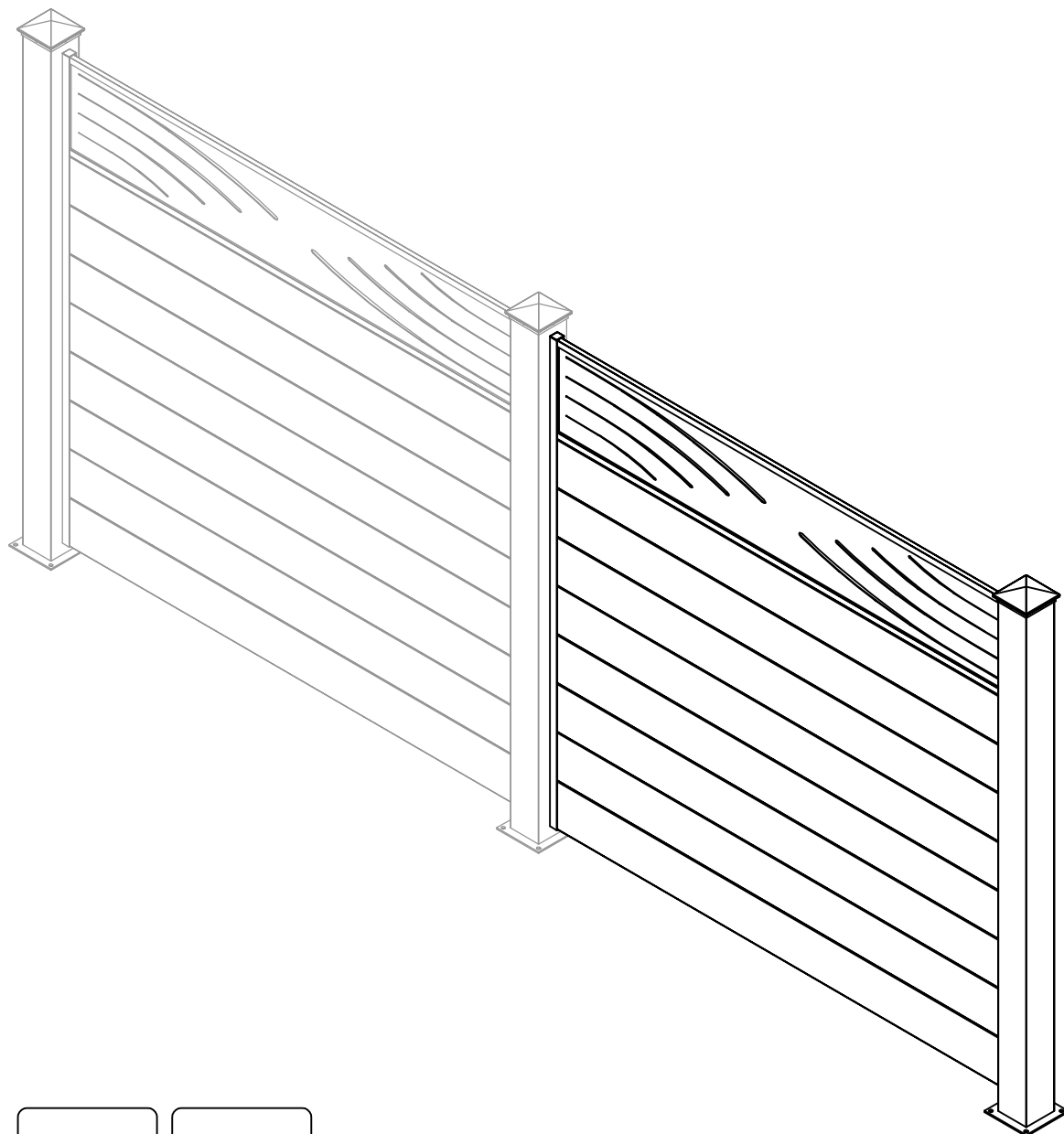


15	 Gd-13 [x4]			
----	---	--	--	--






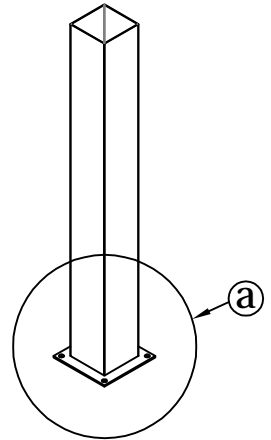
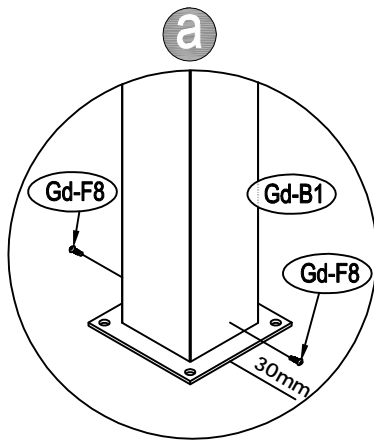
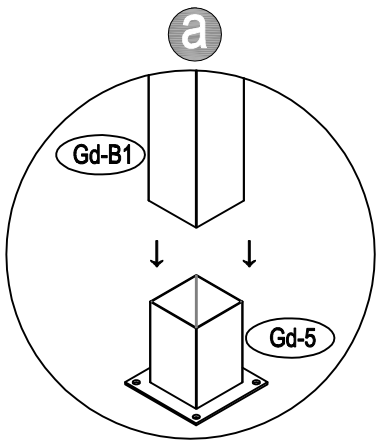
# CLOTURE ART 190H170



Multi-length / Multi-longueur / Mehrsprachig / Multi-longitud / Multi-comprimento /  
Multi-lunghezza / Multi-lengte / Wieloczęściowy

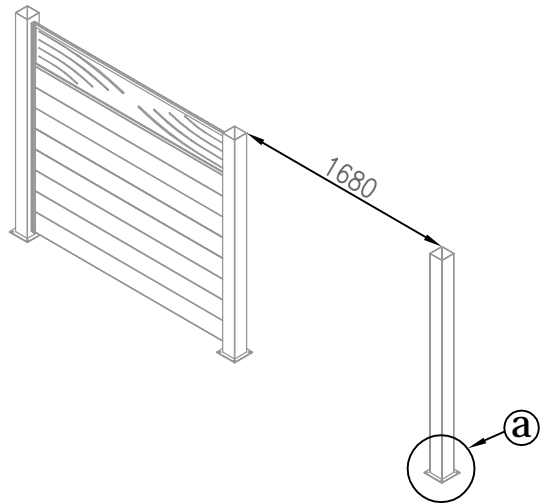
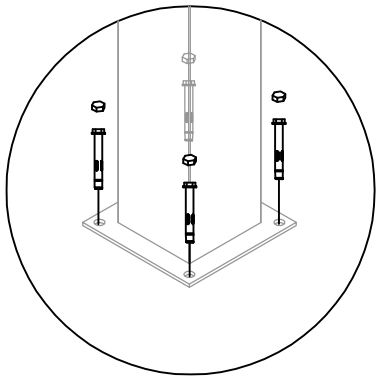





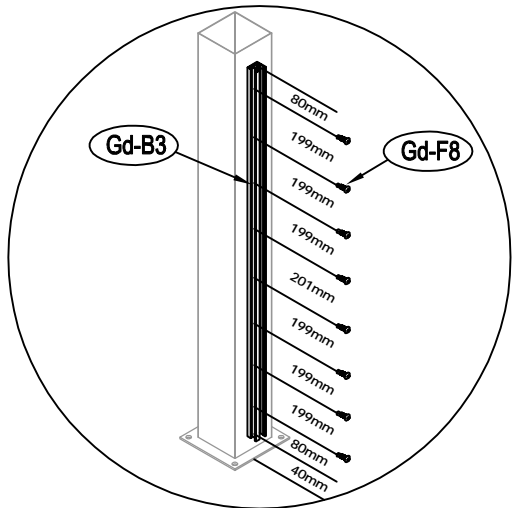
1	 Gd-B1 [x1]	 Gd-5 [x1]	 Gd-F8 [x2]	
---	---	--	---	--



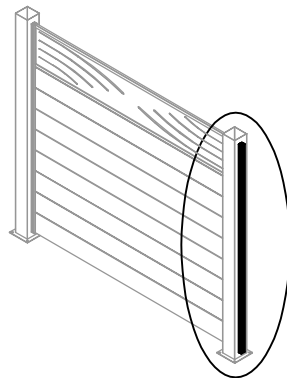
2	 Gd-7 [x4]	 Gd-20 [x4]		
---	--	---	--	--



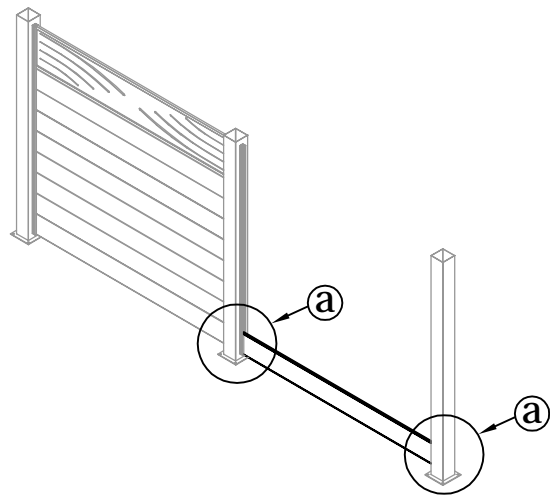
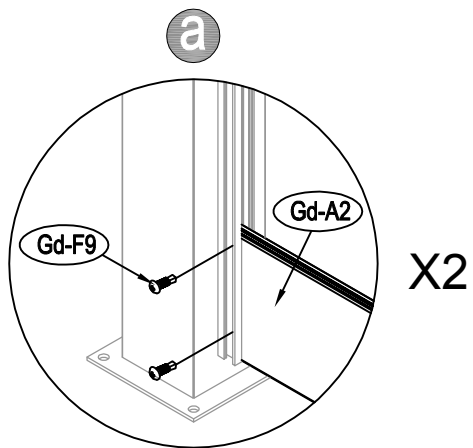
3	 Gd-B3 [x2]	 Gd-F8 [x16]		
---	---	--	--	--





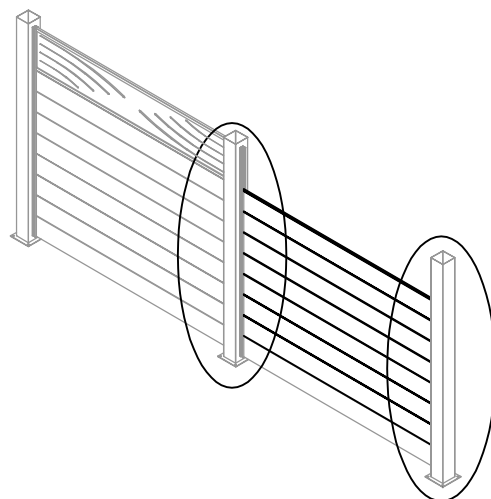
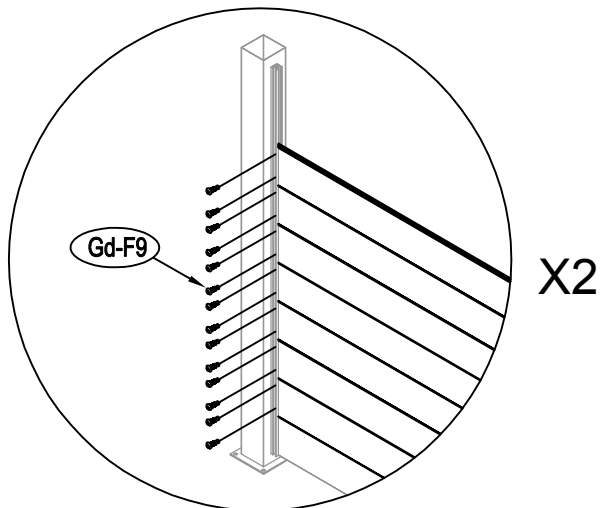
X2




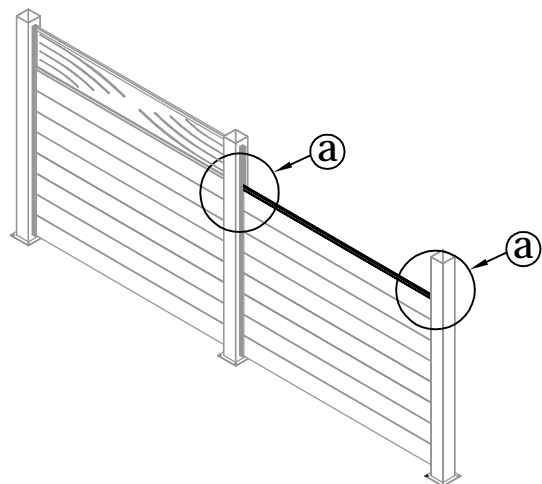
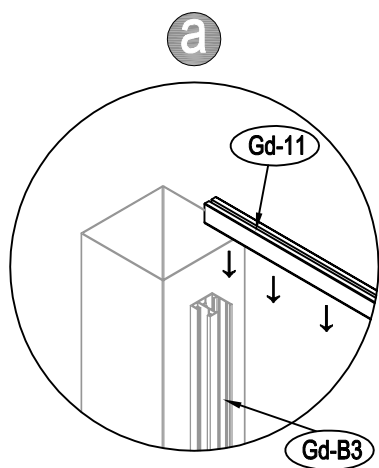
<b>4</b>	 Gd-A2 [x1]	 Gd-F9[x4]		
----------	---	--	--	--



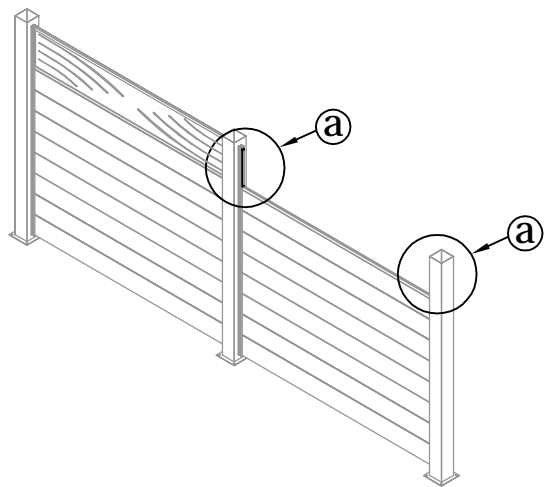
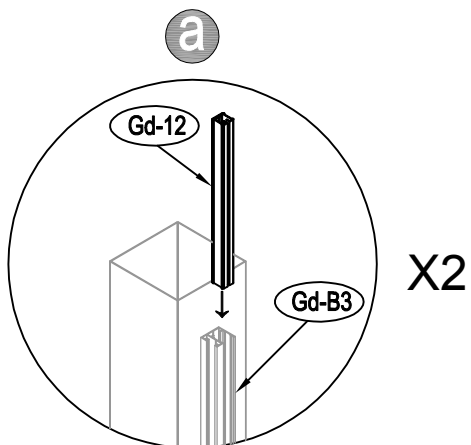
<b>5</b>	 Gd-A2 [x7]	 Gd-F9[x28]		
----------	---	---	--	--

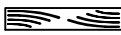


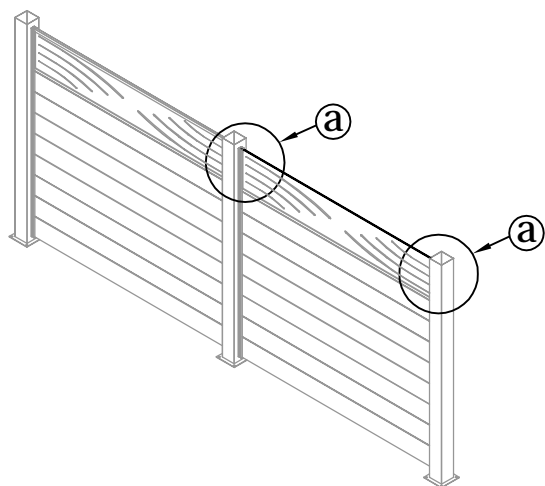
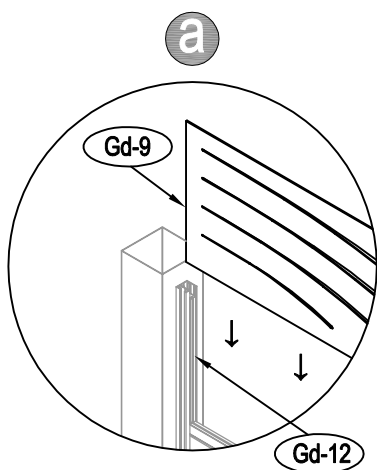
<b>6</b>	 Gd-11 [x1]			
----------	---	--	--	--



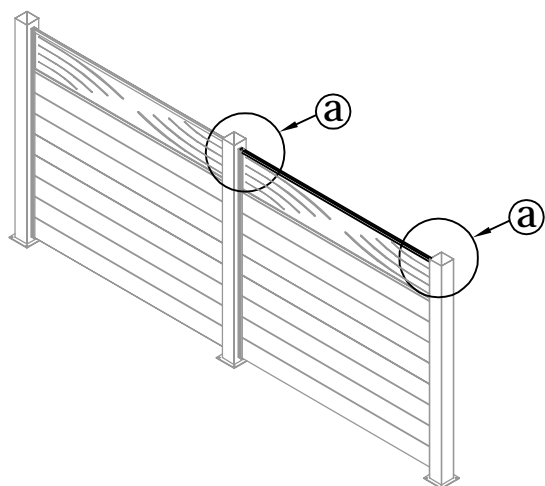
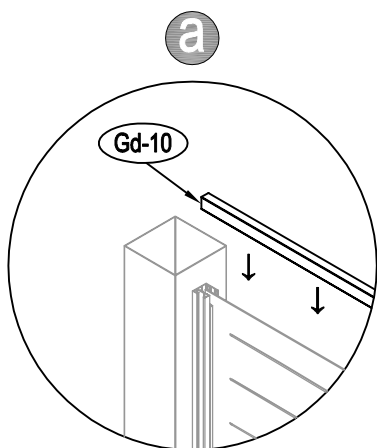
<b>7</b>				
	Gd-12 [x2]			



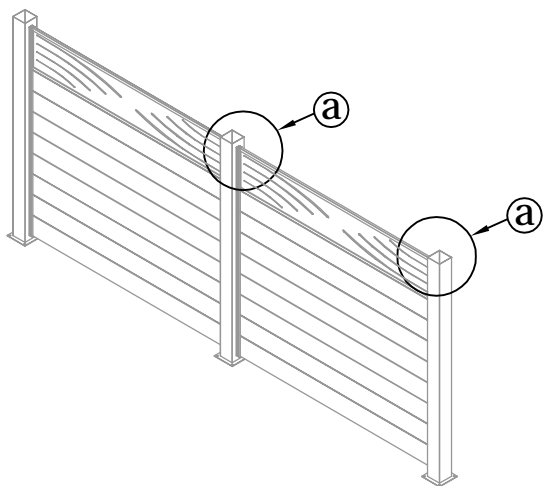
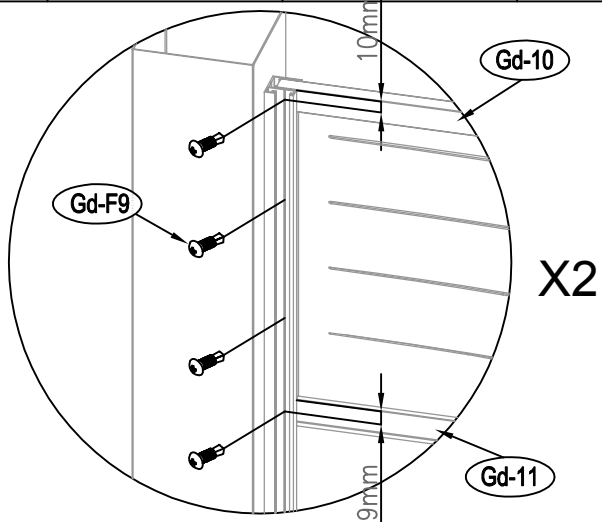
<b>8</b>				
	Gd-9 [x1]			

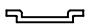


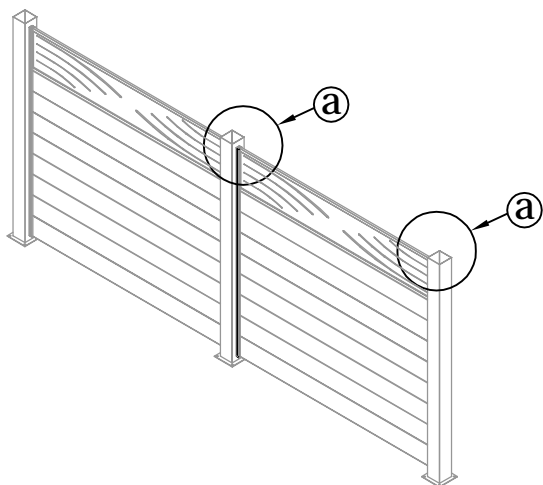
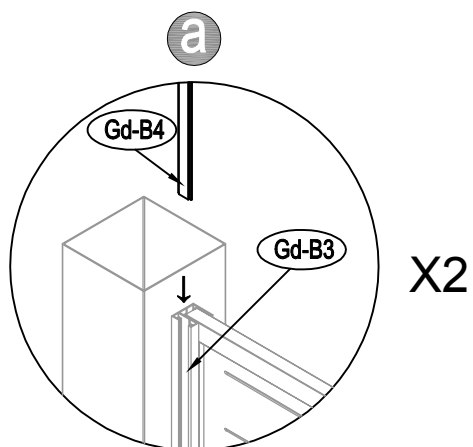
<b>9</b>				
	Gd-10 [x1]			




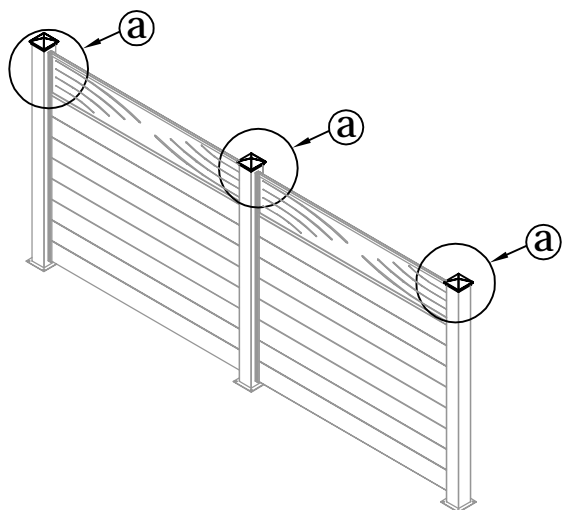
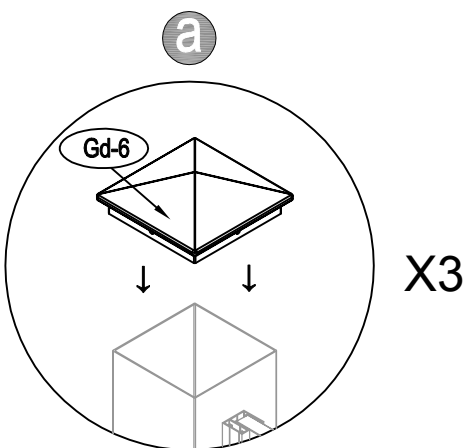
10	 Gd-F9[x8]			
----	--	--	--	--



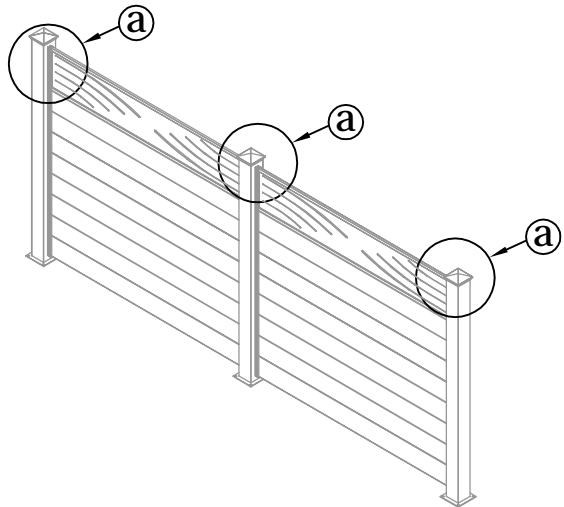
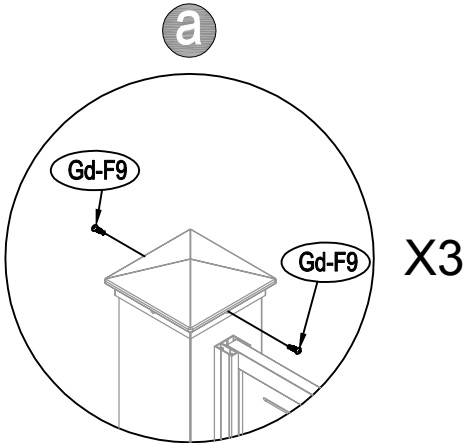
11	 Gd-B4 [x2]			
----	---	--	--	--



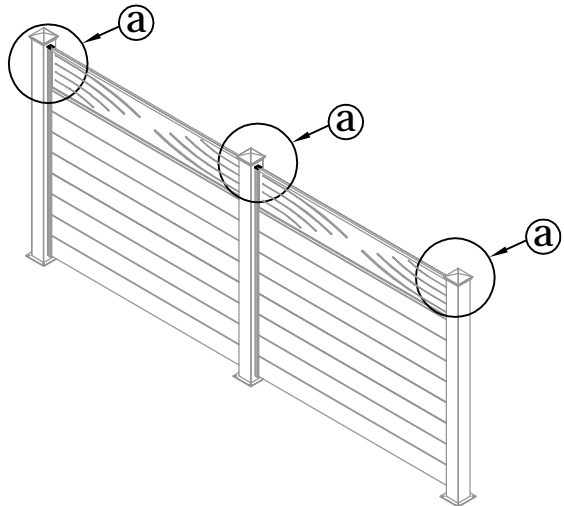
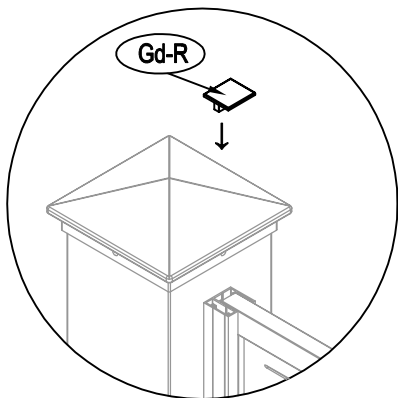
12	 Gd-6 [x3]			
----	--	--	--	--



13	 Gd-F9 [x6]			
----	---	--	--	--



14	 Gd-L [x2]	 Gd-R [x2]		
----	--	--	--	--



15	 Gd-13 [x4]			
----	---	--	--	--

