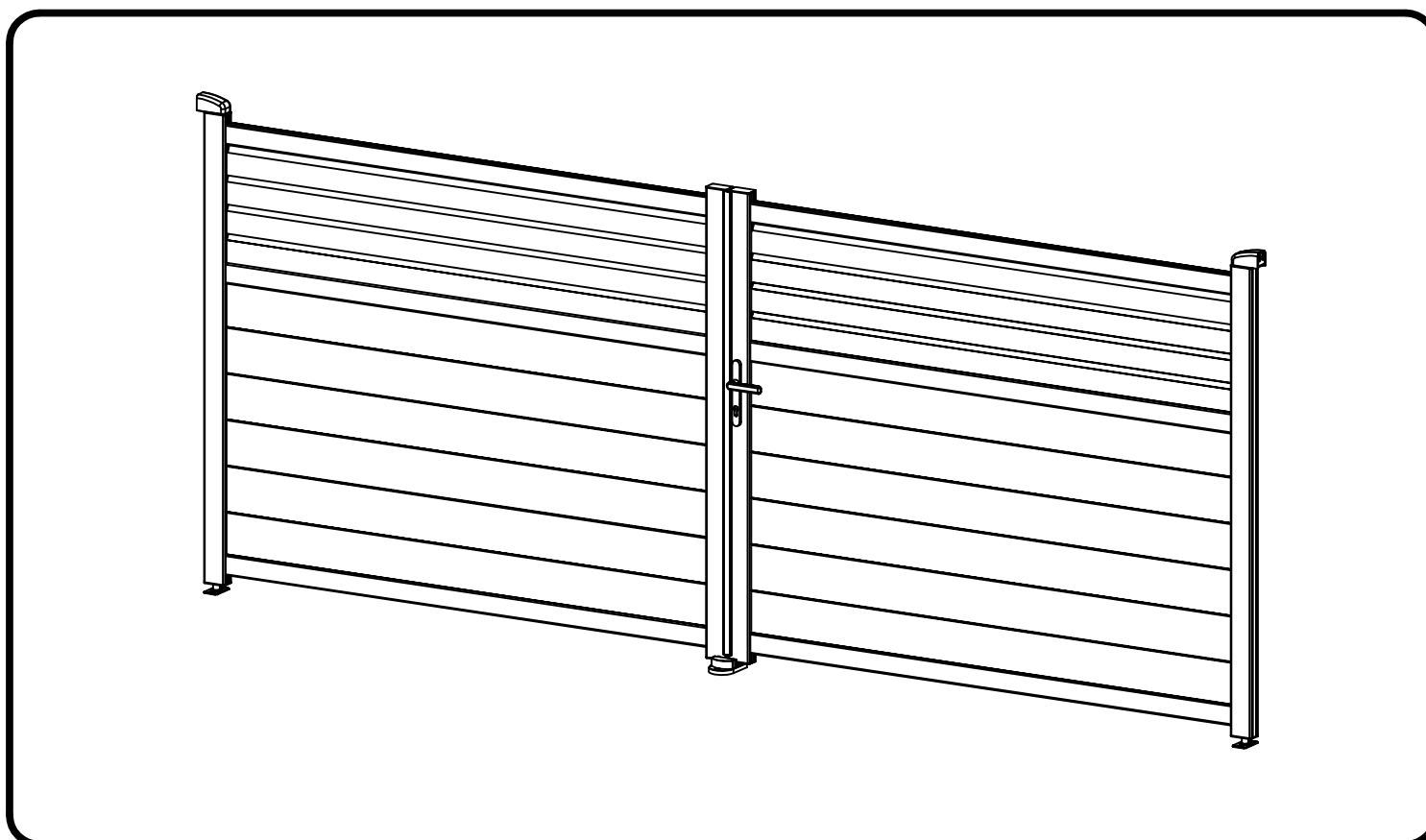


CASANOVO

CARPATIA 400B160



7-8H



x2

COM-000110

[x1]

COM-000111

[x1]

COM-000112

[x1]

FR

EN

ES

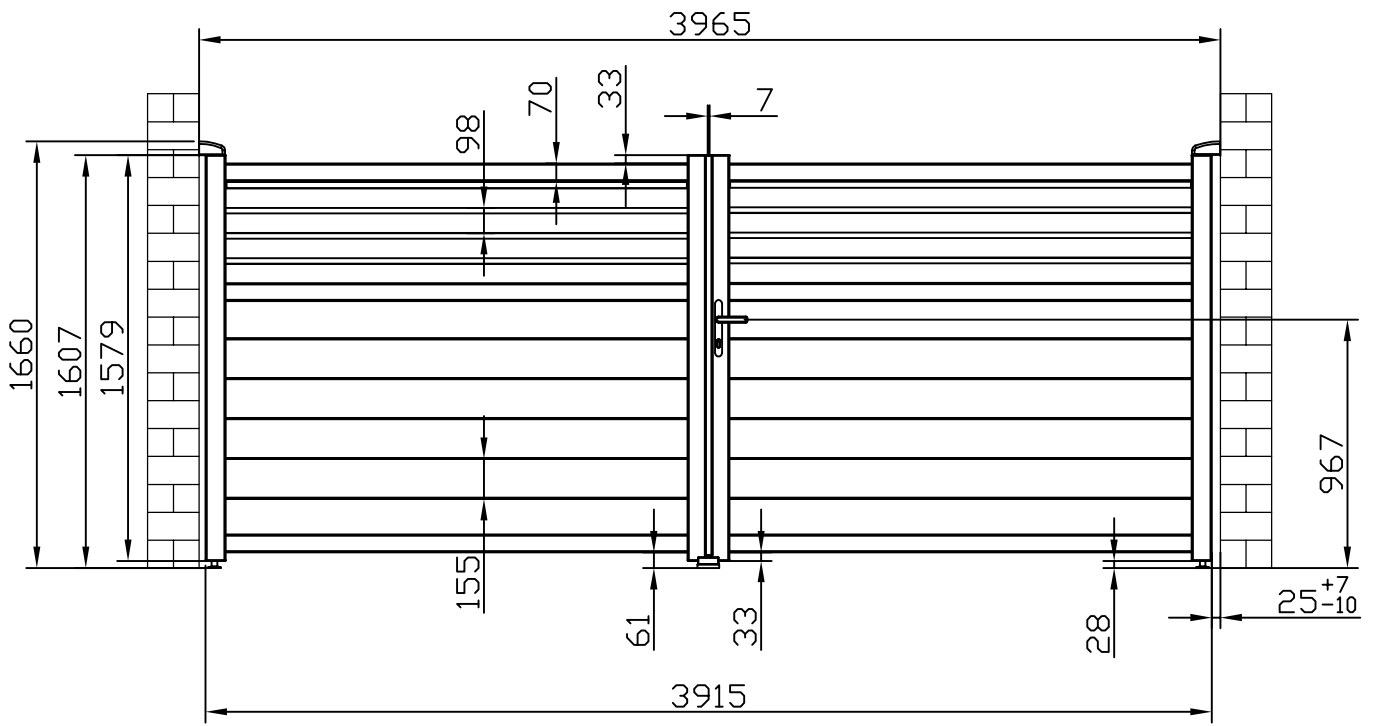
DE

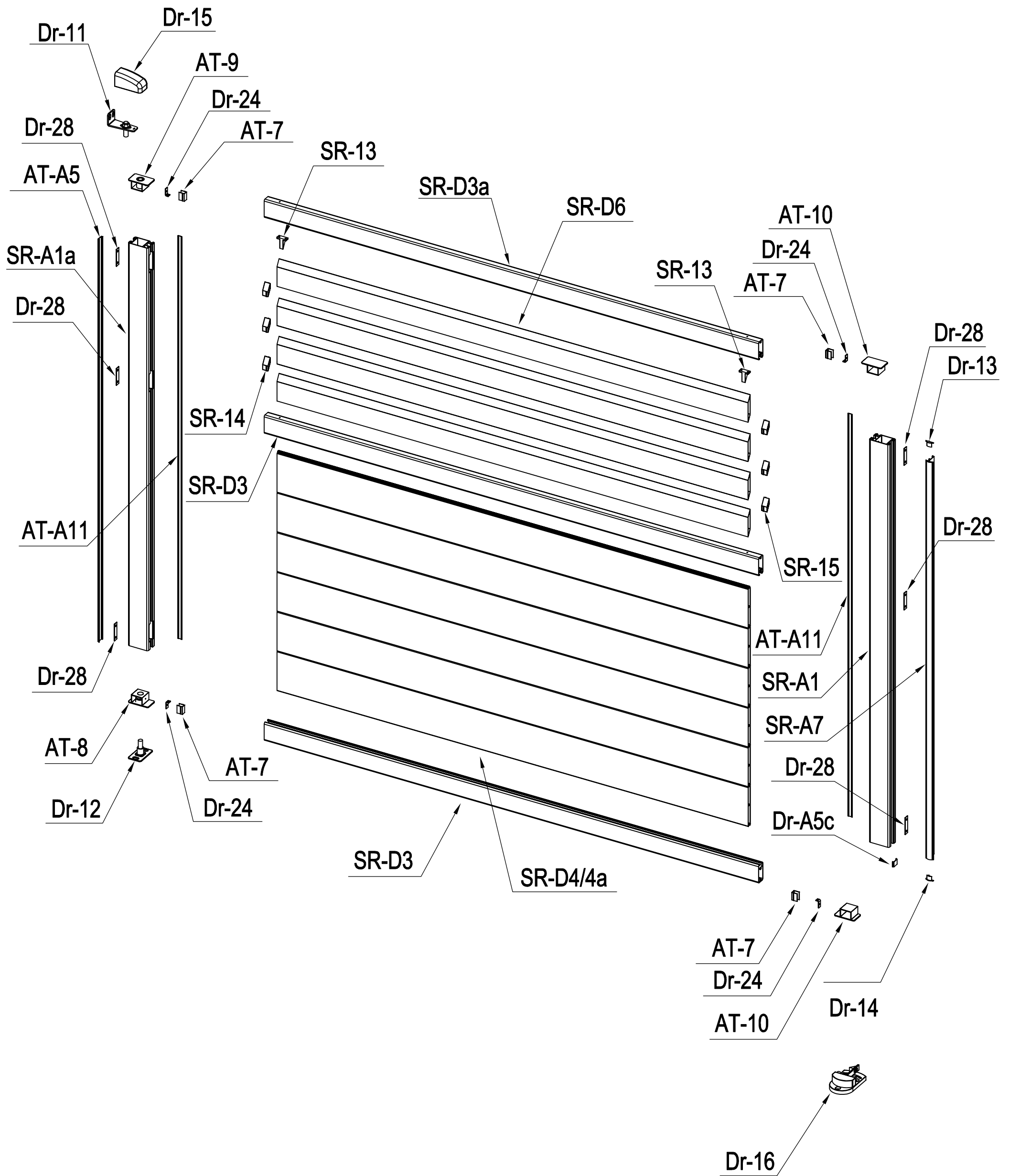
IT

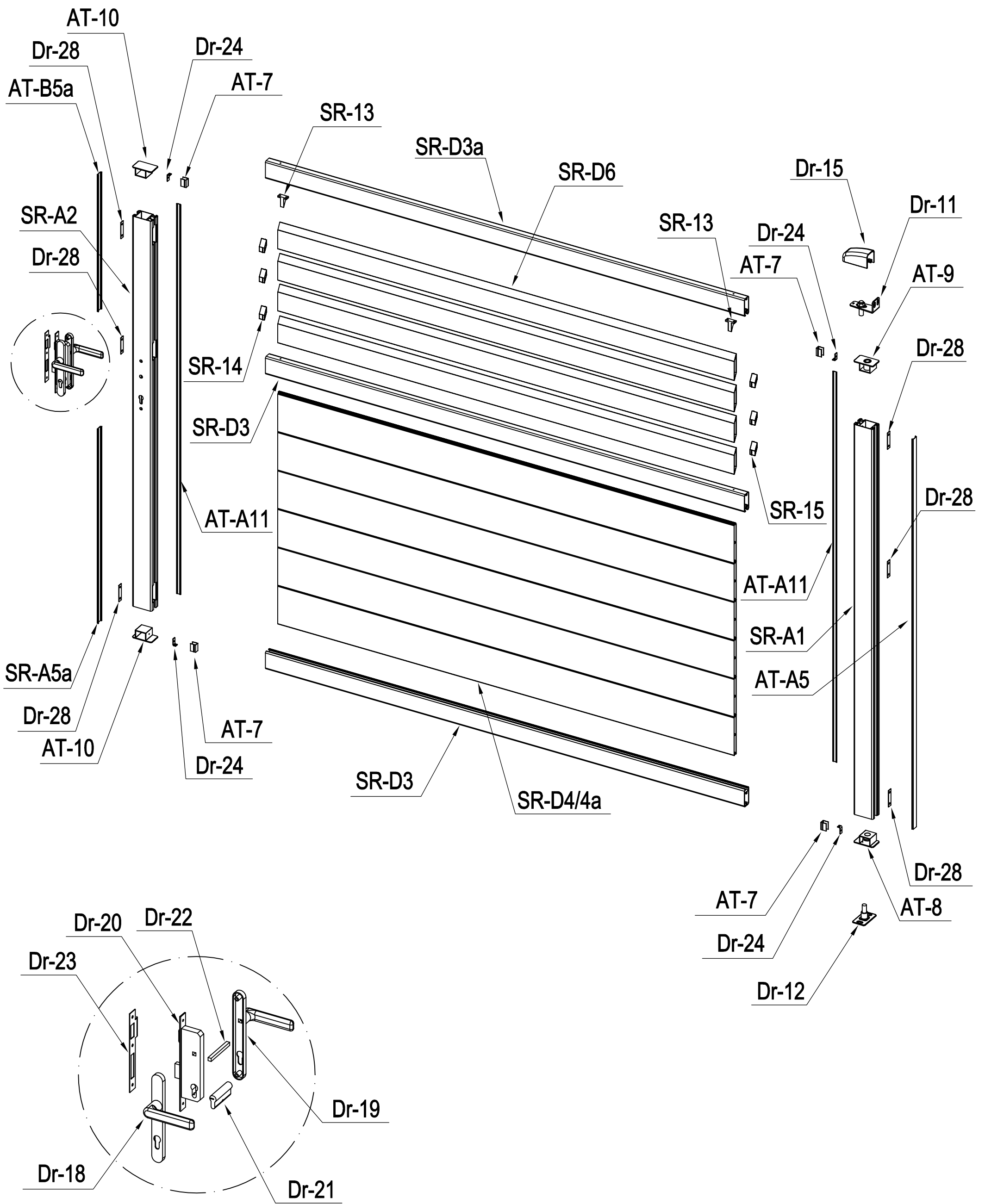
NL

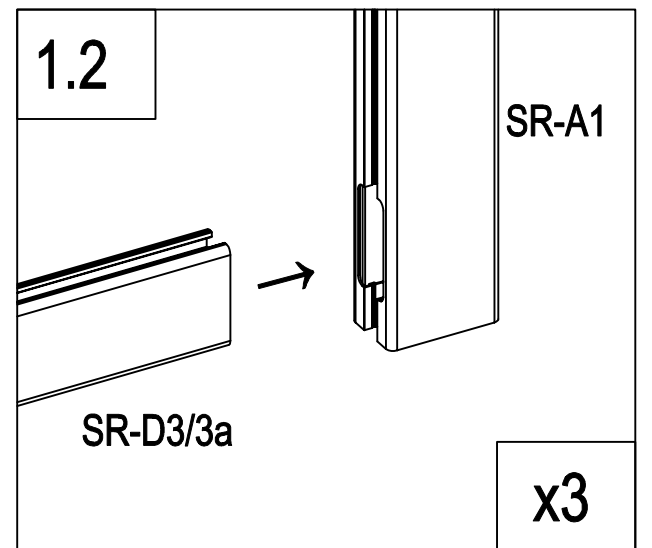
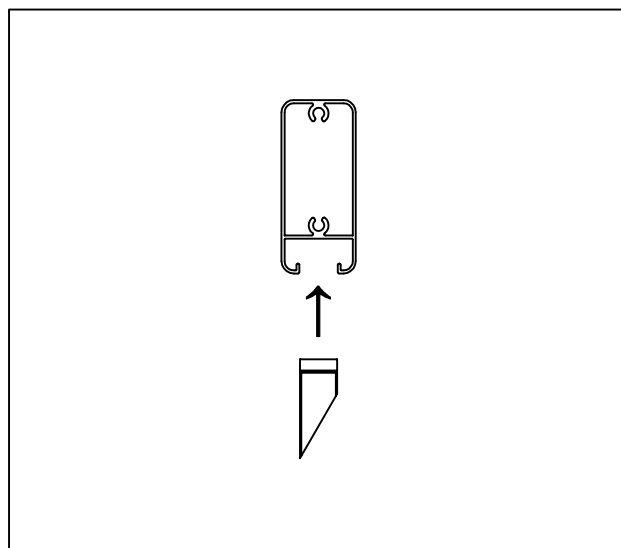
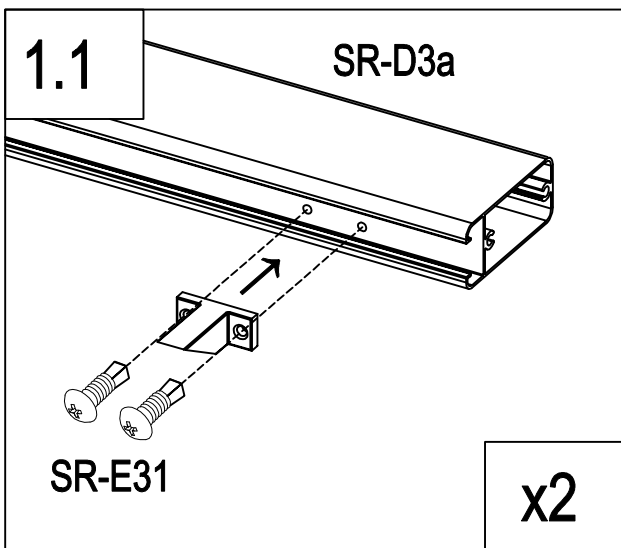
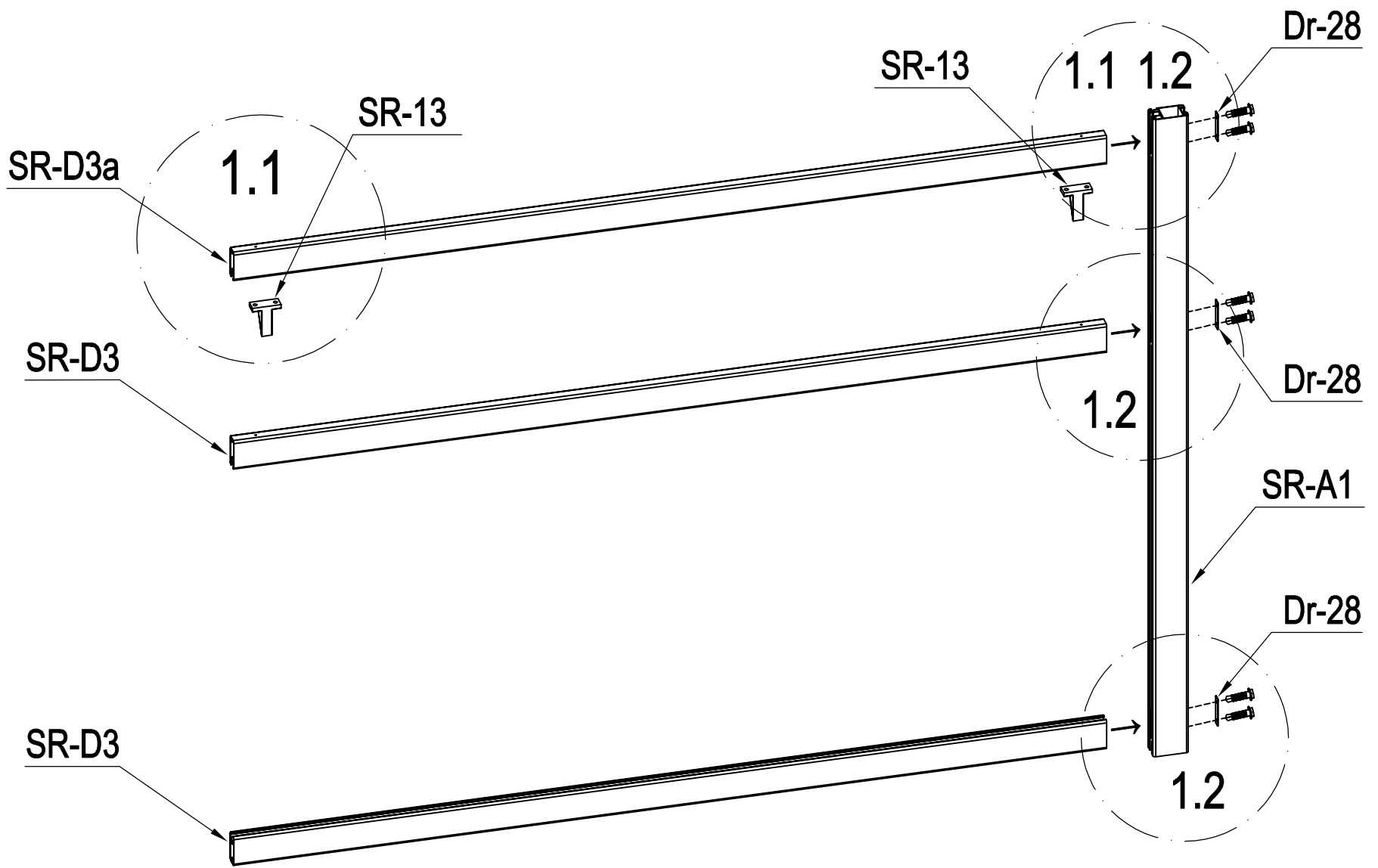
PL



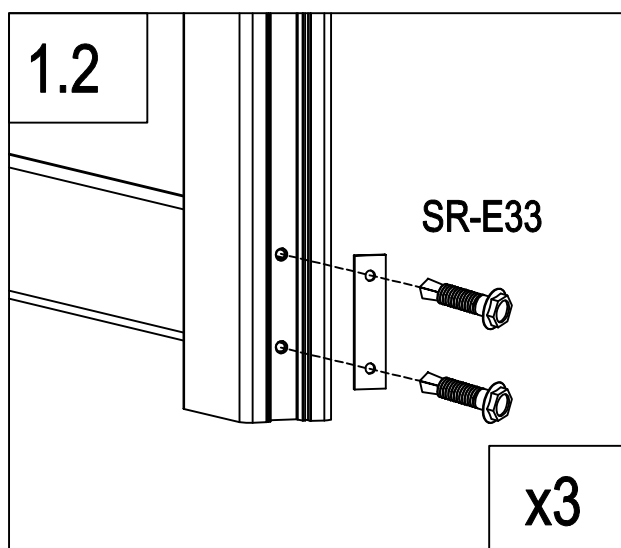




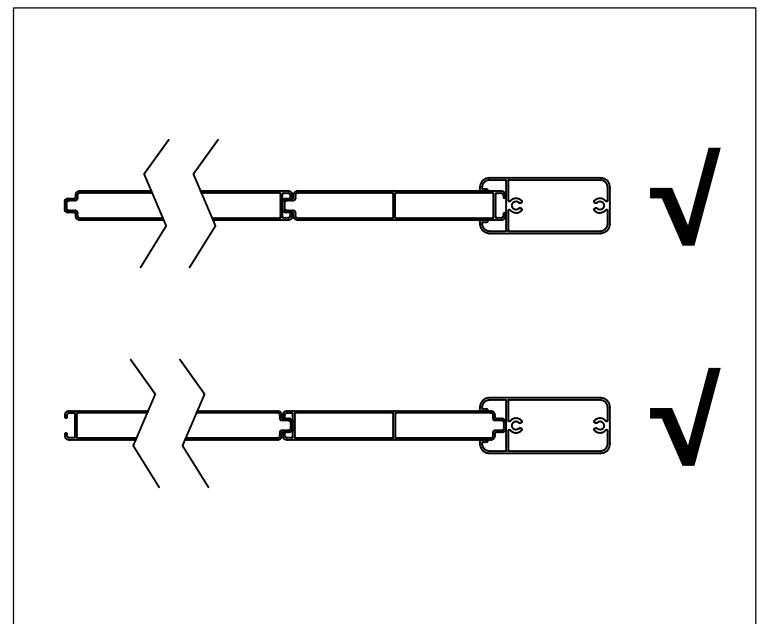
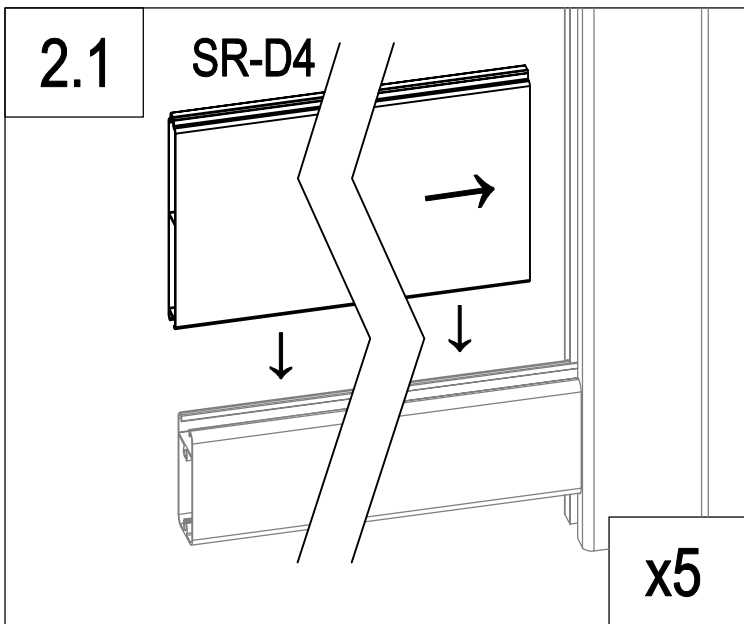
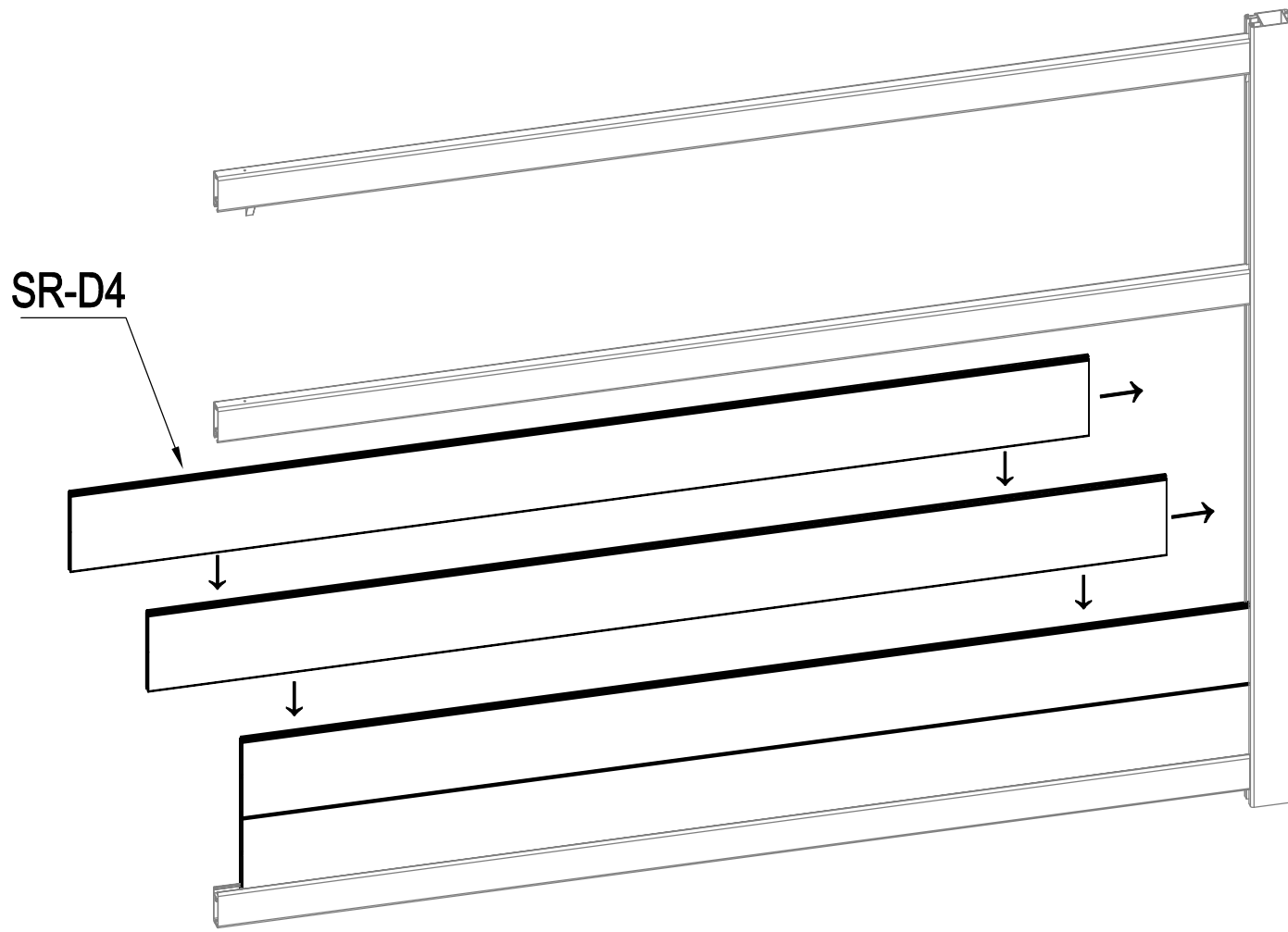




	SR-A1	1
	SR-D3	2
	SR-D3a	1
	SR-13	2

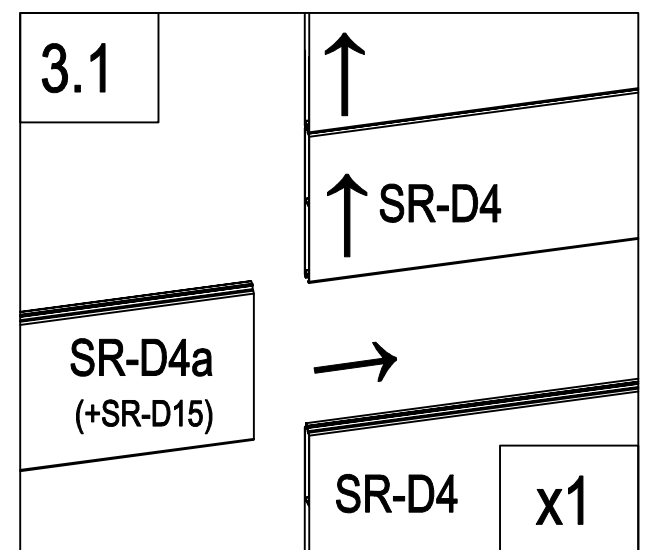
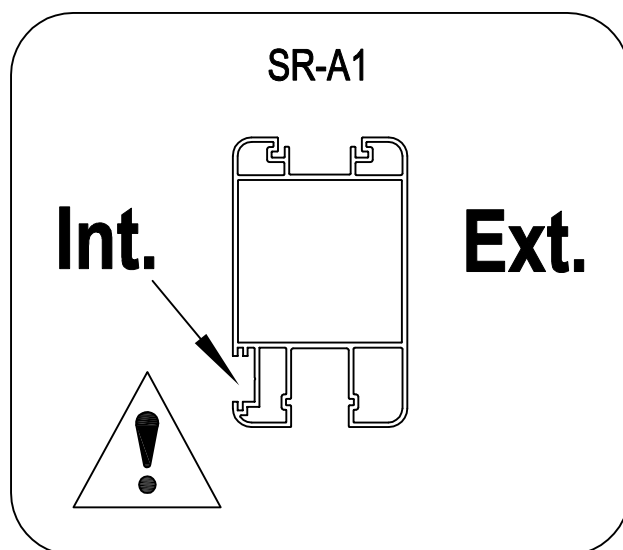
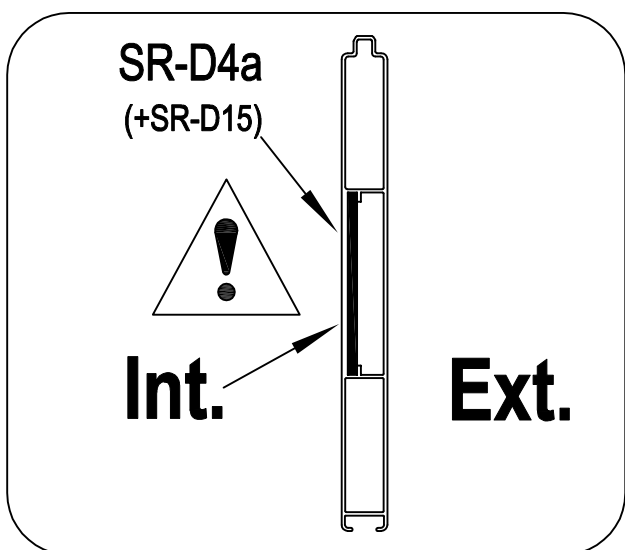
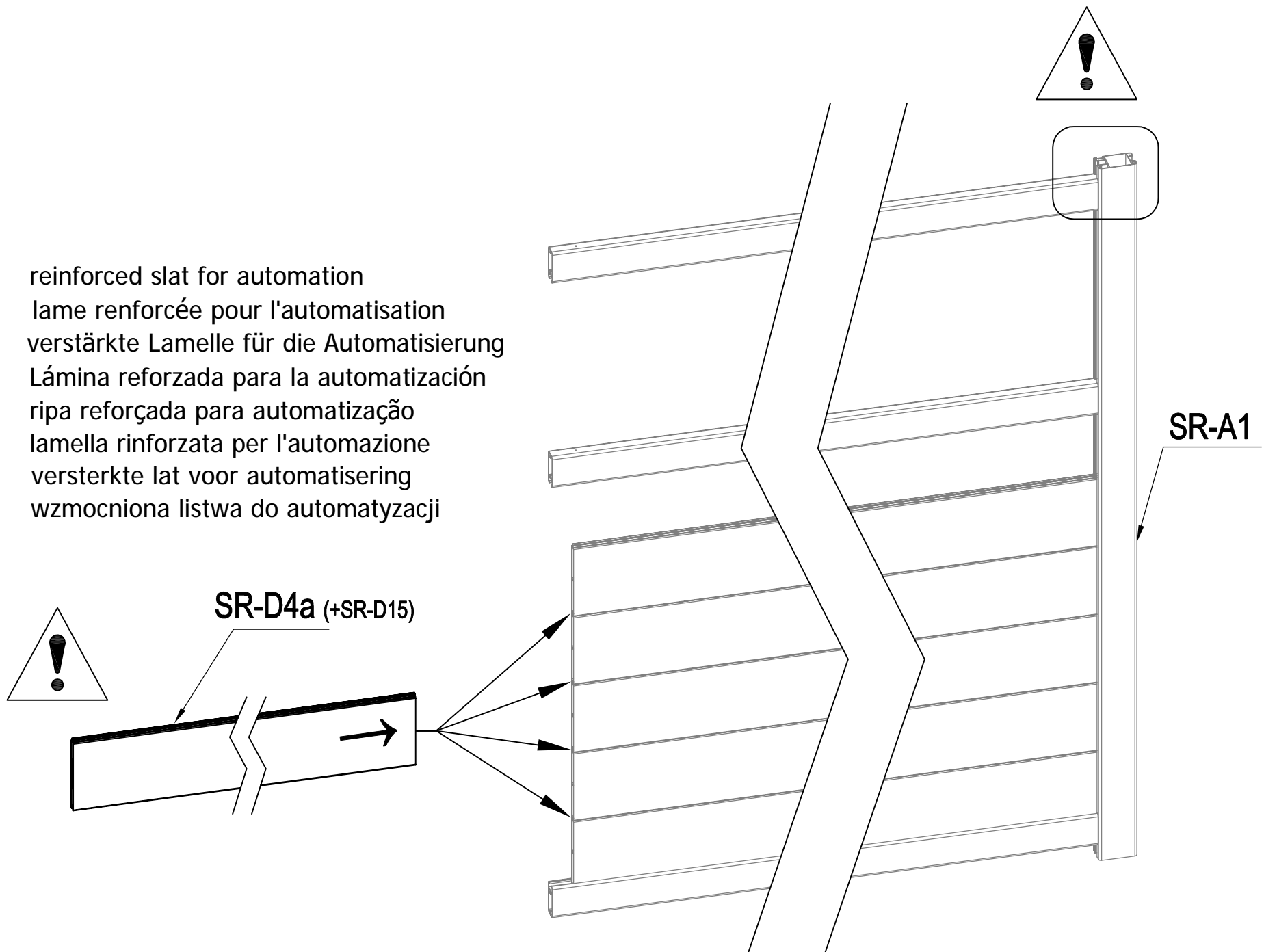



	Dr-28	3
	SR-E31	4
	SR-E33	6



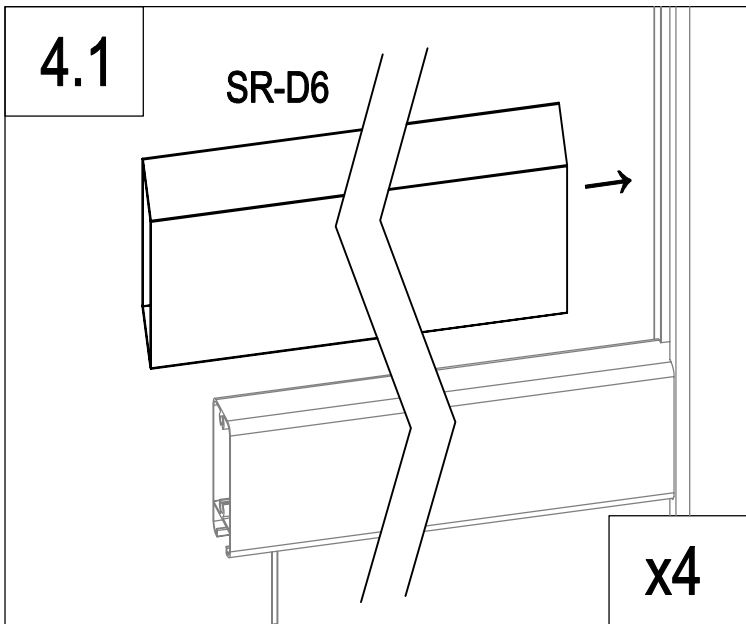
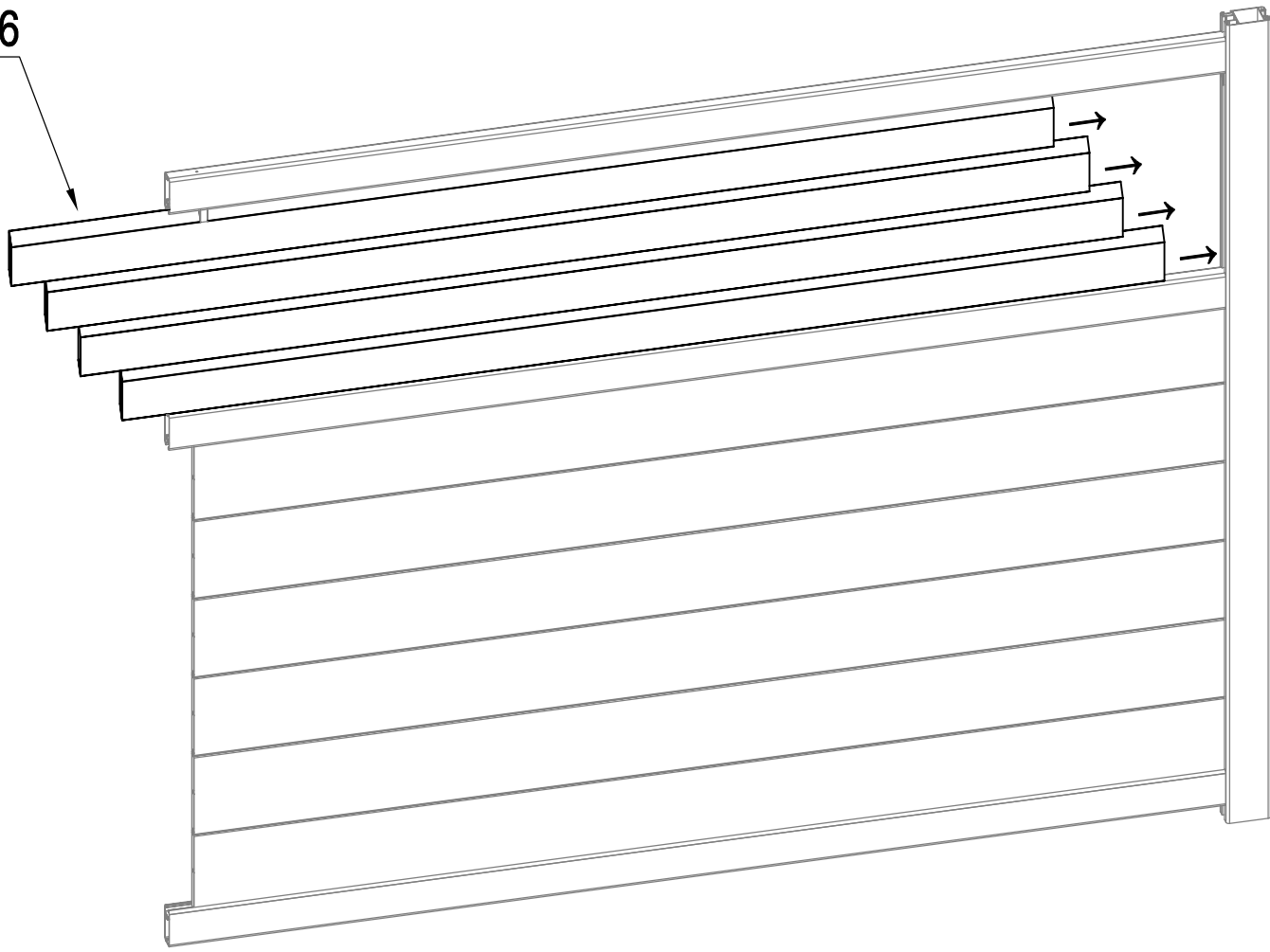
	SR-D4	5
---	-------	---

- EN: reinforced slat for automation
- FR: lame renforcée pour l'automatisation
- DE: verstärkte Lamelle für die Automatisierung
- ES: Lámina reforzada para la automatización
- PT: ripa reforçada para automatização
- IT: lamella rinforzata per l'automazione
- NL: versterkte lat voor automatisering
- PL: wzmocniona listwa do automatyzacji

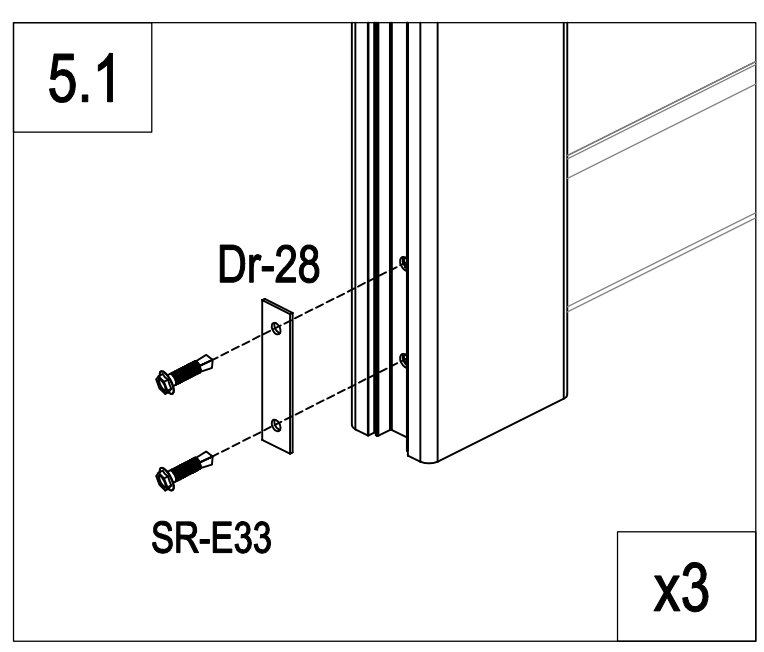
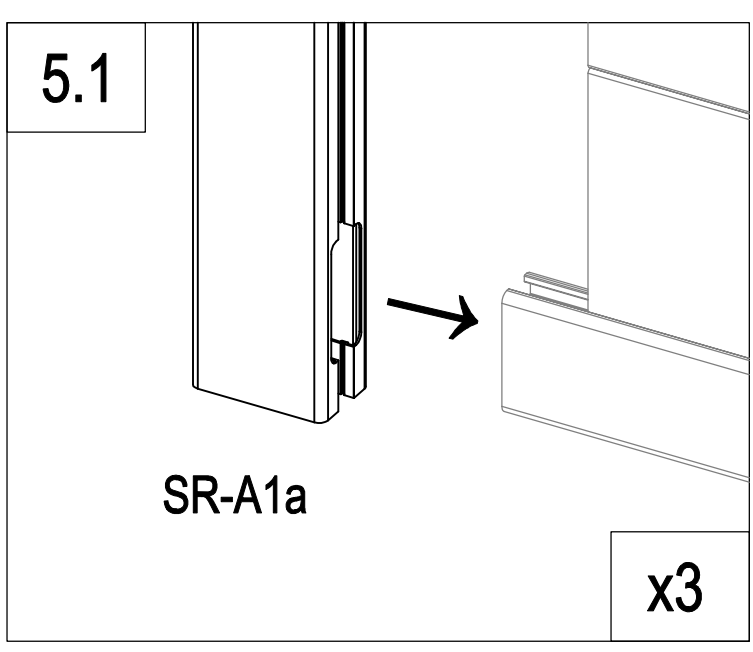
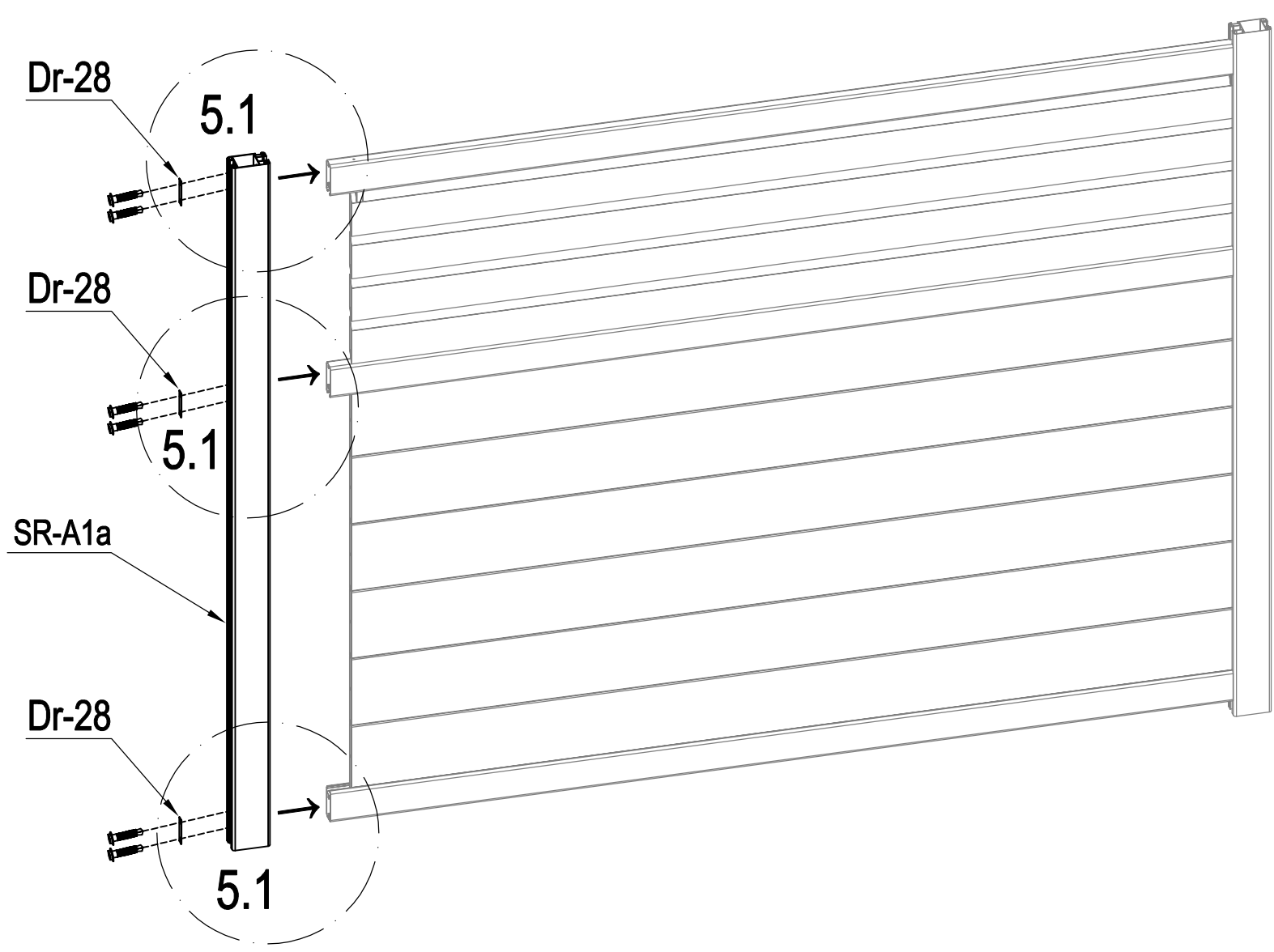


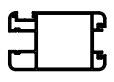

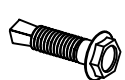
	SR-D4a (+SR-D15)	1
---	------------------	---

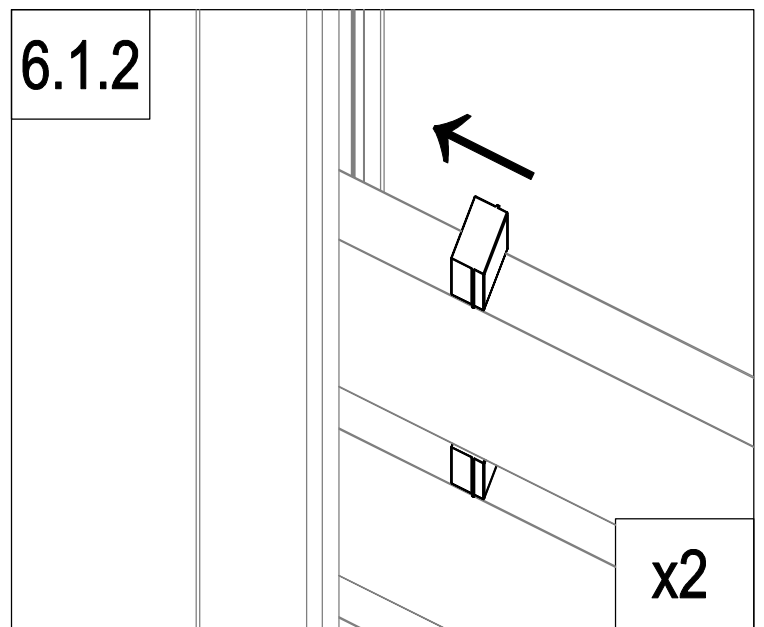
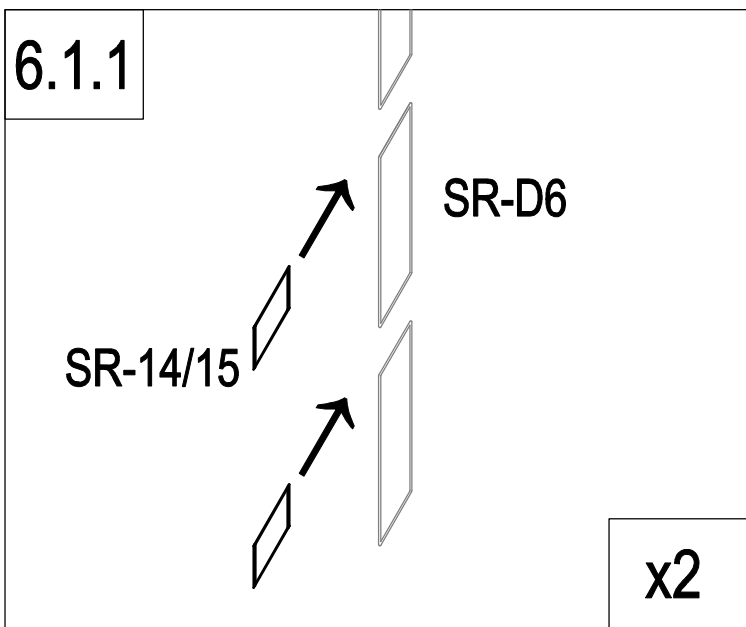
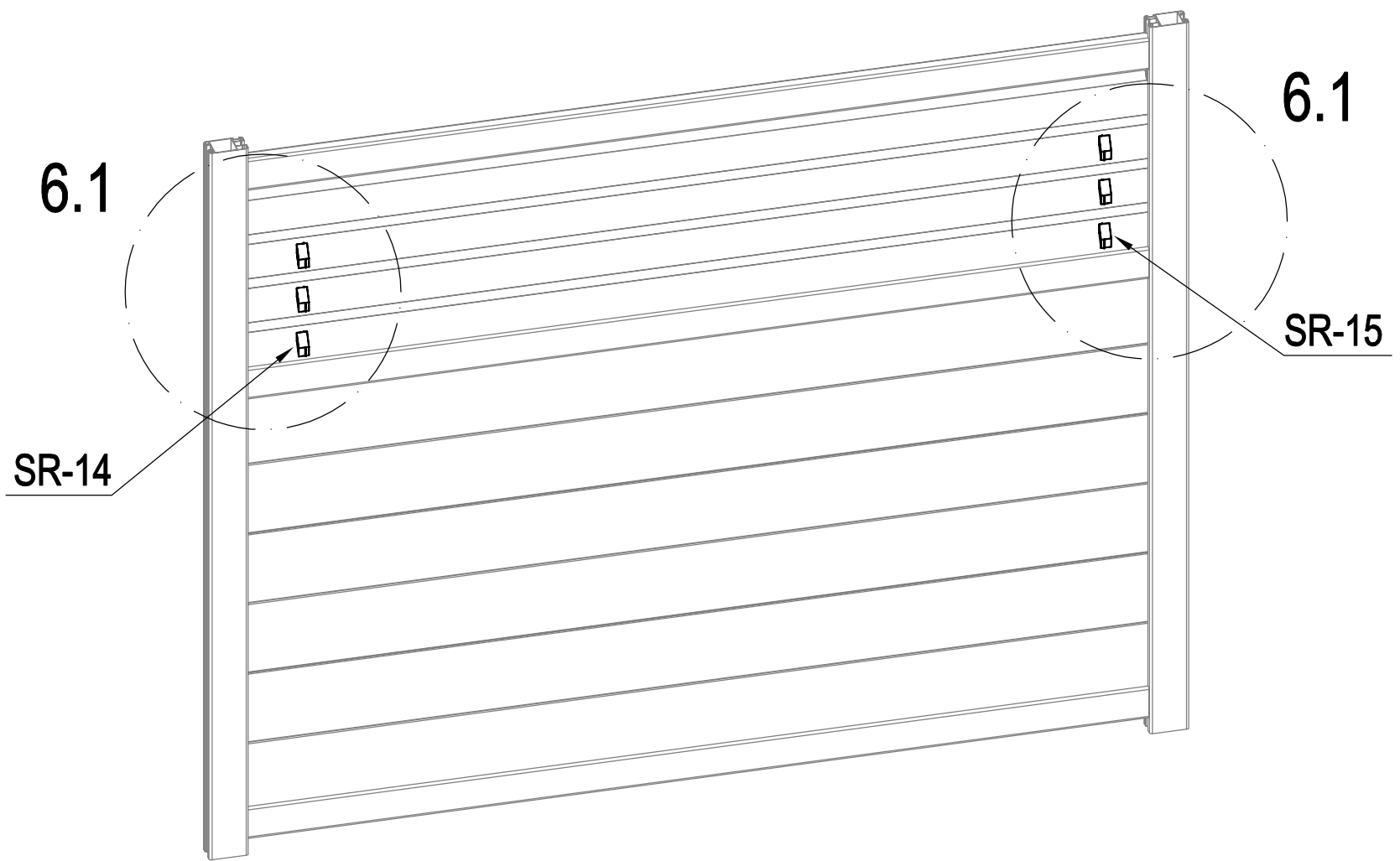
SR-D6


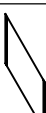


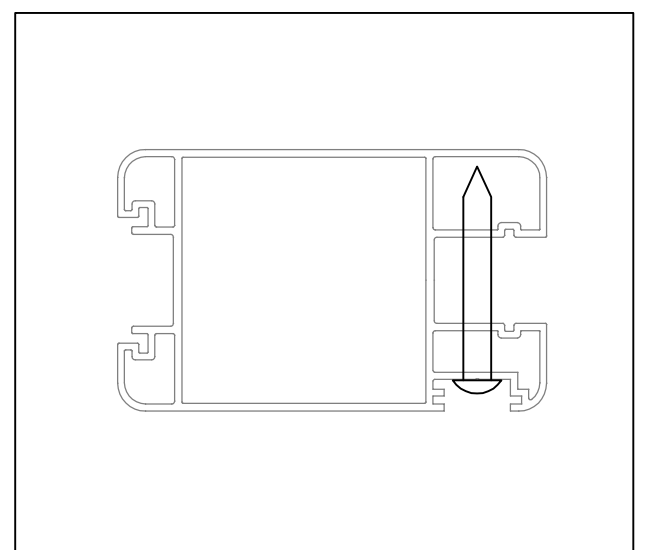
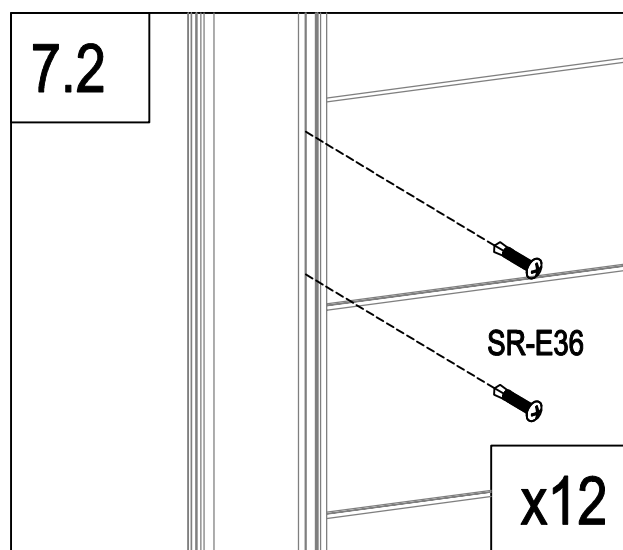
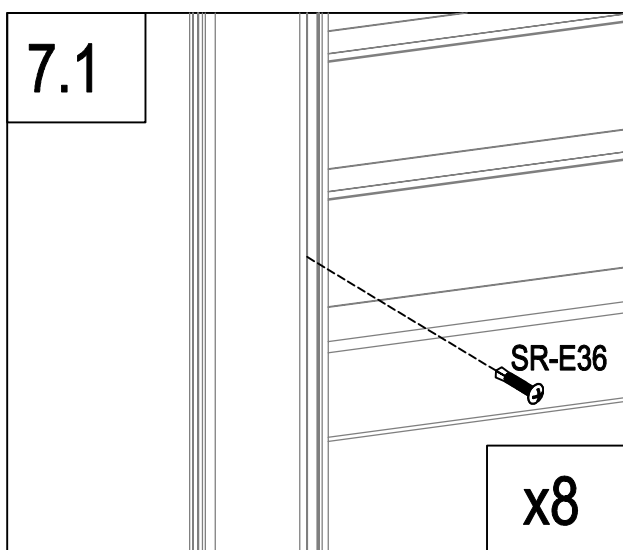
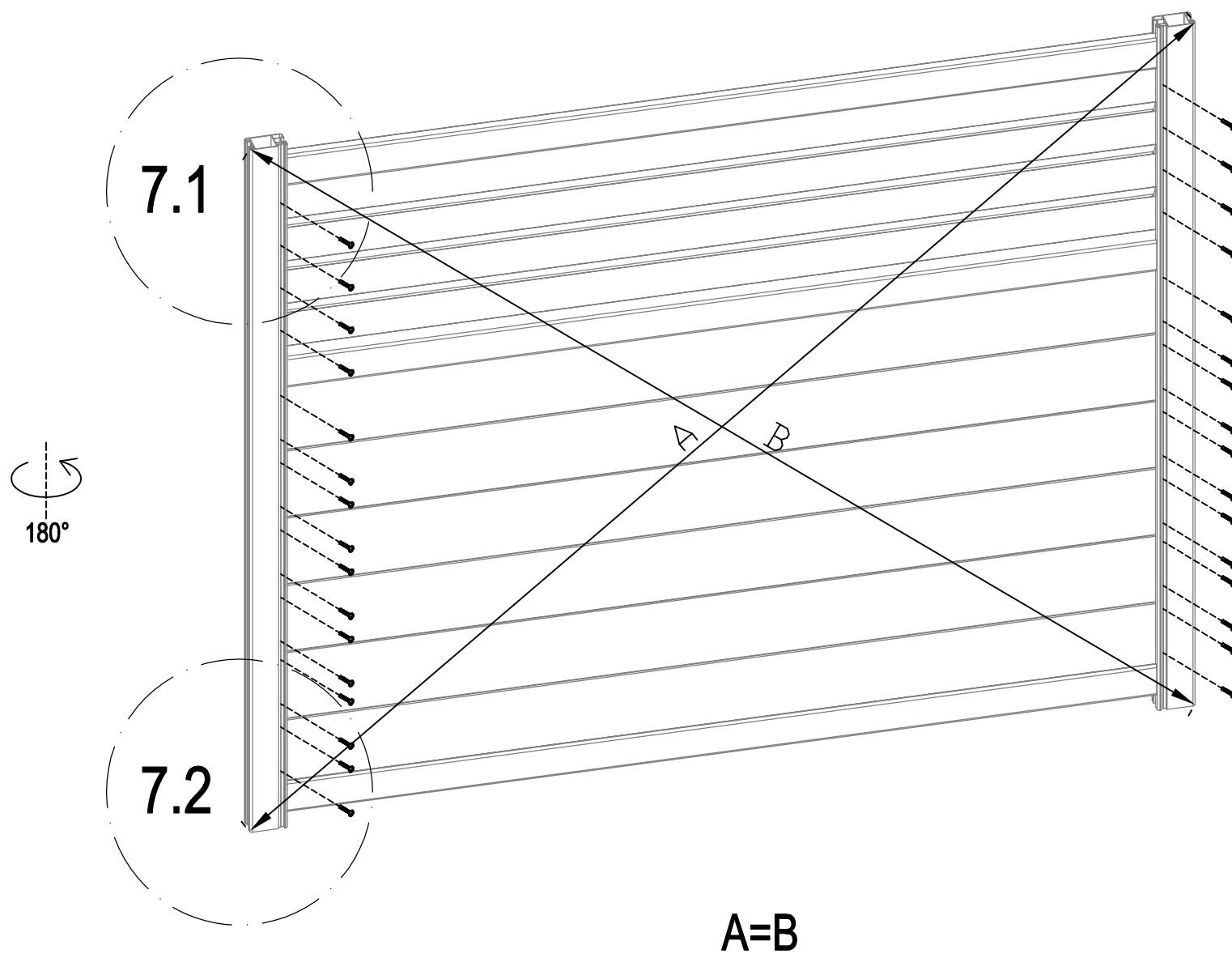
	SR-D6	4
---	-------	---




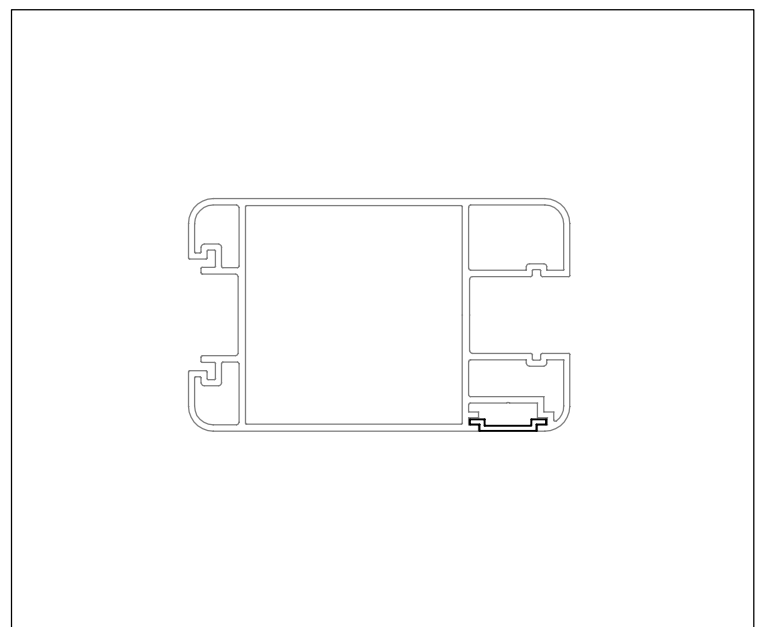
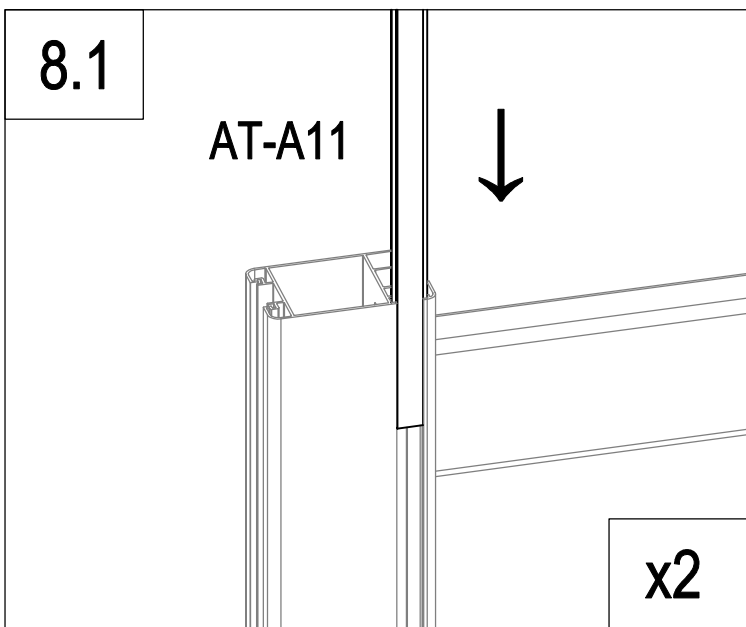
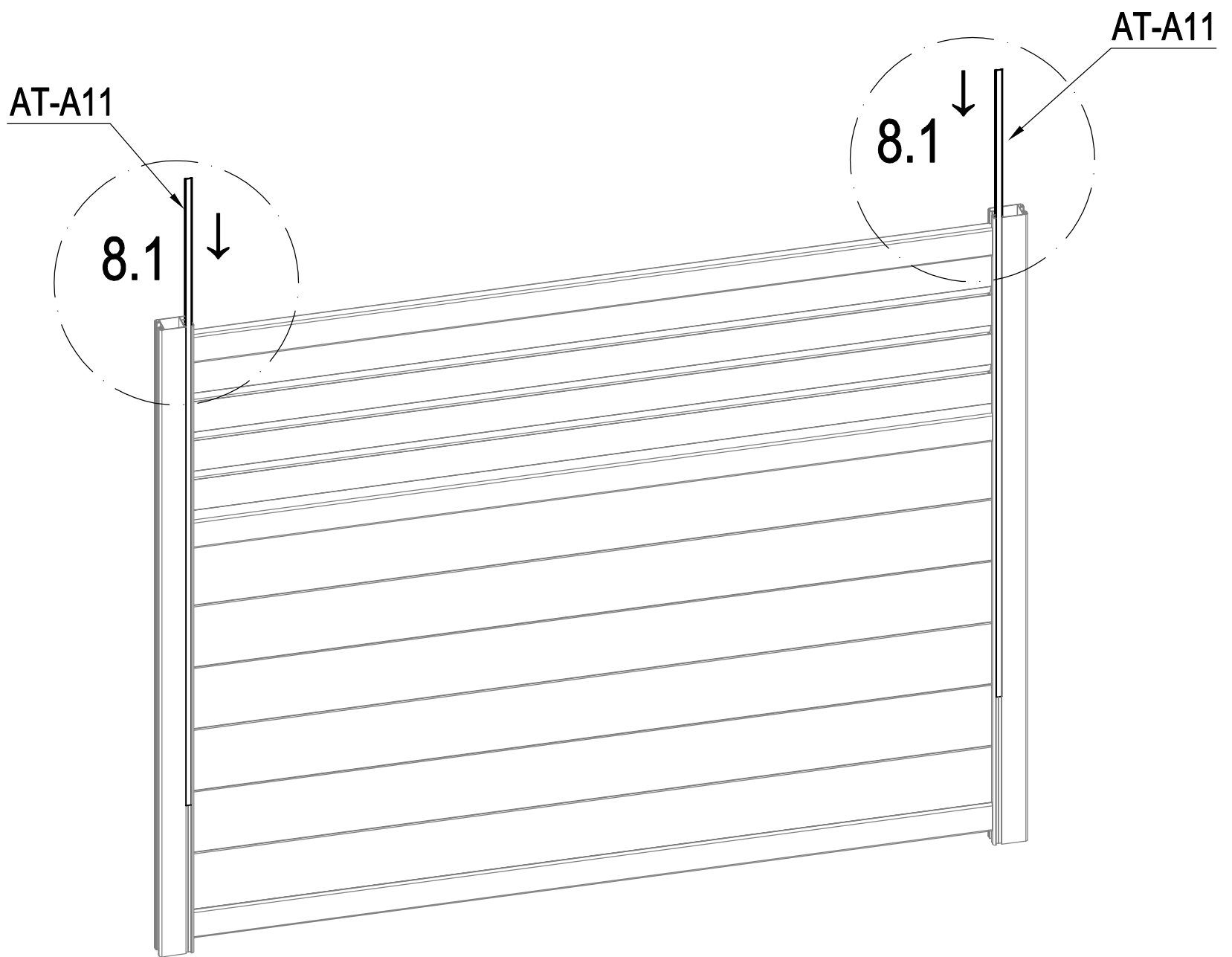
	SR-A1a	1
	Dr-28	3
	SR-E33	6



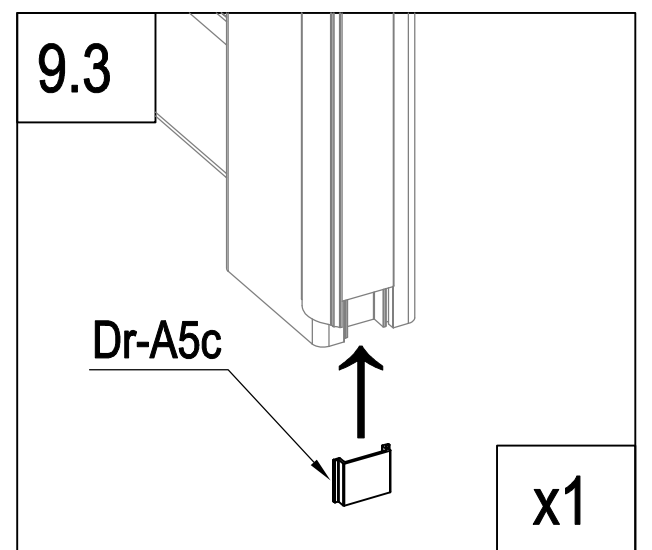
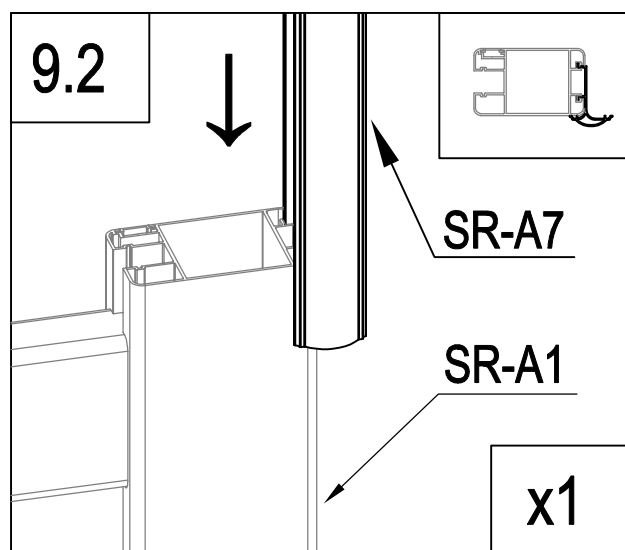
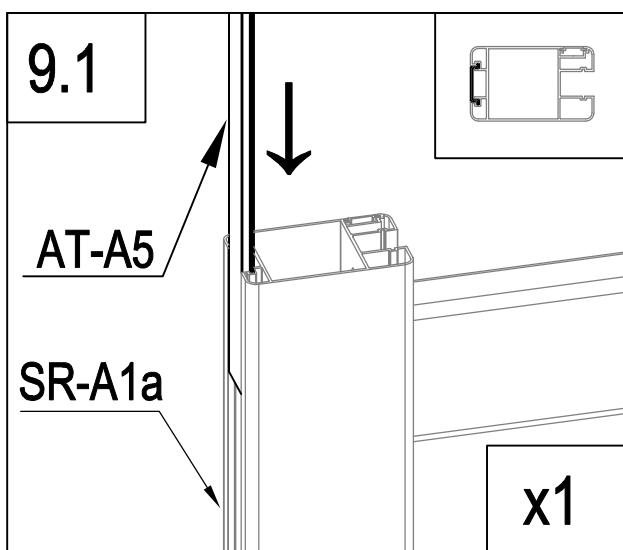
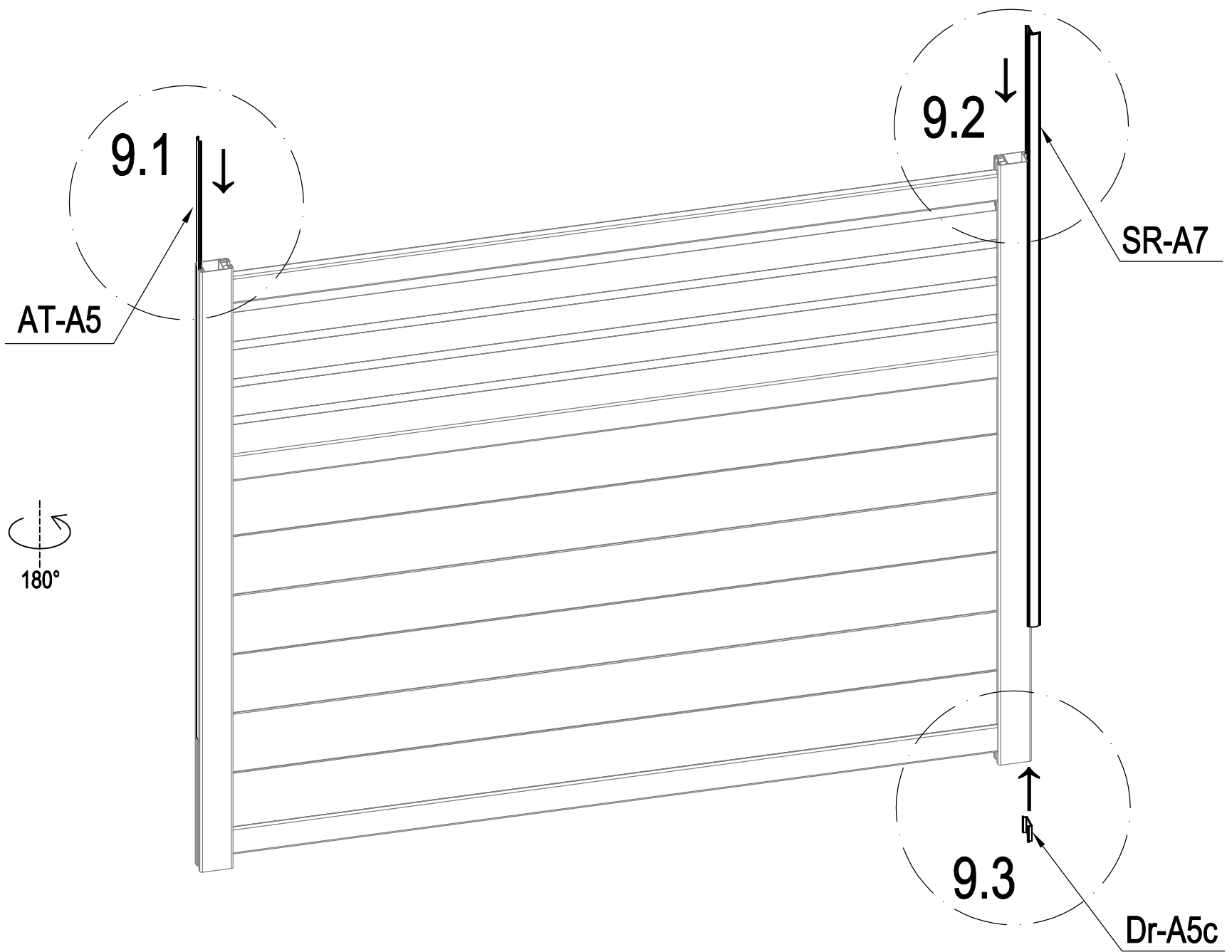
	SR-14	3
	SR-15	3

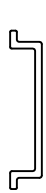
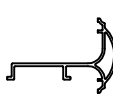


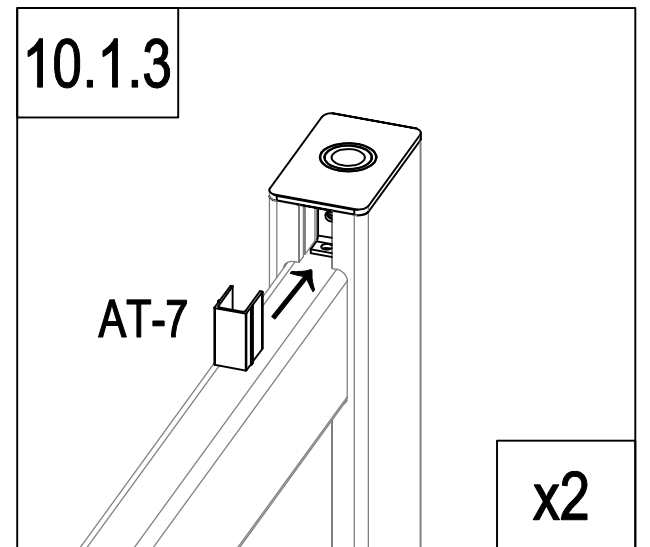
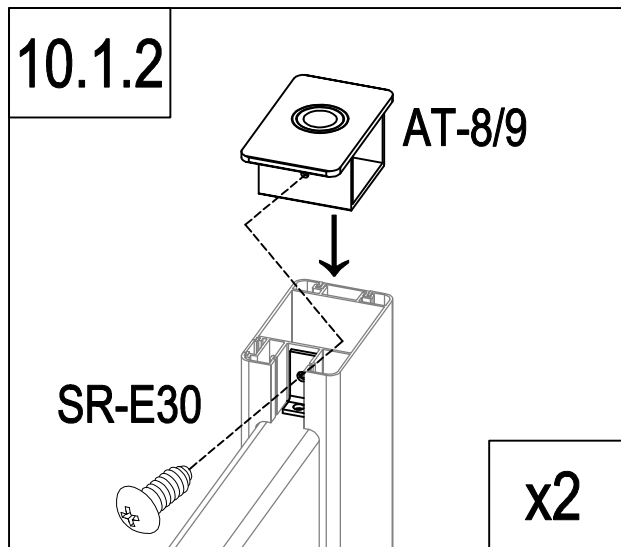
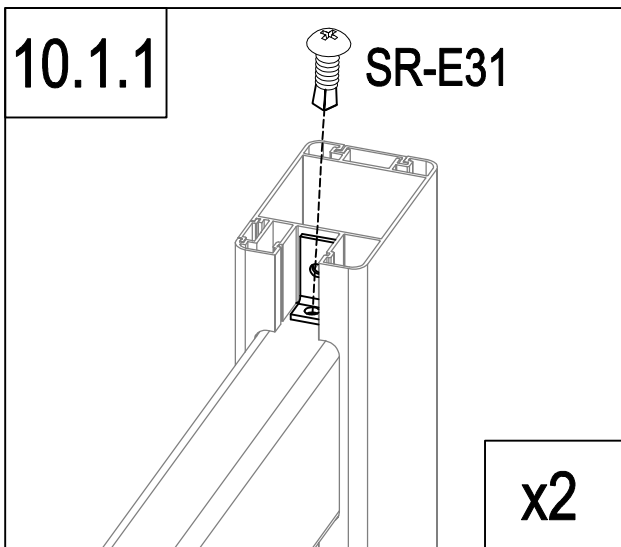
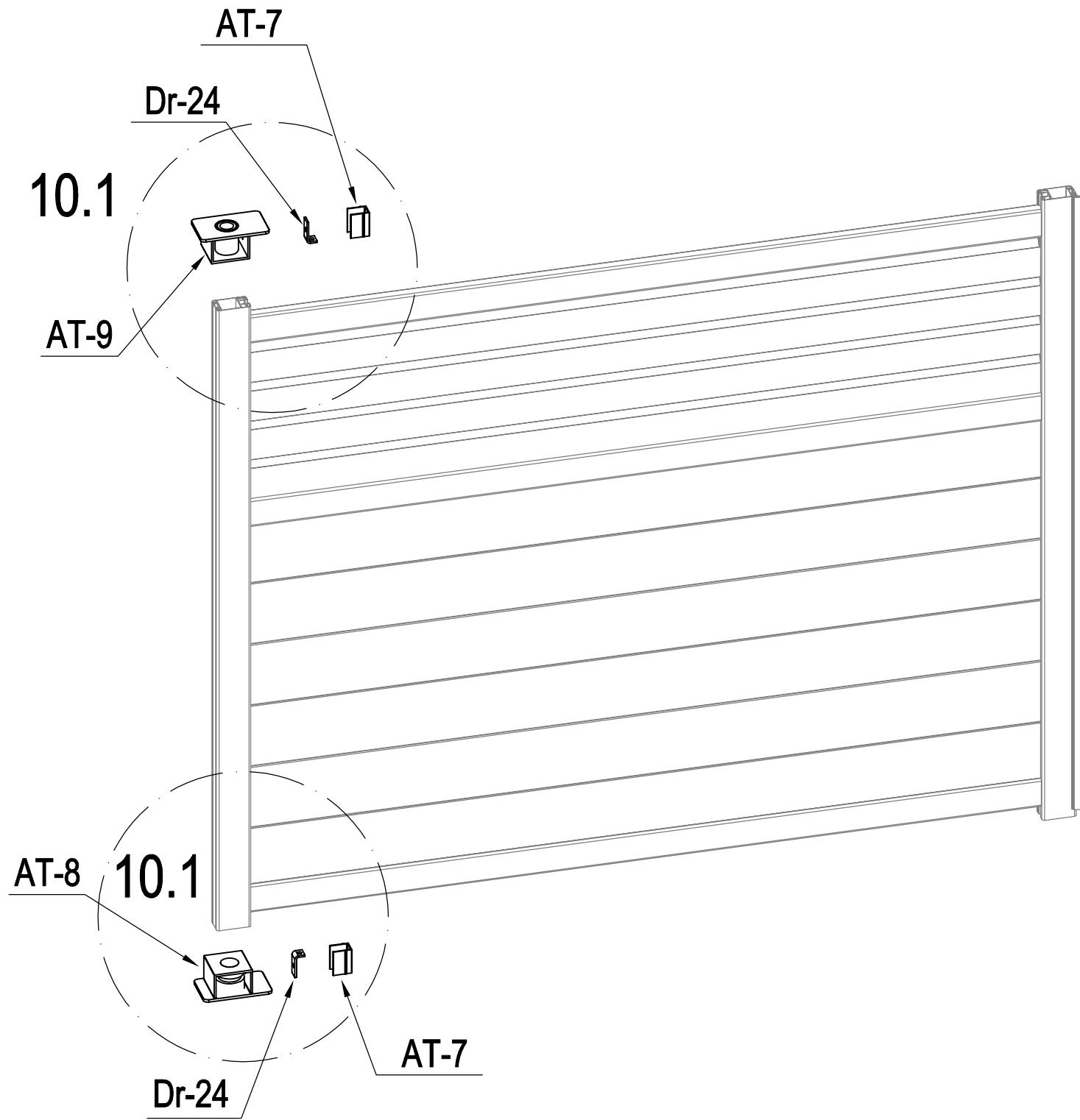
	SR-E36	32
---	--------	----



	AT-A11	2
---	---------------	----------

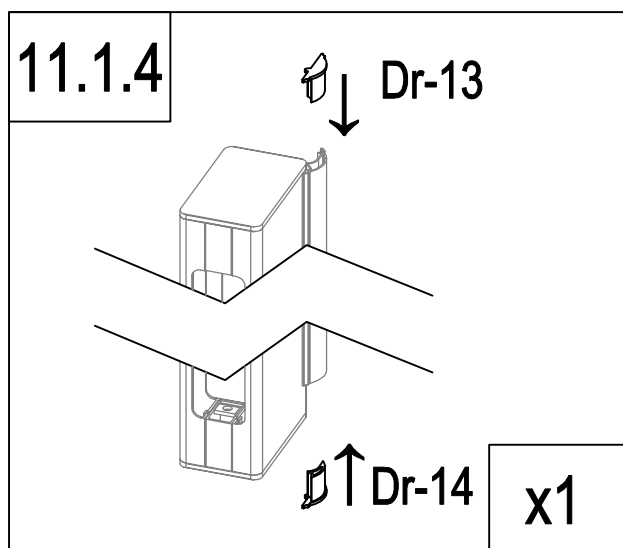
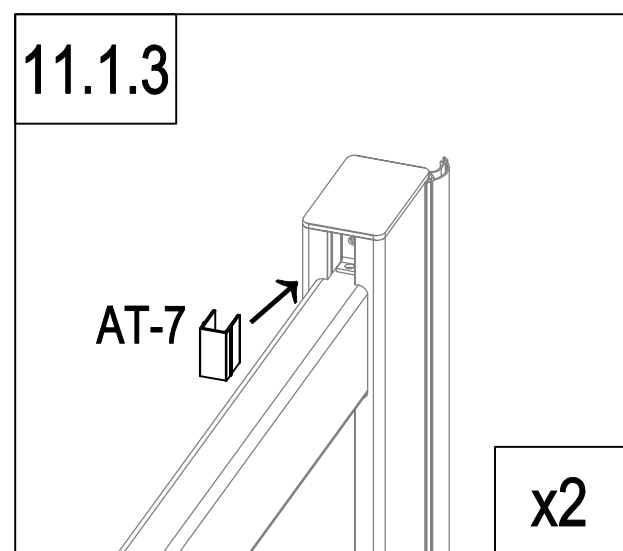
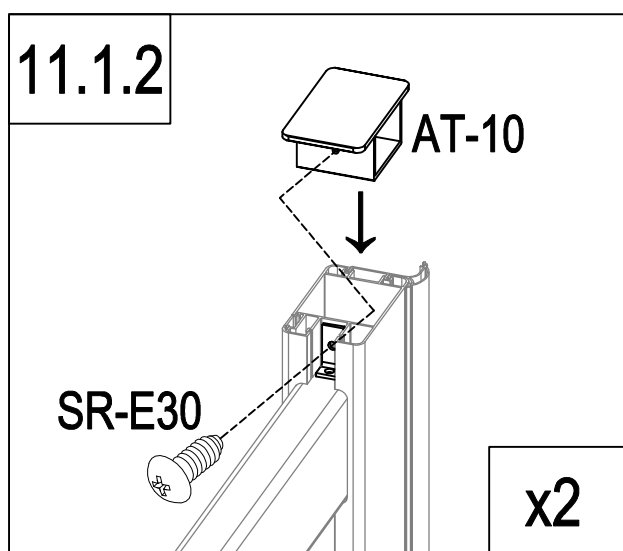
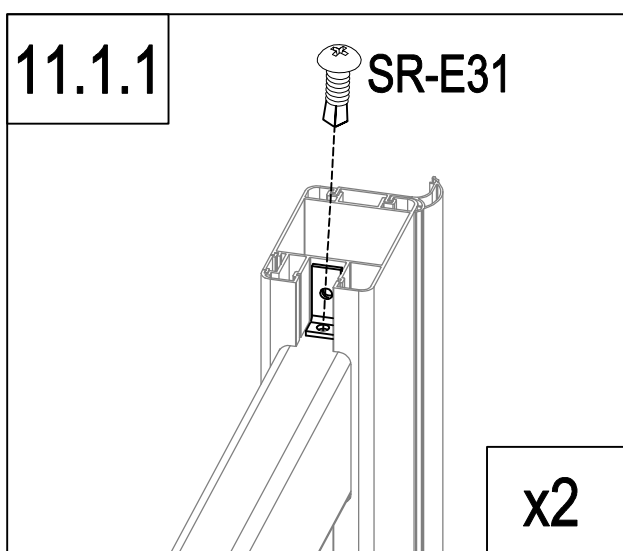
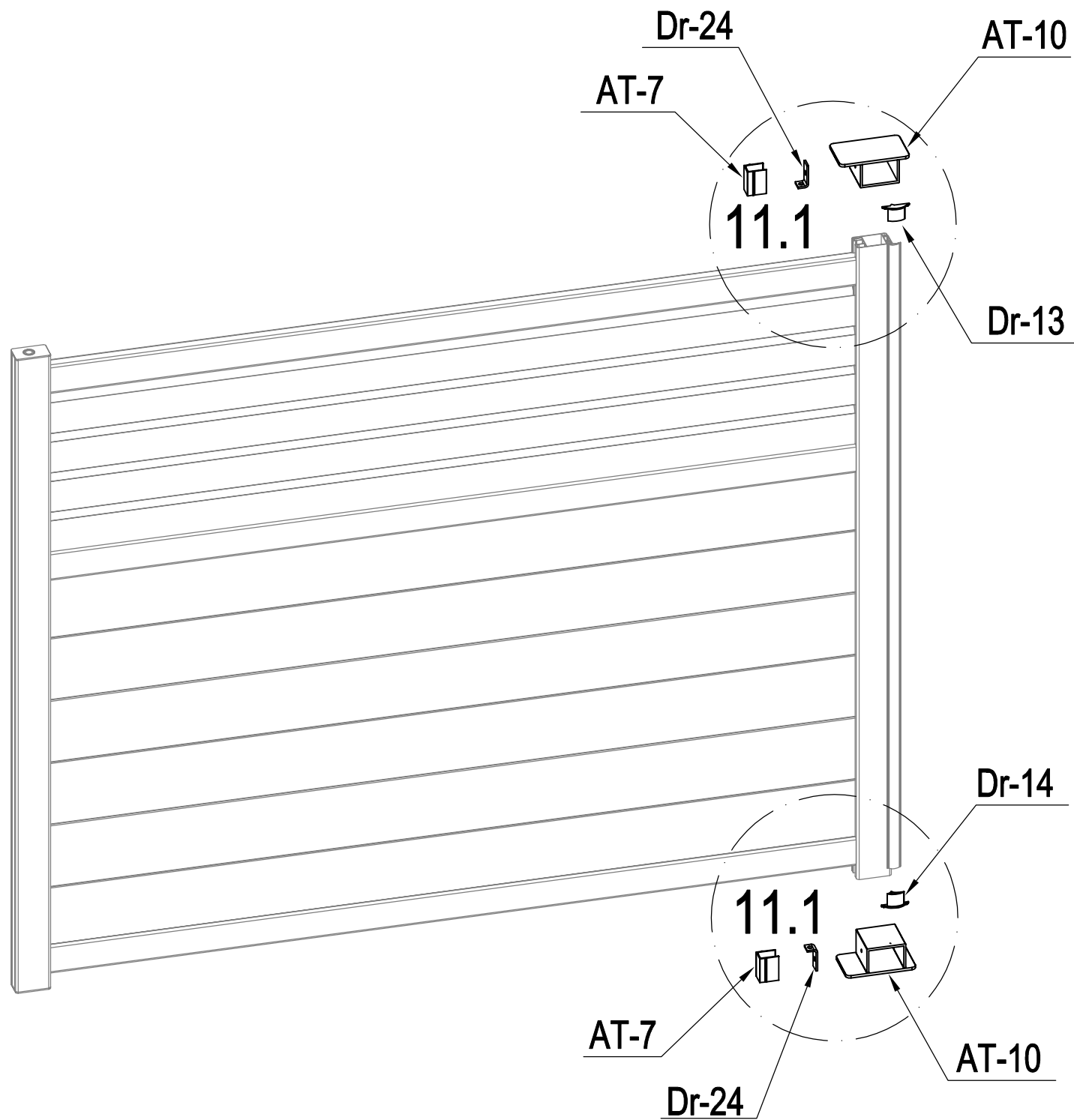


	AT-A5	1
	Dr-A5c	1
	SR-A7	1



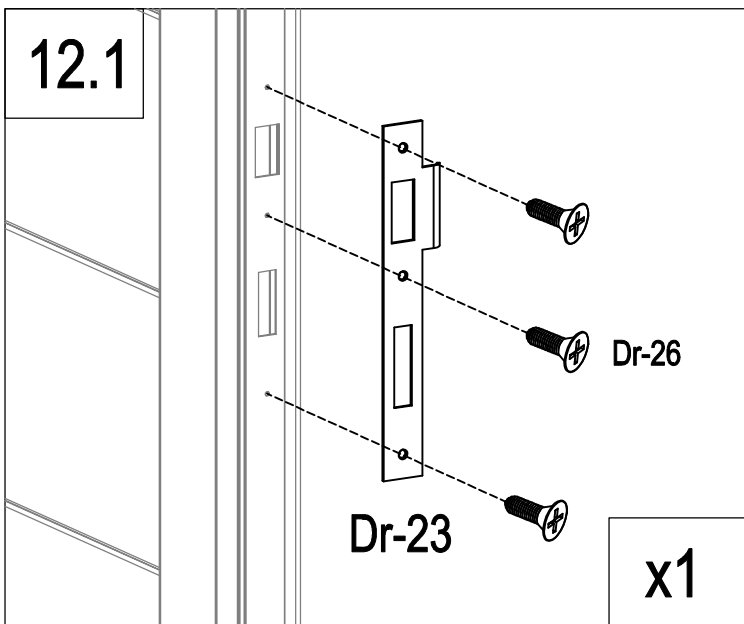
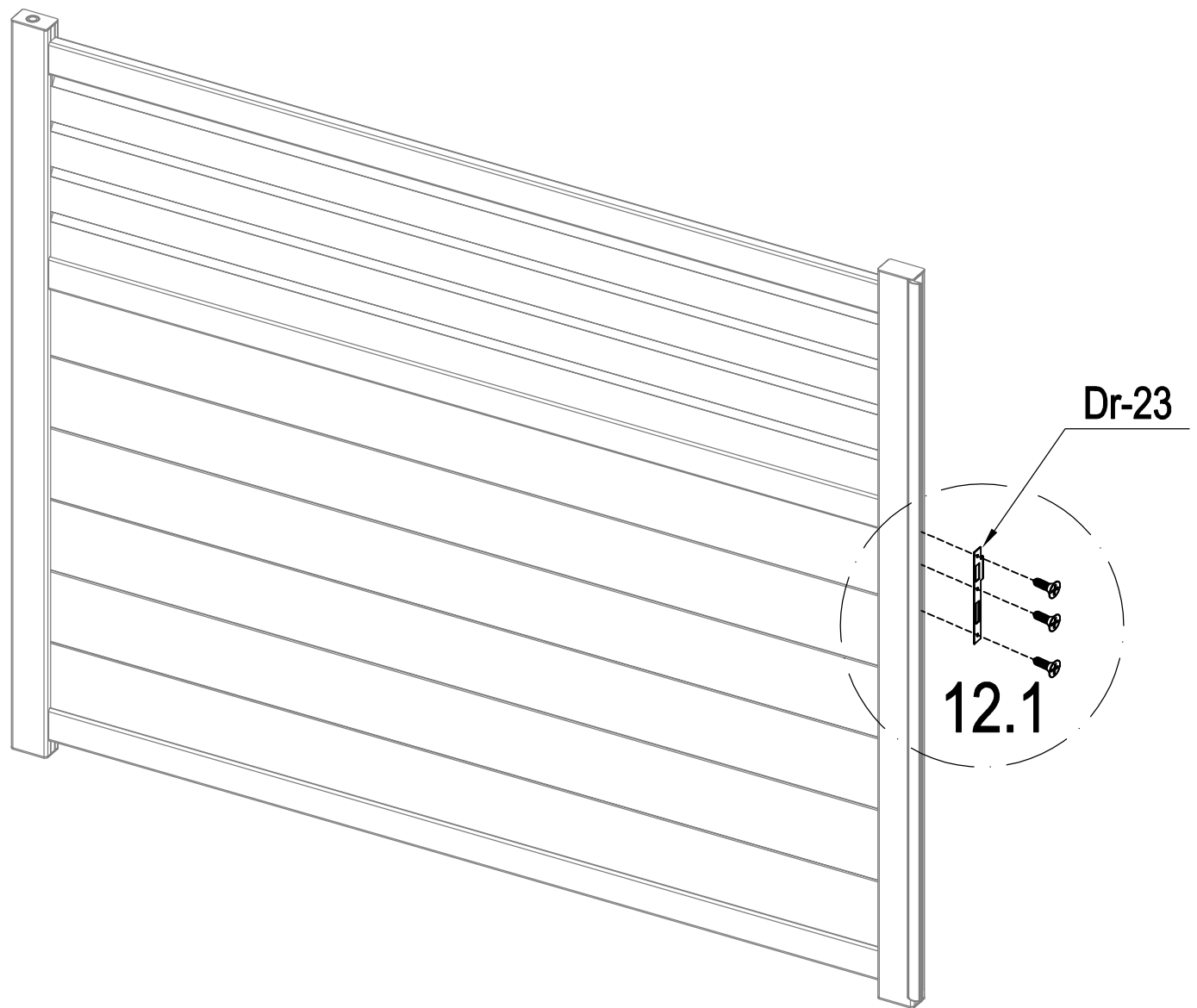
	AT-8	1
	AT-9	1
	Dr-24	2

	AT-7	2
	SR-E30	2
	SR-E31	2

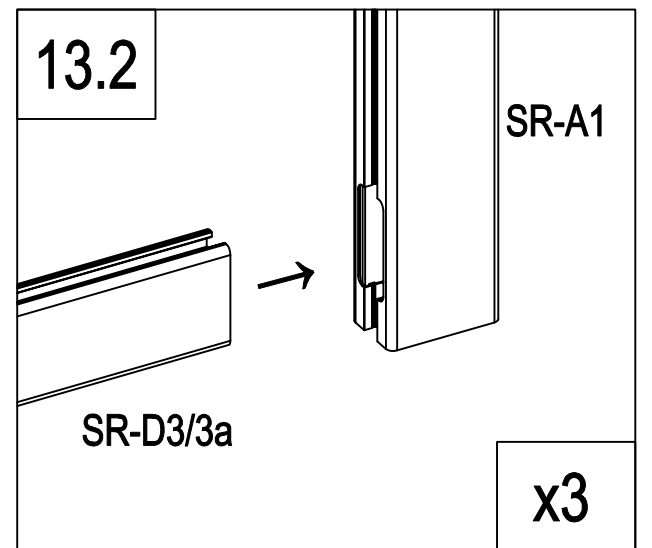
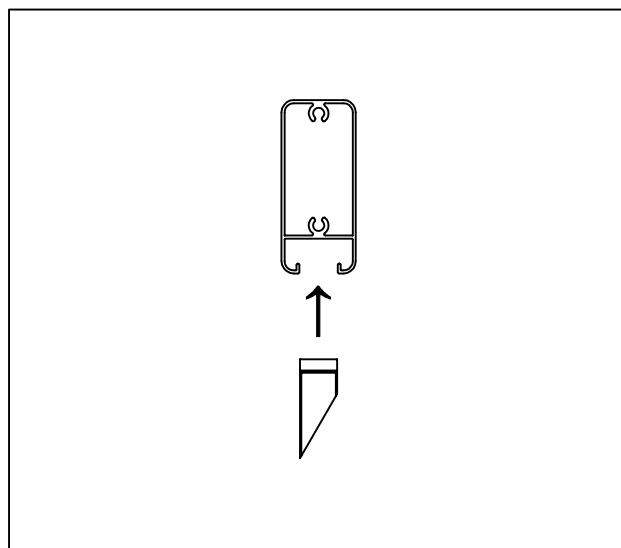
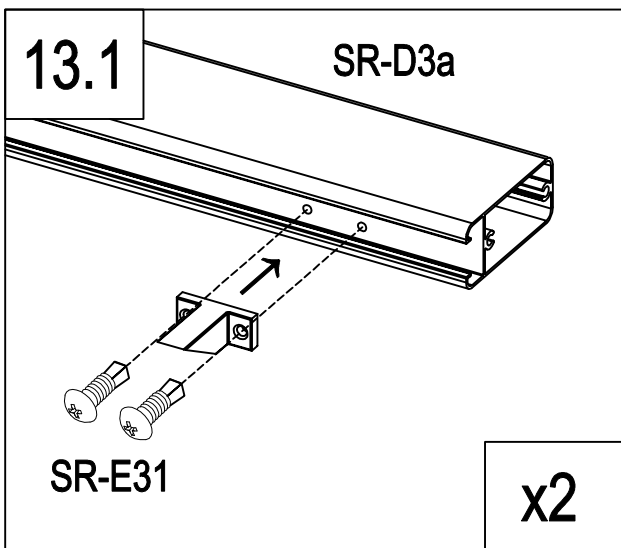
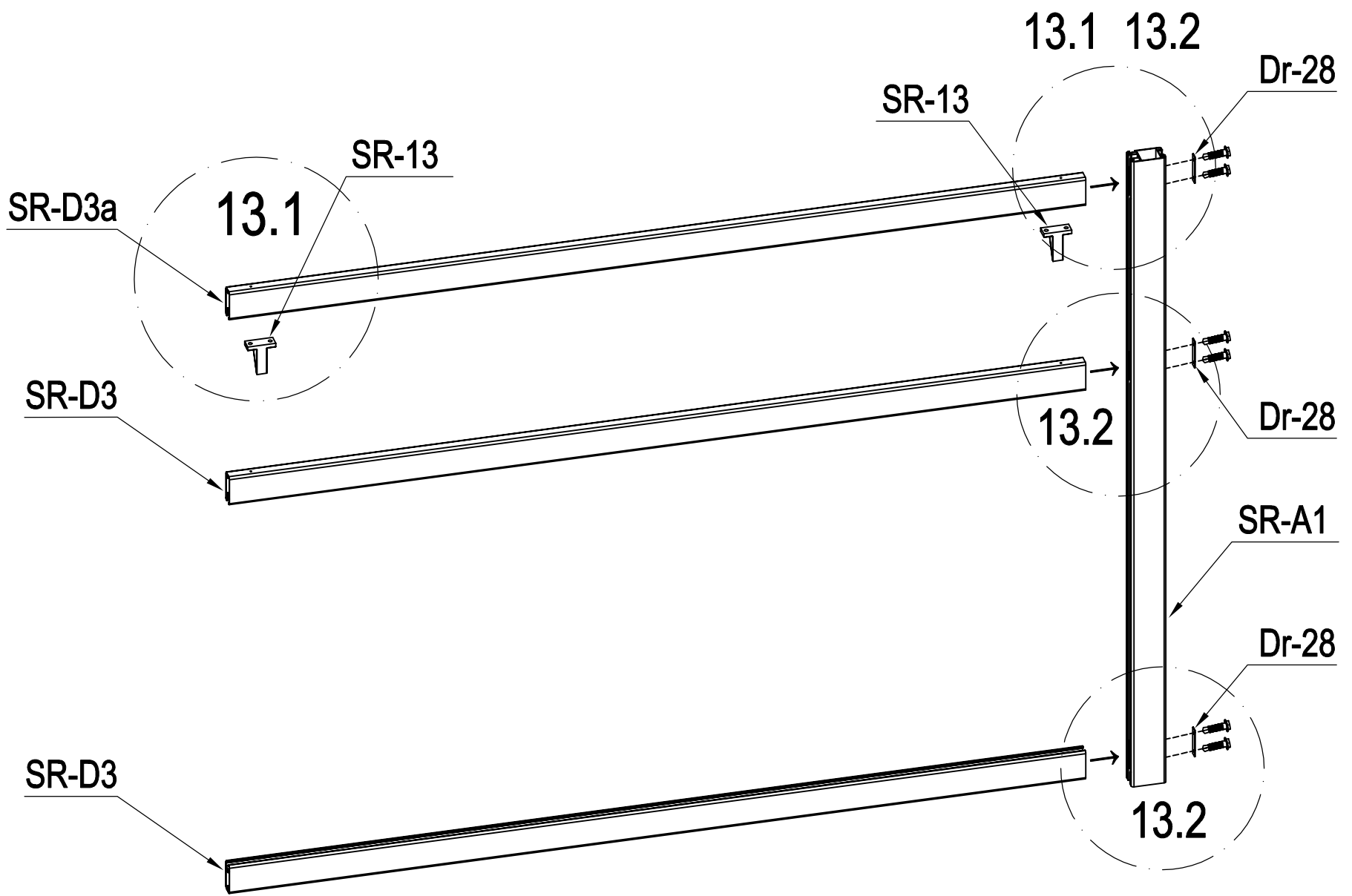


	AT-10	2
	Dr-24	2
	AT-7	2
	Dr-13	1

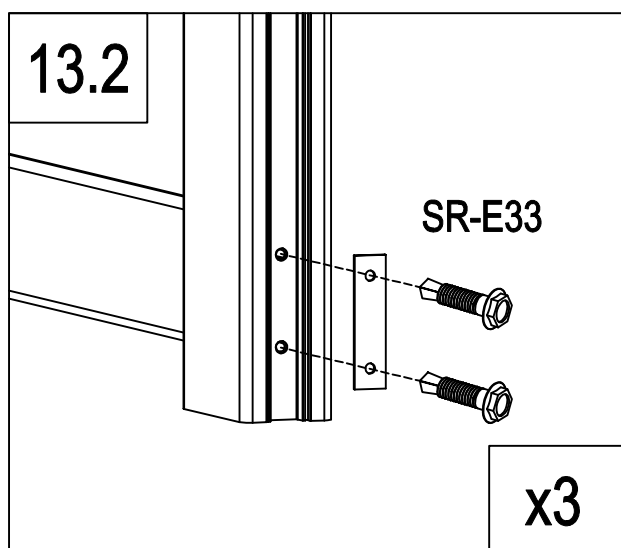
	Dr-14	1
	SR-E30	2
	SR-E31	2



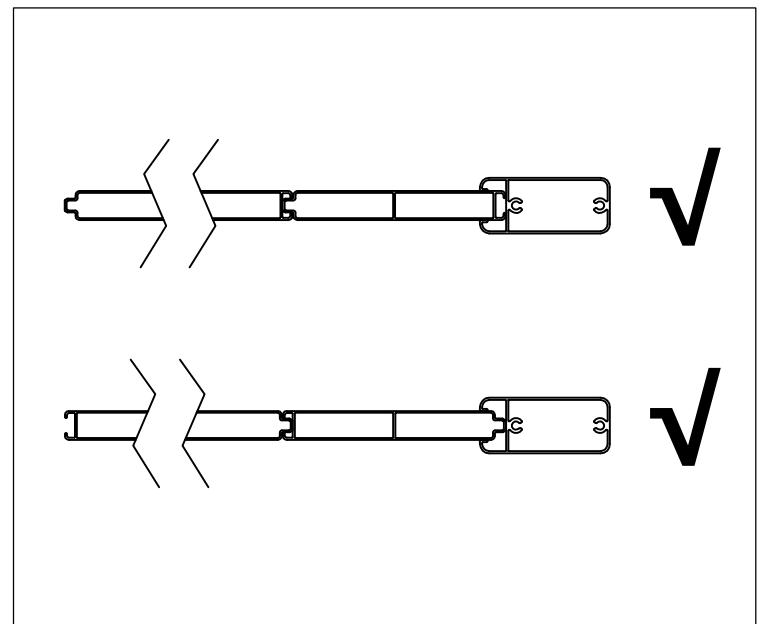
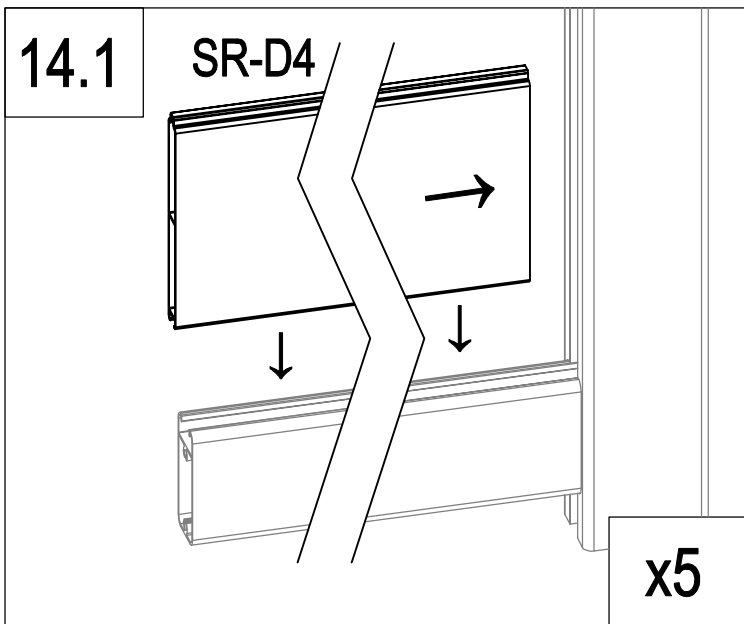
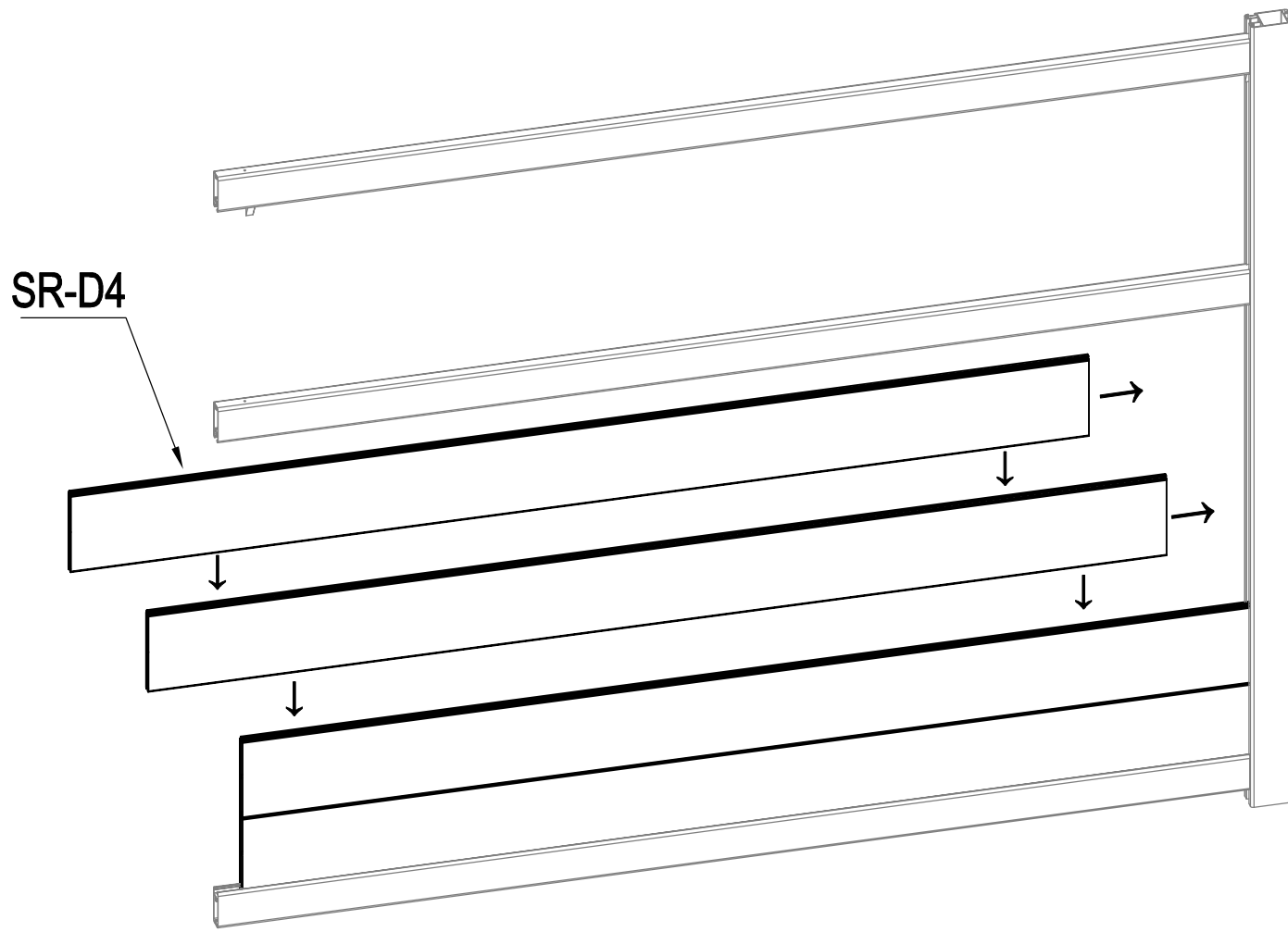
	Dr-23	1
	Dr-26	3

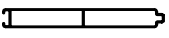


	SR-A1	1
	SR-D3	2
	SR-D3a	1
	SR-13	2

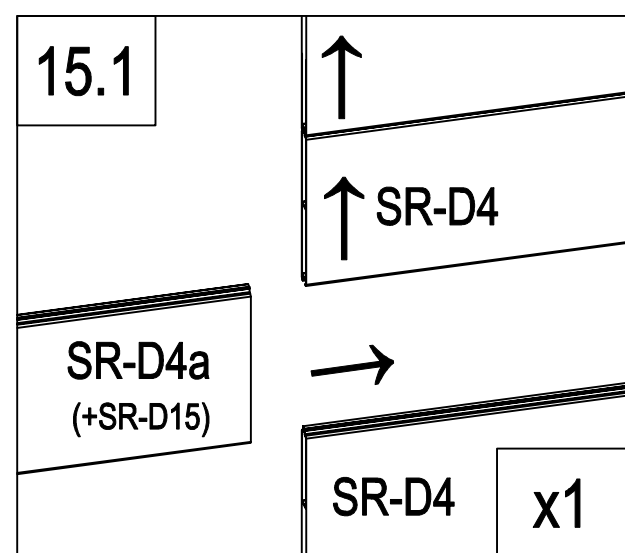
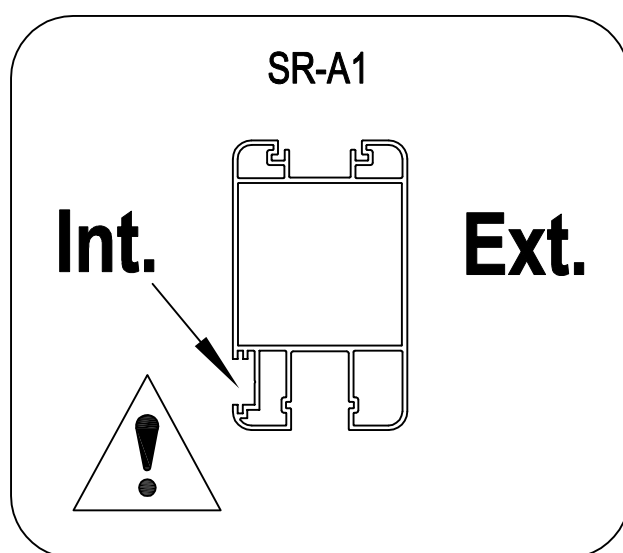
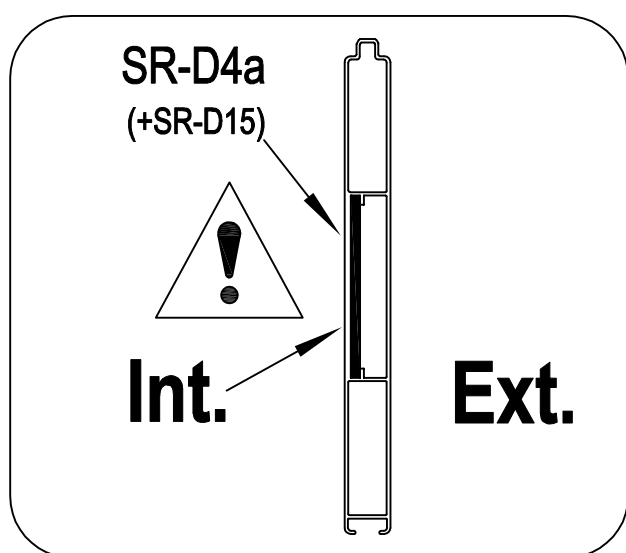
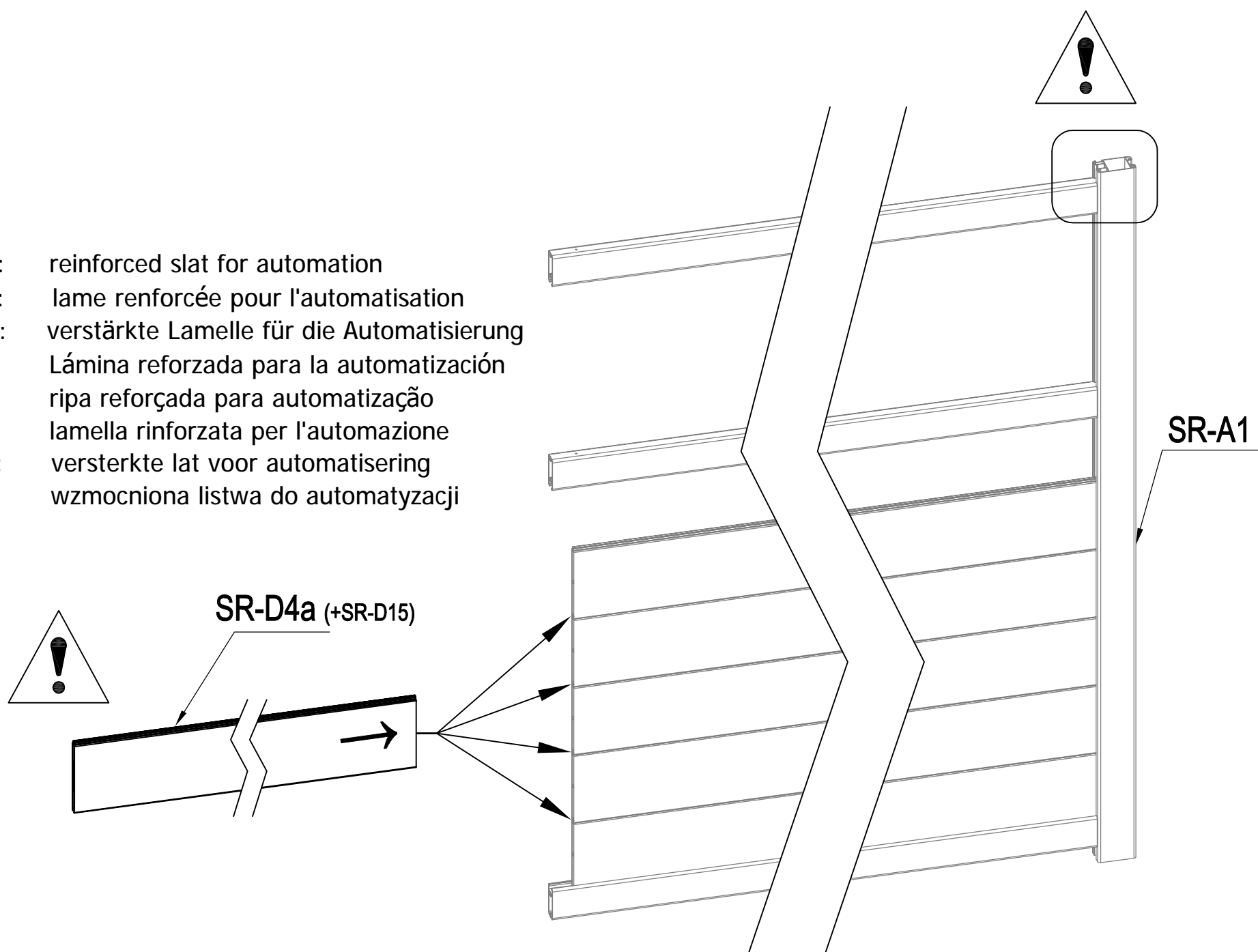



	Dr-28	3
	SR-E31	4
	SR-E33	6



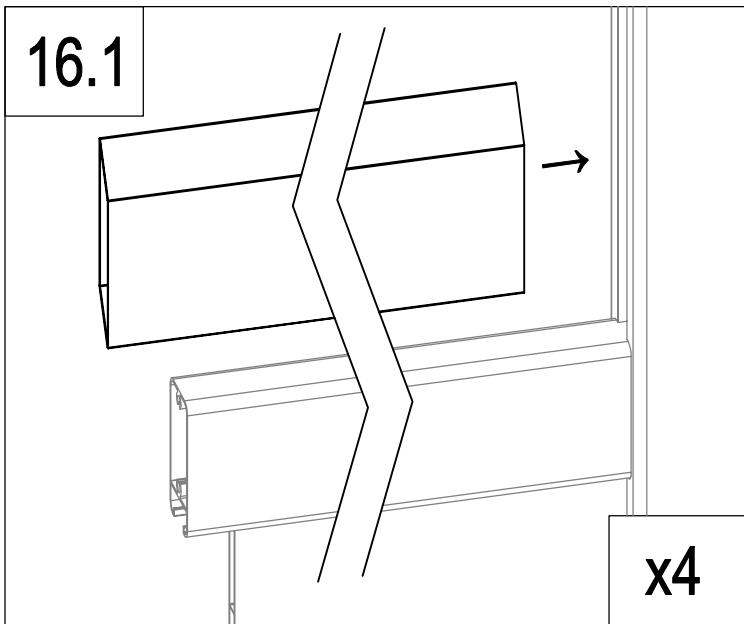
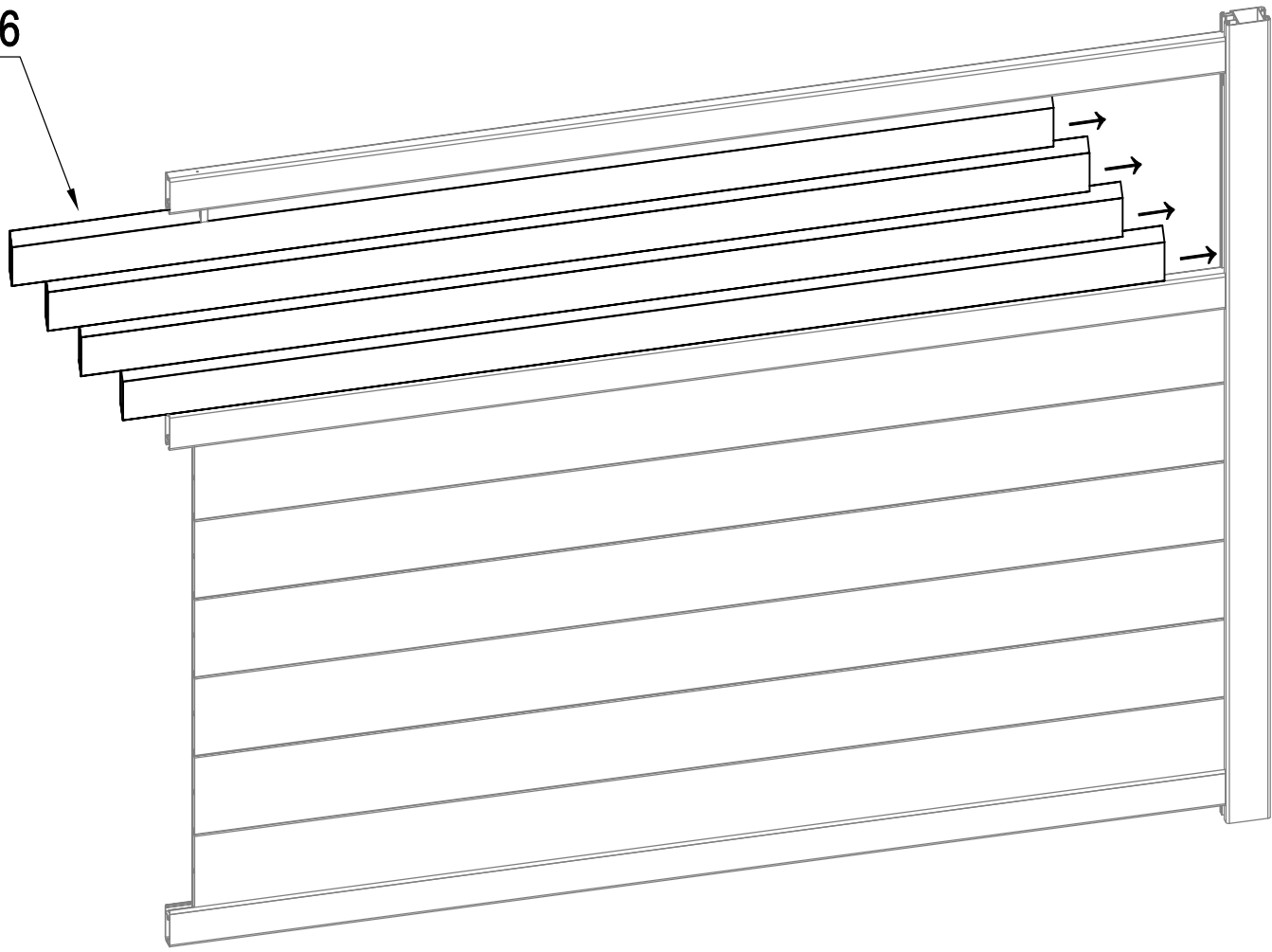
	SR-D4	5
---	-------	---

- EN: reinforced slat for automation
- FR: lame renforcée pour l'automatisation
- DE: verstärkte Lamelle für die Automatisierung
- ES: Lámina reforzada para la automatización
- PT: ripa reforçada para automatização
- IT: lamella rinforzata per l'automazione
- NL: versterkte lat voor automatisering
- PL: wzmocniona listwa do automatyzacji

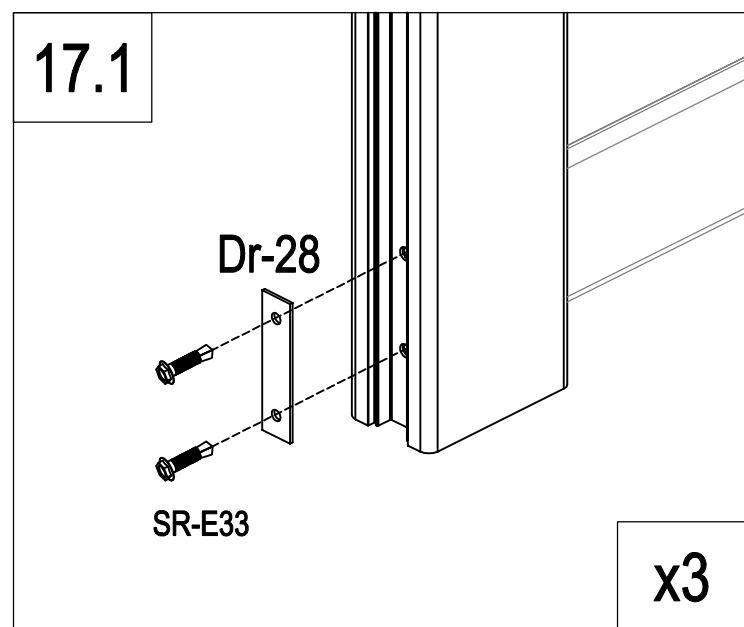
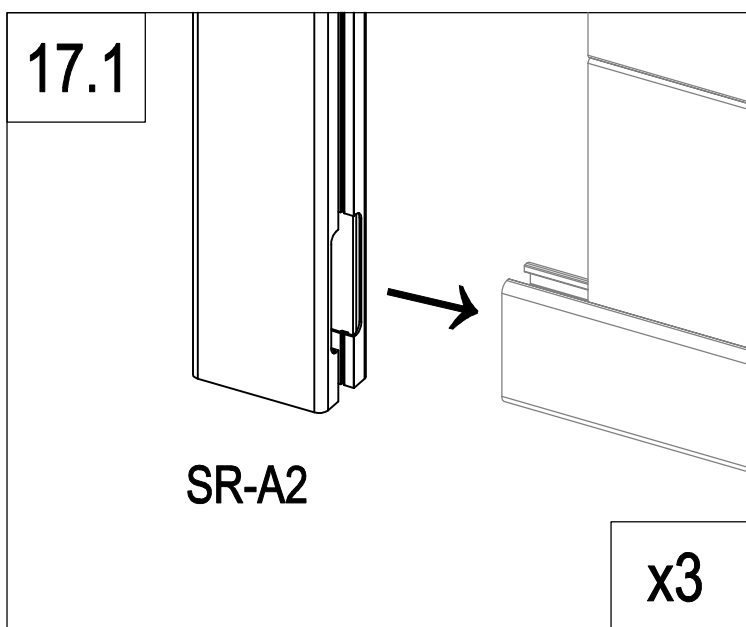
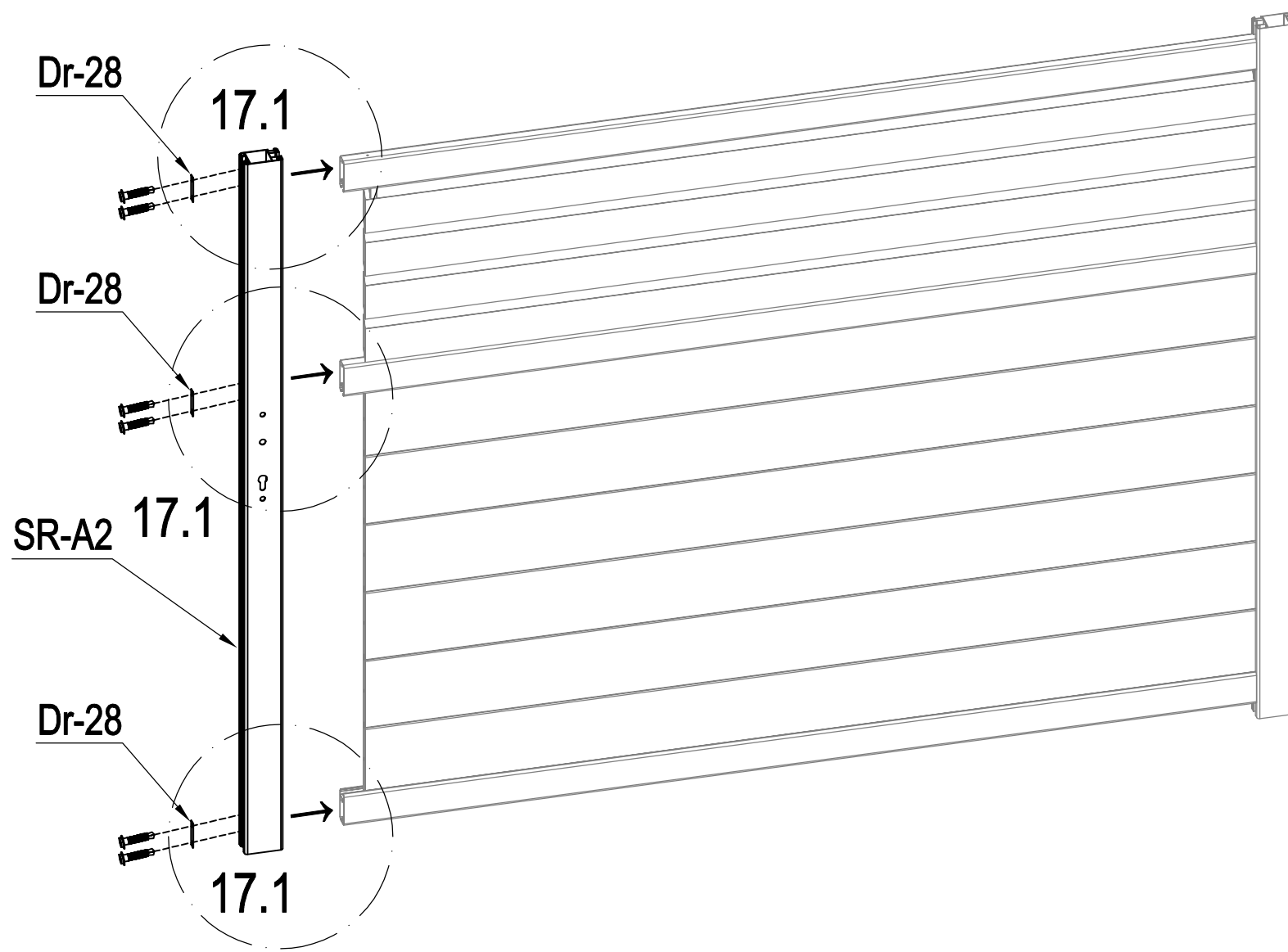


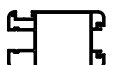


	SR-D4a (+SR-D15)	1
---	------------------	---

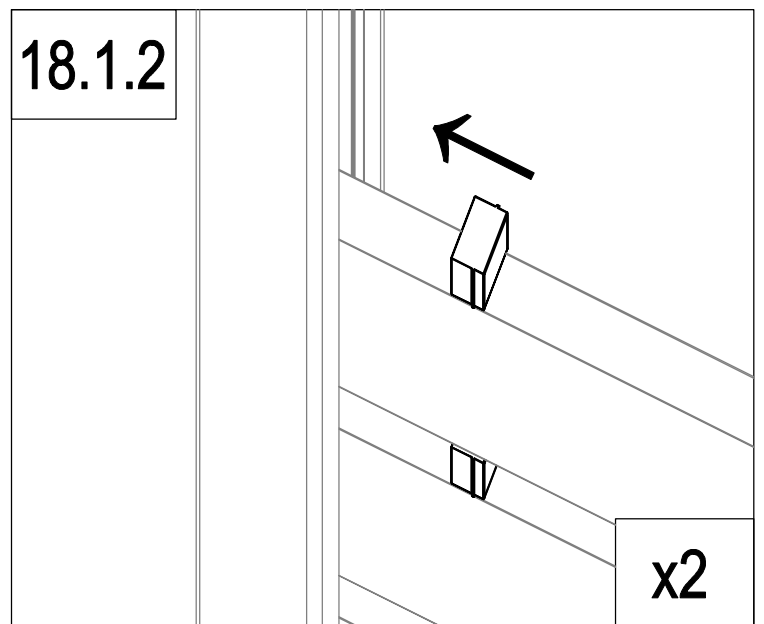
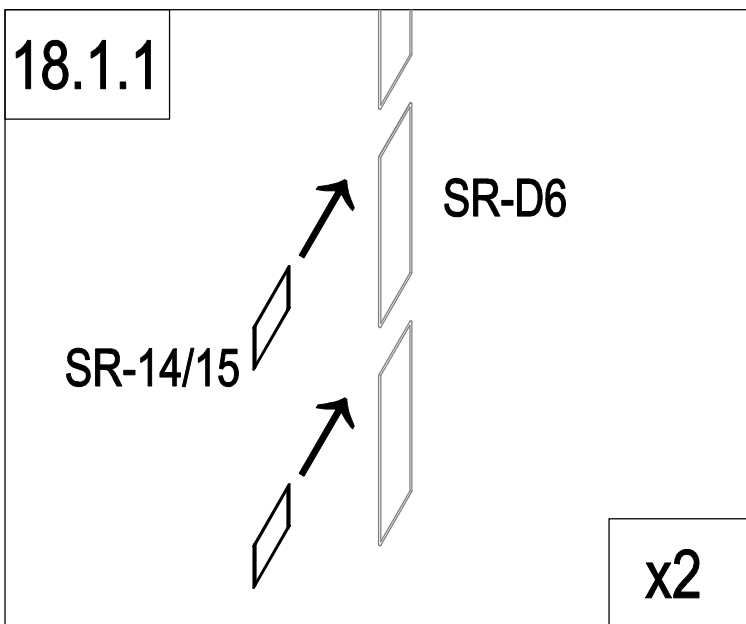
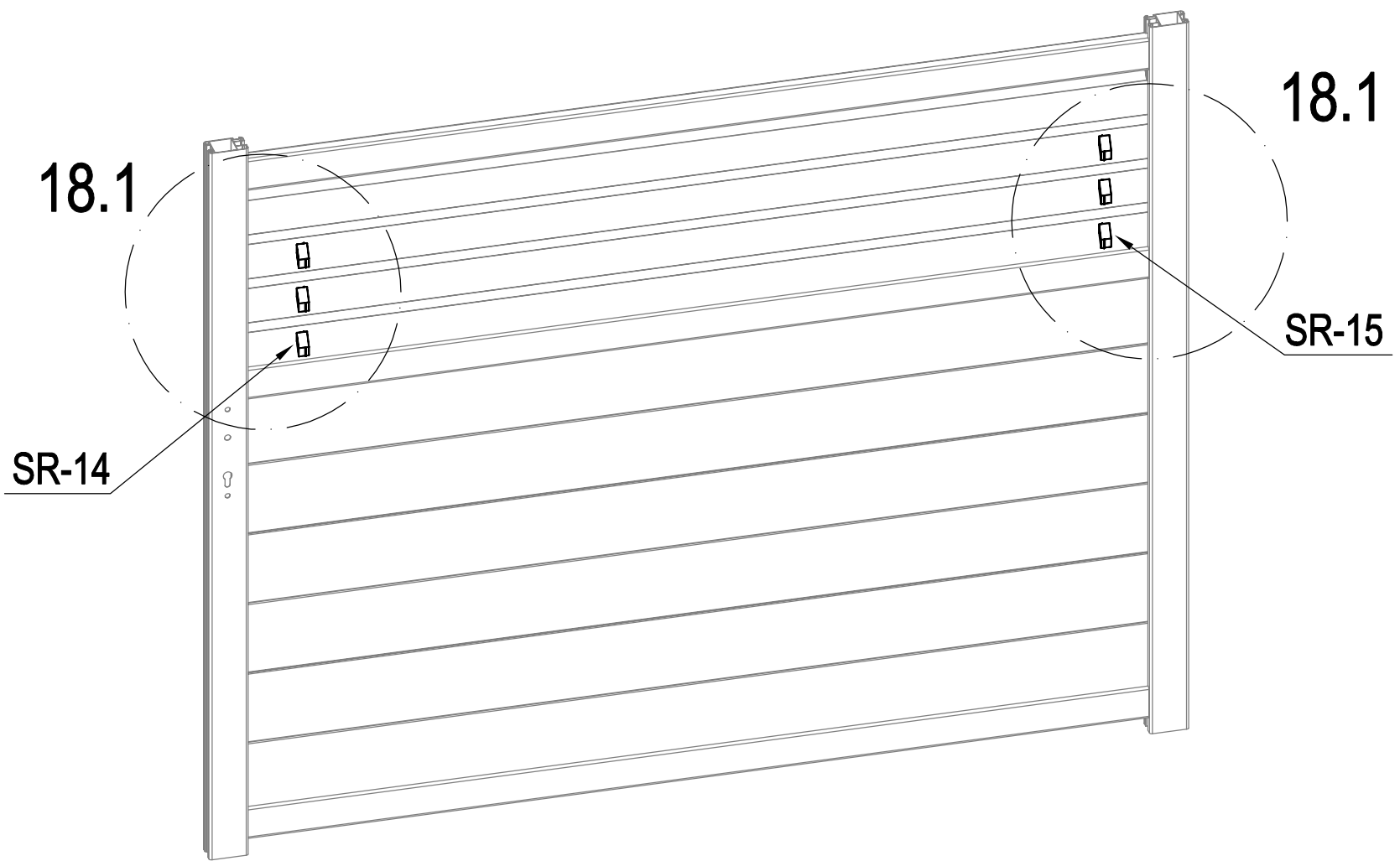
SR-D6





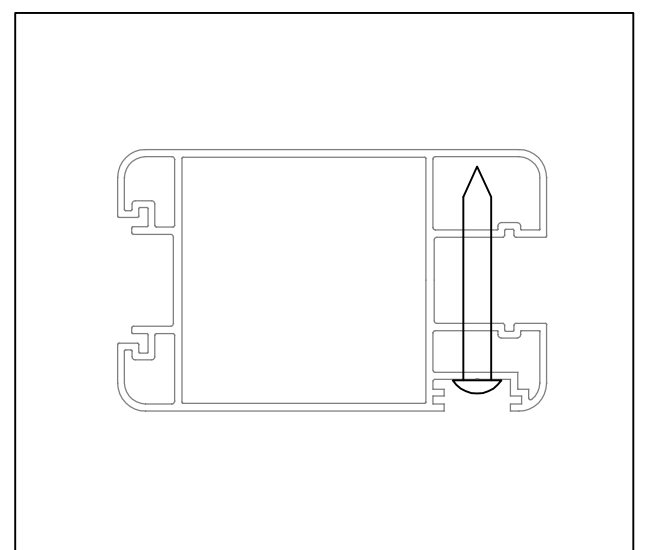
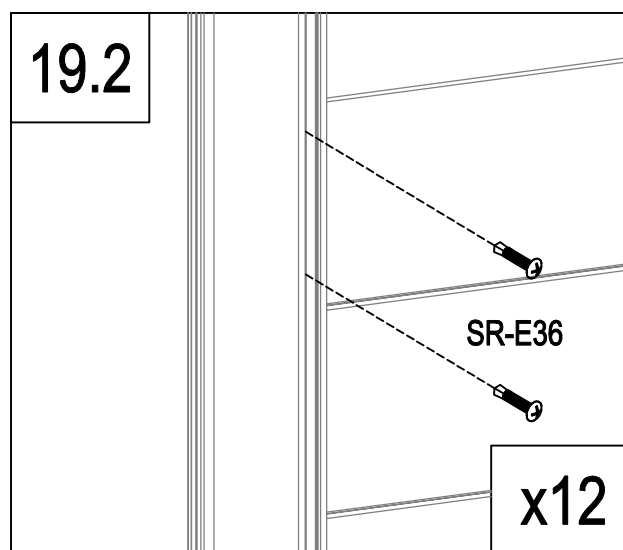
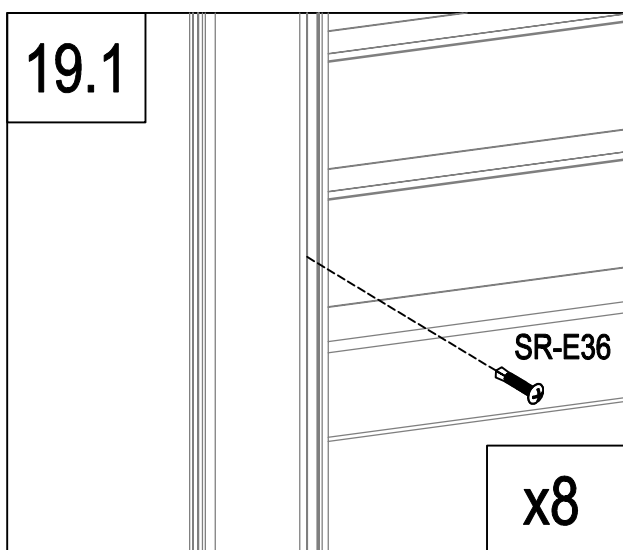
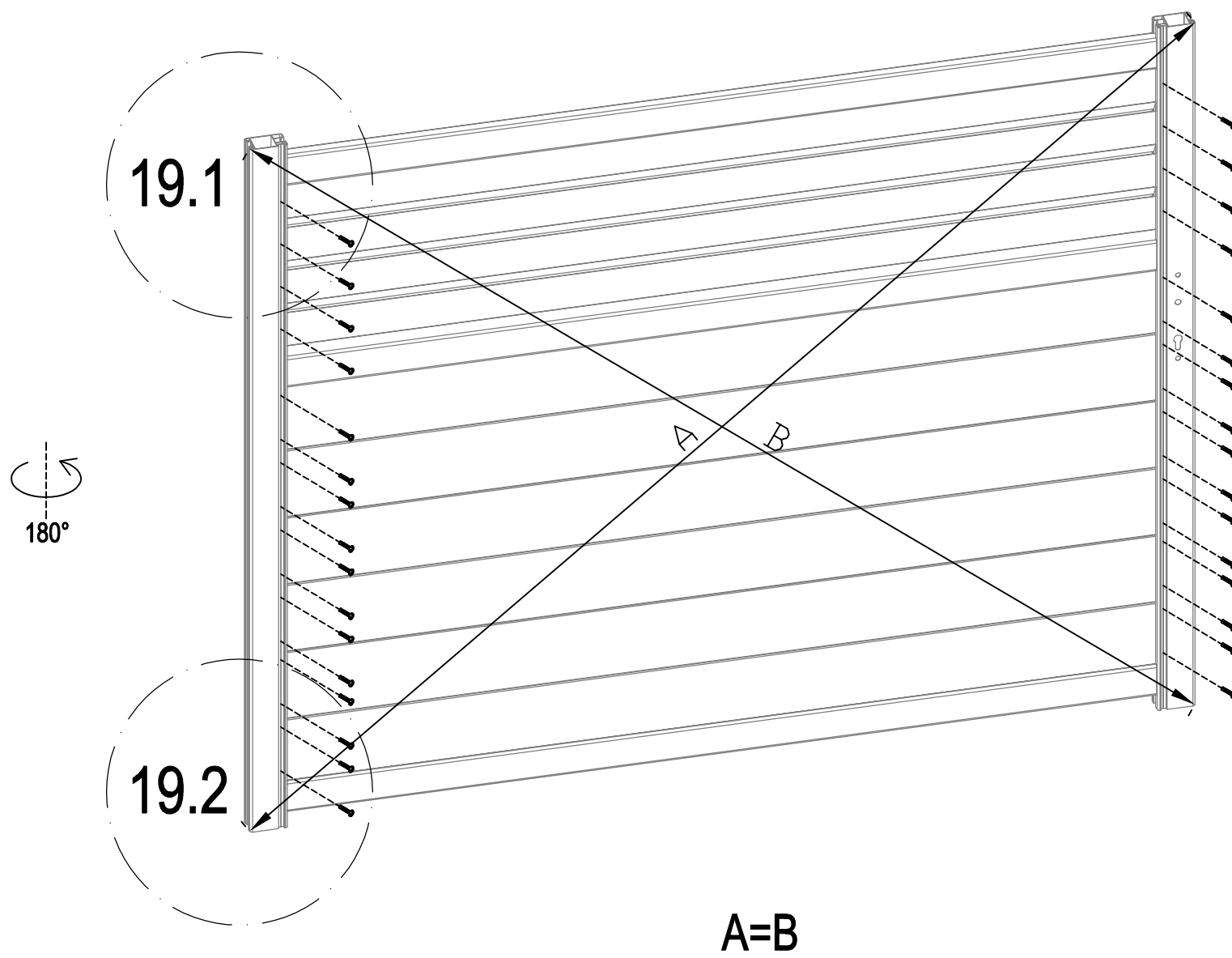
	SR-D6	4
---	-------	---




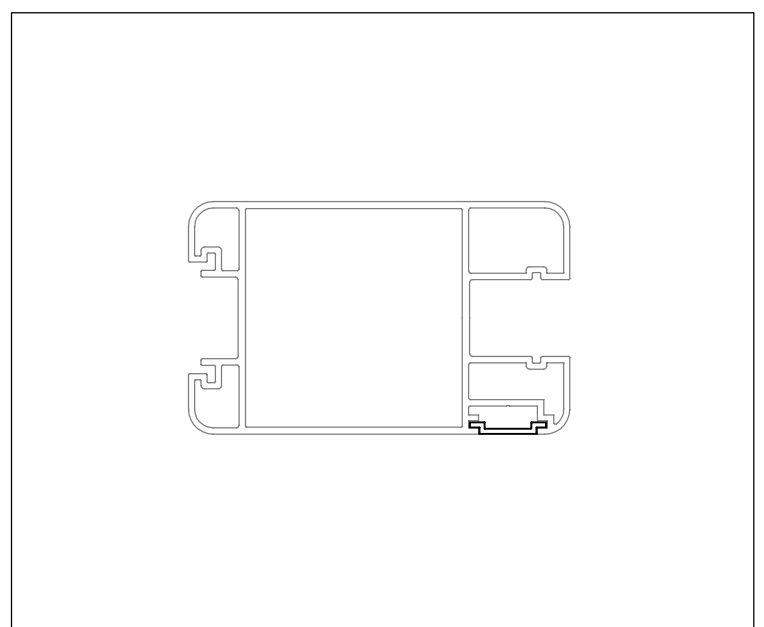
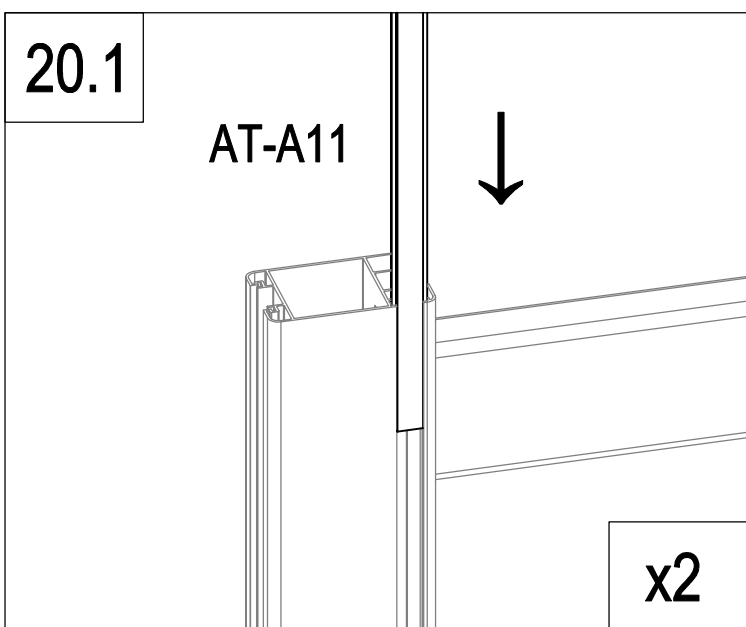
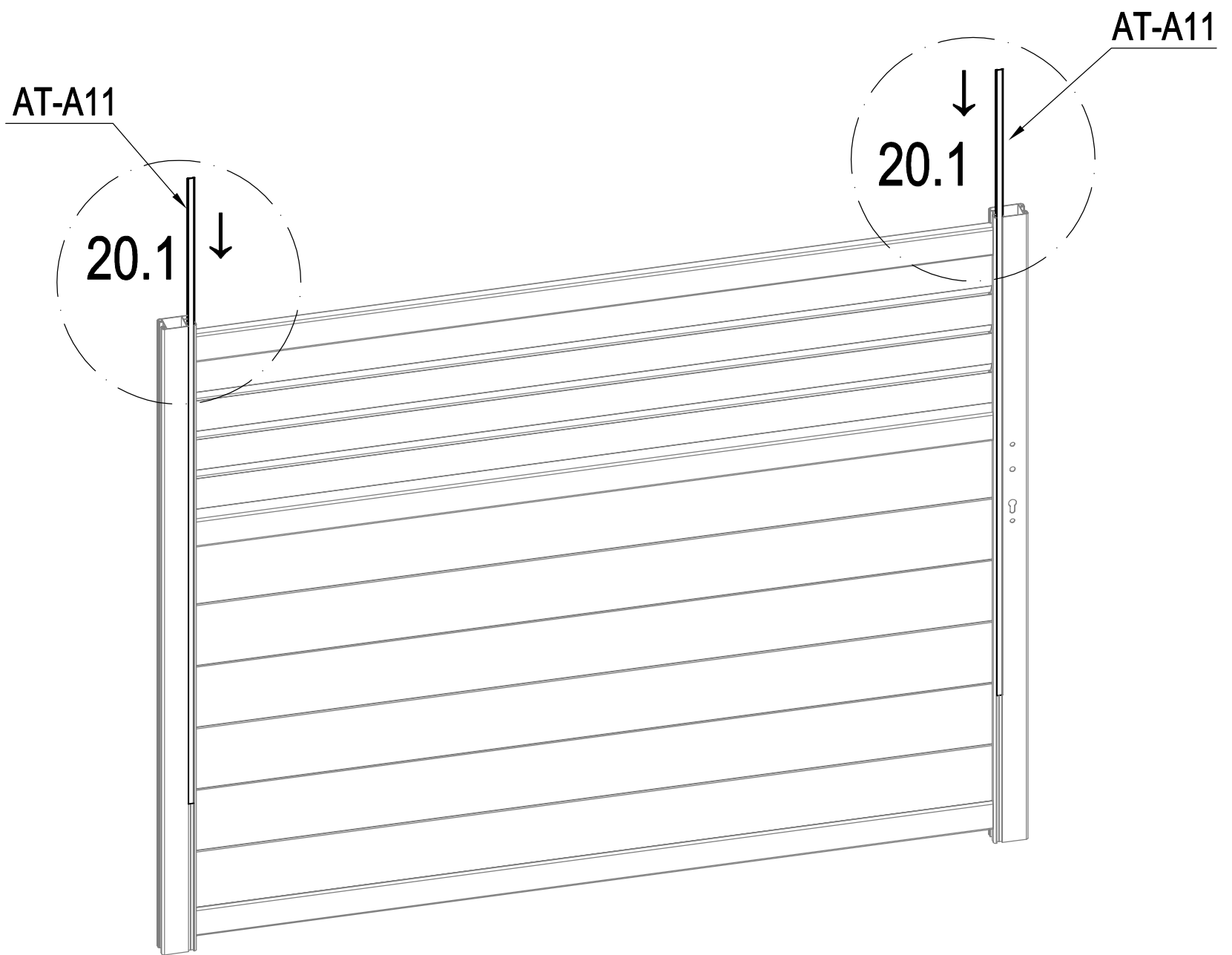
	SR-A2	1
	Dr-28	3
	SR-E33	6



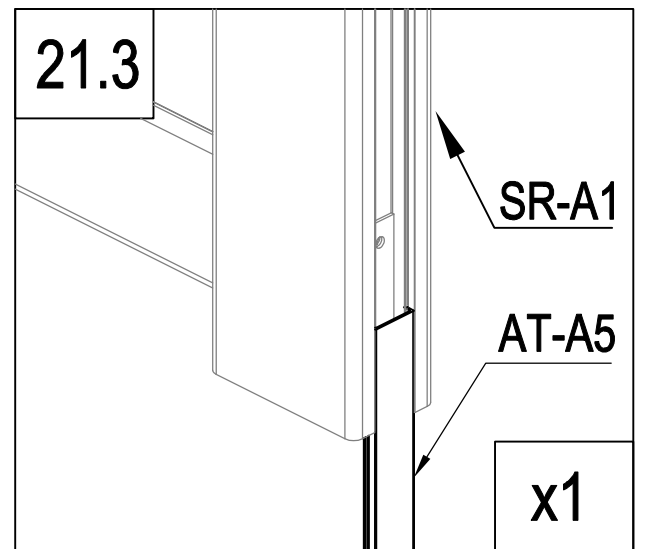
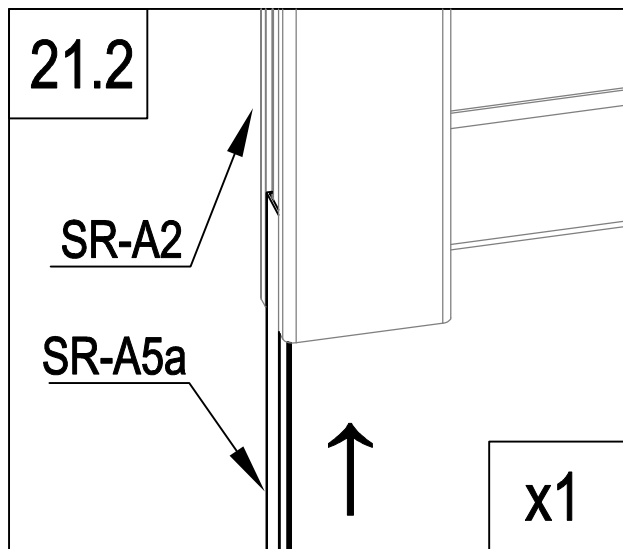
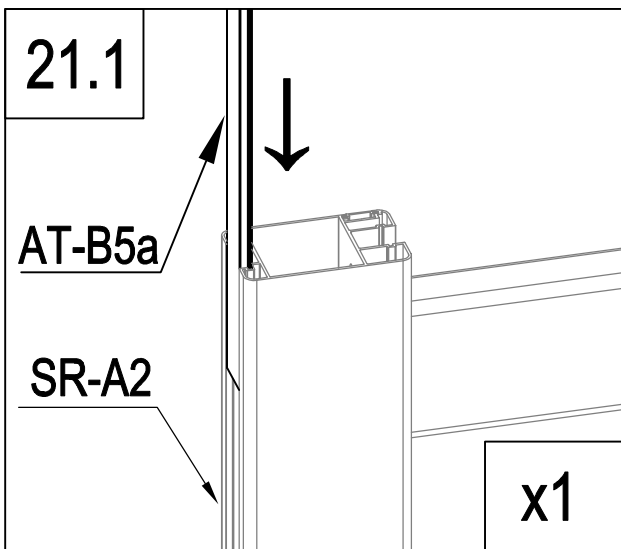
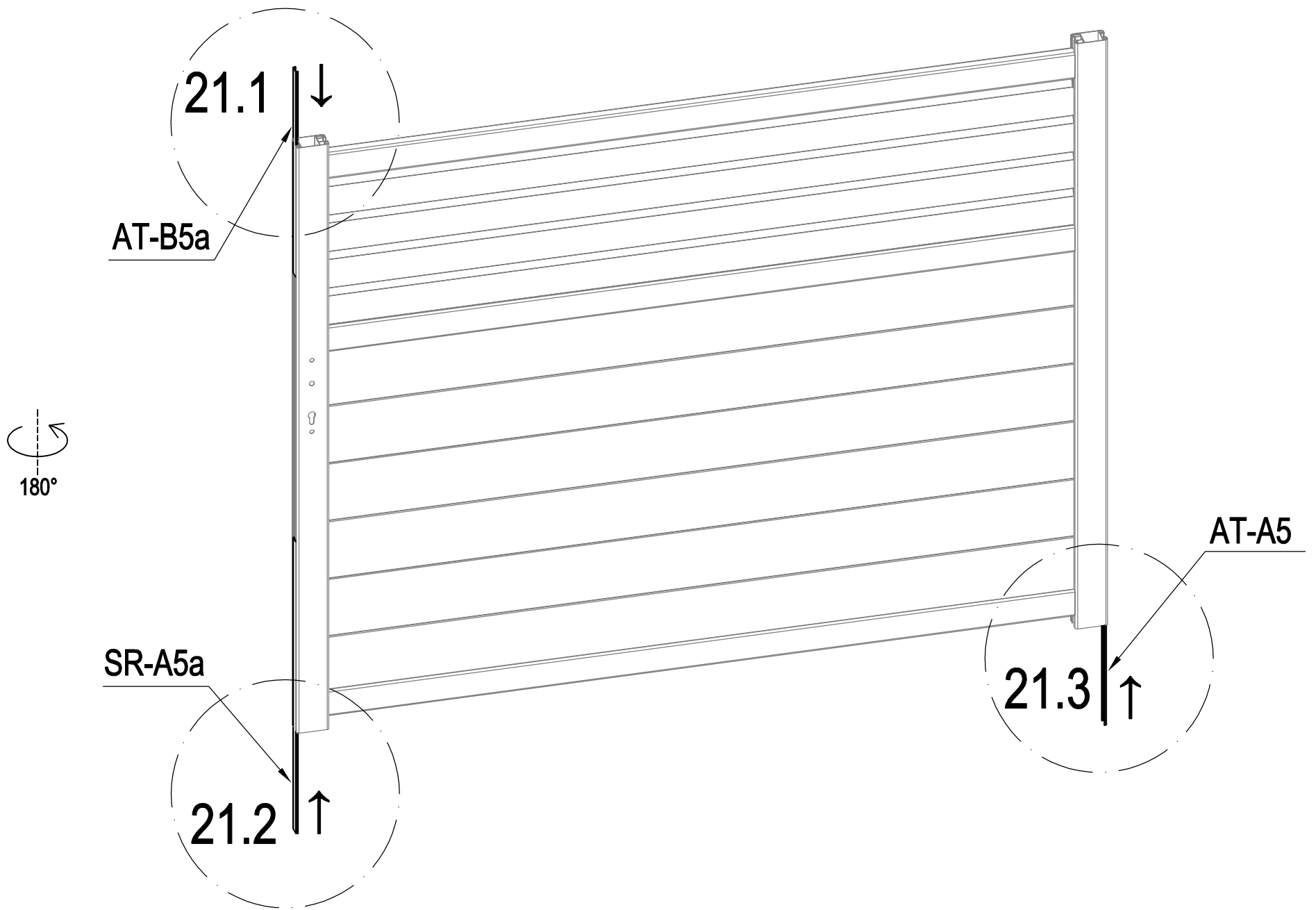
	SR-14	3
	SR-15	3

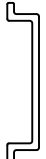


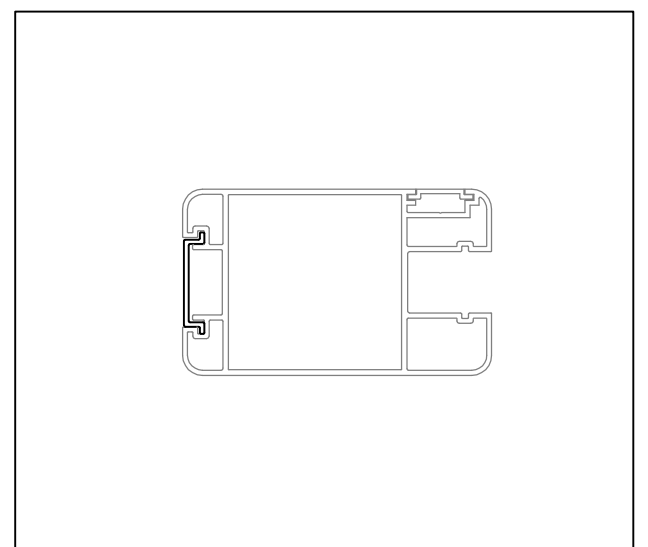
	SR-E36	32
---	--------	----

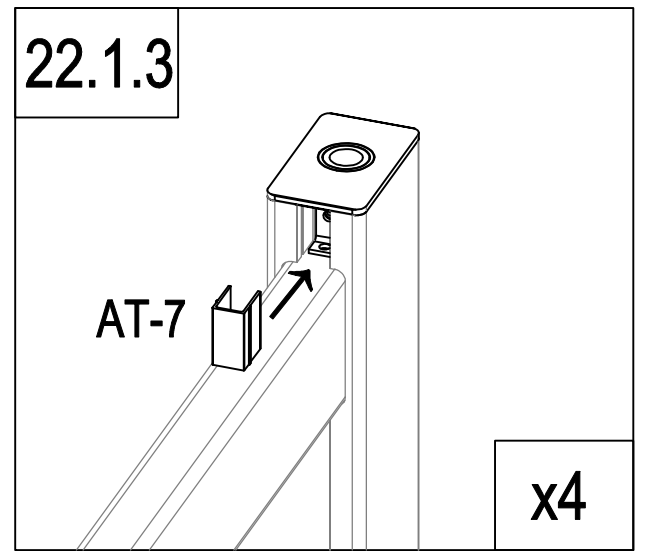
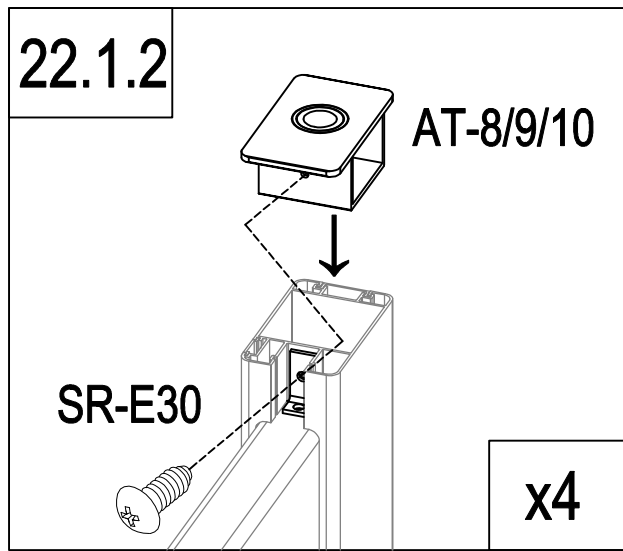
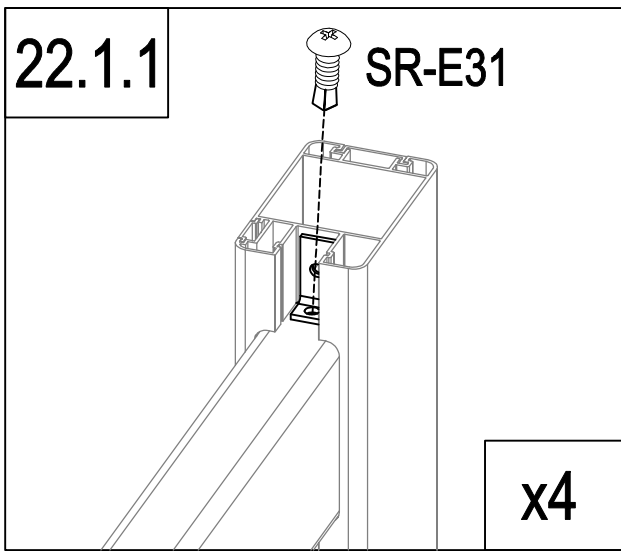
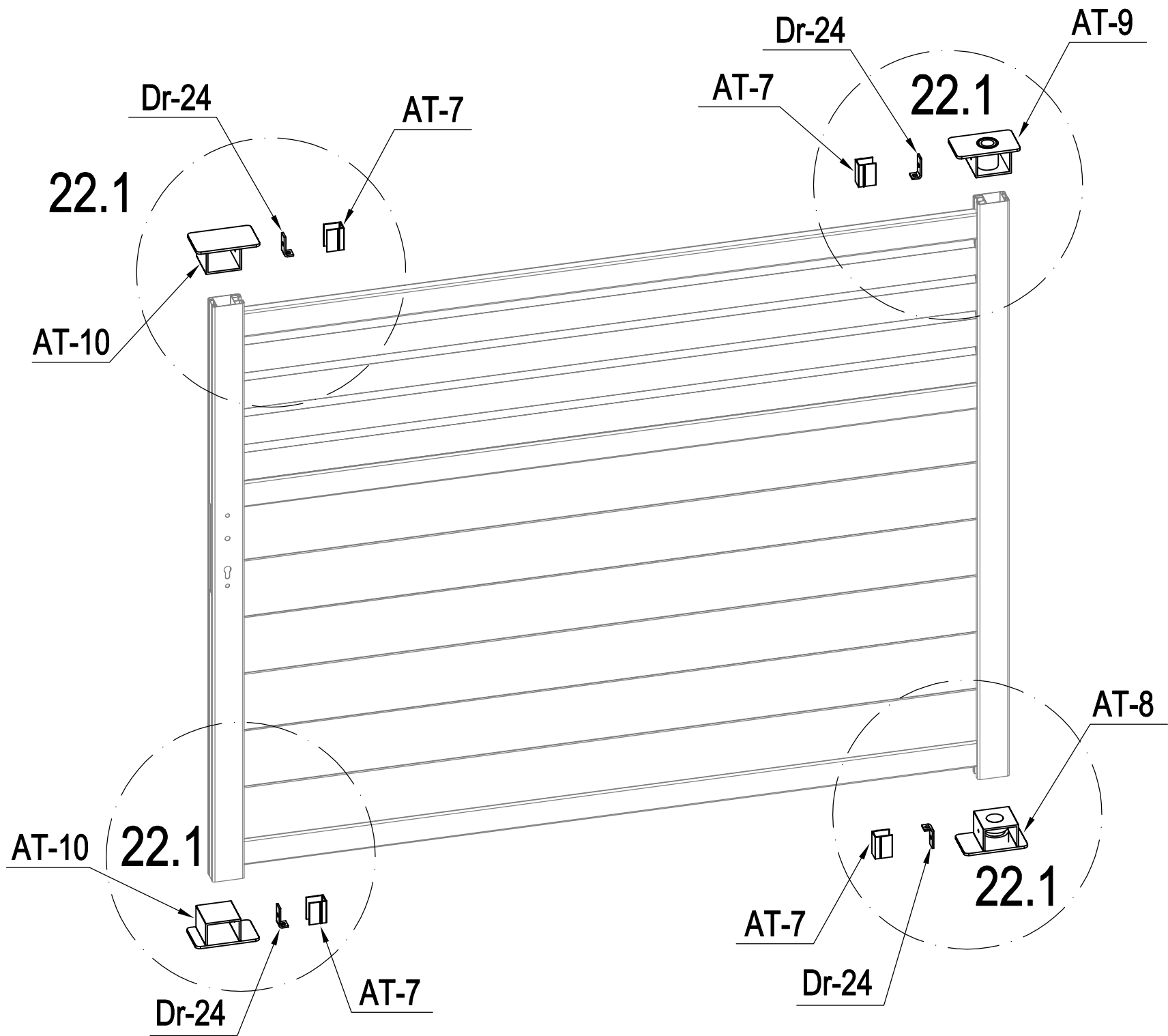


	AT-A11	2
---	--------	---



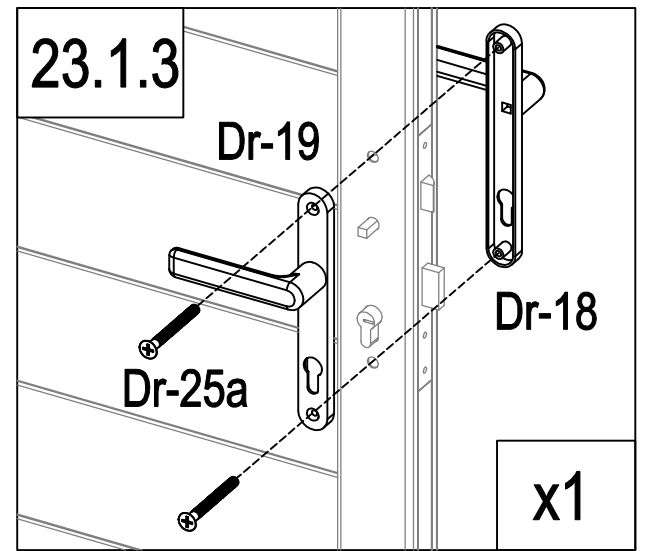
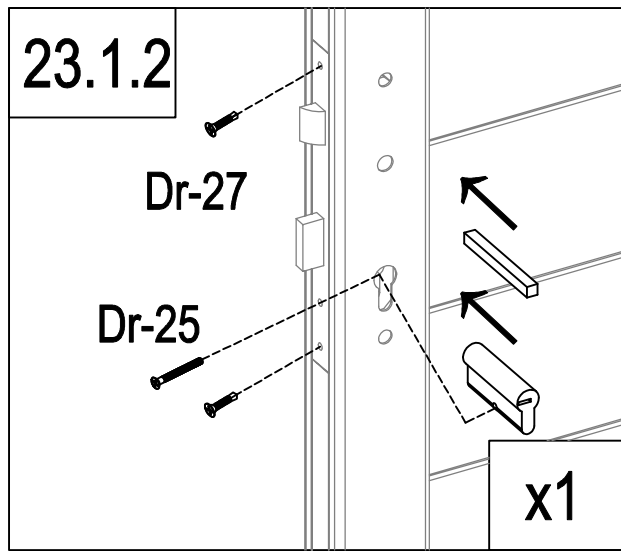
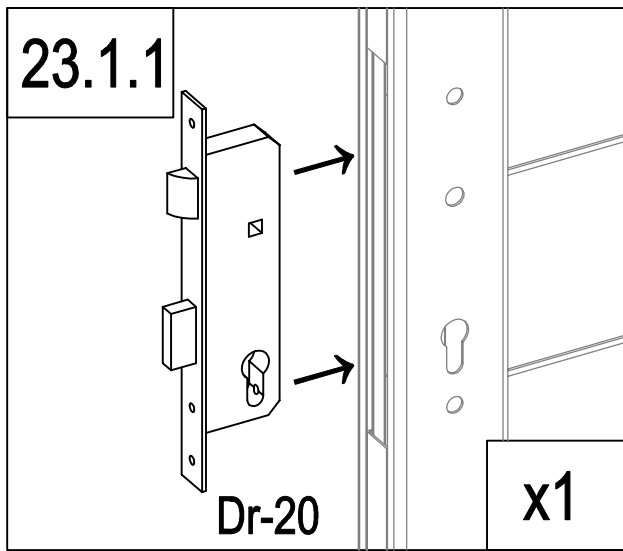
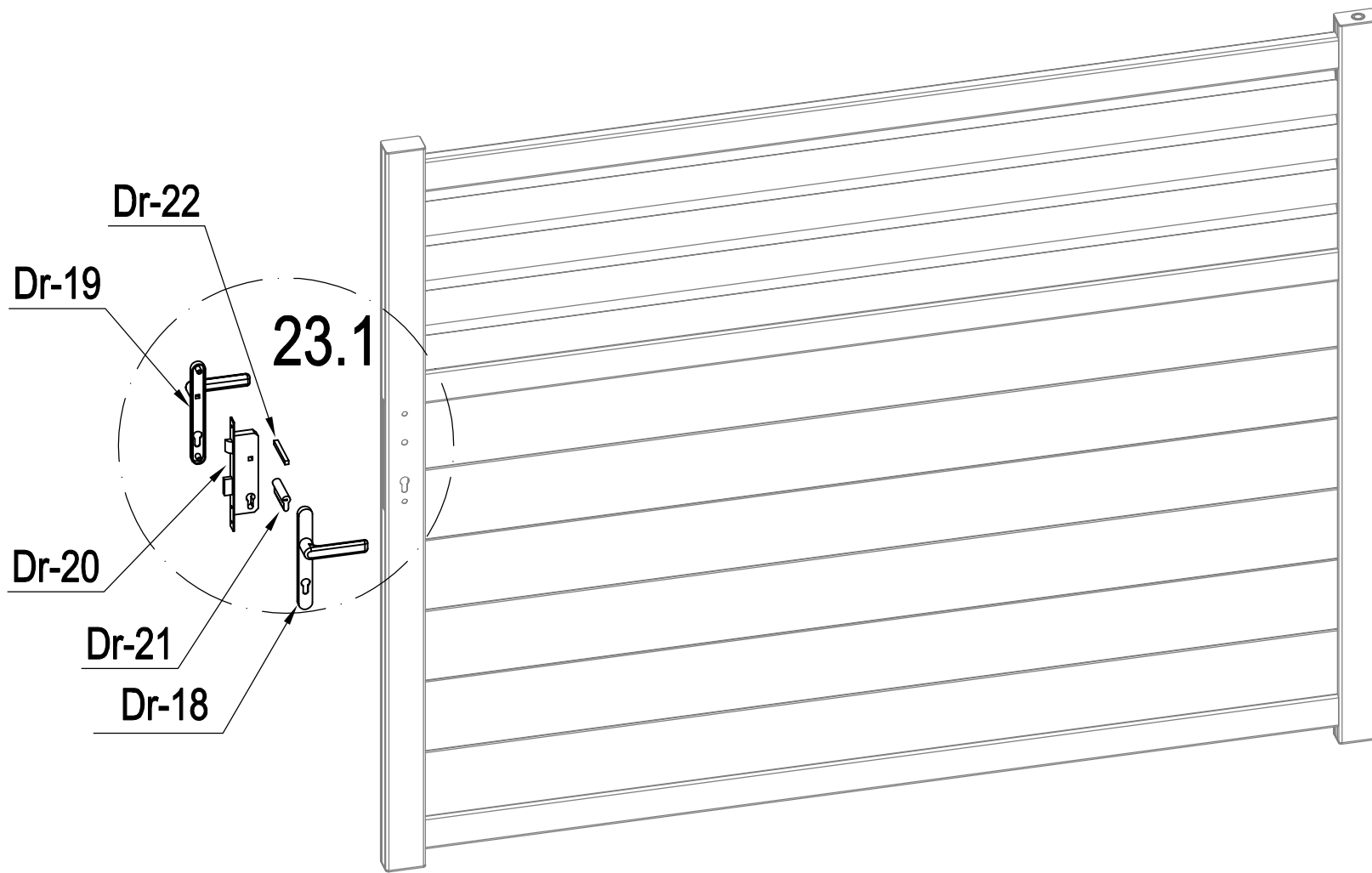
	AT-A5	1
	AT-B5a	1
	SR-A5a	1





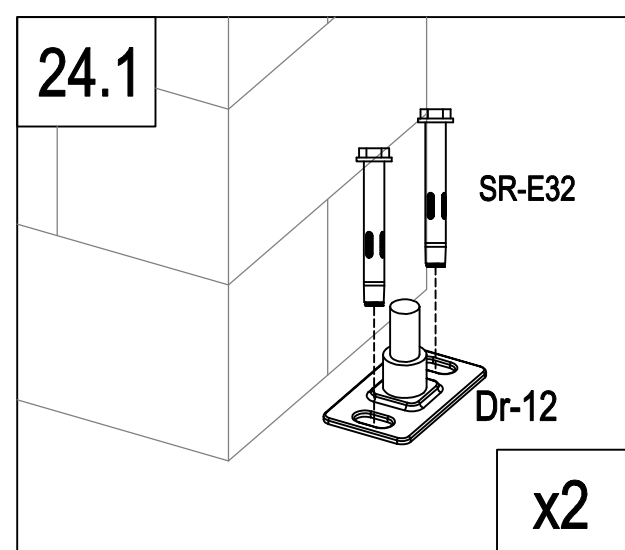
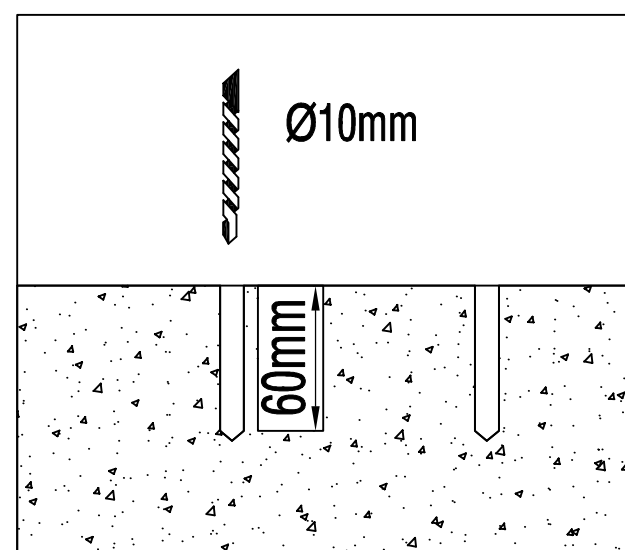
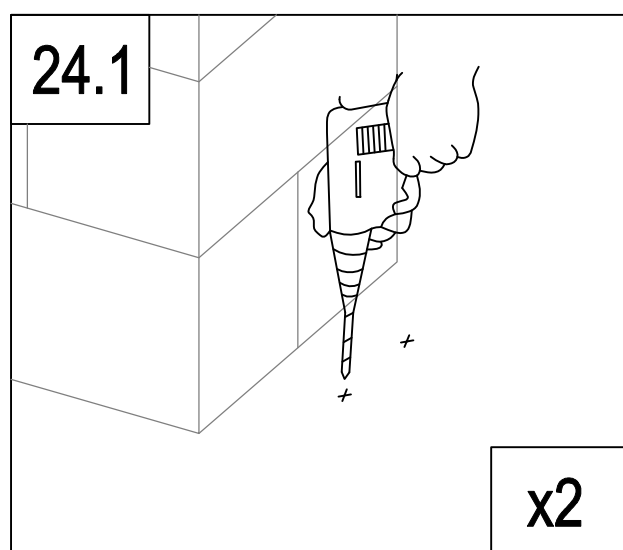
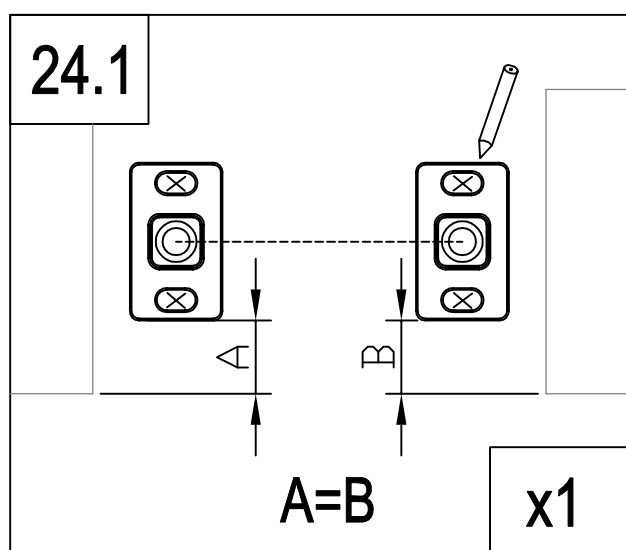
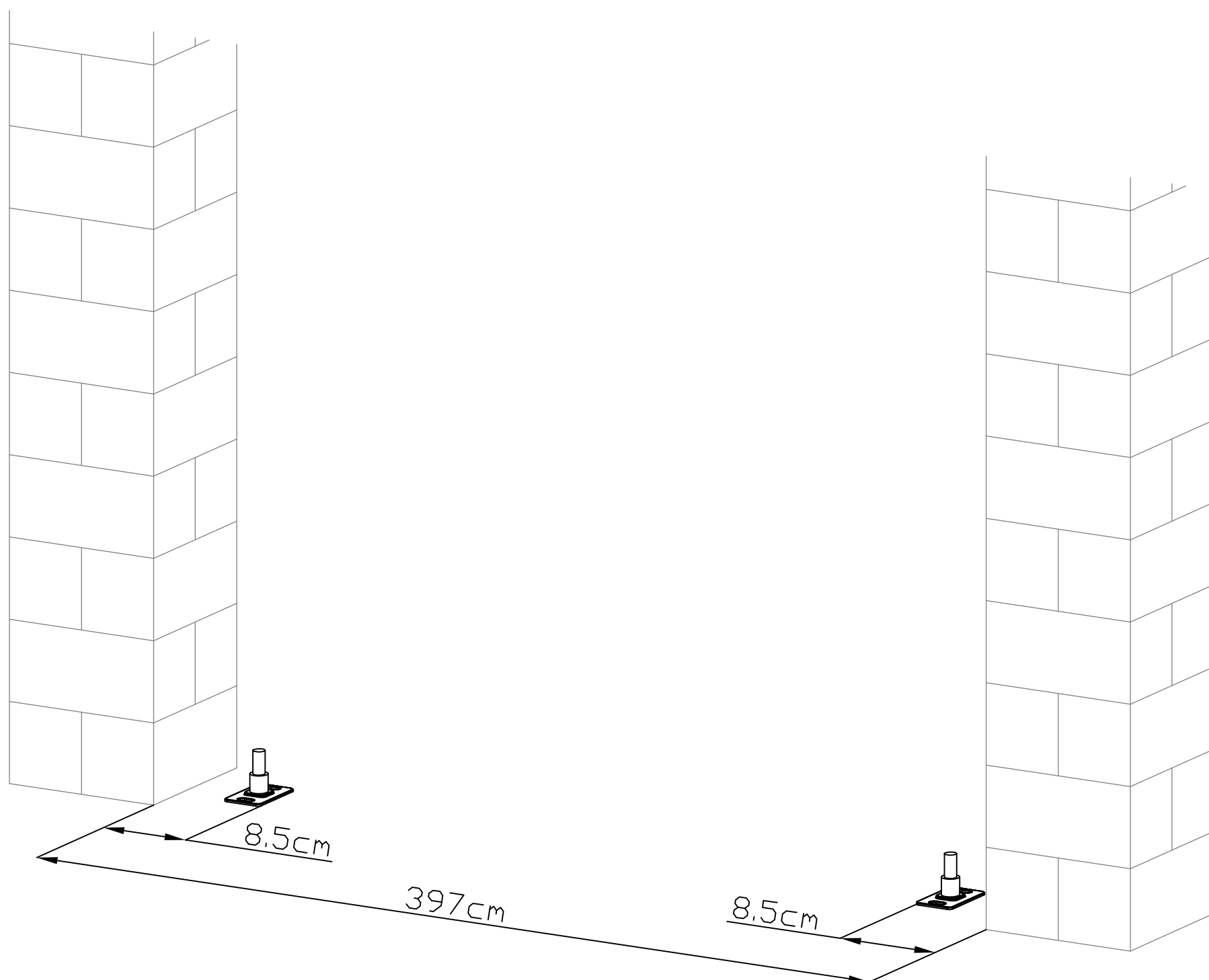
	AT-8	1
	AT-9	1
	AT-10	2
	Dr-24	4

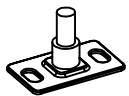

	AT-7	4
	SR-E30	4
	SR-E31	4

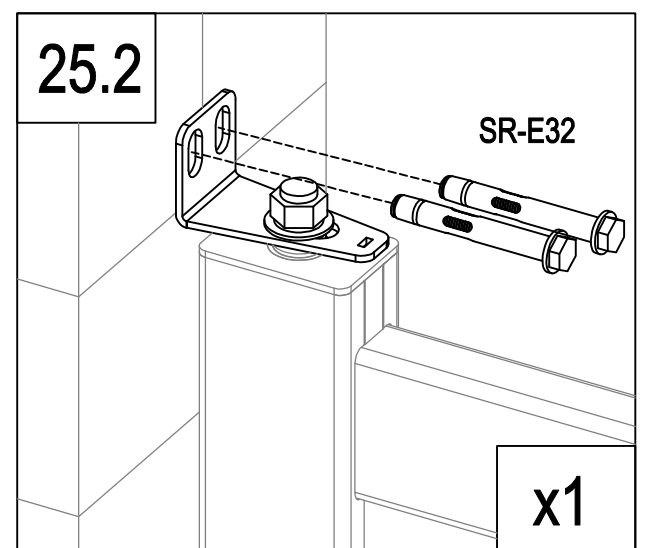
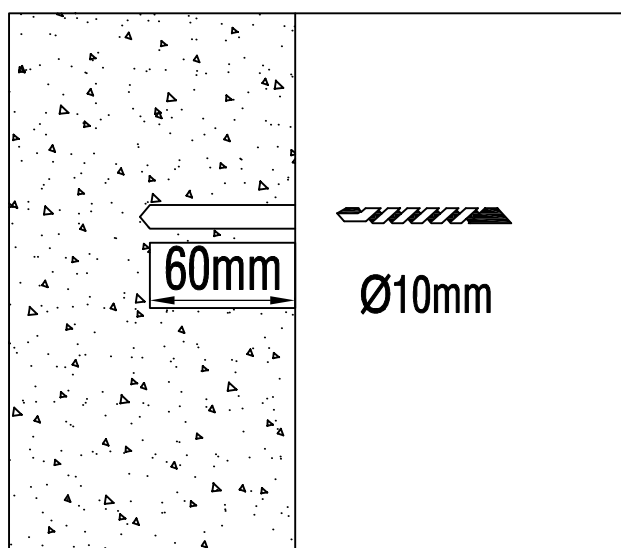
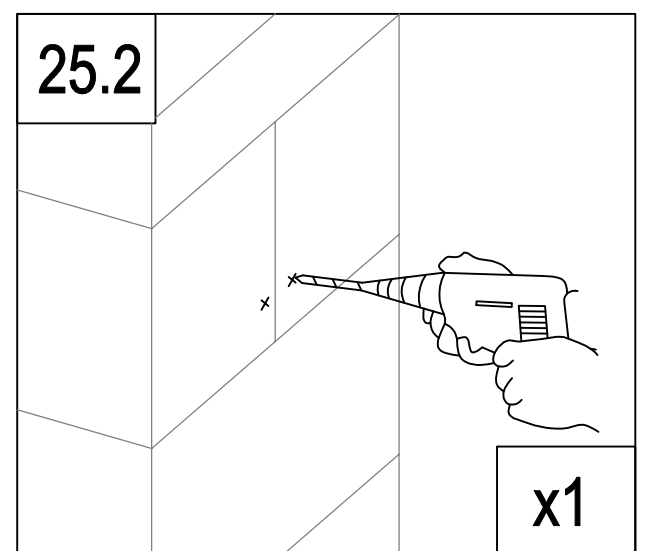
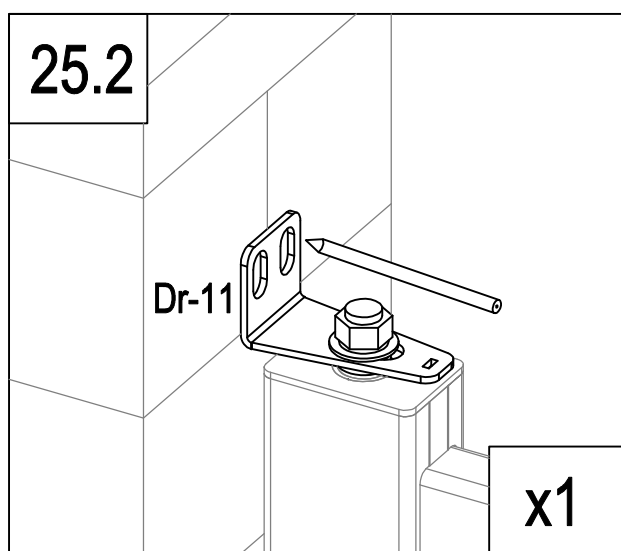
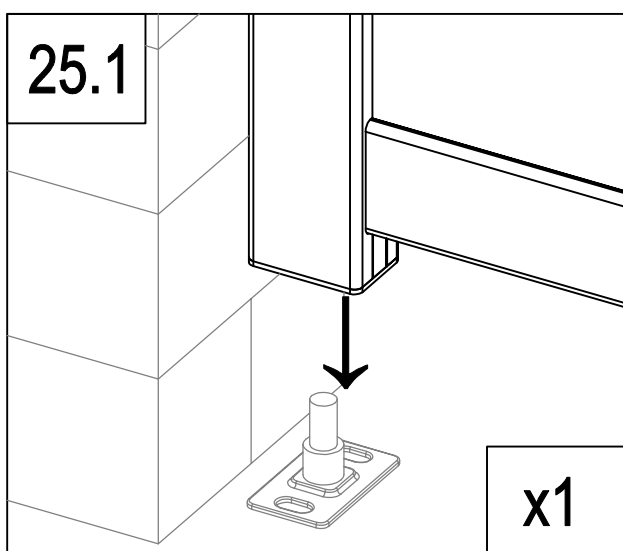
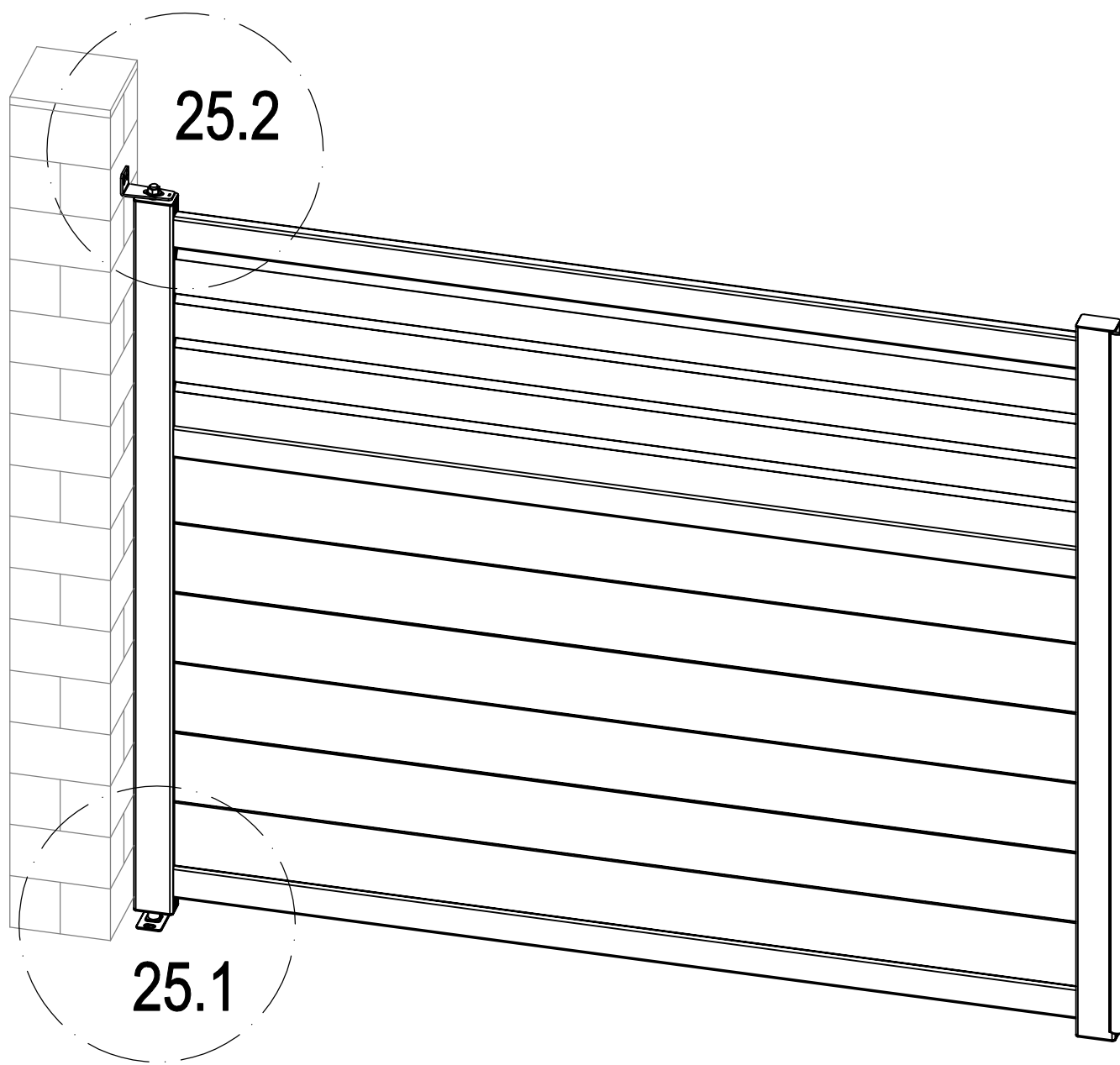


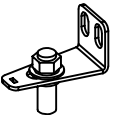

	Dr-20	1
	Dr-21	1
	Dr-22	1
	Dr-25	1

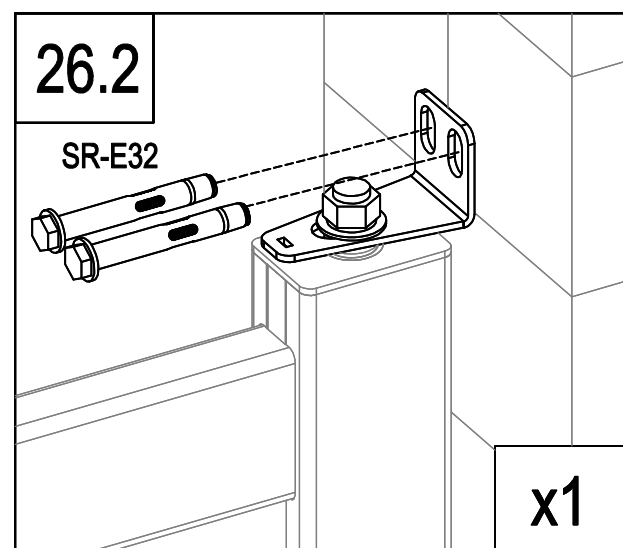
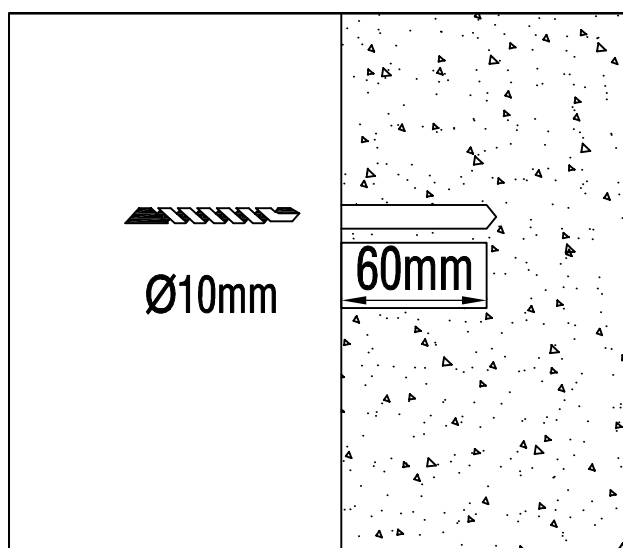
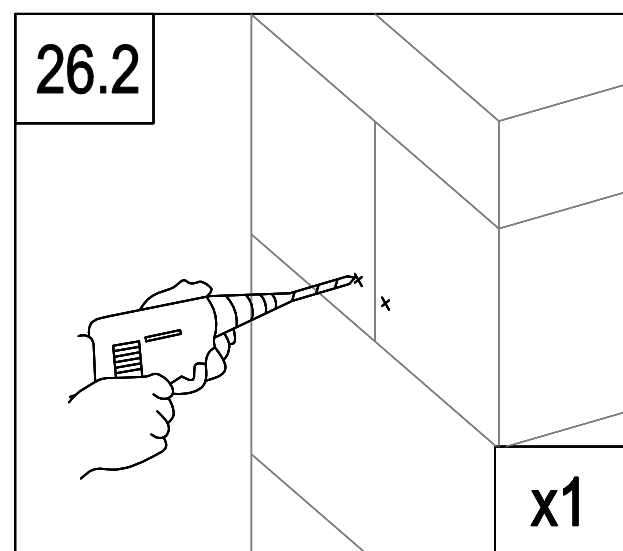
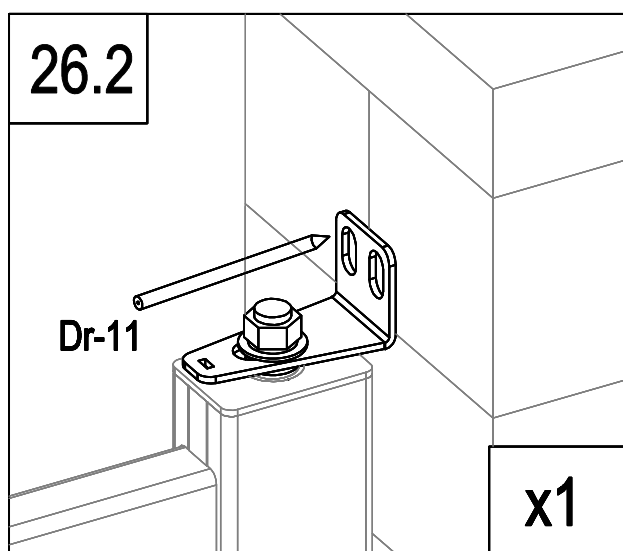
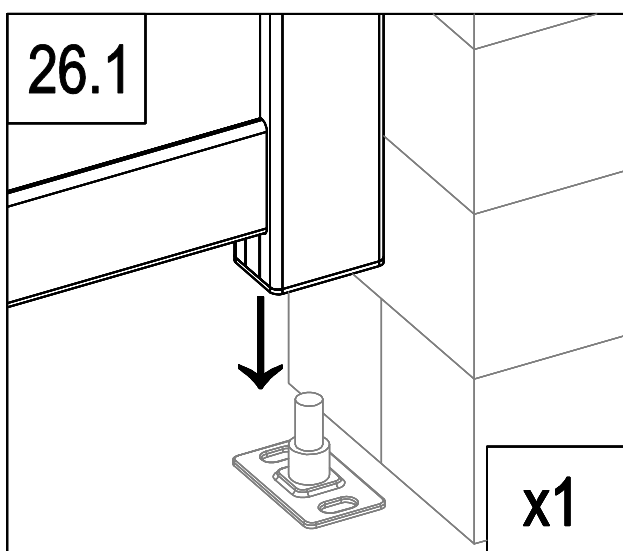
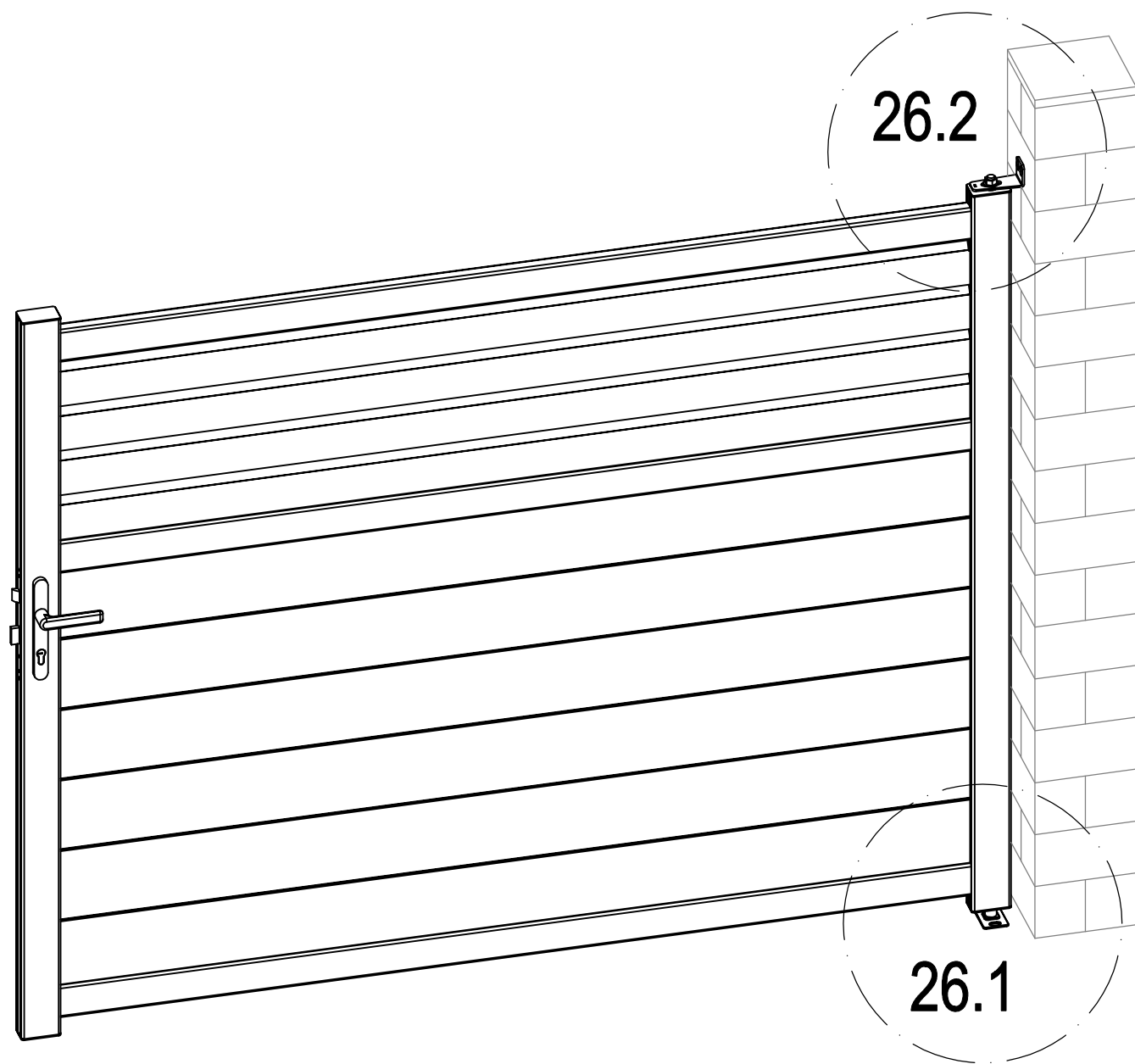
	Dr-18	1
	Dr-19	1
	Dr-25a	2
	Dr-27	2

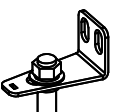



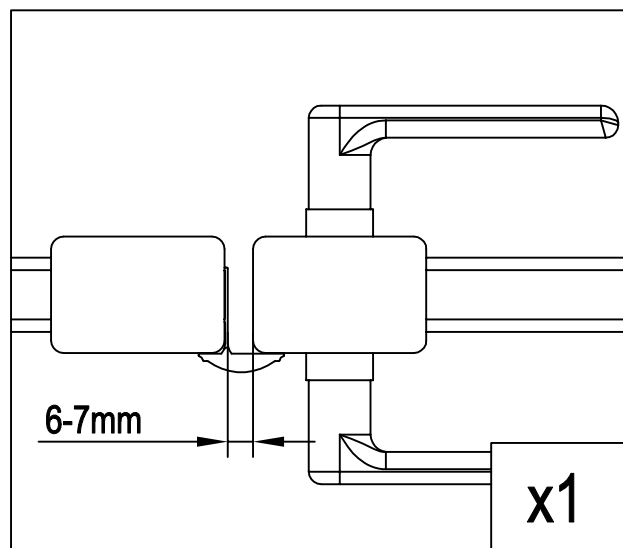
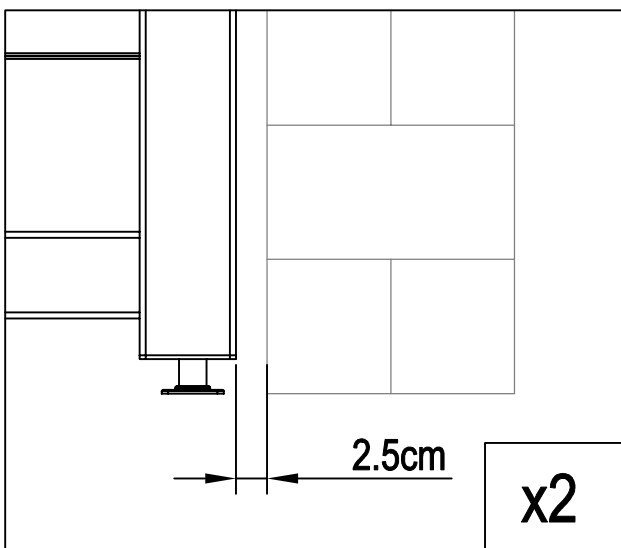
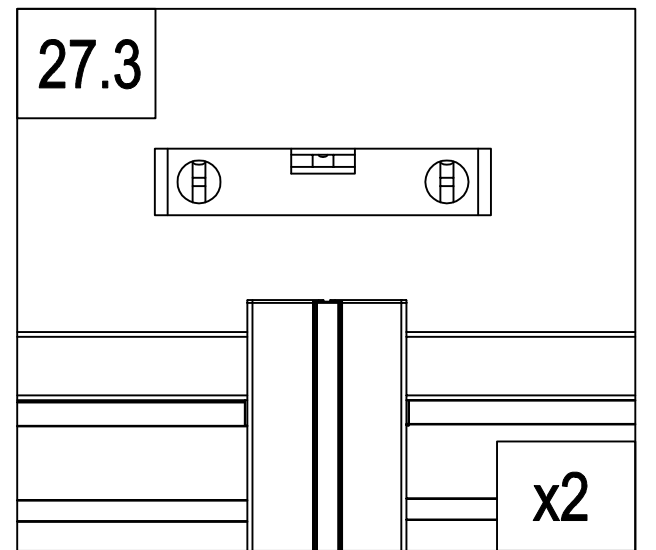
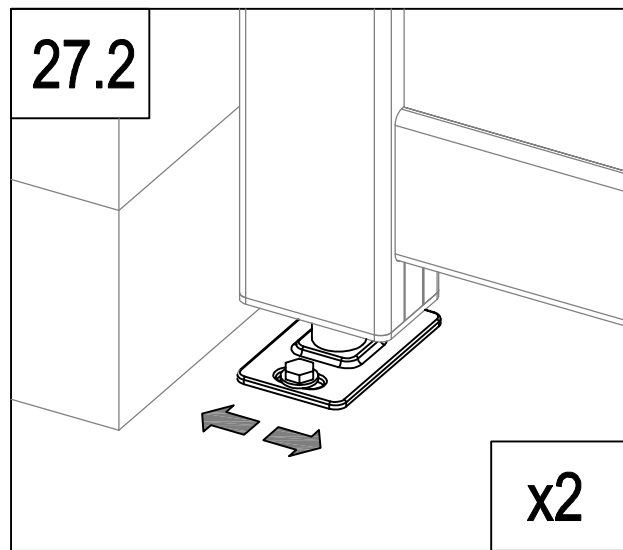
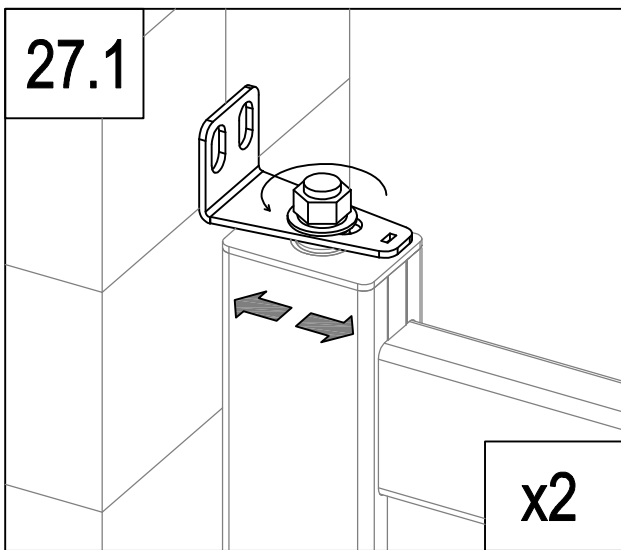
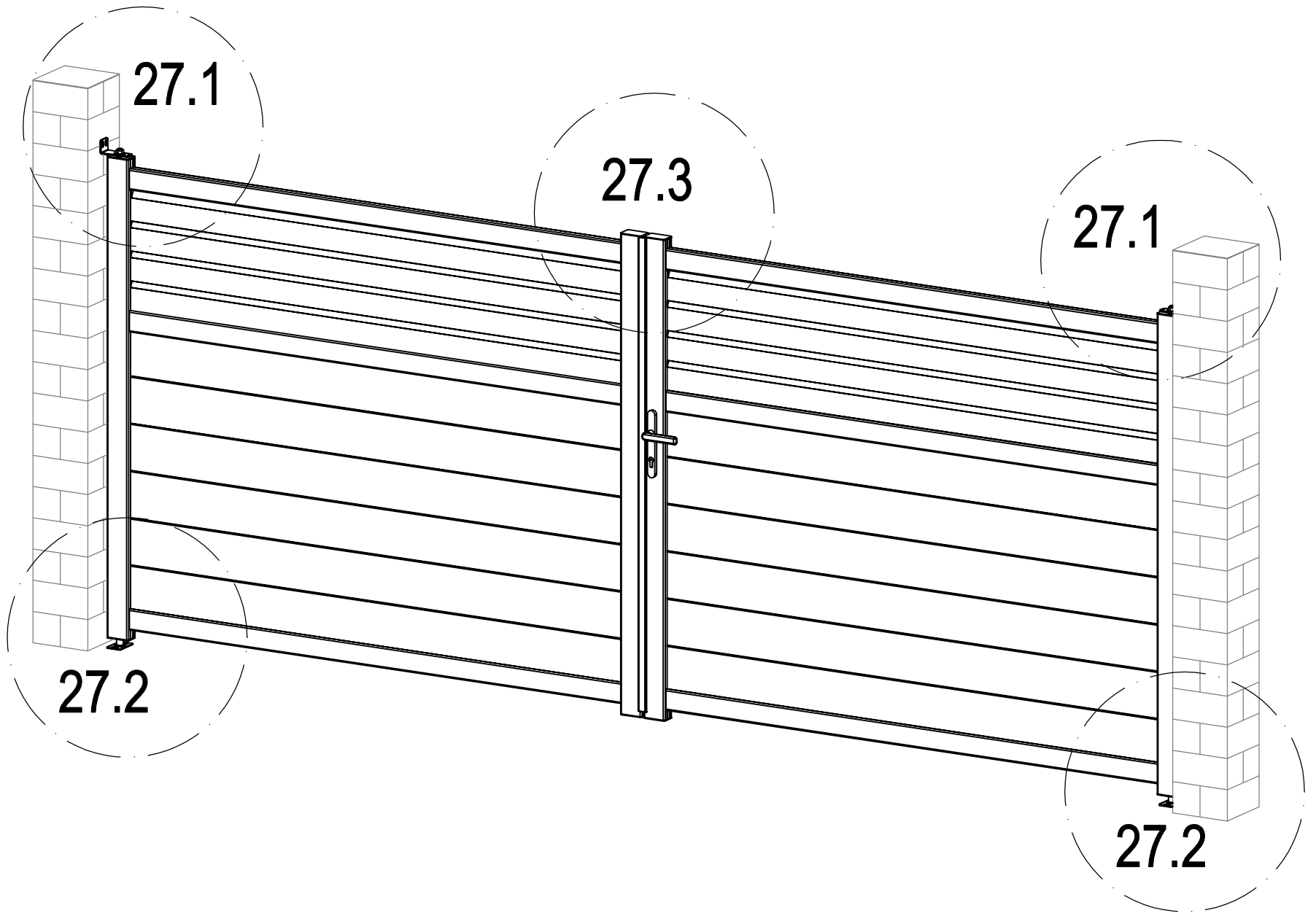
	Dr-12	2
	SR-E32	4

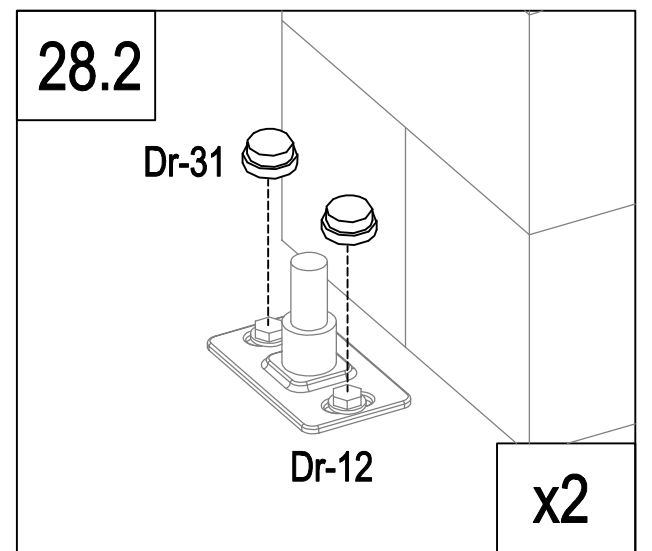
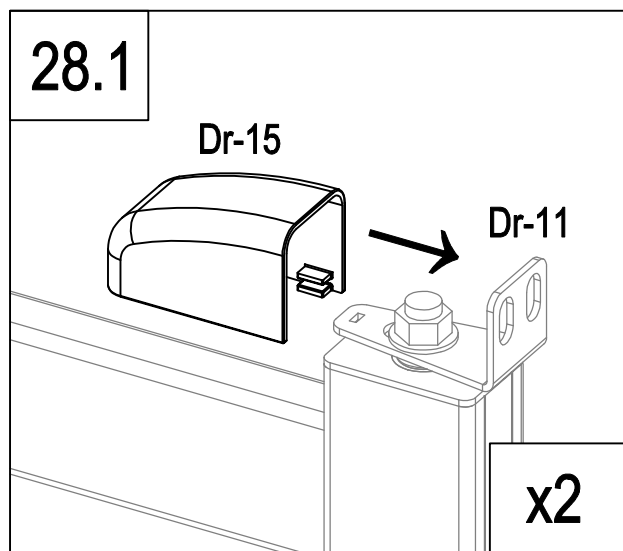
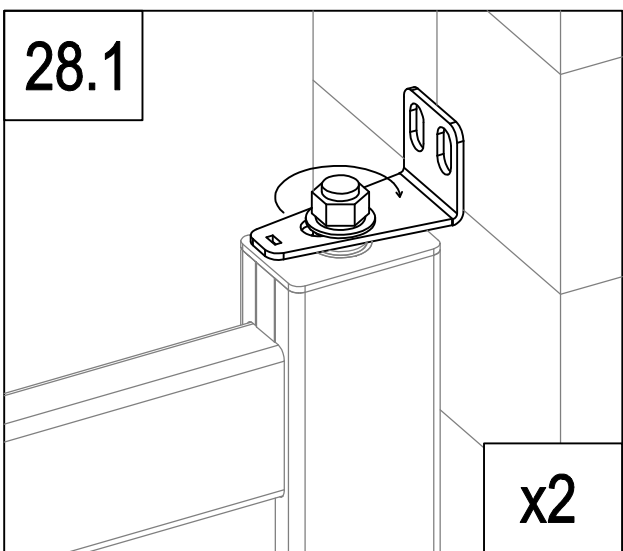
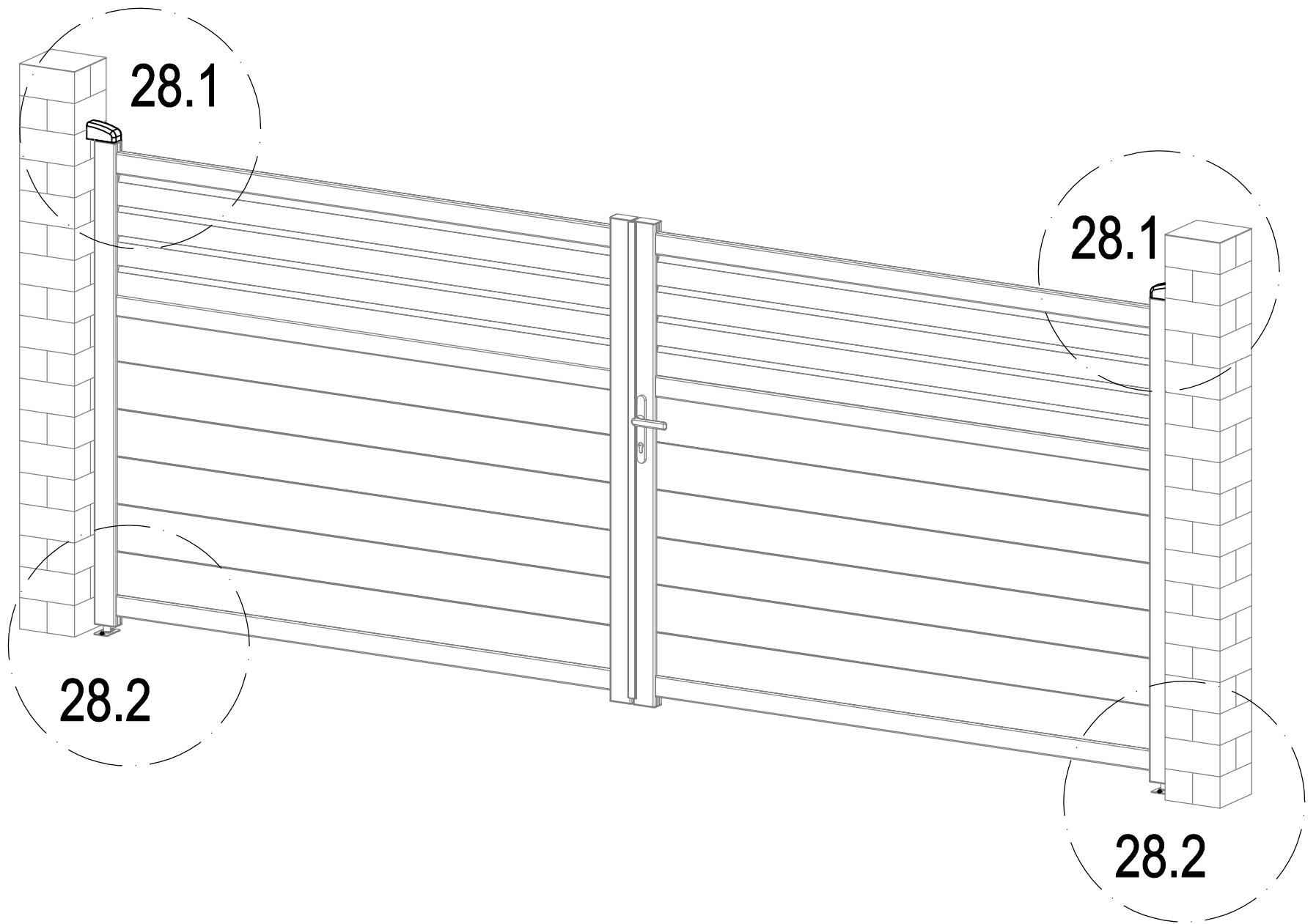


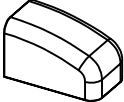

	Dr-11	1
	SR-E32	2

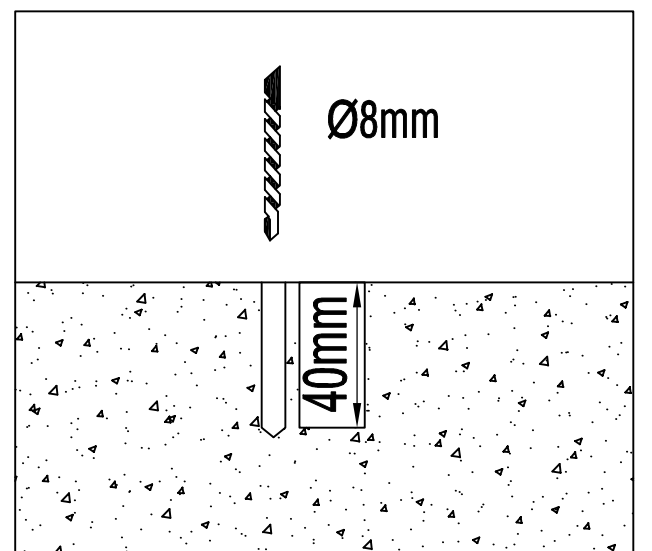
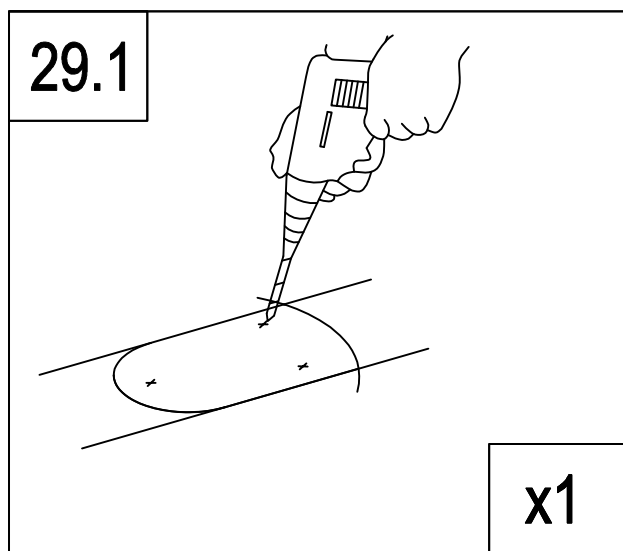
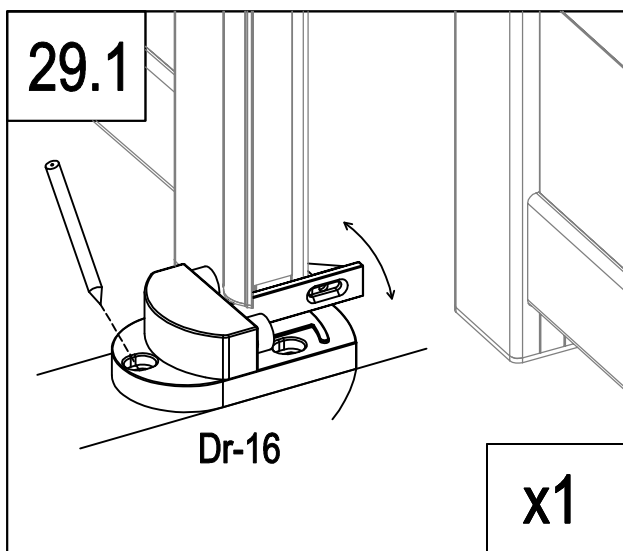
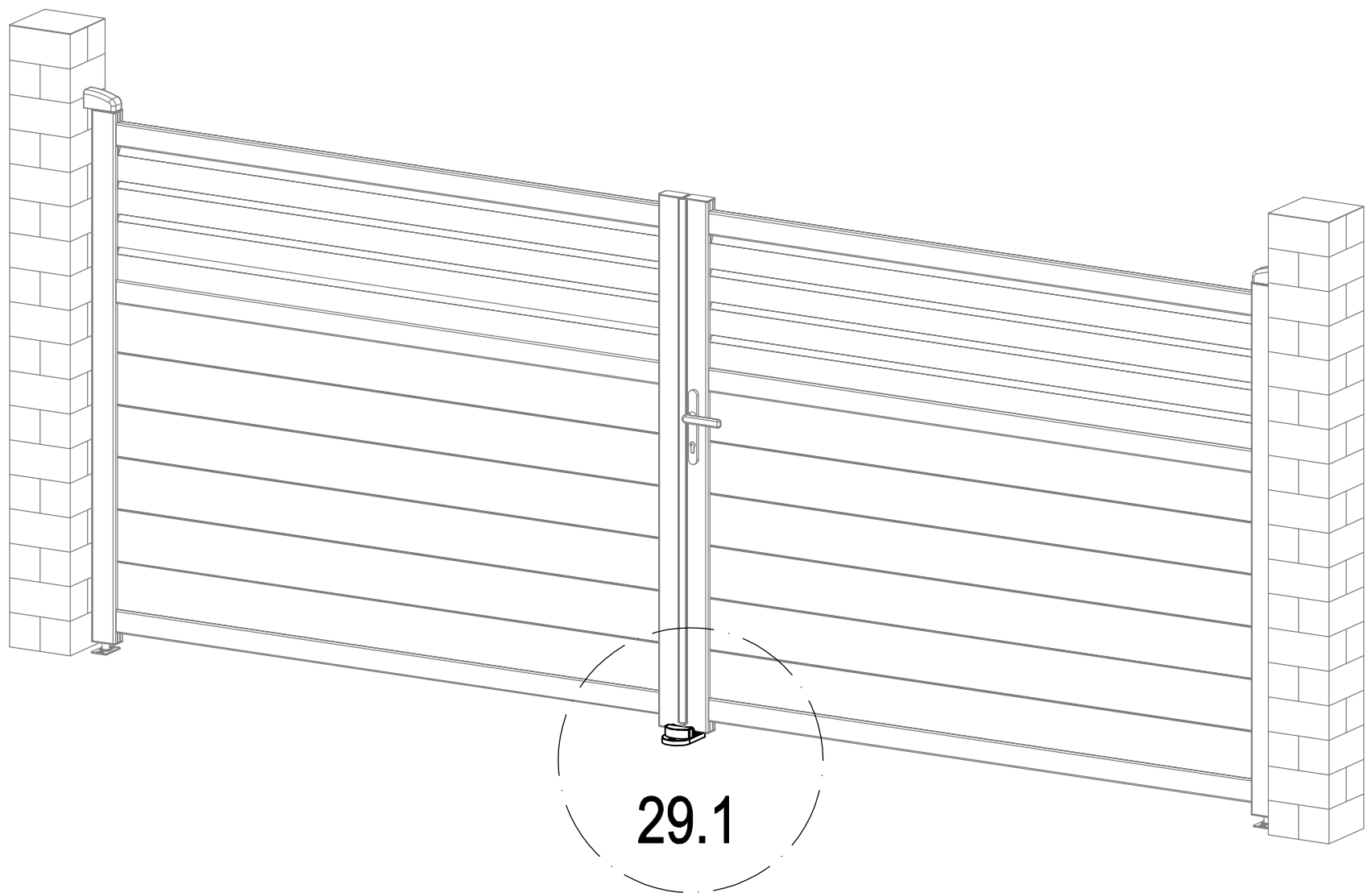


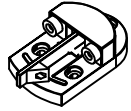


	Dr-11	1
	SR-E32	2

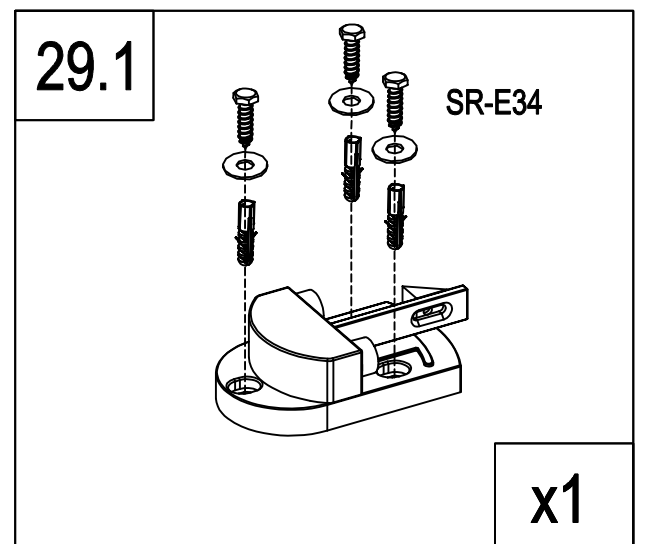


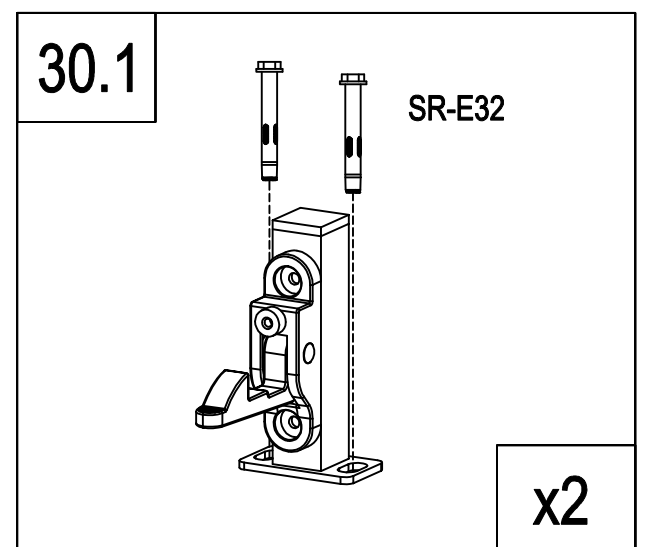
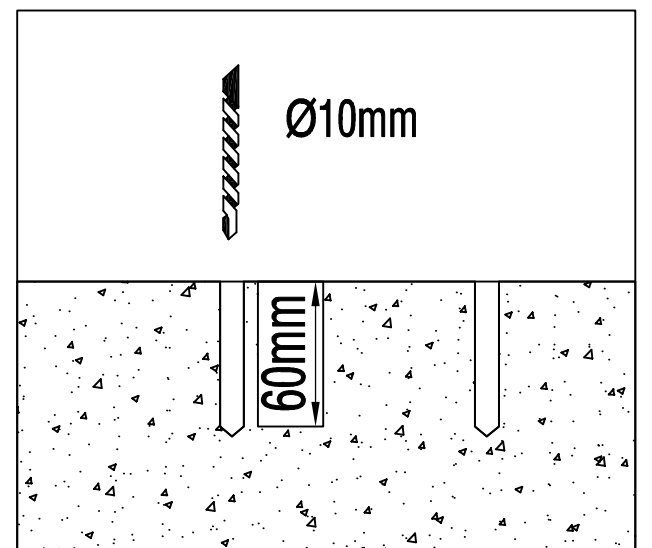
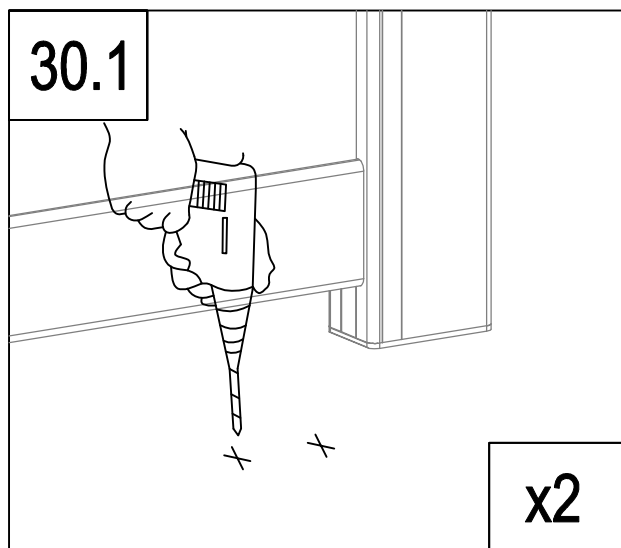
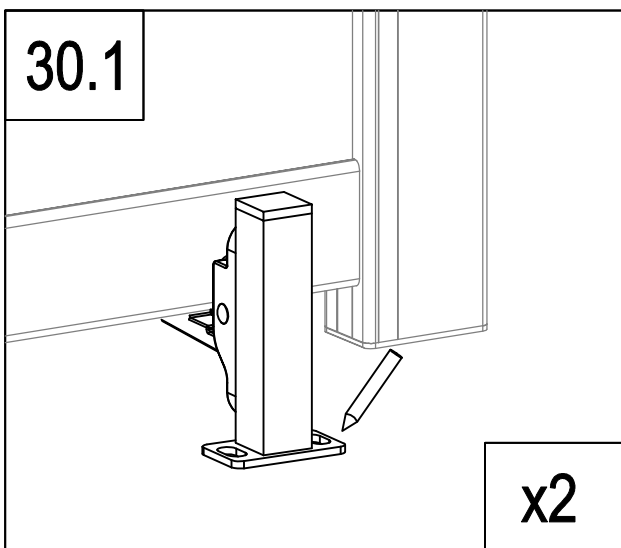
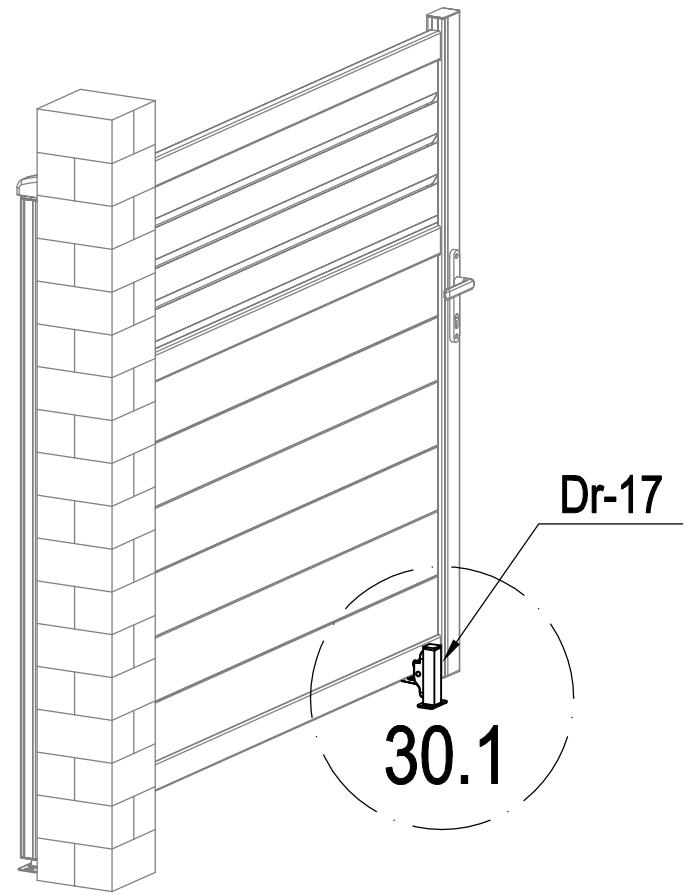
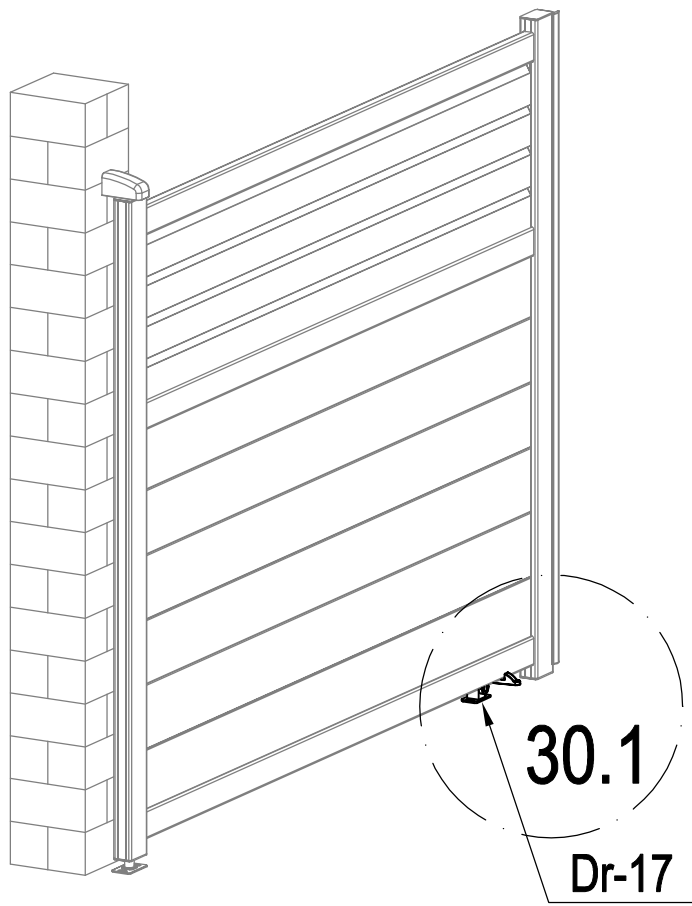



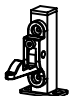
	Dr-15	2
	Dr-31	4



	Dr-16	1
	SR-E34	3
	SR-E35	3





	SR-E32	4
	Dr-17	2